

## Proportional-pressure regulators VEAB

**FESTO**



## Key features



### Innovative

- Silent operation
- Very low power consumption
- Extremely precise
- Short switching times
- Piezo technology

### Flexible

- In-line valves
- Sub-base valves
- Simple electrical and pneumatic interfaces
- Choice of different setpoint specifications
  - Current input
  - Voltage input

### Operational safety

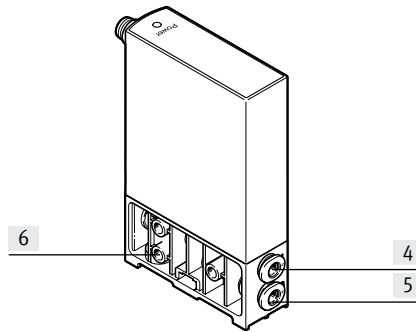
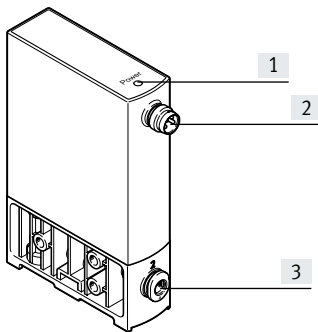
- Integrated pressure sensor with separate output
- Diagnostics
  - Operating voltage: over- and undervoltage
  - Setpoint value: falling below and exceeding
- Consistent pressure regulation performance with long-term stability
- Long service life

### Easy to install

- Mounting the in-line valve via three lateral through-holes
- Secure wall mounting or H-rail mounting

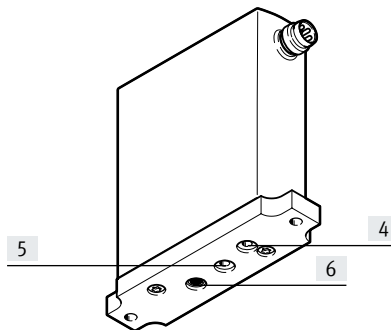
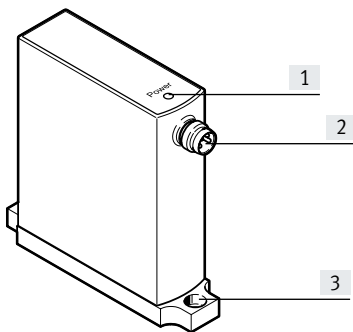
## Key features – Display and operation

### In-line valve



- [1] Power LED (green), fault LED (red)
- [2] Electrical connection, M8 plug
- [3] Port 2, working air
- [4] Port 1, compressed air
- [5] Port 3, exhaust air
- [6] Through-holes for mounting the valve

### Sub-base valve

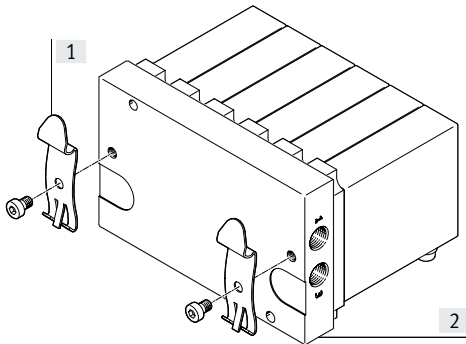


- [1] Power LED (green), fault LED (red)
- [2] Electrical connection, M8 plug
- [3] Through-holes for mounting the valve on the sub-base
- [4] Port 2, working air
- [5] Port 3, exhaust air
- [6] Port 1, compressed air

## Key features – Mounting

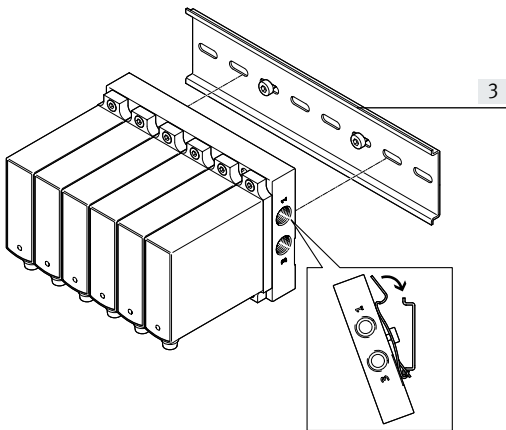
### Mounting the valve manifold assembly

#### H-rail mounting



- [1] H-rail mounting
- [2] Manifold rail

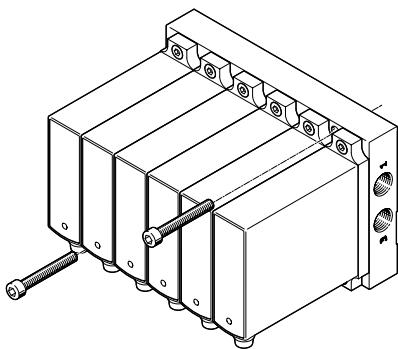
The H-rail mounting can be used to mount the manifold rail on H-rails in accordance with EN 60715.



- [3] H-rail

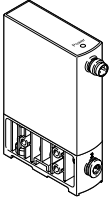
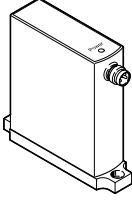
To do this, the manifold rail with the H-rail mounting is mounted on the H-rail and latched in place.

#### Wall mounting



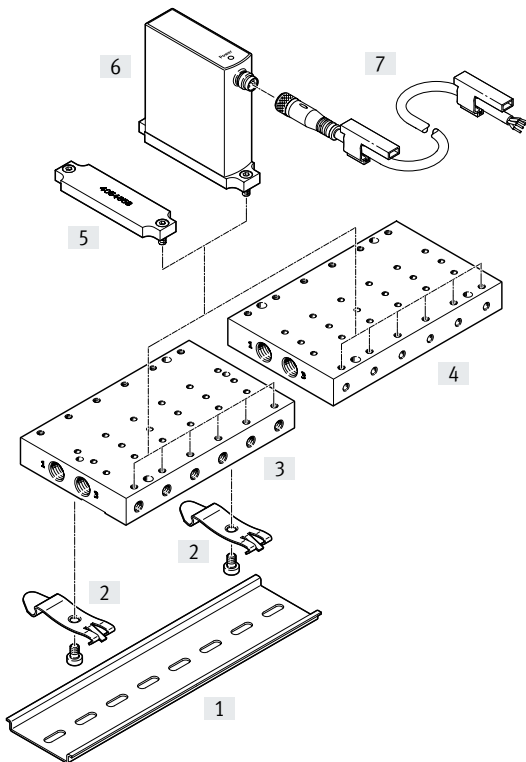
The manifold rail also has through-holes for wall mounting.

## Product range overview

Design	Valve function	Pneumatic port 1, 2, 3	Output pressure 2 (pressure regulation range) [kPa]	Setpoint value input			→ Page/Internet
				Voltage type		Current type	
				0 ... 5 V	0 ... 10 V	4 ... 20 mA	
Pressure regulator	<b>In-line valve</b>						
		3-way proportional-pressure regulator	Push-in connector	-100 ... -0.5 -100 ... 100 -100 ... 500 -50 ... 50 0.1 ... 20 0.5 ... 100 1 ... 200 3 ... 600 2.5 ... 500	■	■	■
Pressure regulator	<b>Sub-base valve</b>						
		3-way proportional-pressure regulator	Via manifold rail	-100 ... -0.5 -100 ... 100 -100 ... 500 -50 ... 50 0.1 ... 20 0.5 ... 100 1 ... 200 3 ... 600 2.5 ... 500	■	■	■

## Peripherals overview

### Valve manifold assembly VEAB




Type	Description	→ Page/Internet
[1]	H-rail NRH352000 For control cabinet installation	25
[2]	H-rail mounting VAME For mounting the H-rail	25
[3]	Manifold rail VABM-P7-G18M Connection direction at the side, for control cabinet installation	24
[4]	Manifold rail VABM-P7-G18MB Connection direction underneath, for wall mounting and control cabinet installation	24
[5]	Cover plate VABB –	24
[6]	Proportional-pressure regulator VEAB –	23
[7]	Connecting cable NEBU –	25

## Type codes


001	Series
<b>VEAB</b>	Proportional pressure regulator
002	Valve function
<b>26</b>	2x2/2-way valve, normally closed
003	Directional control valve type
<b>L</b>	In-line valve
<b>B</b>	Sub-base valve
004	Pressure range [bar]
<b>D9</b>	0 ... 6
<b>D2</b>	0 ... 2
<b>D15</b>	-0.5 ... 0.5
<b>D7</b>	0 ... 1
<b>D18</b>	-1 ... 5
<b>D25</b>	0 ... 5
<b>D14</b>	-1 ... 0
<b>D12</b>	0 ... 0.2
<b>D13</b>	-1 ... 1

005	Pneumatic connection
<b>Q4</b>	Push-in connector 4 mm
<b>F</b>	Flange/sub-base
006	Setpoint input for individual valves
<b>A4</b>	4 ... 20 mA
<b>V1</b>	0 ... 10 V
<b>V2</b>	0 ... 5 V
007	Nominal operating voltage
<b>1</b>	24 V DC
008	Electrical connection
<b>R1</b>	Individual connector M8, 4-pin

Datasheet

-  - Flow rate  
4.5 ... 20 l/min


-  - Voltage  
24 V DC

-  - Output pressure 2 (pressure regulation range)  
-100 ... -0.5 kPa  
0.1 ... 20 kPa  
0.5 ... 100 kPa  
1 ... 200 kPa  
2.5 ... 500 kPa  
3 ... 600 kPa  
-100 ... 100 kPa  
-100 ... 500 kPa  
-50 ... 50 kPa



General technical data			
Type		VEAB-L	VEAB-B
Valve type		In-line valve	Sub-base valve
Valve function		3-way proportional-pressure regulator	
Dimensions W x L x H	[mm]	18 x 60.5 x 85	18 x 67 x 66
Standard nominal flow rate		→ Page 11	
Pneumatic port 1, 2, 3		Push-in connector 4 mm	Flange/via sub-base
Sealing principle		Soft	
Actuation type		Electrical	
Display type		LED	
Type of control		Direct	
Reset method		Mechanical spring	
Type of mounting		Optionally with through-hole, with accessories	
Mounting position		Any	
Product weight	[g]	70	

Electrical data			
Electrical connection			Plug, M8x1, 4-pin, to EN 60947-5-2
Nominal operating voltage	[V DC]		24
Operating voltage range	[V DC]		19 ... 29
Residual ripple	[%]		10
Max. electrical power consumption	[W]		1
Setpoint input signal	Voltage type	[V DC]	0 ... 10 0 ... 5
	Current type	[mA]	4 ... 20
Analogue output signal range (actual value)	Voltage type	[V DC]	0 ... 10 1 ... 5
	Current type	[mA]	4 ... 20
Accuracy of analogue output	[%]		2
Short circuit current rating			For all electrical connections
Reverse polarity protection			For all electrical connections
Degree of protection			IP65

-  - **Note**  
Safety position VEAB:  
If the electrical power supply fails, the output pressure will be unregulated and may rise or fall – valve blocked.



## Datasheet

<b>Operating and environmental conditions</b>					
Output pressure 2 (pressure regulation range)	[kPa]	-100 ... -0.5	-100 ... 100	-100 ... 500	-50 ... 50
	[bar]	-1 ... -0.005	-1 ... 1	-1 ... 5	-0.5 ... 0.5
	[psi]	-14.5 ... -0.0725	-14.5 ... 14.5	-14.5 ... 72.5	-7.25 ... 7.25
Operating medium	Compressed air to ISO 8573-1:2010 [7:4:4] Inert gases				
Note on the operating/pilot medium	Lubricated operation not possible				
Input pressure at port 1	[MPa]	0.1	0 ... 0.2	0 ... 0.55	0 ... 0.2
	[bar]	1	0 ... 2	0 ... 5.5	0 ... 2
	[psi]	14.5	0 ... 29	0 ... 79.75	0 ... 29
Input pressure at port 3	[MPa]	-0.1	-0.1	-0.1	-0.1
	[bar]	-1	-1	-1	-1
	[psi]	-14.5	-14.5	-14.5	-14.5
Hysteresis FS (full scale)	[%]	0.25	0.25	0.25	0.25
Linearity error FS (full scale)	[%]	0.5	0.5	0.5	0.5
Repetition accuracy FS (full scale)	[%]	0.4			
Absolute accuracy at room temperature FS (full scale)	[%]	0.75	0.75	0.75	0.75
Accuracy of analogue output FS (full scale)	[%]	2			
Temperature coefficient	[%/K]	0.05			
Ambient temperature	[°C]	0 ... 50			
Temperature of medium	[°C]	5 ... 50			
Storage temperature	[°C]	-20 ... +70			
Corrosion resistance class CRC <sup>1)</sup>		2			
CE marking (see declaration of conformity)	To EU EMC Directive <sup>2)</sup>				
	To EU RoHS Directive <sup>2)</sup>				
UKCA marking (see declaration of conformity)	To UK instructions for EMC <sup>2)</sup>				
	To UK RoHS instructions <sup>2)</sup>				
Certification	RCM				

1) More information: [www.festo.com/x/topic/kbk](http://www.festo.com/x/topic/kbk)

2) For information about the area of use, see the EC declaration of conformity at: [www.festo.com/catalogue/...](http://www.festo.com/catalogue/...) → Support/Downloads.

If the devices are subject to usage restrictions in residential, commercial or light-industrial environments, further measures for the reduction of the emitted interference may be necessary.

<b>Operating and environmental conditions</b>						
Output pressure 2 (pressure regulation range)	[kPa]	0.5 ... 100	0.1 ... 20	1 ... 200	2.5 ... 500	3 ... 600
	[bar]	0.005 ... 1	0.001 ... 0.2	0.01 ... 2	0.025 ... 5	0.03 ... 6
	[psi]	0.0725 ... 14.5	0.0145 ... 2.9	0.145 ... 29	0.3625 ... 72.5	0.435 ... 87
Operating medium	Compressed air to ISO 8573-1:2010 [7:4:4] Inert gases					
Note on the operating/pilot medium	Lubricated operation not possible					
Input pressure at port 1	[MPa]	0 ... 0.3	0 ... 0.1	0 ... 0.4	0 ... 0.55	0 ... 0.65
	[bar]	0 ... 3	0 ... 1	0 ... 4	0 ... 5.5	0 ... 6.5
	[psi]	0 ... 43.5	0 ... 14.5	0 ... 58	0 ... 79.75	0 ... 94.25
Hysteresis FS (full scale)	[%]	0.25	0.25	0.5	0.25	0.25
Linearity error FS (full scale)	[%]	0.5	0.5	0.8	0.5	0.5
Repetition accuracy FS (full scale)	[%]	0.4				
Absolute accuracy at room temperature FS (full scale)	[%]	0.75	0.75	0.8	0.75	0.75
Accuracy of analogue output FS (full scale)	[%]	2				
Temperature coefficient	[%/K]	0.05				
Ambient temperature	[°C]	0 ... 50				
Temperature of medium	[°C]	5 ... 50				
Storage temperature	[°C]	-20 ... +70				
Corrosion resistance class CRC <sup>1)</sup>		2				
CE marking (see declaration of conformity)	To EU EMC Directive <sup>2)</sup>					
	To EU RoHS Directive <sup>2)</sup>					
Certification	RCM					

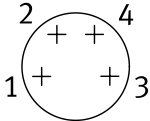
1) More information: [www.festo.com/x/topic/kbk](http://www.festo.com/x/topic/kbk)

2) For information about the area of use, see the EC declaration of conformity at: [www.festo.com/catalogue/...](http://www.festo.com/catalogue/...) → Support/Downloads.

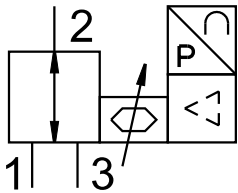
If the devices are subject to usage restrictions in residential, commercial or light-industrial environments, further measures for the reduction of the emitted interference may be necessary.

## Datasheet

Materials	
Seals	NBR
Housing	PA-reinforced
Note on materials	RoHS-compliant
PWIS conformity	VDMA24364 zone III

Pin allocation		
	Pin	Function
	1	+24 V DC supply voltage
	2	+ setpoint value
	3	GND
	4	+ actual value

### Function



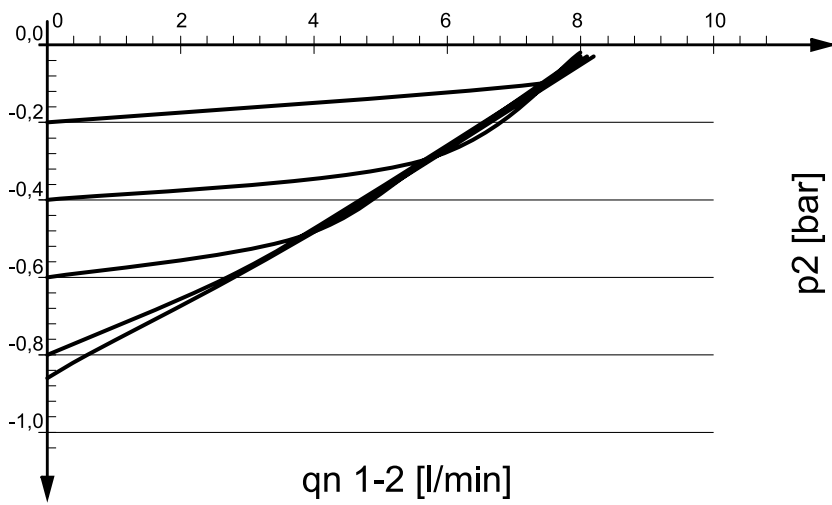
An integrated pressure sensor records the pressure at the working port and compares this value with the setpoint value.

The pressure is automatically readjusted in the event of deviations.

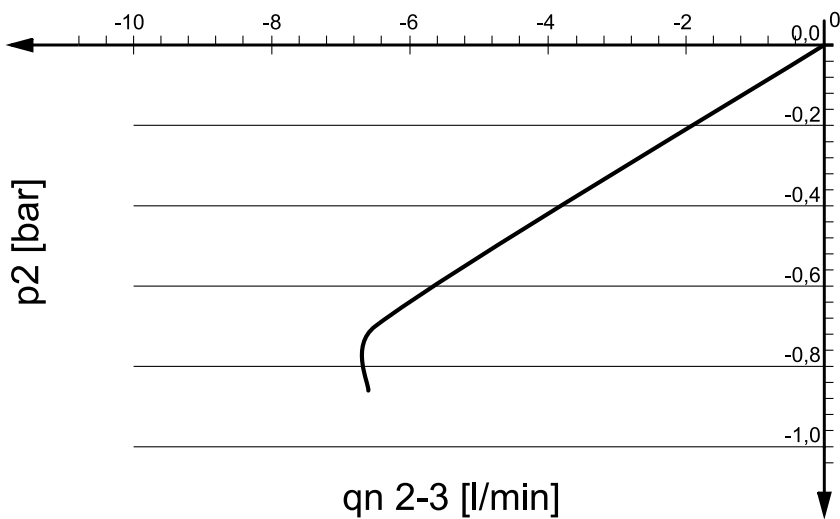
## Datasheet

VEAB-...-D14-..., output pressure 2 (pressure regulation range) -1 ... -0.005 bar

Flow rate  $q_n$  from 1 → 2 as a function of output pressure  $p_2$



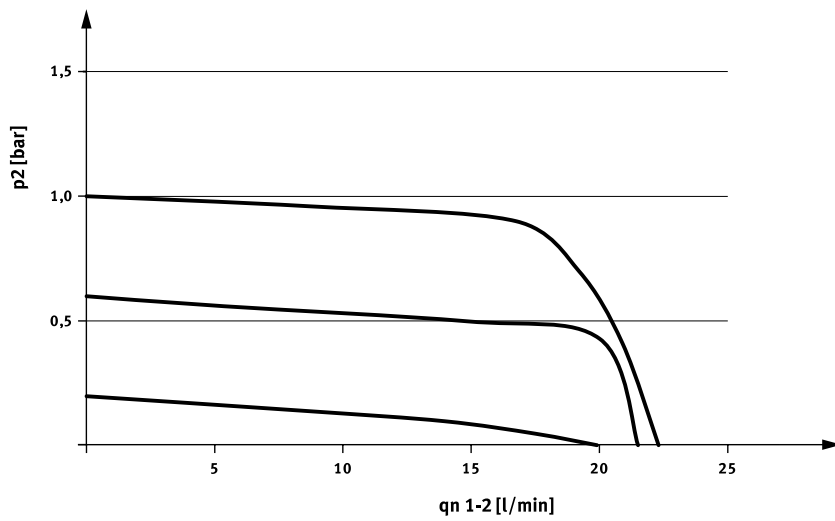
Flow rate  $q_n$  from 2 → 3 as a function of output pressure  $p_2$



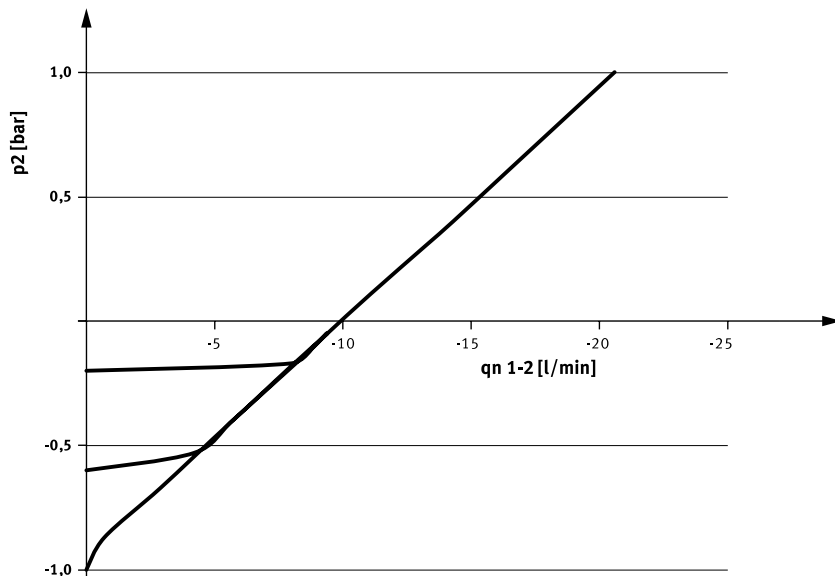
Datasheet

VEAB-...-D13-..., output pressure 2 (pressure regulation range) -1 ... 1 bar

Flow rate  $q_n$  from 1 → 2 as a function of output pressure  $p_2$

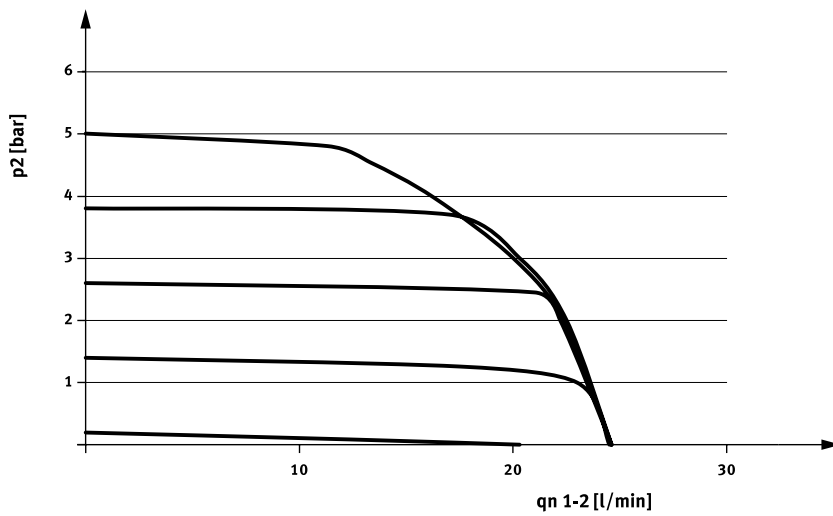
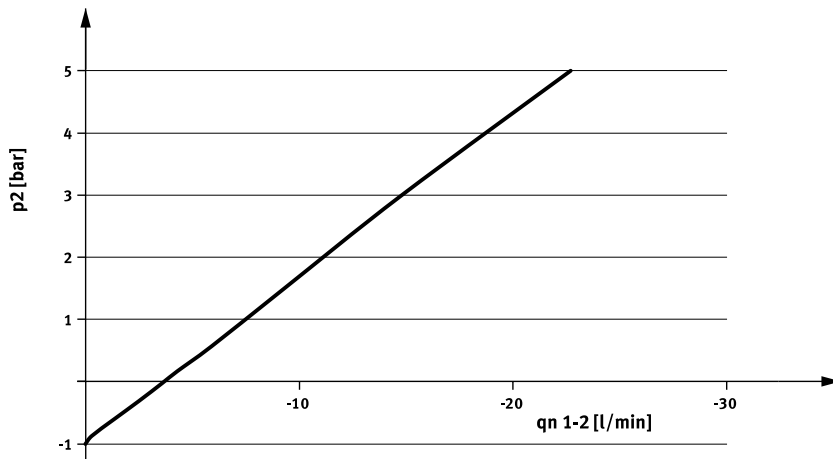


Flow rate  $q_n$  from 2 → 3 as a function of output pressure  $p_2$



## Datasheet

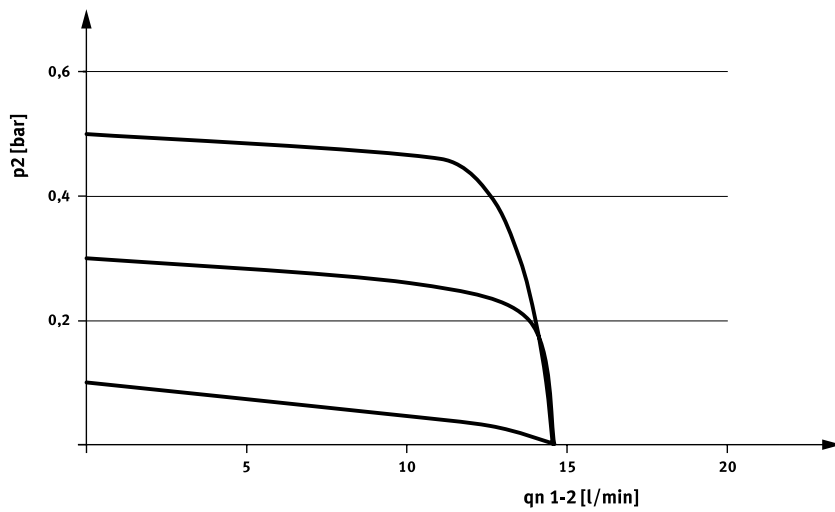
## VEAB-...-D18-..., output pressure 2 (pressure regulation range) –1 ... 5 bar

Flow rate  $q_n$  from 1 → 2 as a function of output pressure  $p_2$ Flow rate  $q_n$  from 2 → 3 as a function of output pressure  $p_2$ 

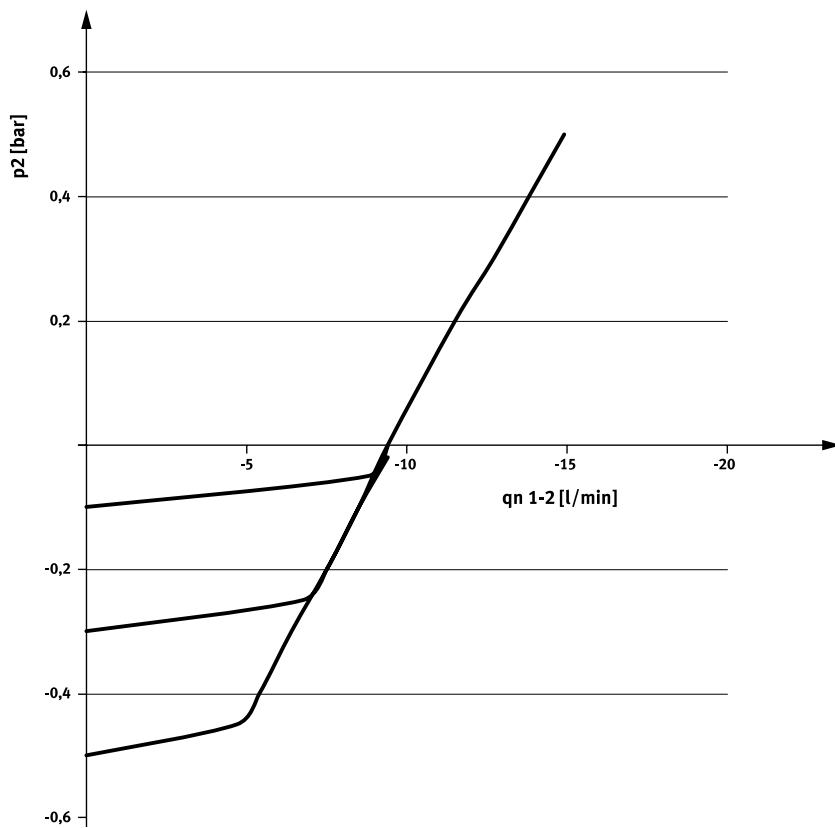
Datasheet

VEAB-...-D15-..., output pressure 2 (pressure regulation range) -0.5 ... 0.5 bar

Flow rate  $q_n$  from 1 → 2 as a function of output pressure  $p_2$



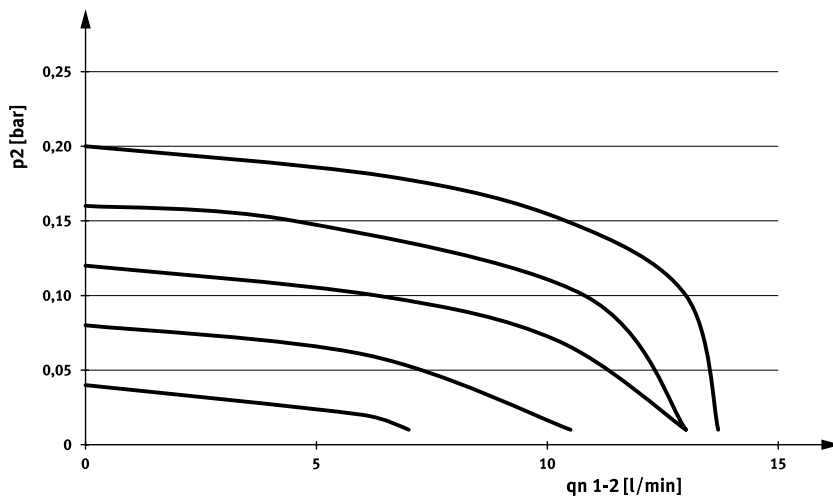
Flow rate  $q_n$  from 2 → 3 as a function of output pressure  $p_2$



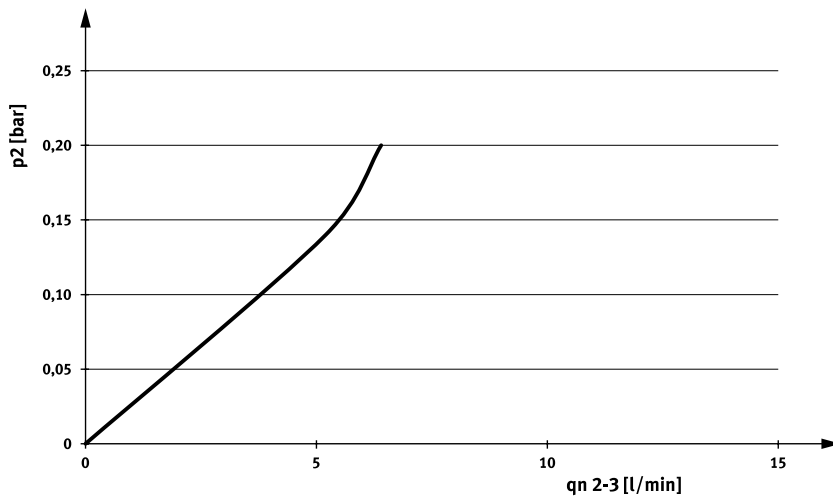
## Datasheet

VEAB-...-D12-..., output pressure 2 (pressure regulation range) 0.001 ... 0.2 bar

Flow rate  $q_n$  from 1 → 2 as a function of output pressure  $p_2$



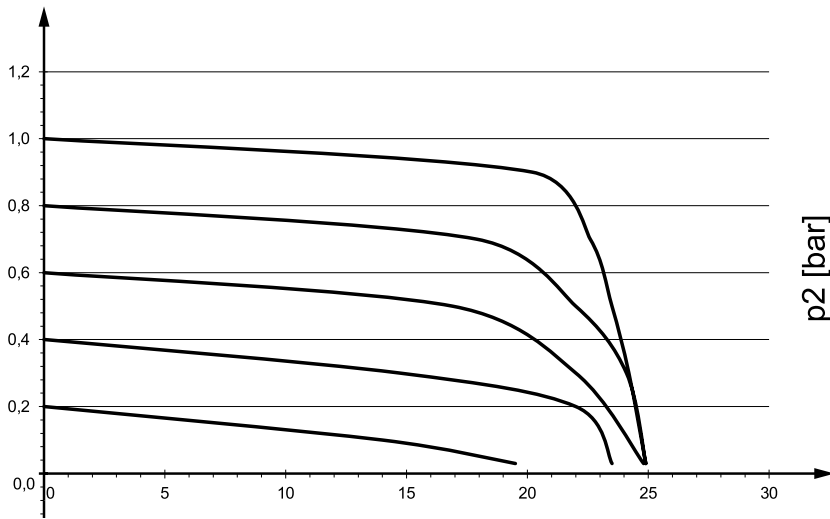
Flow rate  $q_n$  from 2 → 3 as a function of output pressure  $p_2$



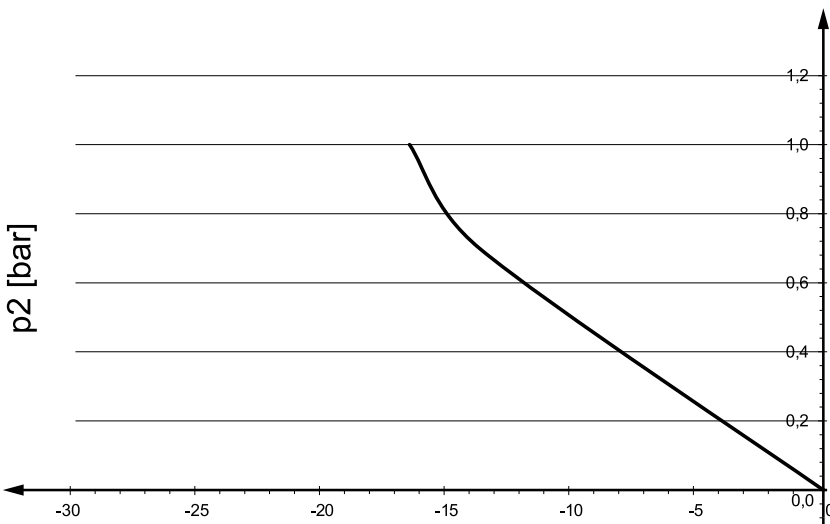
Datasheet

**VEAB-...-D7-..., output pressure 2 (pressure regulation range) 0.005 ... 1 bar**

Flow rate  $q_n$  from 1 → 2 as a function of output pressure  $p_2$



Flow rate  $q_n$  from 2 → 3 as a function of output pressure  $p_2$

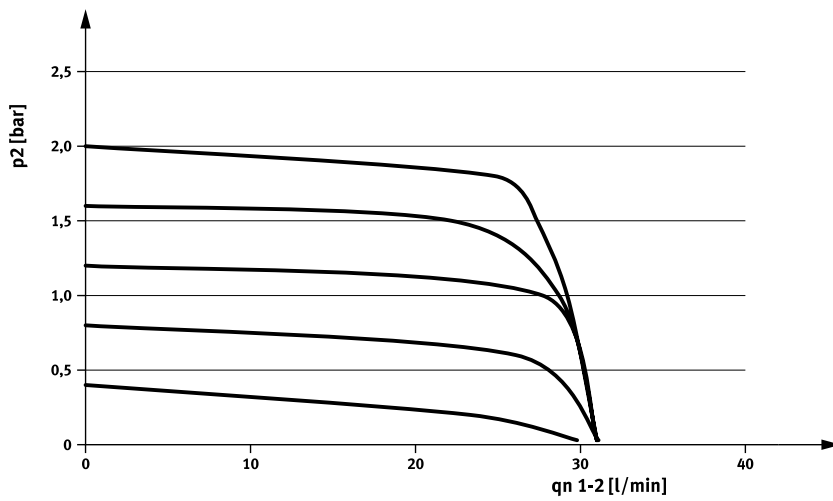




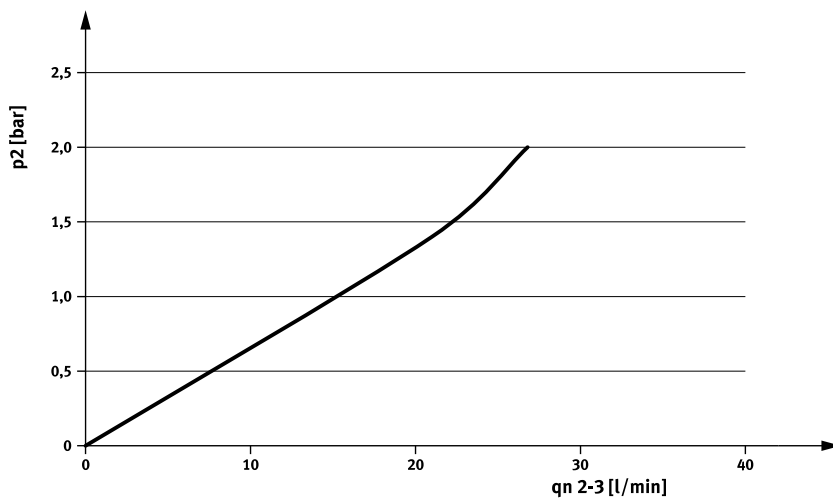
## Datasheet

VEAB-...-D2-..., output pressure 2 (pressure regulation range) 0.01 ... 2 bar

Flow rate  $q_n$  from 1 → 2 as a function of output pressure  $p_2$



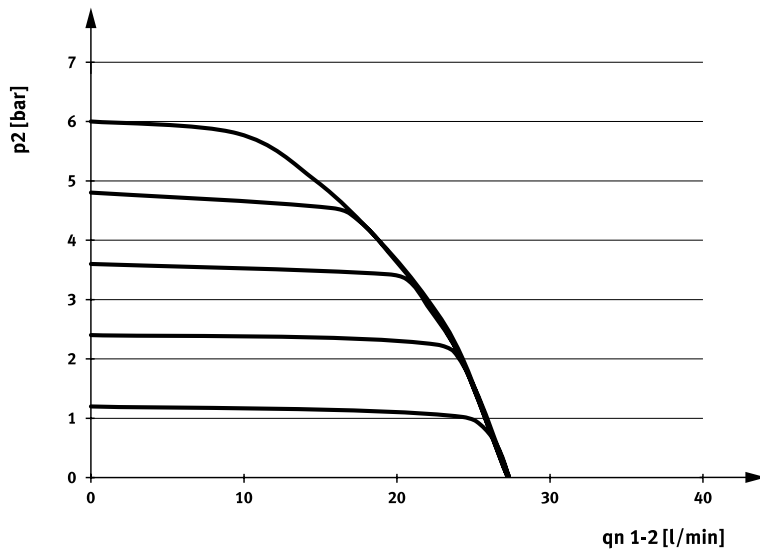
Flow rate  $q_n$  from 2 → 3 as a function of output pressure  $p_2$



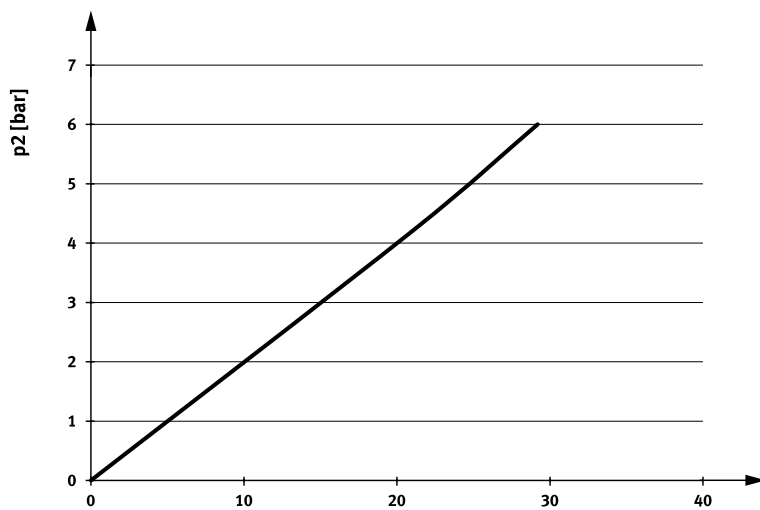
## Datasheet

VEAB-...-D9-..., output pressure 2 (pressure regulation range) 0.03 ... 6 bar

Flow rate  $q_n$  from 1 → 2 as a function of output pressure  $p_2$



Flow rate  $q_n$  from 2 → 3 as a function of output pressure  $p_2$

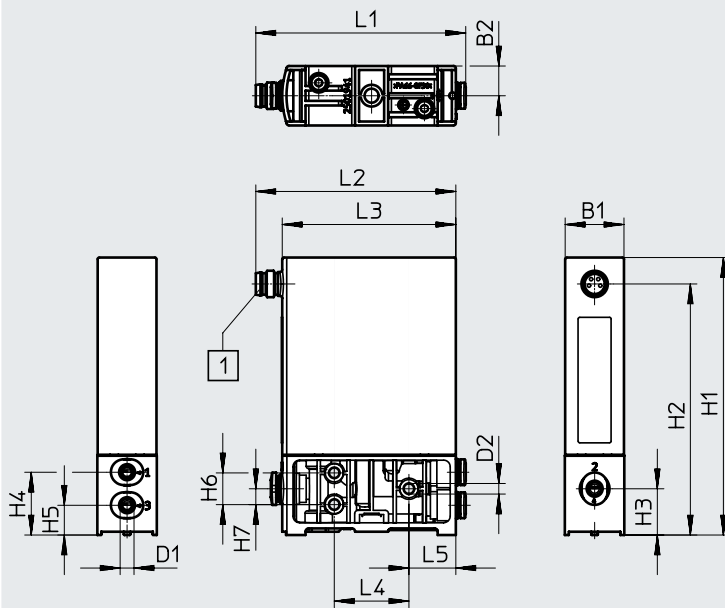


Datasheet

Dimensions

Download CAD data at [www.festo.com](http://www.festo.com)

In-line valve



[1] Plug M8x1, 4-pin

Type	B1	B2	D1 ∅	D2 ∅	H1	H2	H3	H4	H5	H6	H7
VEAB-L	18	9	4	3.2	85	76	14	19	9.5	9.6	4.8

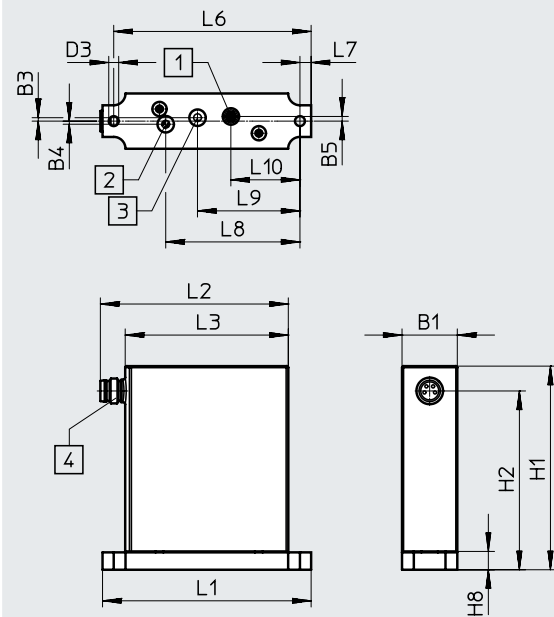
Type	L1	L2	L3	L4	L5
VEAB-L	64	60.5	52.5	22.6	14.2

Datasheet

Dimensions

Download CAD data at [www.festo.com](http://www.festo.com)

Sub-base valve



- [1] Port 1, compressed air
- [2] Port 2, working air
- [3] Port 3, exhaust air
- [4] Plug M8x1, 4-pin

Type	B1	B3	B4	B5	D3 ∅	H1	H2	H8
VEAB-B	18	1.1	1	1.5	3.2	66	58	6

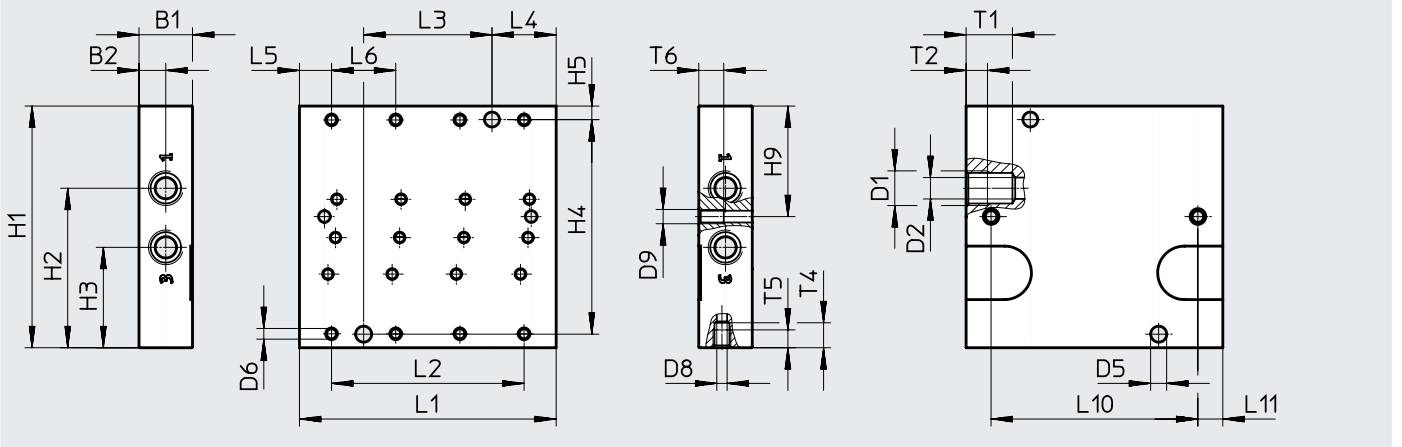
Type	L1	L2	L3	L6	L7	L8	L9	L10
VEAB-B	67.2	60.5	52.5	63.6	3.6	43.3	33	22.3

Datasheet

Dimensions – Manifold rail

Download CAD data at [www.festo.com](http://www.festo.com)

Connection direction on the side



Type	B1	B2	B3	D1	D2 ∅	D5 ∅	D6	D7	D8 ∅	D9	H1	H2	H3	H4	H5	H9
VABM-P7-18M-G18-M5-4	15	7.5	8.5	G1/8	6	4.5	M3	M5	2.9	M4	67.8	44.8	28.2	60.2	3.8	31
VABM-P7-18M-G18-M5-6																
VABM-P7-18M-G18-M5-8																

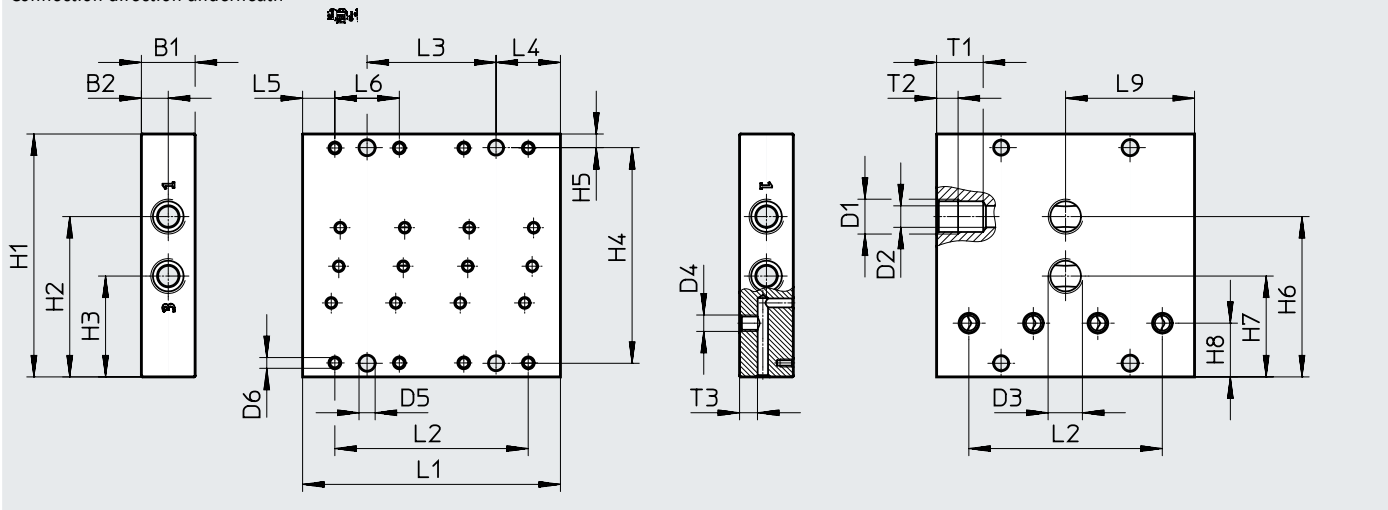
Type	L1	L2	L3	L4	L5	L6	L10	L11	T1	T2	T4	T5	T6
VABM-P7-18M-G18-M5-4	72	54	36	18	9	18	58	7	13	6	7	5	7
VABM-P7-18M-G18-M5-6	108	90	72				94						
VABM-P7-18M-G18-M5-8	144	126	108				130						

Datasheet

Dimensions – Manifold rail

Download CAD data at [www.festo.com](http://www.festo.com)

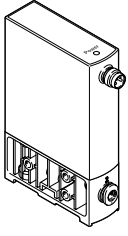
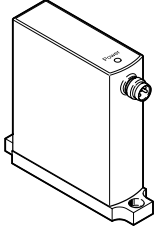
Connection direction underneath



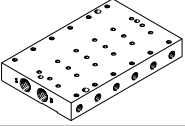
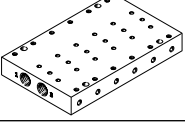
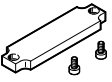
Type	B1	B2	B3	D1	D2	D3	D4	D5	D6	D7	H1	H2	H3	H4	H5	H6
VABM-P7-18MB-G18-M5-4	15	7.5	8.5	G1/8	6	G1/8	M5	4.5	M3	2.9	67.8	44.8	28.2	60.2	3.8	44.8
VABM-P7-18MB-G18-M5-6																
VABM-P7-18MB-G18-M5-8																

Type	H7	H8	L1	L2	L3	L4	L5	L6	L9	T1	T2	T3
VABM-P7-18MB-G18-M5-4	28.2	15	72	54	36	18	9	18	36	13	6	5
VABM-P7-18MB-G18-M5-6			108	90	72							
VABM-P7-18MB-G18-M5-8			144	126	108							

Datasheet

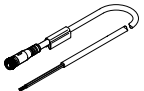
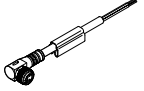
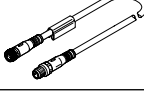
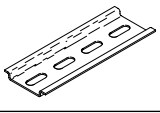

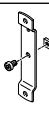
Ordering data		Output pressure 2 (pressure regulation range)			Part no.	Type
		[kPa]	[bar]	[psi]		
<b>In-line valve</b>						
	Voltage type, 0 ... 5 V	-100 ... -0.5	-1 ... -0.005	-14.5 ... -0.0725	8153676	VEAB-L-26-D14-Q4-V2-1R1
		-100 ... 100	-1 ... 1	-14.5 ... 14.5	8153681	VEAB-L-26-D13-Q4-V2-1R1
		-100 ... 500	-1 ... 5	-14.5 ... 72.5	8153682	VEAB-L-26-D18-Q4-V2-1R1
		-50 ... 50	-0.5 ... 0.5	-7.25 ... 7.25	8153680	VEAB-L-26-D15-Q4-V2-1R1
		0.1 ... 20	0.001 ... 0.2	0.0145 ... 2.9	8153673	VEAB-L-26-D12-Q4-V2-1R1
		0.5 ... 100	0.005 ... 1	0.0725 ... 14.5	8153674	VEAB-L-26-D7-Q4-V2-1R1
		1 ... 200	0.01 ... 2	0.145 ... 29	8153675	VEAB-L-26-D2-Q4-V2-1R1
		2.5 ... 500	0.025 ... 5	0.3625 ... 72.5	8153685	VEAB-L-26-D25-Q4-V2-1R1
		3 ... 600	0.03 ... 6	0.435 ... 87	8153672	VEAB-L-26-D9-Q4-V2-1R1
	Voltage type, 0 ... 10 V	-100 ... -0.5	-1 ... -0.005	-14.5 ... -0.0725	8046307	VEAB-L-26-D14-Q4-V1-1R1
		-100 ... 100	-1 ... 1	-14.5 ... 14.5	8067677	VEAB-L-26-D13-Q4-V1-1R1
		-100 ... 500	-1 ... 5	-14.5 ... 72.5	8067679	VEAB-L-26-D18-Q4-V1-1R1
		-50 ... 50	-0.5 ... 0.5	-7.25 ... 7.25	8067675	VEAB-L-26-D15-Q4-V1-1R1
		0.1 ... 20	0.001 ... 0.2	0.0145 ... 2.9	8046301	VEAB-L-26-D12-Q4-V1-1R1
		0.5 ... 100	0.005 ... 1	0.0725 ... 14.5	8046303	VEAB-L-26-D7-Q4-V1-1R1
		1 ... 200	0.01 ... 2	0.145 ... 29	8046305	VEAB-L-26-D2-Q4-V1-1R1
		2.5 ... 500	0.025 ... 5	0.3625 ... 72.5	8046299	VEAB-L-26-D25-Q4-V1-1R1
		3 ... 600	0.03 ... 6	0.435 ... 87	8046299	VEAB-L-26-D9-Q4-V1-1R1
	Current type, 4 ... 20 mA	-100 ... -0.5	-1 ... -0.005	-14.5 ... -0.0725	8046308	VEAB-L-26-D14-Q4-A4-1R1
		-100 ... 100	-1 ... 1	-14.5 ... 14.5	8067678	VEAB-L-26-D13-Q4-A4-1R1
		-100 ... 500	-1 ... 5	-14.5 ... 72.5	8067680	VEAB-L-26-D18-Q4-A4-1R1
		-50 ... 50	-0.5 ... 0.5	-7.25 ... 7.25	8067676	VEAB-L-26-D15-Q4-A4-1R1
		0.1 ... 20	0.001 ... 0.2	0.0145 ... 2.9	8046302	VEAB-L-26-D12-Q4-A4-1R1
		0.5 ... 100	0.005 ... 1	0.0725 ... 14.5	8046304	VEAB-L-26-D7-Q4-A4-1R1
		1 ... 200	0.01 ... 2	0.145 ... 29	8046306	VEAB-L-26-D2-Q4-A4-1R1
		2.5 ... 500	0.025 ... 5	0.3625 ... 72.5	8046300	VEAB-L-26-D25-Q4-A4-1R1
		3 ... 600	0.03 ... 6	0.435 ... 87	8046300	VEAB-L-26-D9-Q4-A4-1R1
<b>Sub-base valve</b>						
	Voltage type, 0 ... 5 V	-100 ... -0.5	-1 ... -0.005	-14.5 ... -0.0725	8153671	VEAB-B-26-D14-F-V2-1R1
		-100 ... 100	-1 ... 1	-14.5 ... 14.5	8153678	VEAB-B-26-D13-F-V2-1R1
		-100 ... 500	-1 ... 5	-14.5 ... 72.5	8153679	VEAB-B-26-D18-F-V2-1R1
		-50 ... 50	-0.5 ... 0.5	-7.25 ... 7.25	8153677	VEAB-B-26-D15-F-V2-1R1
		0.1 ... 20	0.001 ... 0.2	0.0145 ... 2.9	8153668	VEAB-B-26-D12-F-V2-1R1
		0.5 ... 100	0.005 ... 1	0.0725 ... 14.5	8153669	VEAB-B-26-D7-F-V2-1R1
		1 ... 200	0.01 ... 2	0.145 ... 29	8153670	VEAB-B-26-D2-F-V2-1R1
		2.5 ... 500	0.025 ... 5	0.3625 ... 72.5	8153684	VEAB-B-26-D25-F-V2-1R1
		3 ... 600	0.03 ... 6	0.435 ... 87	8153667	VEAB-B-26-D9-F-V2-1R1
	Voltage type, 0 ... 10 V	-100 ... -0.5	-1 ... -0.005	-14.5 ... -0.0725	8046271	VEAB-B-26-D14-F-V1-1R1
		-100 ... 100	-1 ... 1	-14.5 ... 14.5	8067669	VEAB-B-26-D13-F-V1-1R1
		-100 ... 500	-1 ... 5	-14.5 ... 72.5	8067671	VEAB-B-26-D18-F-V1-1R1
		-50 ... 50	-0.5 ... 0.5	-7.25 ... 7.25	8067667	VEAB-B-26-D15-F-V1-1R1
		0.1 ... 20	0.001 ... 0.2	0.0145 ... 2.9	8046265	VEAB-B-26-D12-F-V1-1R1
		0.5 ... 100	0.005 ... 1	0.0725 ... 14.5	8046267	VEAB-B-26-D7-F-V1-1R1
		1 ... 200	0.01 ... 2	0.145 ... 29	8046269	VEAB-B-26-D2-F-V1-1R1
		2.5 ... 500	0.025 ... 5	0.3625 ... 72.5	8046263	VEAB-B-26-D25-F-V1-1R1
		3 ... 600	0.03 ... 6	0.435 ... 87	8046263	VEAB-B-26-D9-F-V1-1R1
	Current type, 4 ... 20 mA	-100 ... -0.5	-1 ... -0.005	-14.5 ... -0.0725	8046272	VEAB-B-26-D14-F-A4-1R1
		-100 ... 100	-1 ... 1	-14.5 ... 14.5	8067670	VEAB-B-26-D13-F-A4-1R1
		-100 ... 500	-1 ... 5	-14.5 ... 72.5	8067672	VEAB-B-26-D18-F-A4-1R1
		-50 ... 50	-0.5 ... 0.5	-7.25 ... 7.25	8067668	VEAB-B-26-D15-F-A4-1R1
		0.1 ... 20	0.001 ... 0.2	0.0145 ... 2.9	8046266	VEAB-B-26-D12-F-A4-1R1
		0.5 ... 100	0.005 ... 1	0.0725 ... 14.5	8046268	VEAB-B-26-D7-F-A4-1R1
		1 ... 200	0.01 ... 2	0.145 ... 29	8046270	VEAB-B-26-D2-F-A4-1R1
		2.5 ... 500	0.025 ... 5	0.3625 ... 72.5	8046264	VEAB-B-26-D25-F-A4-1R1
		3 ... 600	0.03 ... 6	0.435 ... 87	8046264	VEAB-B-26-D9-F-A4-1R1

## Datasheet

Ordering data	Description	Part no.	Type	
<b>Manifold rail</b>				
	Connection direction on the side	4 valve positions	<b>8076386</b>	<b>VABM-P7-18M-G18-M5-4</b>
		6 valve positions	<b>8076388</b>	<b>VABM-P7-18M-G18-M5-6</b>
		8 valve positions	<b>8076390</b>	<b>VABM-P7-18M-G18-M5-8</b>
	Connection direction underneath	4 valve positions	<b>8076387</b>	<b>VABM-P7-18MB-G18-M5-4</b>
		6 valve positions	<b>8076389</b>	<b>VABM-P7-18MB-G18-M5-6</b>
		8 valve positions	<b>8076391</b>	<b>VABM-P7-18MB-G18-M5-8</b>
<b>Cover plate</b>				
	Including screws (2) and O-rings (3, premounted)	<b>4054658</b>	<b>VABB-P7-M</b>	



## Accessories

Ordering data	Description	Part no.	Type
Connecting cable		Datasheets at Internet: <a href="#">nebu</a>	
	Straight socket, M8x1, 4-pin Open end, 4-wire	2.5 m	<b>541342</b> <b>NEBU-M8G4-K-2.5-LE4</b>
		5 m	<b>541343</b> <b>NEBU-M8G4-K-5-LE4</b>
	Angled socket, M8x1, 4-pin Open end, 4-wire	2.5 m	<b>541344</b> <b>NEBU-M8W4-K-2.5-LE4</b>
		5 m	<b>541345</b> <b>NEBU-M8W4-K-5-LE4</b>
	Straight socket, M8x1, 4-pin Straight plug M8x1, 4-pin	2.5 m	<b>554035</b> <b>NEBU-M8G4-K-2.5-M8G4</b>
H-rail			
	To EN 60715, 35 x 7.5 (WxH), for control cabinet installation	<b>35430</b>	<b>NRH-35-2000</b>
H-rail mounting			
	For H-rail NRH-35-2000	<b>4054652</b>	<b>VAME-P7-T</b>
Mounting plate			
	For in-line valve	<b>4054656</b>	<b>VAME-P7-Y</b>