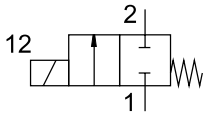



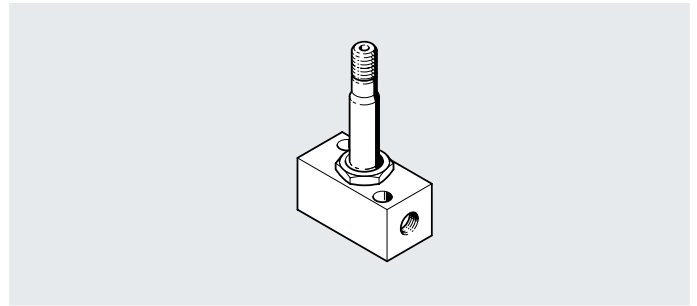


Datasheet



-  - Flow rate
300 l/min
-  - Temperature range
-5 ... +40°C
-  - Pressure
-0.095 ... +0.7 MPa



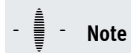
Operation with different pressures

Vacuum operation

The flow direction is clearly defined and cannot be reversed.

This must be observed even when operating the valve with vacuum.

This is achieved by connecting the vacuum to port 2.

**Note**

Vacuum must not be connected to port 1.

Duty cycle

Up to an operating pressure of 5.5 bar, 100% duty cycle is permissible; for the pressure range 5.5 ... 7 bar the value is reduced to 40%.

Reverse operation

Reverse operation is not possible; the flow direction cannot be reversed.

General technical data

Valve function	2/2, normally closed, single solenoid	
Design	Poppet valve with spring return	
Sealing principle	Soft	
Reset method	Mechanical spring	
Actuation type	Electrical	
Type of control	Direct	
Flow direction	Not reversible	
Manual override	None	
Nominal width	[mm]	4
Standard nominal flow rate	[l/min]	300
Type of mounting	Via through-hole	
Pneumatic connection	1	G1/8
	2	G1/8
Note on materials	RoHS-compliant	

Operating and environmental conditions

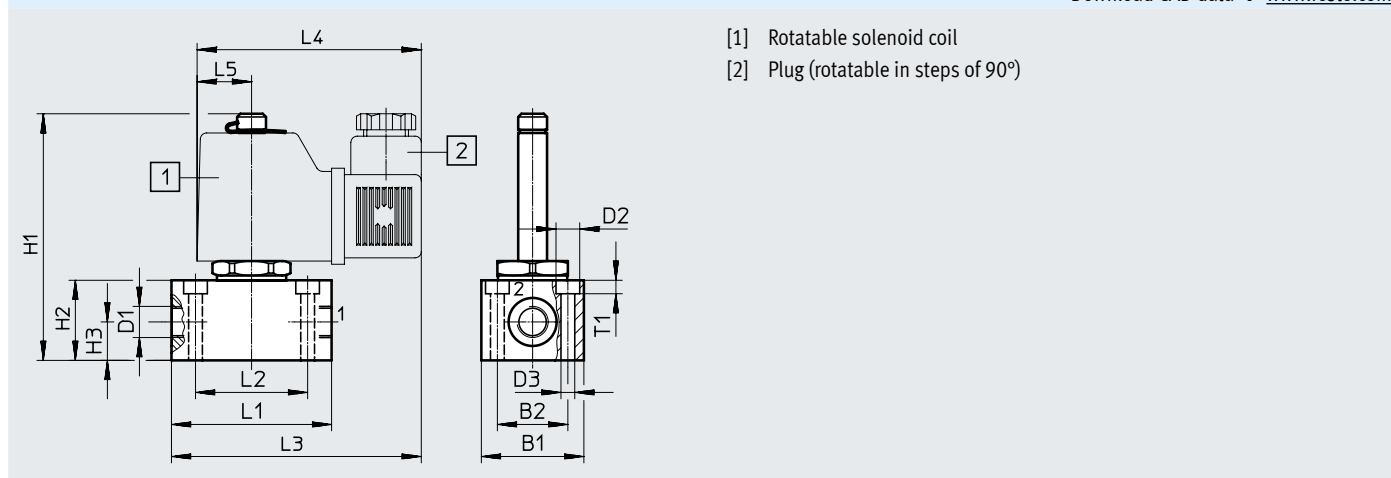
Operating medium	Compressed air to ISO 8573-1:2010 [7:4:4]	
Operating pressure	[MPa]	-0.095 ... +0.7
	[bar]	-0.95 ... +7
Ambient temperature	[°C]	-5 ... +40
Temperature of medium	[°C]	-10 ... +60
Storage temperature	[°C]	-40 ... +100

Datasheet

Electrical data											
Direct voltage	Operating voltage	[V DC]	12	24	42	96	110	220	240		
	Power consumption	[W]	11.7	11	12	11	12.7	15	17.9		
Alternating voltage	Operating voltage	[V AC]	12	24	42	48	110	120	220	240	380
		[Hz]	50	50	50/60	50	50/60	60	50/60	50	50/60
	Pick-up power	[VA]	30								
	Holding power	[VA]	22								
Duty cycle		[%]	100	100	100	100	100	100	100	100	
Degree of protection to EN 60529			IP65	IP65	IP65	IP65	IP65	IP65	IP65	IP65	

Switching times and frequencies			
Switching time	On	[ms]	18
	Off	[ms]	20

Dimensions Download CAD data → www.festo.com



Type	B1	B2	D1	D2 ∅	D3 ∅	H1	H2	H3	L1	L2	L3	L4	L4	T1
MC-2-1/8	32	22	G1/8	8	4.5	77	25	12	50	35	77	70	18	4.7

Ordering data		Part no.	Type
	2/2-way solenoid valve, normally closed, single solenoid	2187	MC-2-1/8