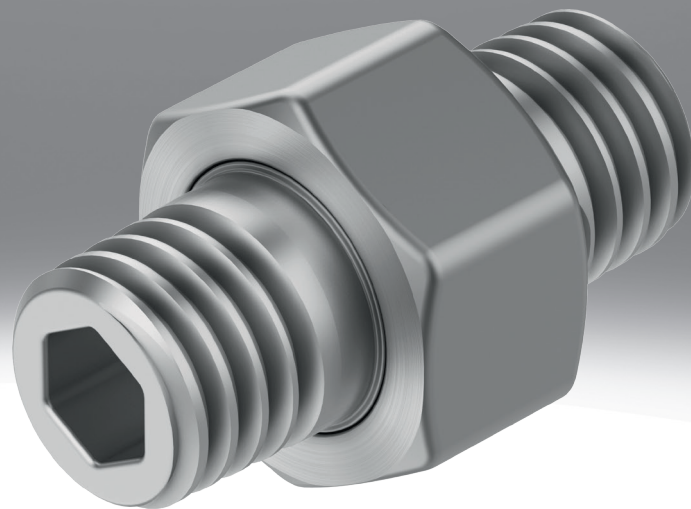


Double nipple

FESTO



Characteristics

At a glance

For connecting pneumatic components with different threaded connections.

Datasheet

General technical data

Pneumatic connection, port 1	R1/8	R1/4	R3/8	R1/2
Pneumatic connection, port 2	R1/8, R1/4, R3/8	R1/4, R3/8, R1/2	R3/8, R1/2	R1/2

Materials

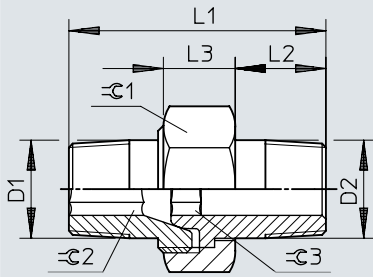
Material double nipple	Brass
Note on materials	RoHS-compliant
LABS (PWIS) conformity	VDMA24364-B1/B2-L

Double nipple

Dimensions

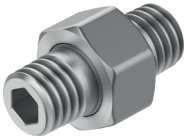
Dimensions – Double nipple ESK

Download CAD data → www.festo.com



	D1	D2	L1	L2	L3	$\varnothing 1$	$\varnothing 2$	$\varnothing 3$
ESK-1/8-1/8	R1/8	R1/8	27	9	8,5	15	5	5
ESK-1/8-1/4		R1/4	30,6	12	9,5	19	5	6
ESK-1/8-3/8		R3/8	34,5	13	10	22	5	8
ESK-1/4-1/4	R1/4	R1/4	34	12	9,5	19	6	6
ESK-1/4-3/8		R3/8	36	13	10	22	6	8
ESK-1/4-1/2		R1/2	40,5	16	12	27	6	12
ESK-3/8-3/8	R3/8	R3/8	36	13	10	22	8	8
ESK-3/8-1/2		R1/2	44	16	12	27	8	12
ESK-1/2-1/2	R1/2	R1/2	44	16	12	27	12	12

Ordering data

Ordering data						
	Short type code	Pneumatic connection, port 1	Pneumatic connection, port 2	Part no.	Type	
	ESK	R1/8	R1/8	151520	ESK-1/8-1/8	
			R1/4	534151	ESK-1/8-1/4	
			R3/8	534155	ESK-1/8-3/8	
		R1/4		R1/4	151521	ESK-1/4-1/4
				R3/8	534152	ESK-1/4-3/8
				R1/2	534153	ESK-1/4-1/2
		R3/8		R3/8	151522	ESK-3/8-3/8
				R1/2	534154	ESK-3/8-1/2
		R1/2			151523	ESK-1/2-1/2