

**Tools and accessories**

**FESTO**



## Datasheet

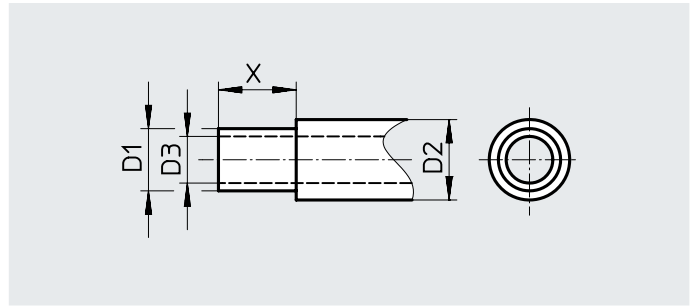
### Tubing cutter PAN-V0S

For flame-retardant PAN-V0 tubing

Note on materials:  
RoHS-compliant

LABS (PWIS) conformity:  
VDMA24364-B2-L






Colour: grey



Before the plastic tubing PAN-V0 can be inserted into the push-in fitting QS-V0, the tubing's PVC sheath must be cut by length X.

The integrated stop in the tubing cutter PAN-V0S ensures that the sheath is always cut to the correct length X. The blade design prevents damage to the inner polyamide tubing.

#### Dimensions and ordering data

Push-in connector QS-V0	D1 ∅	D2 ∅	D3 ∅	X	Weight [g]	Part no.	Type	
I.D. 4 mm	4	6	2.5	14.7±1	20	133180	PAN-V0S-4	-  -
I.D. 6 mm	6	8	4	15.7±1	20	133181	PAN-V0S-6	-  -
I.D. 8 mm	8	10	6	16.7±1	21	133182	PAN-V0S-8	-  -
I.D. 10 mm	10	12	7.5	19.2±1	21	133183	PAN-V0S-10	-  -
I.D. 12 mm	12	14	9	22.7±1	21	133184	PAN-V0S-12	-  -

## Datasheet

### Connecting pliers ZMS-PK-3/4

With blade for connecting plastic tubing with outside diameters of 4 to 6 mm to barbed fittings.

Note on materials:  
RoHS-compliant

LABS (PWIS) conformity:  
VDMA24364-B2-L



Ordering data	Weight [g]	Part no.	Type
Connecting pliers	189	9341	ZMS-PK-3/4

### Pipe cutter ZR

For cutting plastic pipes PQ-PA with outside diameters of 12 to 28 mm to length. Not suitable for tubing with metal casing.

Note on materials:  
RoHS-compliant

LABS (PWIS) conformity:  
VDMA24364-B2-L



Ordering data	Weight [g]	Part no.	Type
Pipe cutter	361	194592	ZR

### Pipe and tubing cutter ZRS

The pipe and tubing cutter ZRS is used for cutting to length plastic and nitrile rubber tubing with outside diameters of 2 to 20 mm, with or without textile insert. It is not suitable for tubing with metal sheath. It also has an integrated retaining clip to prevent unauthorised opening.

Note on materials:  
RoHS-compliant

LABS (PWIS) conformity:  
VDMA24364-B2-L



Ordering data	Weight [g]	Part no.	Type	PS <sup>1)</sup>
Pipe and tubing cutter with 2 spare blades	134	7658	ZRS	1
10 spare blades for pipe and tubing cutter	–	218606	ZRS 10PACK	10

1) Pack size