

## Pressure gauge PAGL

**FESTO**



## Characteristics

### At a glance

Pressure gauge to DIN EN 837-1 for front panel or line installation.

- For high-pressure applications
- Display units MPa, bar, psi

### Connection position

Connection position centrally at the rear (standard) or at the bottom (RC).

## Type code

001	Series
PAGL	Pressure gauge PAGL

002	Pressure application range
HP3	Up to 50 bar

003	Size
63	Diameter 63 mm

004	Display range
60	0 ... 60

005	Pneumatic connection
G14	G1/4

006	Connection position
	Axial connection
RC	Radial connection

## Datasheet

## General technical data

Nominal size of pressure gauge	63
Pneumatic connection	G1/4
Design	Bourdon tube pressure gauge
Conforms to standard	EN 837-1
Type of mounting	In-line installation
Position of connection	Radial underneath Centred, rear side
Scale	Triple scale MPa (outer scale) Bar (outside scale) psi (inner scale)
Indicating range	0 ... 6 MPa
Indicating range	0 ... 60 bar
Indicating range	0 ... 870 psi
Measurement accuracy class	1.6
Degree of protection	IP65

## Function



## Operating and environmental conditions

Operating pressure	0 ... 6 MPa
Operating pressure	0 ... 60 bar
Operating pressure	0 ... 870 psi
Operating medium	Inert gases, Neutral fluids
Note on operating and pilot medium	No acetylene, No oxygen
Alternating load factor	0.66
Ambient temperature	0 ... 60°C
Media temperature	0 ... 60°C
Storage temperature	-40 ... 70°C

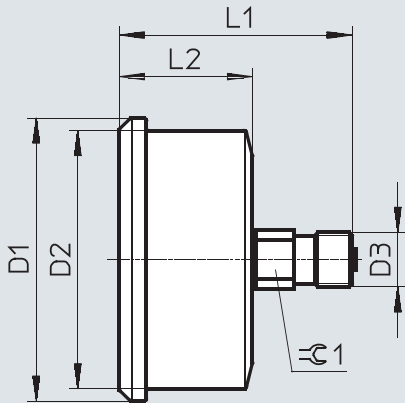
## Materials

Material housing	Steel
Material in contact with the medium	Brass
Material screwed plug	Brass
Material screen	PS
Housing colour	Silver

## Dimensions

### Dimensions – PAGL-HP3-63-60-G14

Download CAD data [www.festo.com](http://www.festo.com)

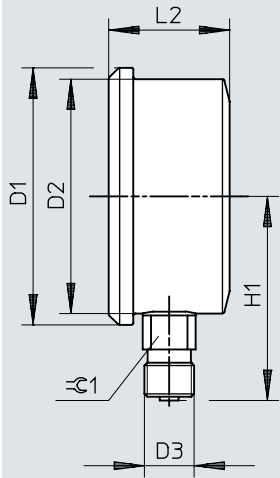


	D1	D2	D3	L1	L2	☞ 1
	∅	∅		±0,5	±0,5	
PAGL-HP3-63-60-G14	68	62	G1/4	56	32	14

## Dimensions

### Dimensions – PAGL-HP3-63-60-G14-RC


Download CAD data [www.festo.com](http://www.festo.com)




	D1 ∅	D2 ∅	D3	H1 ±0,5	L2 ±0,5	≅ 1
PAGL-HP3-63-60-G14-RC	68	62	G1/4	54	32	14

## Ordering data

## Ordering data – PAGL-HP3-63-60-G14

	Pneumatic connection	Position of connection	Product weight	Part no.	Type
	G1/4	Centred, rear side	80 g	<b>1166938</b>	<b>PAGL-HP3-63-60-G14</b>

## Ordering data – PAGL-HP3-63-60-G14-RC

	Pneumatic connection	Position of connection	Product weight	Part no.	Type
	G1/4	Radial underneath	80 g	<b>1908519</b>	<b>PAGL-HP3-63-60-G14-RC</b>