

Push-in fittings NPQE

FESTO



Key features

Application



Choosing the right fitting is effortless. With a system that includes well over 1000 types of standard and function fittings, Festo offers a secure solution for every connection.

Overview of tubing/fitting combinations

| Applications | Fitting | Tubing | Description |
|--|---------|------------|--|
| Standard | QS | PUN-H | Maximum flexibility in standard applications thanks to an extremely wide range of options for combining the different types. |
| | NPQE | PUN-H | Low-cost and versatile combination for standard applications |
| | QS | PAN | Meets all requirements, even for standard applications with increased pressure and temperature ranges. |
| | QS | PEN | Suitable for a wide range of tasks and attractively priced. Flexible thanks to highly resistant materials, easy to install thanks to optimised bending radii. High level of abrasion resistance in dynamic applications. |
| High pressures | NPQM | PAN-MF | Meets DIN standard 73378: ideal for use in mobile pneumatics. Suitable for increased temperature ranges combined with high pressure ranges. |
| | NPQH | PAN-R | Powerful in pressure ranges up to 20 bar, for example in applications with the pressure booster DPA. |
| Resistant to chemicals and hydrolysis, food-safe | NPQP | PLN | Resistant to cleaning agents, FDA-compliant and economical. Can be used instead of the combination with stainless steel fittings. |
| | NPKA | PUN-H | Hydrolysis-resistant and suitable for water applications. Combination suitable for use in clean rooms, FDA-compliant and corrosion resistant as made from 100% polymer. Very easy to install with the "one click principle". |
| | NPQH | PFAN/PTFEN | For high temperatures up to 150°C. Food-safe, FDA-compliant and resistant to cleaning agents. |
| | NPCK | PFAN/PTFEN | Easy to clean thanks to the union nut's edge-free design. Maximum corrosion resistance (CRC 4) and FDA-compliant. Suitable for a wide range of media. |
| | CRQS | PFAN/PTFEN | Maximum corrosion resistance (CRC 4) and maximum resistance to aggressive acids and alkalis. |
| Resistant to chemicals and hydrolysis | NPQR | PFAN/PTFEN | Optimised design, fewer edges where dirt can collect – all at an attractive price. For high temperatures up to 150°C. Pressure range up to 16 bar. Highest level of corrosion resistance (CRC 4). |
| Antistatic | NPQM | PUN-CM | Antistatic tubing plus solid metal fitting: maximum protection for electrical and electronic components. |
| Flame-retardant | NPQM | PUN-V0 | Very safe in areas where there is a risk of fire with its flame-retardant properties. The tubing has been tested to DIN 5510-2. |
| Resistant to welding spatter | NPQH | PUN-V0-C | Ideal for applications involving welding spatter. Reliable thanks to a tubing wall thickness of 2 mm for all diameters. |
| | QS-V0 | PAN-V0 | Safe even in the close vicinity of welding spatter with the double-walled tubing with special fitting. |

Key features

Push-in fittings product range

QSM, mini series

Datasheets → Internet: qsm



Miniature push-in fittings for maximum component density in confined spaces. For pneumatic applications with a temperature range up to 80°C and a pressure range up to 14 bar. Tubing O.D. of 2, 3, 4 and 6 mm with connecting threads M3, M5, M6, M7, R1/8 and G1/8.

QS, standard series

Datasheets → Internet: qs



Wide selection of push-in fittings for pneumatic applications with a temperature range up to 80°C and a pressure range up to 14 bar. Tubing O.D. 4, 6, 8, 10, 12, 16 and 22 mm with connecting threads R1/8 ... R1/2 and G1/8 ... G3/4.

CRQS, stainless steel

Datasheets → Internet: crqs



Stainless steel push-in fitting. High corrosion resistance CRC 4 and chemical resistance with approval for use in the food and packaging industry. For pneumatic applications with a temperature range up to 120°C and a pressure range up to 10 bar. Tubing O.D. 4, 6, 8, 10, 12 and 16 mm with connecting threads M5 and R1/8 ... R1/2.

QS-V0, resistant to welding spatter

Datasheets → Internet: qs-v0



Flame-retardant push-in fitting for use in all areas where there is a risk of fire, for example welding systems in the automotive industry, and in the construction industry. For pneumatic applications with a temperature range up to 60°C and a pressure range up to 10 bar. Tubing O.D. 4, 6, 8, 10 and 12 mm with connecting thread R1/8 ... R1/2 and G1/8 ... G1/2.

NPQE

Datasheets → Internet: npqe



Low-cost push-in fittings for pneumatic applications with a temperature range up to 60°C and a pressure range up to 8 bar. Tubing O.D. of 3, 4, 6, 8, 10, 12, 14 and 16 mm with connecting threads M3, M5, M7 and R1/8 ... R1/2.

NPQH

Datasheets → Internet: npqh



All metal push-in fitting made of chemically nickel-plated brass. High corrosion resistance CRC 3 and chemical resistance. For pneumatic applications with a temperature range up to 150°C and a pressure range up to 20 bar. Tubing O.D. 4, 6, 8, 10, 12 and 14 mm with connecting thread M5, M7 and G1/8 ... G1/2.

NPQM

Datasheets → Internet: npqm



Attractively priced metal push-in fitting for pneumatic applications with a temperature range up to 70°C and a pressure range up to 16 bar. Tubing O.D. 3, 4, 6, 8, 10, 12 and 14 mm with connecting thread M5, M7 and G1/8 ... G1/2.

NPQP

Datasheets → Internet: npqp



Polypropylene fitting for use in applications with extreme media influences. For pneumatic applications with a temperature range up to 60°C and a pressure range up to 10 bar. Tubing O.D. 4, 6, 8, 10 and 12 mm with connecting threads R1/8 ... R1/2.

Key features

Push-in fittings product range

NPQR, stainless steel

Datasheets → Internet: npqr



Stainless steel push-in fitting. Maximum corrosion resistance CRC 4 and chemical resistance. For pneumatic applications with a temperature range up to 150°C and a pressure range up to 16 bar.

Tubing O.D. of 4, 6, 8, 10 and 12 mm with connecting thread M5, M7 and G1/8 ... G1/2.

Functional push-in fittings product range

QSK,
push-in fitting, self-sealing

Datasheets → Internet: qsk



Push-in fitting that blocks the air flow after the tubing is disconnected. For pneumatic applications with a temperature range up to 60°C and a pressure range up to 14 bar.

Tubing O.D. 4, 6, 8, 10 and 12 mm with connecting threads M5, R1/8 ... R1/2 and G1/8 ... G1/2.

QSR,
push-in fitting, rotatable

Datasheets → Internet: qsr



Push-in fitting with swivel connection, rotatable by 360°. The ball bearing enables rotating movements in the application up to max. 500 rpm. For pneumatic applications with a temperature range up to 60°C and a pressure range up to 14 bar.

Tubing O.D. 4, 6, 8, 10 and 12 mm with connecting threads M5, R1/8 ... R1/2 and G1/8 ... G1/2.

Quick connectors product range

NPCK

Datasheets → Internet: npck



Stainless steel fitting for use in areas subject to intensive cleaning. Highest level of corrosion resistance CRC 4. For pneumatic applications with a temperature range up to 120°C and a pressure range up to 12 bar.

Tubing O.D. of 4, 6, 8 and 10 mm with connecting threads M5 and G1/8 ... G3/8.

Click fittings product range

NPKA

Datasheets → Internet: npka



Plastic fitting for easy installation with one hand. Hydrolysis-resistant, FDA-compliant and easy to clean. For pneumatic applications with a temperature range up to 60°C and a pressure range up to 10 bar.

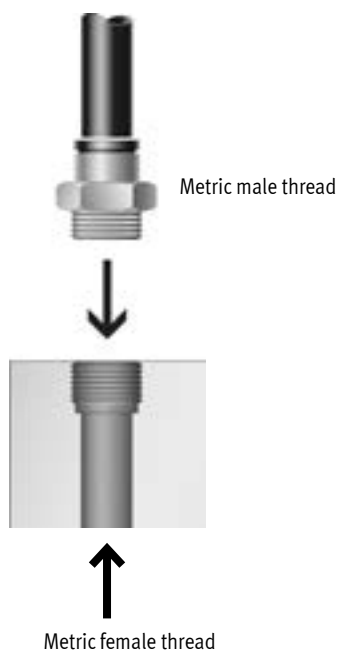
Tubing O.D. of 6 mm with connecting thread G1/8.

Key features

Which fitting fits which thread?

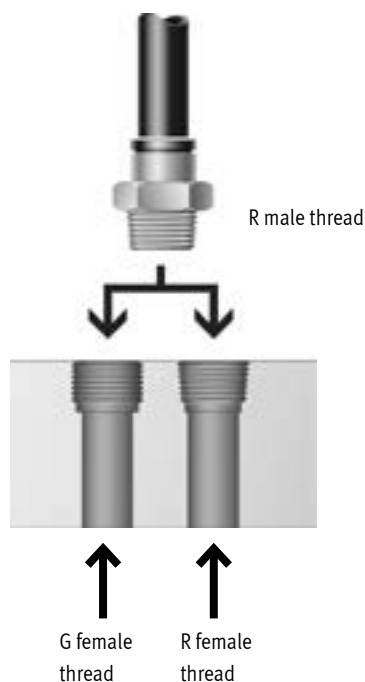
Metric thread

- Threads are comparable with G threads and are fitted as cylindrical metric thread
- Sealing is guaranteed via an O-ring.



R thread based on JIS B0203 and compatible with pressure-tight media to EN 10226

- Self-sealing thread
- Sealing via coated threads
- No additional sealing surface required
- Smaller installation dimensions since there is no need for an offset for the sealing surface
- Can be reused up to 3 times.



Note

All R threads are coated with a sealing material. This coating replaces the conventional sealing ring. Simply screw in the R thread by hand and tighten 1 or 2 revolutions with an open-end spanner. The fitting can be screwed in again up to three times.

When screwing in R threads several times, you must make sure that the abraded particles from the sealing material coating cannot enter the compressed air system.

Tube mounting/dismounting

Mounting

The prerequisite for ensuring that the inside seal is securely held and protected against damage is that the tube is cut into straight lengths and deburred.

- 1) Insert tubing as far as the stop.
It is important to ensure that the tubing is inserted into the inner seal. Depending on the tolerance between the tubing and the seal, the contact of the tubing with the seal may be wrongly interpreted as the stop.
- 2) Check that the tubing connection is secure by pulling gently on the tube.

Dismounting

- 1) The tubing can be detached easily by pressing and holding down the releasing ring. Remove the tubing carefully from the fitting.
- 2) Before re-using the tubing, remove the damaged part by cutting it off.

Technical data

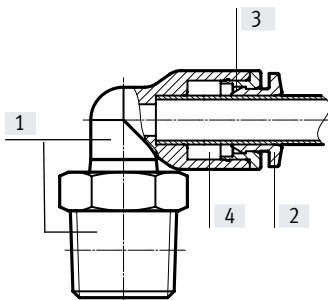
| General technical data | |
|----------------------------------|--|
| Design | Push-pull principle |
| Mounting position | Any |
| Type of seal on screwed trunnion | Sealing ring for M thread Coating for R thread |
| Nominal tightening torque [Nm] | 0.3 ±5% for M3 male thread 0.8 ±5% for M5 male thread 2 ±5% for M7 male thread |

| Operating and environmental conditions | |
|---|--|
| Operating pressure for entire temperature range | [MPa] -0.095 ... 0.8 [bar] -0.95 ... 8 [psi] -13.775 ... 116 |
| Operating medium | Compressed air to ISO 8573-1:2010 [7:4:4] |
| Note on the operating/pilot medium | Lubricated operation possible |
| Ambient temperature | [°C] -5 ... +60 |
| Corrosion resistance class CRC ¹⁾ | 1 |

1) More information: www.festo.com/x/topic/kbk

Materials









Sectional view



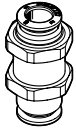






| Type | Push-in fitting NPQE-D, Push-in bulkhead connector NPQE-H | Push-in fitting NPQE-L/NPQE-LH/ NPQE-LL/NPQE-T/ NPQE-LQ/ NPQE-LT/NPQE-Y | Push-in connector NPQE-D/NPQE-L/ NPQE-T/NPQE-Y/ NPQE-X, Push-in cap NPQE-P | Push-in sleeve NPQE-D, Blanking plug NPQE-P, Safety clip NPAP-QE |
|---------------------------|--|---|--|--|
| [1] Housing | Nickel-plated brass - | PBT | - | - |
| [2] Releasing ring | POM (colour: blue) | - | - | - |
| [3] Tube clamping segment | Stainless steel | - | - | - |
| [4] Tubing seal | NBR | - | - | - |
| - Thread seal | NBR for M thread PTFE for R thread | - | - | - |
| - O-ring | NBR for M thread | - | - | - |
| Note on materials | RoHS-compliant | | | |
| PWIS conformity | VDMA24364 zone III | | | |
| Cleanroom class | Class 4 to ISO 14644-1 ¹⁾ | | | |

1) Blanking plug NPQE-P, safety clip NPAP-QE: Element installed statically, no meaningful evaluation possible according to ISO 14644-1

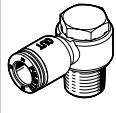
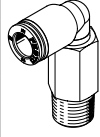
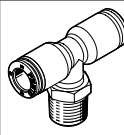
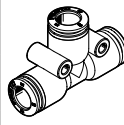
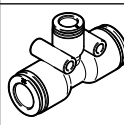
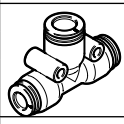
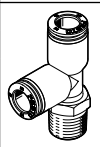
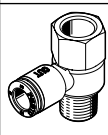
Product range overview

| Design | Version | Type | Connection D1 | | | | | Connection D2 | | → Page/ Internet | |
|---|---|--|----------------------|----------|----------|-------------|------------------|---------------|------------------|---------------------|----------------------|
| | | | M thread | R thread | G thread | Tubing O.D. | Push-in sleeve Ø | Tubing O.D. | Push-in sleeve Ø | | |
| Straight shape | Push-in fitting – male thread with external hex | | | | | | | | | | |
| |  | NPQE-D | M3 | - | - | - | - | 3, 4 | - | 11 | |
| | | | M5 | | | | | 3, 4, 6 | | | |
| | | | M7 | | | | | 4, 6 | | | |
| | | | - | | | | | R1/8 | | | 4, 6, 8, 10, 12 |
| | | | - | | | | | R1/4 | | | 4, 6, 8, 10, 12 |
| | | | - | | | | | R3/8 | | | 6, 8, 10, 12, 14, 16 |
| | - | R1/2 | 6, 8, 10, 12, 14, 16 | | | | | | | | |
| | Push-in fitting – female thread with external hex | | | | | | | | | | |
| |  | NPQE-D | M5 | - | - | - | - | 3, 4 | - | 12 | |
| | | | - | | | | | G1/8 | | | 4, 6, 8, 10 |
| | | | - | | | | | G1/4 | | | 4, 6, 8, 10, 12 |
| | | | - | | | | | G3/8 | | | 6, 8, 10, 12 |
| | | | - | | | | | G1/2 | | | 12, 16 |
| | Push-in fitting – Male thread with internal hex | | | | | | | | | | |
| |  | NPQE-DK | M3 | - | - | - | - | 3, 4 | - | 13 | |
| M5 | | | 3, 4, 6 | | | | | | | | |
| M7 | | | 4, 6 | | | | | | | | |
| - | | | G1/8 | | | | | 4, 6, 8, 10 | | | |
| - | | | G1/4 | | | | | 6, 8, 10, 12 | | | |
| Push-in connector | | | | | | | | | | | |
|  | NPQE-D | - | - | - | - | 3 | - | 3 | - | 14 | |
| | | - | | | | 4 | | 4 | | | |
| | | - | | | | 6 | | 6 | | | |
| | | - | | | | 8 | | 8 | | | |
| | | - | | | | 10 | | 10 | | | |
| | | - | | | | 12 | | 12 | | | |
| | | - | | | | 14 | | 14 | | | |
|  | NPQE-D Reducing | - | - | - | - | 4 | - | 3 | - | 14 | |
| | | - | | | | 6 | | 4 | | | |
| | | - | | | | 8 | | 4, 6 | | | |
| | | - | | | | 10 | | 6, 8 | | | |
| | | - | | | | 12 | | 8, 10 | | | |
| | | - | | | | 14 | | 10, 12 | | | |
| | | Push-in connector with push-in sleeve | | | | | | | | | |
|  | NPQE-D | - | - | - | - | 3 | - | - | 4 | 15 | |
| | | - | | | | 4 | | | 6, 8 | | |
| | | - | | | | 6 | | | 8, 10, 12 | | |
| | | - | | | | 8 | | | 10, 12 | | |
| | | - | | | | 10 | | | 12 | | |
| Push-in sleeve | | | | | | | | | | | |
|  | NPQE-D | - | - | - | - | - | - | 4 | - | 16 | |
| | | - | | | | 6 | | 6 | | | |
| | | - | | | | 8 | | 8 | | | |
| | | - | | | | 10 | | 10 | | | |
| | | - | | | | 12 | | 12 | | | |
| | | - | | | | 16 | | 16 | | | |
|  | NPQE-D Reducing | - | - | - | - | - | - | 6 | - | 16 | |
| | | - | | | | 8 | | 6 | | | |
| | | - | | | | 10 | | 8 | | | |
| | | - | | | | 12 | | 8, 10 | | | |
| | | - | | | | 16 | | 12 | | | |

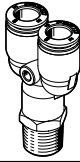
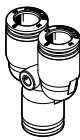
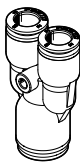
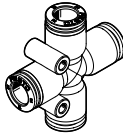

Product range overview

| Design | Version | Type | Connection D1 | | | | Connection D2 | | | → Page/ Internet | | | | | | | | | |
|---------------|---|--------|---|----------|----------|-------------|------------------|-------------|------------------|---------------------|----------------------|---|---|---|---|------|---|----|-------------|
| | | | M thread | R thread | G thread | Tubing O.D. | Push-in sleeve ø | Tubing O.D. | Push-in sleeve ø | | | | | | | | | | |
| Bulkhead |  | NPQE-H | - | - | - | 3 | - | 3 | - | 17 | | | | | | | | | |
| | | | | | | 4 | | 4 | | | | | | | | | | | |
| | | | | | | 6 | | 6 | | | | | | | | | | | |
| | | | | | | 8 | | 8 | | | | | | | | | | | |
| | | | | | | 10 | | 10 | | | | | | | | | | | |
| | | | | | | 12 | | 12 | | | | | | | | | | | |
| Blanking plug |  | NPQE-P | - | - | - | - | - | - | - | 17 | | | | | | | | | |
| | | | | | | 3 | | | | | | | | | | | | | |
| | | | | | | 4 | | | | | | | | | | | | | |
| | | | | | | 6 | | | | | | | | | | | | | |
| | | | | | | 8 | | | | | | | | | | | | | |
| | | | | | | 10 | | | | | | | | | | | | | |
| | 12 | | | | | | | | | | | | | | | | | | |
| | 16 | | | | | | | | | | | | | | | | | | |
| |  | NPQE-P | - | - | - | 3 | - | - | - | 18 | | | | | | | | | |
| | | | | | | 4 | | | | | | | | | | | | | |
| | | | | | | 6 | | | | | | | | | | | | | |
| | | | | | | 8 | | | | | | | | | | | | | |
| 10 | | | | | | | | | | | | | | | | | | | |
| 12 | | | | | | | | | | | | | | | | | | | |
| L-shape |  | NPQE-L | M3 | - | - | - | - | 3, 4 | - | 19 | | | | | | | | | |
| | | | M5 | | | | | 3, 4, 6 | | | | | | | | | | | |
| | | | M7 | | | | | 4, 6 | | | | | | | | | | | |
| | | | - | | | | | R1/8 | | | 4, 6, 8, 10, 12 | | | | | | | | |
| | | | - | | | | | R1/4 | | | 4, 6, 8, 10, 12 | | | | | | | | |
| | | | - | | | | | R3/8 | | | 6, 8, 10, 12, 14, 16 | | | | | | | | |
| | | | - | | | | | R1/2 | | | 6, 8, 10, 12, 14, 16 | | | | | | | | |
| | | |  | | | | | NPQE-L | | | M5 | - | - | - | - | 4 | - | 20 | |
| | | | | | | | | | | | - | | | | | G1/8 | | | 4, 6, 8, 10 |
| | | | | | | | | | | | - | | | | | G1/4 | | | 6, 8, 10 |
| | - | G3/8 | | 8, 10 | | | | | | | | | | | | | | | |
| |  | NPQE-L | - | - | - | - | 3 | - | 3 | - | 21 | | | | | | | | |
| | | | | | | | 4 | | 4 | | | | | | | | | | |
| | | | | | | | 6 | | 6 | | | | | | | | | | |
| | | | | | | | 8 | | 8 | | | | | | | | | | |
| | | | | | | | 10 | | 10 | | | | | | | | | | |
| | | | | | | | 12 | | 12 | | | | | | | | | | |
| | | | | | | | 14 | | 14 | | | | | | | | | | |
| | | | | | | | 16 | | 16 | | | | | | | | | | |
| |  | NPQE-L | - | - | - | 3 | - | - | 3, 4 | 21 | | | | | | | | | |
| 4 | | | | | | 4, 6 | | | | | | | | | | | | | |
| 6 | | | | | | 6, 8 | | | | | | | | | | | | | |
| 8 | | | | | | 8, 10 | | | | | | | | | | | | | |
| 10 | | | | | | 10, 12 | | | | | | | | | | | | | |
| 12 | | | | | | 12 | | | | | | | | | | | | | |

Product range overview

| Design | Version | Type | Connection D1 | | | | | Connection D2 | | → Page/ Internet |
|--|---|---------|---------------|----------|----------|-------------|------------------|-----------------|------------------|---------------------|
| | | | M thread | R thread | G thread | Tubing O.D. | Push-in sleeve ∅ | Tubing O.D. | Push-in sleeve ∅ | |
| L-shape | Push-in L-fitting – hollow bolt with external hex | | | | | | | | | |
| |  | NPQE-LH | M5 | – | – | – | – | 4, 6 | – | 22 |
| | | | – | R1/8 | – | – | – | 4, 6, 8, 10 | – | |
| | | | – | R1/4 | – | – | – | 4, 6, 8, 10, 12 | – | |
| | | | – | R3/8 | – | – | – | 6, 8, 10, 12 | – | |
| | | | – | R1/2 | – | – | – | 10, 12, 16 | – | |
| L-shape, long | Push-in L-fitting, long – Male thread with external hex | | | | | | | | | |
|  | NPQE-LL | M3 | – | – | – | – | 4 | – | 23 | |
| | | M5 | – | – | – | – | 4, 6 | – | | |
| | | M7 | – | – | – | – | 4, 6 | – | | |
| | | – | R1/8 | – | – | – | 4, 6, 8, 10, 12 | – | | |
| | | – | R1/4 | – | – | – | 4, 6, 8, 10, 12 | – | | |
| | | – | R3/8 | – | – | – | 8, 10, 12 | – | | |
| T-shape | Push-in T-fitting – male thread with external hex | | | | | | | | | |
| |  | NPQE-T | M3 | – | – | – | – | 4 | – | 24 |
| | | | M5 | – | – | – | – | 4, 6 | – | |
| | | | – | R1/8 | – | – | – | 4, 6, 8, 10, 12 | – | |
| | | | – | R1/4 | – | – | – | 4, 6, 8, 10, 12 | – | |
| | | | – | R3/8 | – | – | – | 8, 10, 12 | – | |
| | – | R1/2 | – | – | – | 10, 12, 16 | – | | | |
| | Push-in T-connector | | | | | | | | | |
| |  | NPQE-T | – | – | – | – | 3 | – | 3 | 25 |
| | | | – | – | – | – | 4 | – | 4 | |
| | | | – | – | – | – | 6 | – | 6 | |
| | | | – | – | – | – | 8 | – | 8 | |
| | | | – | – | – | – | 10 | – | 10 | |
| | – | – | – | – | 12 | – | 12 | | | |
| | – | – | – | – | 16 | – | 16 | | | |
|  | NPQE-T Increasing | – | – | – | – | 3 | – | 4 | 25 | |
| | | – | – | – | – | 4 | – | 6, 8 | | |
| | | – | – | – | – | 6 | – | 8, 10 | | |
| | | – | – | – | – | 8 | – | 10, 12 | | |
| | | – | – | – | – | 10 | – | 12 | | |
| – | – | – | – | 12 | – | 16 | | | | |
|  | NPQE-T Reducing | – | – | – | – | 6 | – | 4 | 25 | |
| | | – | – | – | – | 8 | – | 6 | | |
| | | – | – | – | – | 10 | – | 8 | | |
| | | – | – | – | – | 12 | – | 10 | | |
| Push-in T-fitting – male thread with external hex, additional push-in connector, in-line | | | | | | | | | | |
|  | NPQE-LQ | M5 | – | – | – | – | – | 4, 6 | 26 | |
| | | – | R1/8 | – | – | – | – | 4, 6, 8, 10, 12 | | |
| | | – | R1/4 | – | – | – | – | 4, 6, 8, 10, 12 | | |
| Push-in T-fitting – male thread with external hex, additional connector, female thread, in-line | | | | | | | | | | |
|  | NPQE-LT | M5 | – | – | – | – | – | 4, 6 | 27 | |
| | | – | R1/8 | – | – | – | – | 4, 6, 8, 10 | | |
| | | – | R1/4 | – | – | – | – | 6, 8, 10, 12 | | |
| | | – | R3/8 | – | – | – | – | 10, 12 | | |
| | | – | R1/2 | – | – | – | – | 12 | | |

Product range overview

| Design | Version | Type | Connection D1 | | | | | Connection D2 | | → Page/ Internet | |
|---------|---|-----------------|---------------|----------|----------|-------------|------------------|---------------|------------------|---------------------|----|
| | | | M thread | R thread | G thread | Tubing O.D. | Push-in sleeve ø | Tubing O.D. | Push-in sleeve ø | | |
| Y-shape | Push-in Y-fitting – male thread with external hex | | | | | | | | | | |
| |  | NPQE-Y | - | R1/8 | - | - | - | - | 4, 6, 8, 10 | - | 28 |
| | | | | | | | | | 4, 6, 8, 10 | | |
| | | | | | | | | | 10, 12 | | |
| | | | | | | | | | 12 | | |
| | Push-in Y-connector | | | | | | | | | | |
| |  | NPQE-Y | - | - | - | - | - | - | 3 | - | 29 |
| | | | | | | | | | 4 | | |
| | | | | | | | | | 6 | | |
| | | | | | | | | | 8 | | |
| | | | | | | | | | 10 | | |
| | | | | | | | | | 12 | | |
| |  | NPQE-Y Reducing | - | - | - | - | - | - | 4 | - | 29 |
| | | | | | | | | | 6 | | |
| 8 | | | | | | | | | | | |
| 10 | | | | | | | | | | | |
| 12 | | | | | | | | | | | |
| 16 | | | | | | | | | | | |
| X-shape | Push-in X-connector | | | | | | | | | | |
| |  | NPQE-X | - | - | - | - | - | - | 3 | - | 30 |
| | | | | | | | | | 4 | | |
| | | | | | | | | | 6 | | |
| | | | | | | | | | 8 | | |
| | | | | | | | | | 10 | | |
| | | | | | | | | | 12 | | |
| |  | NPAP-QE | - | - | - | - | - | - | 4 | - | 31 |
| | | | | | | | | | 6 | | |
| | | | | | | | | | 8 | | |
| 10 | | | | | | | | | | | |
| | | | | | | | | 12 | | | |
| | | | | | | | | 16 | | | |

Datasheet

Push-in fitting NPQE-D

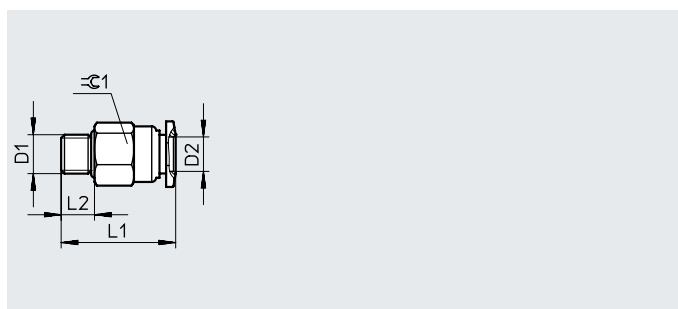
Male thread with external hex

Design:

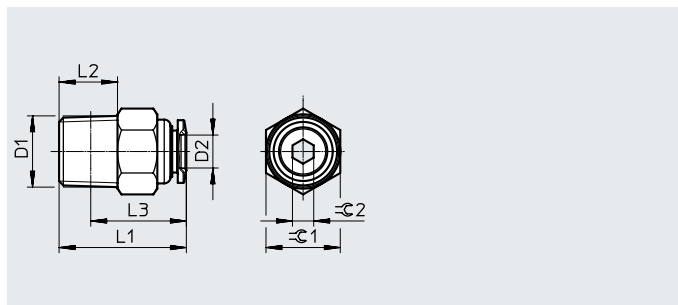
Straight shape



M thread



R thread



| Dimensions and ordering data | | | | | | | | | | | |
|--|--------------------|--------------------|-----------------|------|------|-----------------|-----------------|-------------------|----------|---------------------------------|------------------|
| Pneumatic connection | | Nominal width [mm] | Dimensions [mm] | | | | | Weight/ piece [g] | Part no. | Type | PS ¹⁾ |
| Male thread D1 | For tubing O.D. D2 | | L1 | L2 | L3 | $\varnothing 1$ | $\varnothing 2$ | | | | |
| Metric thread with sealing ring | | | | | | | | | | | |
| M3 | 3 | 1 | 14.8 | 3 | - | 5.5 | - | 1.09 | 8112906 | NPQE-D-M3-Q3-P10 | 10 |
| | 4 | 1 | 16.8 | 3 | - | 8 | - | 2.92 | 8112907 | NPQE-D-M3-Q4-P10 ²⁾ | 10 |
| M5 | 3 | 2 | 15.5 | 3.5 | - | 8 | - | 2.88 | 8112908 | NPQE-D-M5-Q3-P10 | 10 |
| | 4 | 2.3 | 17.3 | 3.5 | - | 8 | - | 2.93 | 8112909 | NPQE-D-M5-Q4-P10 ²⁾ | 10 |
| | 6 | 2.3 | 18.2 | 3.5 | - | 10 | - | 3.86 | 8112910 | NPQE-D-M5-Q6-P10 ²⁾ | 10 |
| M7 | 4 | 3 | 20.1 | 6 | - | 10 | - | 6.43 | 8112911 | NPQE-D-M7-Q4-P10 ²⁾ | 10 |
| | 6 | 3.5 | 20.6 | 6 | - | 10 | - | 5.22 | 8112912 | NPQE-D-M7-Q6-P10 ²⁾ | 10 |
| R thread | | | | | | | | | | | |
| R1/8 | 4 | 3 | 19.4 | 8 | 15.4 | 10 | - | 6.66 | 8112913 | NPQE-D-R18-Q4-P10 ²⁾ | 10 |
| | 6 | 4 | 19.5 | 8 | 15.5 | 10 | - | 5.74 | 8112914 | NPQE-D-R18-Q6-P10 ²⁾ | 10 |
| | 8 | 5 | 28.1 | 8.5 | 24.1 | 14 | 5 | 14.75 | 8112915 | NPQE-D-R18-Q8-P10 | 10 |
| | 10 | 5 | 30.4 | 8.5 | 26.4 | 17 | 5 | 20.26 | 8112916 | NPQE-D-R18-Q10-P10 | 10 |
| | 12 | 5 | 32.4 | 8.5 | 28.4 | 21 | 5 | 27.95 | 8112917 | NPQE-D-R18-Q12-P10 | 10 |
| R1/4 | 4 | 3 | 19.4 | 11 | 13.4 | 14 | 3 | 15.2 | 8112918 | NPQE-D-R14-Q4-P10 | 10 |
| | 6 | 4 | 24 | 11 | 18 | 14 | 4 | 17.16 | 8112919 | NPQE-D-R14-Q6-P10 | 10 |
| | 8 | 6 | 26.1 | 11 | 20.1 | 14 | 6 | 13.08 | 8112920 | NPQE-D-R14-Q8-P10 | 10 |
| | 10 | 6 | 32.7 | 11.5 | 26.7 | 17 | 6 | 25.08 | 8112921 | NPQE-D-R14-Q10-P10 | 10 |
| | 12 | 6 | 35.4 | 11.5 | 29.4 | 21 | 6 | 30.53 | 8112922 | NPQE-D-R14-Q12-P10 | 10 |
| R3/8 | 6 | 4 | 22 | 12 | 15.6 | 17 | 4 | 23.17 | 8112923 | NPQE-D-R38-Q6-P5 | 5 |
| | 8 | 6 | 23.7 | 12 | 17.3 | 17 | 6 | 20.58 | 8112924 | NPQE-D-R38-Q8-P5 | 5 |
| | 10 | 8 | 28.4 | 12 | 22 | 17 | 8 | 23.59 | 8112925 | NPQE-D-R38-Q10-P5 | 5 |
| | 12 | 8 | 31.4 | 12.5 | 25 | 21 | 8 | 32.45 | 8112926 | NPQE-D-R38-Q12-P5 | 5 |
| | 14 | 8 | 39.2 | 12.5 | 32.8 | 22 | 8 | 46.8 | 8112927 | NPQE-D-R38-Q14-P5 | 5 |
| | 16 | 8 | 40.1 | 12.5 | 33.7 | 24 | 8 | 48.2 | 8112928 | NPQE-D-R38-Q16-P5 | 5 |
| R1/2 | 6 | 4 | 26 | 15 | 17.8 | 21 | 4 | 46.67 | 8112929 | NPQE-D-R12-Q6-P5 | 5 |
| | 8 | 6 | 27.1 | 15 | 18.9 | 21 | 6 | 41.88 | 8112930 | NPQE-D-R12-Q8-P5 | 5 |
| | 10 | 8 | 26.8 | 15 | 18.6 | 21 | 8 | 35.66 | 8112931 | NPQE-D-R12-Q10-P5 | 5 |
| | 12 | 8 | 34.1 | 15 | 25.9 | 21 | 8 | 43.13 | 8112932 | NPQE-D-R12-Q12-P5 | 5 |
| | 14 | 10 | 35.7 | 15 | 27.5 | 22 | 10 | 43 | 8112933 | NPQE-D-R12-Q14-P5 | 5 |
| | 16 | 10 | 37.1 | 15.5 | 28.9 | 24 | 10 | 46.9 | 8112934 | NPQE-D-R12-Q16-P5 | 5 |

1) Pack size

2) Not suitable for safety clip NPAP-QE

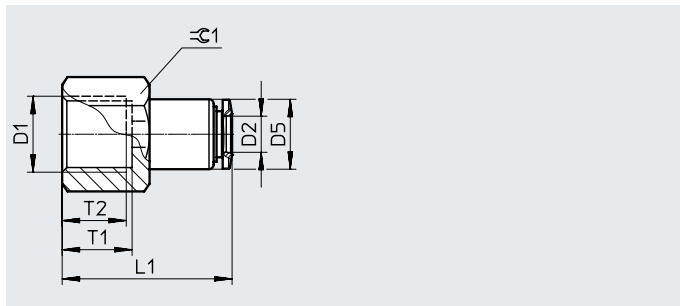
Datasheet

Push-in fitting NPQE-D

Female thread with external hex

Design:

Straight shape



| Dimensions and ordering data | | | | | | | | | | | |
|------------------------------|-----------------|---------------|-----------------|------|----|-----|-----|---------------|----------|---------------------------------|------------------|
| Pneumatic connection | | Nominal width | Dimensions [mm] | | | | | Weight/ piece | Part no. | Type | PS ¹⁾ |
| Female thread | For tubing O.D. | | D5 ∅ | L1 | T1 | T2 | ≅ 1 | | | | |
| D1 | D2 | [mm] | | | | | [g] | | | | |
| Metric thread | | | | | | | | | | | |
| M5 | 3 | 2.2 | 7 | 17.3 | 6 | 5.5 | 8 | 3.56 | 8112984 | NPQE-D-M5F-Q3-P10 | 10 |
| | 4 | 2.5 | 8 | 19.6 | 6 | 5.5 | 10 | 5 | 8112985 | NPQE-D-M5F-Q4-P10 ²⁾ | 10 |
| G thread | | | | | | | | | | | |
| G1/8 | 4 | 2.5 | 10 | 24.8 | 9 | 8 | 14 | 13.92 | 8112986 | NPQE-D-G18F-Q4-P10 | 10 |
| | 6 | 4.5 | 12 | 26.1 | 9 | 8 | 14 | 15.67 | 8112987 | NPQE-D-G18F-Q6-P10 | 10 |
| | 8 | 6 | 14 | 28.1 | 9 | 8 | 14 | 16.98 | 8112988 | NPQE-D-G18F-Q8-P10 | 10 |
| | 10 | 8 | 17 | 30.1 | 9 | 8 | 17 | 27.66 | 8112989 | NPQE-D-G18F-Q10-P10 | 10 |
| G1/4 | 4 | 2.5 | 10 | 27.8 | 12 | 11 | 17 | 22.8 | 8112990 | NPQE-D-G14F-Q4-P10 | 10 |
| | 6 | 4.5 | 12 | 29.1 | 12 | 11 | 17 | 22.67 | 8112991 | NPQE-D-G14F-Q6-P10 | 10 |
| | 8 | 6 | 14 | 31.1 | 12 | 11 | 17 | 24.58 | 8112992 | NPQE-D-G14F-Q8-P10 | 10 |
| | 10 | 8 | 17 | 33.1 | 12 | 11 | 17 | 26.76 | 8112993 | NPQE-D-G14F-Q10-P10 | 10 |
| G3/8 | 12 | 10 | 20 | 35.6 | 12 | 11 | 21 | 47.23 | 8112994 | NPQE-D-G14F-Q12-P10 | 10 |
| | 6 | 4.5 | 12 | 30.1 | 13 | 12 | 21 | 32.67 | 8112995 | NPQE-D-G38F-Q6-P5 | 5 |
| | 8 | 6 | 14 | 32.1 | 13 | 12 | 21 | 38.57 | 8112996 | NPQE-D-G38F-Q8-P5 | 5 |
| | 10 | 8 | 17 | 34.1 | 13 | 12 | 21 | 36.86 | 8112997 | NPQE-D-G38F-Q10-P5 | 5 |
| G1/2 | 12 | 10 | 20 | 36.6 | 13 | 12 | 21 | 40.93 | 8112998 | NPQE-D-G38F-Q12-P5 | 5 |
| | 12 | 10 | 20 | 38.6 | 15 | 14 | 24 | 48.53 | 8112999 | NPQE-D-G12F-Q12-P5 | 5 |
| | 16 | 14 | 23.8 | 41.1 | 15 | 14 | 24 | 59.1 | 8113000 | NPQE-D-G12F-Q16-P5 | 5 |

1) Pack size

2) Not suitable for safety clip NPAP-QE

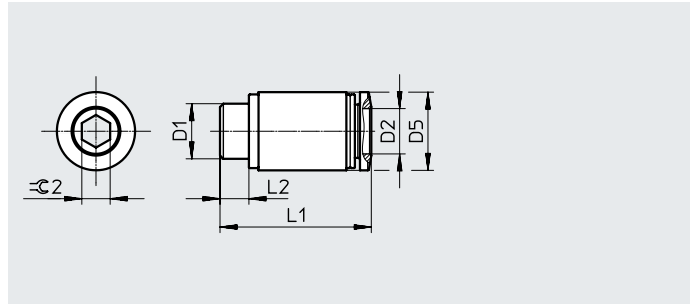
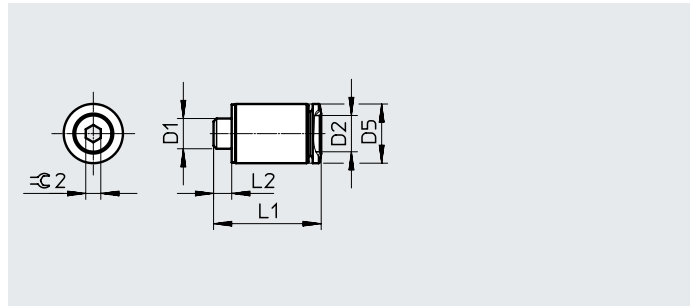
Datasheet

Push-in fitting NPQE-DK

Male thread with internal hex

Design:

Straight shape



| Dimensions and ordering data | | D5 ø | L1 | L2 | -0.2 S2 | Weight/ piece [g] | Part no. | Type | PS ¹⁾ |
|------------------------------|-----------------|---------|------|-----|------------|-------------------------|----------|----------------------------------|------------------|
| Pneumatic connection | For tubing O.D. | | | | | | | | |
| Male thread | | | | | | | | | |
| D1 | D2 | | | | | | | | |
| Metric thread | | | | | | | | | |
| M3 | 3 | 8 | 15.5 | 2.5 | 1.5 | 2.5 | 8112964 | NPQE-DK-M3-Q3-P10 | 10 |
| | 4 | 8 | 16.4 | 2.5 | 1.5 | 2.1 | 8112965 | NPQE-DK-M3-Q4-P10 ²⁾ | 10 |
| M5 | 3 | 8 | 15.9 | 3 | 2 | 3 | 8112966 | NPQE-DK-M5-Q3-P10 | 10 |
| | 4 | 8 | 17.3 | 3 | 2.5 | 2.85 | 8112967 | NPQE-DK-M5-Q4-P10 ²⁾ | 10 |
| | 6 | 10 | 17.8 | 3 | 2.5 | 3.6 | 8112968 | NPQE-DK-M5-Q6-P10 ²⁾ | 10 |
| M7 | 4 | 10 | 18.8 | 5.5 | 3 | 4.8 | 8112969 | NPQE-DK-M7-Q4-P10 ²⁾ | 10 |
| | 6 | 10 | 20.4 | 5.5 | 4 | 4.3 | 8112970 | NPQE-DK-M7-Q6-P10 ²⁾ | 10 |
| G thread | | | | | | | | | |
| G1/8 | 4 | 13 | 16.2 | 5.1 | 3 | 6.5 | 8112971 | NPQE-DK-G18-Q4-P10 ²⁾ | 10 |
| | 6 | 13 | 18.2 | 5.1 | 4 | 7.2 | 8112972 | NPQE-DK-G18-Q6-P10 ²⁾ | 10 |
| | 8 | 14 | 25.7 | 4.2 | 5 | 11.6 | 8112973 | NPQE-DK-G18-Q8-P10 | 10 |
| | 10 | 17 | 28.3 | 4.2 | 5 | 17.5 | 8112974 | NPQE-DK-G18-Q10-P10 | 10 |
| G1/4 | 6 | 17 | 20.1 | 4.8 | 4 | 12.8 | 8112975 | NPQE-DK-G14-Q6-P10 | 10 |
| | 8 | 17 | 24.4 | 4.8 | 6 | 14 | 8112976 | NPQE-DK-G14-Q8-P10 | 10 |
| | 10 | 17 | 28.9 | 4.8 | 7 | 19.5 | 8112977 | NPQE-DK-G14-Q10-P10 | 10 |
| | 12 | 20 | 31.1 | 4.8 | 7 | 26.8 | 8112978 | NPQE-DK-G14-Q12-P10 | 10 |

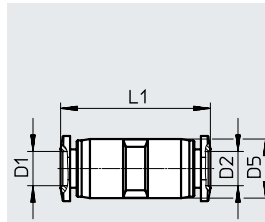
1) Pack size

2) Not suitable for safety clip NPAP-QE

Datasheet

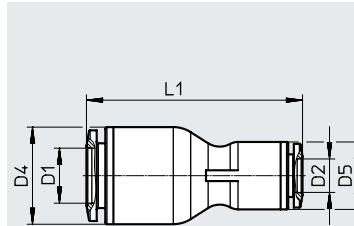
Push-in connector NPQE-D

Design:
Straight shape



NPQE-D-Q...-E

Reducing:
NPQE-D-Q4-Q3-P10
NPQE-D-Q6-Q4-P10
NPQE-D-Q14-Q12-P5



Reducing

Dimensions and ordering data

| Pneumatic connection | | Nominal width [mm] | Dimensions [mm] | | | Weight/ piece [g] | Part no. | Type | PS ¹⁾ |
|-----------------------|-----------------------|-----------------------|-----------------|---------|------|-------------------------|----------------|---------------------------------------|------------------|
| For tubing O.D. D1 | For tubing O.D. D2 | | D4 ∅ | D5 ∅ | L1 | | | | |
| 3 | 3 | 2.2 | – | 6.2 | 20.2 | 1.03 | 8113103 | NPQE-D-Q3-E-P10 | 10 |
| 4 | 4 | 2.3 | – | 8.1 | 26 | 2.04 | 8113105 | NPQE-D-Q4-E-P10 ²⁾ | 10 |
| 6 | 6 | 4 | – | 10.7 | 27.1 | 3.11 | 8113107 | NPQE-D-Q6-E-P10 ²⁾ | 10 |
| 8 | 8 | 7.1 | – | 14 | 38.5 | 6.4 | 8113110 | NPQE-D-Q8-E-P10 | 10 |
| 10 | 10 | 9.3 | – | 18 | 47.2 | 12.54 | 8113113 | NPQE-D-Q10-E-P10 | 10 |
| 12 | 12 | 10 | – | 20.6 | 48.8 | 16.06 | 8113116 | NPQE-D-Q12-E-P10 | 10 |
| 14 | 14 | 13 | – | 23.5 | 50.8 | 19.88 | 8113119 | NPQE-D-Q14-E-P5 | 5 |
| 16 | 16 | 13 | – | 25 | 50 | 22.4 | 8113120 | NPQE-D-Q16-E-P5 | 5 |
| Reducing | | | | | | | | | |
| 4 | 3 | 2.3 | – | 8.1 | 25.5 | 1.8 | 8113104 | NPQE-D-Q4-Q3-P10 ²⁾ | 10 |
| 6 | 4 | 2.3 | – | 10.7 | 26.9 | 3.02 | 8113106 | NPQE-D-Q6-Q4-P10 ²⁾ | 10 |
| 8 | 4 | 3.5 | 14 | 10.5 | 35.5 | 5.29 | 8113108 | NPQE-D-Q8-Q4-P10 | 10 |
| | 6 | 5.3 | 14 | 12.5 | 34.6 | 5.57 | 8113109 | NPQE-D-Q8-Q6-P10 | 10 |
| 10 | 6 | 5.3 | 18 | 12.5 | 40.1 | 8.95 | 8113111 | NPQE-D-Q10-Q6-P10 | 10 |
| | 8 | 7.1 | 18 | 14 | 39.5 | 9.07 | 8113112 | NPQE-D-Q10-Q8-P10 | 10 |
| 12 | 8 | 7.1 | 20.6 | 14 | 43.9 | 11.98 | 8113114 | NPQE-D-Q12-Q8-P10 | 10 |
| | 10 | 9.3 | 20.6 | 18 | 44.4 | 13.7 | 8113115 | NPQE-D-Q12-Q10-P10 | 10 |
| 14 | 10 | 9.3 | 23.5 | 18 | 48.4 | 18.22 | 8113117 | NPQE-D-Q14-Q10-P5 | 5 |
| | 12 | 10 | – | 23.5 | 50.4 | 22.59 | 8113118 | NPQE-D-Q14-Q12-P5 | 5 |

1) Pack size

2) Not suitable for safety clip NPAP-QE

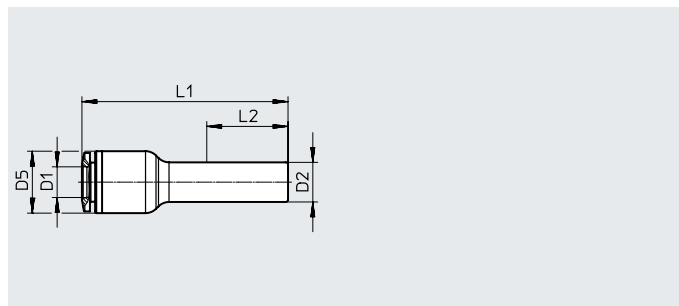
Datasheet

Push-in connector NPQE-D

With push-in sleeve

Design:

Straight shape



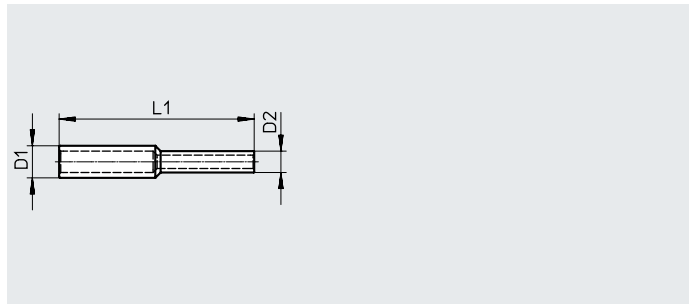
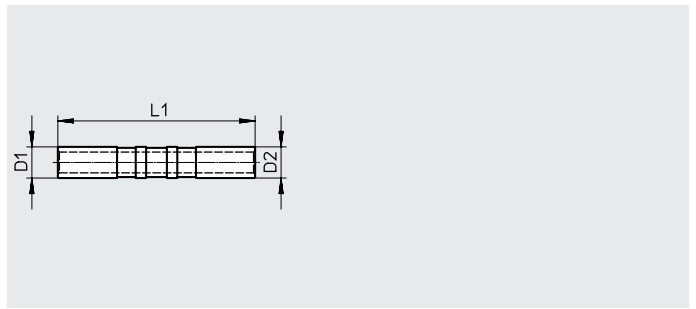
| Dimensions and ordering data | | | | | | | | | |
|------------------------------|----------------|---------------|-----------------|------|------|------------------|----------|--------------------|------------------|
| Pneumatic connection | | Nominal width | Dimensions [mm] | | | Weight/ piece | Part no. | Type | PS ¹⁾ |
| For tubing O.D. | Push-in sleeve | | D5 ∅ | L1 | L2 | | | | |
| D1 | D2 | [mm] | | | | [g] | | | |
| 3 | QS-4 | 2.5 | 6.2 | 27.6 | 12.4 | 0.7 | 8113183 | NPQE-D-Q3-S4-P10 | 10 |
| 4 | QS-6 | 3.5 | 10.5 | 39.5 | 15.9 | 2.5 | 8113184 | NPQE-D-Q4-S6-P10 | 10 |
| | QS-8 | 3.5 | 13 | 41.5 | 18.3 | 3.97 | 8113185 | NPQE-D-Q4-S8-P10 | 10 |
| 6 | QS-8 | 5 | 12.5 | 41.6 | 18.3 | 3.27 | 8113186 | NPQE-D-Q6-S8-P10 | 10 |
| | QS-10 | 5.5 | 12.5 | 42.4 | 21.1 | 4.42 | 8113187 | NPQE-D-Q6-S10-P10 | 10 |
| | QS-12 | 4.6 | 12.5 | 44 | 22.7 | 4.54 | 8113189 | NPQE-D-Q6-S12-P10 | 10 |
| 8 | QS-10 | 7 | 14 | 46.8 | 21.1 | 5 | 8113188 | NPQE-D-Q8-S10-P10 | 10 |
| | QS-12 | 7.5 | 14 | 46.8 | 22.7 | 6.1 | 8113190 | NPQE-D-Q8-S12-P10 | 10 |
| 10 | QS-12 | 8.5 | 18 | 52.3 | 22.7 | 8.37 | 8113191 | NPQE-D-Q10-S12-P10 | 10 |

1) Pack size

Datasheet

Push-in sleeve NPQE-D

Design:
Straight shape



Reducing

Dimensions and ordering data

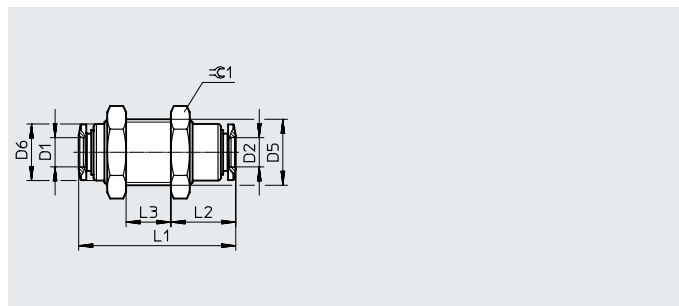
| Pneumatic connection | | Nominal width [mm] | Dimensions [mm] | Weight/ piece [g] | Part no. | Type | PS ¹⁾ |
|----------------------|-------------------|--------------------|-----------------|-------------------|----------|--------------------|------------------|
| Push-in sleeve D1 | Push-in sleeve D2 | | | | | | |
| | | | L1 | | | | |
| QS-4 | QS-4 | 2.5 | 35 | 0.34 | 8113210 | NPQE-D-S4-E-P10 | 10 |
| QS-6 | QS-6 | 4 | 38 | 0.72 | 8113212 | NPQE-D-S6-E-P10 | 10 |
| QS-8 | QS-8 | 6 | 41.5 | 1.07 | 8113214 | NPQE-D-S8-E-P10 | 10 |
| QS-10 | QS-10 | 7.5 | 46 | 1.8 | 8113216 | NPQE-D-S10-E-P10 | 10 |
| QS-12 | QS-12 | 9 | 53 | 3.12 | 8113219 | NPQE-D-S12-E-P10 | 10 |
| QS-16 | QS-16 | 13 | 55.5 | 4.42 | 8113221 | NPQE-D-S16-E-P5 | 5 |
| Reducing | | | | | | | |
| QS-6 | QS-4 | 2.5 | 36.5 | 0.56 | 8113211 | NPQE-D-S6-S4-P10 | 10 |
| QS-8 | QS-6 | 4 | 40.5 | 1 | 8113213 | NPQE-D-S8-S6-P10 | 10 |
| QS-10 | QS-8 | 6 | 44 | 1.62 | 8113215 | NPQE-D-S10-S8-P10 | 10 |
| QS-12 | QS-8 | 6 | 47.5 | 2.3 | 8113217 | NPQE-D-S12-S8-P10 | 10 |
| | QS-10 | 7.5 | 49.5 | 2.71 | 8113218 | NPQE-D-S12-S10-P10 | 10 |
| QS-16 | QS-12 | 9 | 54.5 | 5.45 | 8113220 | NPQE-D-S16-S12-P5 | 5 |

1) Pack size

Datasheet

Push-in bulkhead connector NPQE-H

Design:
Bulkhead

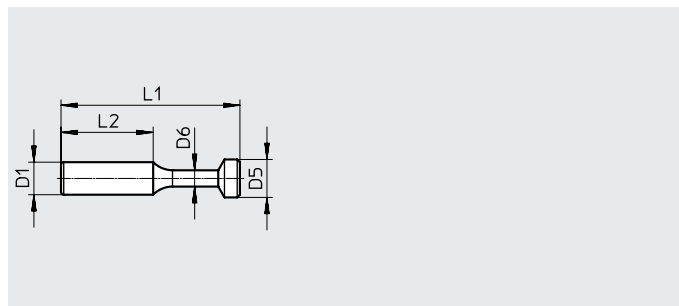
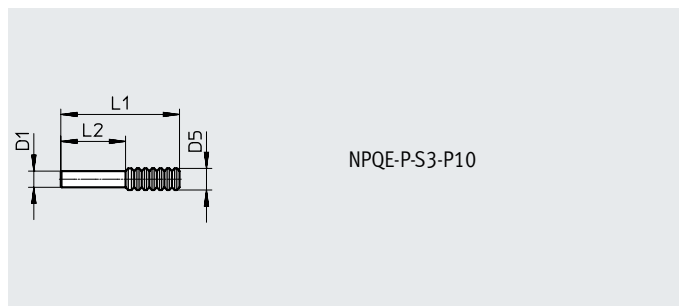
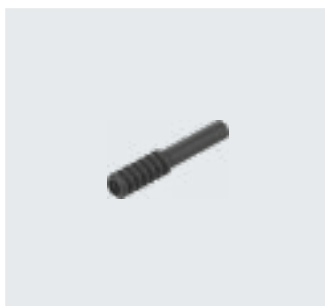


| Pneumatic connection | | Nominal width [mm] | Dimensions [mm] | | | | | | Weight/ piece [g] | Part no. | Type | PS ¹⁾ |
|-----------------------|-----------------------|-----------------------|-----------------|---------|------|------|------|------|-------------------------|----------|------------------|------------------|
| For tubing O.D. D1 | For tubing O.D. D2 | | D5 | D6 ∅ | L1 | L2 | L3 | ±0.1 | | | | |
| 3 | 3 | 2.2 | M8x0.75 | 5.5 | 22.4 | 8.5 | 7.6 | 10 | 6.1 | 8113121 | NPQE-H-Q3-E-P10 | 10 |
| 4 | 4 | 2.5 | M12x1 | 10 | 31.1 | 11.9 | 10.7 | 14 | 9.74 | 8113122 | NPQE-H-Q4-E-P10 | 10 |
| 6 | 6 | 4.5 | M14x1 | 12 | 33.3 | 13.7 | 9.5 | 17 | 18.64 | 8113123 | NPQE-H-Q6-E-P10 | 10 |
| 8 | 8 | 6 | M16x1 | 14 | 37.7 | 16.2 | 9.8 | 19 | 24.76 | 8113124 | NPQE-H-Q8-E-P10 | 10 |
| 10 | 10 | 8 | M20x1 | 17 | 41.8 | 16.9 | 11.9 | 24 | 48.9 | 8113125 | NPQE-H-Q10-E-P10 | 10 |
| 12 | 12 | 10 | M22x1 | 20 | 46.9 | 18.8 | 14.8 | 27 | 56.06 | 8113126 | NPQE-H-Q12-E-P10 | 10 |

1) Pack size

Blanking plug NPQE-P

Design:
Blanking plug



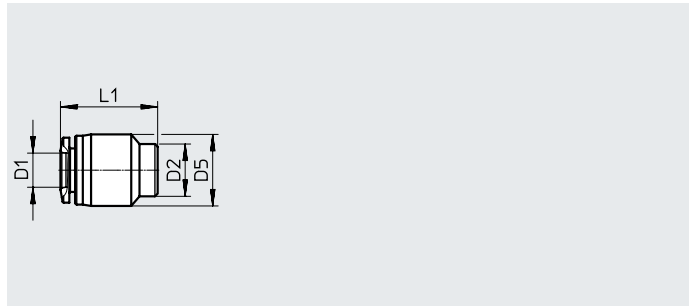
| Pneumatic connection | | Dimensions [mm] | | | | Weight/ piece [g] | Part no. | Type | PS ¹⁾ |
|----------------------|--|-----------------|---------|----|------|-------------------------|----------|----------------|------------------|
| Push-in sleeve D1 | | D5 ∅ | D6 ∅ | L1 | L2 | | | | |
| QS-3 | | 4 | - | 22 | 12 | 0.25 | 8113203 | NPQE-P-S3-P10 | 10 |
| QS-4 | | 5 | 3 | 28 | 15 | 0.35 | 8113204 | NPQE-P-S4-P10 | 10 |
| QS-6 | | 7 | 3 | 33 | 17 | 0.9 | 8113205 | NPQE-P-S6-P10 | 10 |
| QS-8 | | 9 | 4 | 37 | 18 | 1.3 | 8113206 | NPQE-P-S8-P10 | 10 |
| QS-10 | | 11 | 5 | 42 | 20.5 | 1.7 | 8113207 | NPQE-P-S10-P10 | 10 |
| QS-12 | | 13 | 6 | 42 | 23 | 2.8 | 8113208 | NPQE-P-S12-P10 | 10 |
| QS-16 | | 17 | 8 | 46 | 24 | 5.07 | 8113209 | NPQE-P-S16-P5 | 5 |

1) Pack size

Datasheet

Push-in cap NPQE-P

Design:
Push-in cap



Dimensions and ordering data

| Pneumatic connection For tubing O.D. D1 | Dimensions [mm] | | | Weight/ piece [g] | Part no. | Type | PS ¹⁾ |
|---|-----------------|---------|------|-------------------------|----------|----------------|------------------|
| | D2 ø | D5 ø | L1 | | | | |
| 3 | 4.4 | 6.2 | 10.6 | 0.51 | 8113171 | NPQE-P-Q3-P10 | 10 |
| 4 | 7.5 | 11 | 16.6 | 2 | 8113172 | NPQE-P-Q4-P10 | 10 |
| 6 | 9.5 | 13 | 17.7 | 2.7 | 8113173 | NPQE-P-Q6-P10 | 10 |
| 8 | 11.2 | 15 | 20.3 | 3.71 | 8113174 | NPQE-P-Q8-P10 | 10 |
| 10 | 13.8 | 18.4 | 23.1 | 6.42 | 8113175 | NPQE-P-Q10-P10 | 10 |
| 12 | 16.3 | 21.5 | 25.2 | 9.03 | 8113176 | NPQE-P-Q12-P10 | 10 |

1) Pack size

Datasheet

Push-in L-fitting NPQE-L

Male thread with external hex

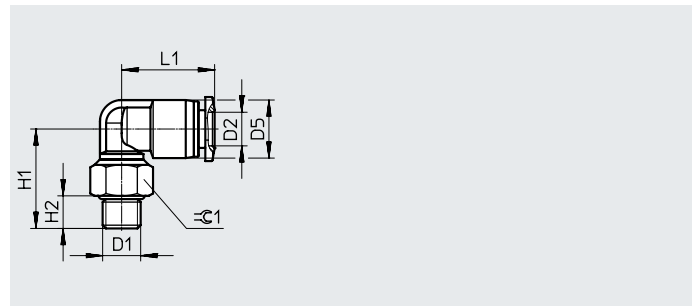
Can be aligned after mounting

Design:

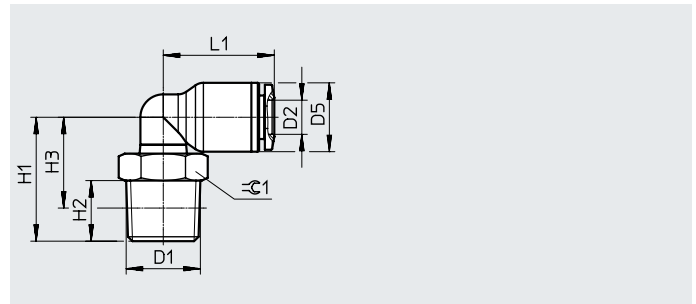
L-shape



M thread



R thread



Dimensions and ordering data

| Pneumatic connection | | Nominal width | Dimensions [mm] | | | | | | Weight/ piece | Part no. | Type | PS ¹⁾ |
|--|-----------------|---------------|-----------------|------|------|------|------|--------|---------------|----------|--------------------------------|------------------|
| Male thread | For tubing O.D. | | D5 ∅ | H1 | H2 | H3 | L1 | ≈ 1/16 | | | | |
| D1 | D2 | [mm] | | | | | | [g] | | | | |
| Metric thread with sealing ring | | | | | | | | | | | | |
| M3 | 3 | 1 | 6.2 | 12.7 | 3 | – | 11.3 | 5.5 | 1.42 | 8112935 | NPQE-L-M3-Q3-P10 | 10 |
| | 4 | 1 | 8.1 | 14.1 | 3 | – | 16.4 | 8 | 3.62 | 8112936 | NPQE-L-M3-Q4-P10 ²⁾ | 10 |
| M5 | 3 | 2.2 | 6.2 | 14.6 | 3.5 | – | 11.3 | 8 | 2.77 | 8112937 | NPQE-L-M5-Q3-P10 | 10 |
| | 4 | 2.3 | 8.1 | 14.6 | 3.5 | – | 16.4 | 8 | 3.55 | 8112938 | NPQE-L-M5-Q4-P10 ²⁾ | 10 |
| | 6 | 2.3 | 10.7 | 16.3 | 3.5 | – | 17.1 | 8 | 4.18 | 8112939 | NPQE-L-M5-Q6-P10 ²⁾ | 10 |
| M7 | 4 | 2.3 | 8.1 | 16.6 | 6 | – | 16.4 | 10 | 6.4 | 8112940 | NPQE-L-M7-Q4-P10 ²⁾ | 10 |
| | 6 | 2.3 | 10.7 | 18.3 | 6 | – | 17.1 | 10 | 7.03 | 8112941 | NPQE-L-M7-Q6-P10 ²⁾ | 10 |
| R thread | | | | | | | | | | | | |
| R1/8 | 4 | 3.4 | 10.5 | 19 | 8 | 15 | 18.8 | 10 | 7.9 | 8112942 | NPQE-L-R18-Q4-P10 | 10 |
| | 6 | 4 | 12.5 | 20 | 8 | 16 | 20.1 | 10 | 8.69 | 8112943 | NPQE-L-R18-Q6-P10 | 10 |
| | 8 | 6 | 14 | 23.4 | 8 | 19.4 | 22.5 | 10 | 6.94 | 8112944 | NPQE-L-R18-Q8-P10 | 10 |
| | 10 | 6.5 | 18 | 25.2 | 8.5 | 21.2 | 27 | 17 | 22.35 | 8112945 | NPQE-L-R18-Q10-P10 | 10 |
| | 12 | 6.5 | 20.6 | 26.7 | 8.5 | 22.7 | 28.5 | 17 | 24.01 | 8112946 | NPQE-L-R18-Q12-P10 | 10 |
| R1/4 | 4 | 3.4 | 10.5 | 21.5 | 11 | 15.5 | 18.8 | 14 | 14.27 | 8112947 | NPQE-L-R14-Q4-P10 | 10 |
| | 6 | 4 | 12.5 | 22.5 | 11 | 16.5 | 20.1 | 14 | 15.06 | 8112948 | NPQE-L-R14-Q6-P10 | 10 |
| | 8 | 6 | 14 | 23 | 11 | 17 | 22.5 | 14 | 7.4 | 8112949 | NPQE-L-R14-Q8-P10 | 10 |
| | 10 | 8.5 | 18 | 28.3 | 11.5 | 22.3 | 27 | 17 | 26.25 | 8112950 | NPQE-L-R14-Q10-P10 | 10 |
| | 12 | 8.5 | 20.6 | 29.8 | 11.5 | 23.8 | 28.5 | 17 | 27.91 | 8112951 | NPQE-L-R14-Q12-P10 | 10 |
| R3/8 | 6 | 4 | 12.5 | 24 | 12 | 17.6 | 20.1 | 17 | 23.96 | 8112952 | NPQE-L-R38-Q6-P5 | 5 |
| | 8 | 6 | 14 | 24.5 | 12 | 18.1 | 22.5 | 17 | 22.44 | 8112953 | NPQE-L-R38-Q8-P5 | 5 |
| | 10 | 9.3 | 18 | 26.3 | 12 | 19.9 | 27 | 17 | 26.05 | 8112954 | NPQE-L-R38-Q10-P5 | 5 |
| | 12 | 9.5 | 20.6 | 27.8 | 12 | 21.4 | 28.5 | 17 | 27.71 | 8112955 | NPQE-L-R38-Q12-P5 | 5 |
| | 14 | 11.5 | 23.5 | 36.2 | 12.5 | 29.8 | 33.4 | 20 | 41.23 | 8112956 | NPQE-L-R38-Q14-P5 | 5 |
| | 16 | 11.5 | 25 | 35.7 | 12.5 | 29.3 | 33.5 | 20 | 40.97 | 8112957 | NPQE-L-R38-Q16-P5 | 5 |
| R1/2 | 6 | 4 | 12.5 | 27 | 15 | 18.8 | 20.1 | 21 | 44.89 | 8112958 | NPQE-L-R12-Q6-P5 | 5 |
| | 8 | 6 | 14 | 27.5 | 15 | 19.3 | 22.5 | 21 | 39.94 | 8112959 | NPQE-L-R12-Q8-P5 | 5 |
| | 10 | 9.3 | 18 | 29.3 | 15 | 21.1 | 27 | 21 | 41.85 | 8112960 | NPQE-L-R12-Q10-P5 | 5 |
| | 12 | 9.5 | 20.6 | 30.8 | 15 | 22.6 | 28.5 | 21 | 43.51 | 8112961 | NPQE-L-R12-Q12-P5 | 5 |
| | 14 | 13 | 23.5 | 38.7 | 15 | 30.5 | 33.4 | 21 | 52.73 | 8112962 | NPQE-L-R12-Q14-P5 | 5 |
| | 16 | 13 | 25 | 38.2 | 15 | 30 | 33.5 | 21 | 52.47 | 8112963 | NPQE-L-R12-Q16-P5 | 5 |

1) Pack size

2) Not suitable for safety clip NPAP-QE

Datasheet

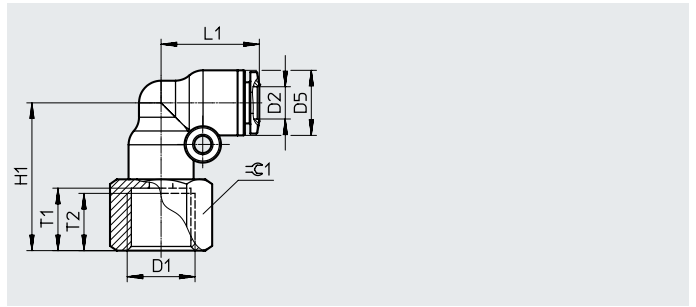
Push-in L-fitting NPQE-L

Female thread with external hex

Can be aligned after mounting

Design:

L-shape



Dimensions and ordering data

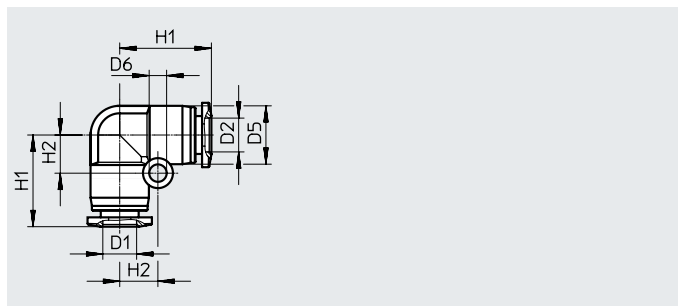
| Pneumatic connection | | Nominal width | Dimensions [mm] | | | | | | Weight/ piece | Part no. | Type | PS ¹⁾ |
|----------------------|-----------------|---------------|-----------------|------|------|----|-----|-------|---------------|----------------|----------------------------|------------------|
| Female thread | For tubing O.D. | | D5 ∅ | H1 | L1 | T1 | T2 | ± 0.1 | | | | |
| D1 | D2 | [mm] | | | | | | [g] | | | | |
| Metric thread | | | | | | | | | | | | |
| M5 | 4 | 2.5 | 10.5 | 18.5 | 17.5 | 6 | 5.5 | 10 | 8.07 | 8113001 | NPQE-L-M5F-Q4-P10 | 10 |
| G thread | | | | | | | | | | | | |
| G1/8 | 4 | 2.5 | 10.5 | 24 | 17.5 | 9 | 8 | 14 | 14.67 | 8113002 | NPQE-L-G18F-Q4-P10 | 10 |
| | 6 | 4.5 | 12.5 | 25.4 | 18.7 | 9 | 8 | 14 | 16.97 | 8113003 | NPQE-L-G18F-Q6-P10 | 10 |
| | 8 | 6 | 14 | 28.3 | 22.5 | 9 | 8 | 14 | 20.2 | 8113004 | NPQE-L-G18F-Q8-P10 | 10 |
| | 10 | 8 | 18 | 27.3 | 27.2 | 9 | 8 | 17 | 28.25 | 8113005 | NPQE-L-G18F-Q10-P10 | 10 |
| G1/4 | 6 | 4.5 | 12.5 | 28.4 | 18.7 | 12 | 11 | 17 | 22.97 | 8113006 | NPQE-L-G14F-Q6-P10 | 10 |
| | 8 | 6 | 14 | 31.3 | 22.5 | 12 | 11 | 17 | 25.7 | 8113007 | NPQE-L-G14F-Q8-P10 | 10 |
| | 10 | 8.5 | 18 | 35.3 | 27.2 | 12 | 11 | 17 | 33.76 | 8113008 | NPQE-L-G14F-Q10-P10 | 10 |
| G3/8 | 8 | 6 | 14 | 33 | 22.5 | 13 | 12 | 21 | 36.2 | 8113009 | NPQE-L-G38F-Q8-P5 | 5 |
| | 10 | 8 | 18 | 37.3 | 27.2 | 13 | 12 | 21 | 44.76 | 8113010 | NPQE-L-G38F-Q10-P5 | 5 |

1) Pack size

Datasheet

Push-in L-connector NPQE-L

Design:
L-shape



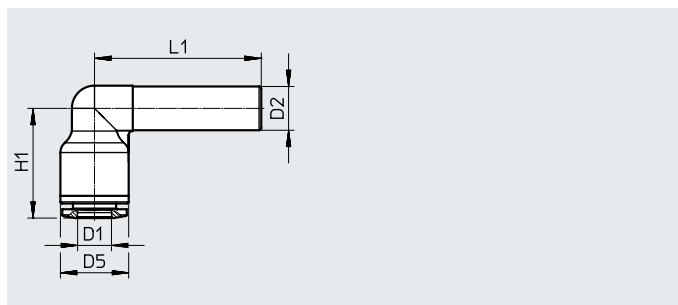
| Dimensions and ordering data | | | | | | | | | | |
|------------------------------|-----------------|---------------|-----------------|---------|------|------|---------------|----------|-------------------------------|------------------|
| Pneumatic connection | | Nominal width | Dimensions [mm] | | | | Weight/ piece | Part no. | Type | PS ¹⁾ |
| For tubing O.D. | For tubing O.D. | | D5 ∅ | D6 ∅ | H1 | H2 | | | | |
| D1 | D2 | [mm] | | | | | [g] | | | |
| 3 | 3 | 2.2 | 6.2 | 3.2 | 11.6 | 4.7 | 1.13 | 8113127 | NPQE-L-Q3-E-P10 | 10 |
| 4 | 4 | 2.3 | 8.1 | 3.2 | 15.1 | 6 | 2.31 | 8113128 | NPQE-L-Q4-E-P10 ²⁾ | 10 |
| 6 | 6 | 4 | 10.7 | 3.2 | 16.8 | 7 | 4.21 | 8113129 | NPQE-L-Q6-E-P10 ²⁾ | 10 |
| 8 | 8 | 7.1 | 14 | 3.3 | 22.5 | 10 | 7 | 8113130 | NPQE-L-Q8-E-P10 | 10 |
| 10 | 10 | 9.3 | 18 | 4.3 | 27.3 | 12 | 13.54 | 8113131 | NPQE-L-Q10-E-P10 | 10 |
| 12 | 12 | 10 | 20.6 | 4.3 | 29.3 | 13.5 | 17.96 | 8113132 | NPQE-L-Q12-E-P10 | 10 |
| 14 | 14 | 13 | 23.5 | 4.3 | 31.9 | 13.5 | 25.59 | 8113133 | NPQE-L-Q14-E-P5 | 5 |
| 16 | 16 | 14.3 | 25 | 4.3 | 32.5 | 15.5 | 25 | 8113134 | NPQE-L-Q16-E-P5 | 5 |

1) Pack size
2) Not suitable for safety clip NPAP-QE

Push-in L-connector NPQE-L

With push-in sleeve

Design:
L-shape



| Dimensions and ordering data | | | | | | | | | | |
|------------------------------|----------------|---------------|-----------------|------|------|---------------|----------|--------------------------------|------------------|--|
| Pneumatic connection | | Nominal width | Dimensions [mm] | | | Weight/ piece | Part no. | Type | PS ¹⁾ | |
| For tubing O.D. | Push-in sleeve | | D5 ∅ | H1 | L1 | | | | | |
| D1 | D2 | [mm] | | | | [g] | | | | |
| 3 | QS-3 | 1.5 | 6.2 | 11.3 | 22.5 | 0.73 | 8113192 | NPQE-L-Q3-S3-P10 | 10 | |
| | QS-4 | 2.2 | 6.2 | 11.3 | 25 | 0.93 | 8113193 | NPQE-L-Q3-S4-P10 | 10 | |
| 4 | QS-4 | 2.5 | 8.1 | 14.9 | 25 | 1.41 | 8113194 | NPQE-L-Q4-S4-P10 ²⁾ | 10 | |
| | QS-6 | 3 | 8.1 | 14.9 | 29.5 | 1.88 | 8113195 | NPQE-L-Q4-S6-P10 ²⁾ | 10 | |
| 6 | QS-6 | 4 | 10.7 | 17.1 | 27 | 2.43 | 8113196 | NPQE-L-Q6-S6-P10 ²⁾ | 10 | |
| | QS-8 | 4 | 12.5 | 20.1 | 30.5 | 3.67 | 8113197 | NPQE-L-Q6-S8-P10 | 10 | |
| 8 | QS-8 | 6 | 14 | 22.5 | 30.5 | 4.71 | 8113198 | NPQE-L-Q8-S8-P10 | 10 | |
| | QS-10 | 6 | 14 | 22.5 | 33.5 | 5.16 | 8113199 | NPQE-L-Q8-S10-P10 | 10 | |
| 10 | QS-10 | 9.3 | 18 | 27 | 34.5 | 8.57 | 8113200 | NPQE-L-Q10-S10-P10 | 10 | |
| | QS-12 | 9.3 | 18 | 27 | 39 | 8.84 | 8113201 | NPQE-L-Q10-S12-P10 | 10 | |
| 12 | QS-12 | 9.5 | 20.6 | 28.5 | 39.2 | 12.04 | 8113202 | NPQE-L-Q12-S12-P10 | 10 | |

1) Pack size
2) Not suitable for safety clip NPAP-QE

Datasheet

Push-in L-fitting NPQE-LH

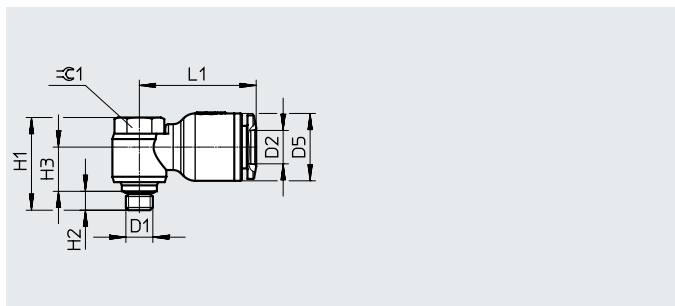
Hollow bolt with external hex

Can be aligned after mounting

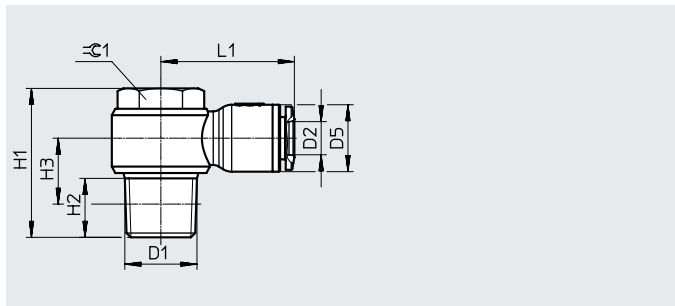
Design:
L-shape



M thread



R thread



| Dimensions and ordering data | | | | | | | | | | | | |
|--|-----------------|---------------|-----------------|------|-----|------|------|-----------------|---------------|----------|---------------------|------------------|
| Pneumatic connection | | Nominal width | Dimensions [mm] | | | | | | Weight/ piece | Part no. | Type | PS ¹⁾ |
| Male thread | For tubing O.D. | | D5 | H1 | H2 | H3 | L1 | $\varnothing 1$ | | | | |
| D1 | D2 | [mm] | \varnothing | | | | | | [g] | | | |
| Metric thread with sealing ring | | | | | | | | | | | | |
| M5 | 4 | 1.8 | 10.5 | 17.2 | 3.5 | 7.2 | 20 | 8 | 6.66 | 8113030 | NPQE-LH-M5-Q4-P10 | 10 |
| M5 | 6 | 1.8 | 12.5 | 17.2 | 3.5 | 8.2 | 21.9 | 8 | 7.06 | 8113031 | NPQE-LH-M5-Q6-P10 | 10 |
| R thread | | | | | | | | | | | | |
| R1/8 | 4 | 3 | 10.5 | 24 | 8 | 11.5 | 22.3 | 10 | 11.35 | 8113032 | NPQE-LH-R18-Q4-P10 | 10 |
| | 6 | 4 | 12.5 | 24 | 8 | 11.5 | 22.9 | 10 | 11.89 | 8113033 | NPQE-LH-R18-Q6-P10 | 10 |
| | 8 | 4 | 14 | 24 | 8 | 12.3 | 25.3 | 10 | 12.71 | 8113034 | NPQE-LH-R18-Q8-P10 | 10 |
| | 10 | 4 | 18 | 24 | 8 | 14.2 | 30.2 | 10 | 15.87 | 8113035 | NPQE-LH-R18-Q10-P10 | 10 |
| R1/4 | 4 | 3.5 | 10.5 | 27.8 | 11 | 12.3 | 24.1 | 14 | 23.2 | 8113036 | NPQE-LH-R14-Q4-P10 | 10 |
| | 6 | 4 | 12.5 | 27.8 | 11 | 12.3 | 25 | 14 | 23.74 | 8113037 | NPQE-LH-R14-Q6-P10 | 10 |
| | 8 | 5 | 14 | 27.8 | 11 | 13.3 | 28.4 | 14 | 24.54 | 8113038 | NPQE-LH-R14-Q8-P10 | 10 |
| | 10 | 5 | 18 | 27.8 | 11 | 15 | 32 | 14 | 27.59 | 8113039 | NPQE-LH-R14-Q10-P10 | 10 |
| | 12 | 5 | 20.6 | 27.8 | 11 | 16.3 | 33.2 | 14 | 29.64 | 8113040 | NPQE-LH-R14-Q12-P10 | 10 |
| R3/8 | 6 | 4 | 12.5 | 33.4 | 12 | 14.2 | 26.5 | 19 | 41 | 8113041 | NPQE-LH-R38-Q6-P5 | 5 |
| | 8 | 5 | 14 | 33.4 | 12 | 14 | 29.3 | 19 | 41.8 | 8113042 | NPQE-LH-R38-Q8-P5 | 5 |
| | 10 | 6.5 | 18 | 33.4 | 12 | 16 | 32.5 | 19 | 44.66 | 8113043 | NPQE-LH-R38-Q10-P5 | 5 |
| | 12 | 6.5 | 20.6 | 33.4 | 12 | 17.3 | 35.3 | 19 | 46.87 | 8113044 | NPQE-LH-R38-Q12-P5 | 5 |
| R1/2 | 10 | 8 | 18 | 40.1 | 15 | 17.6 | 35.5 | 24 | 84.64 | 8113045 | NPQE-LH-R12-Q10-P5 | 5 |
| | 12 | 8 | 20.6 | 40.1 | 15 | 18.9 | 36.3 | 24 | 85.18 | 8113046 | NPQE-LH-R12-Q12-P5 | 5 |
| | 16 | 8 | 25 | 49 | 15 | 21.8 | 37.5 | 24 | 99.93 | 8113047 | NPQE-LH-R12-Q16-P5 | 5 |

1) Pack size

Datasheet

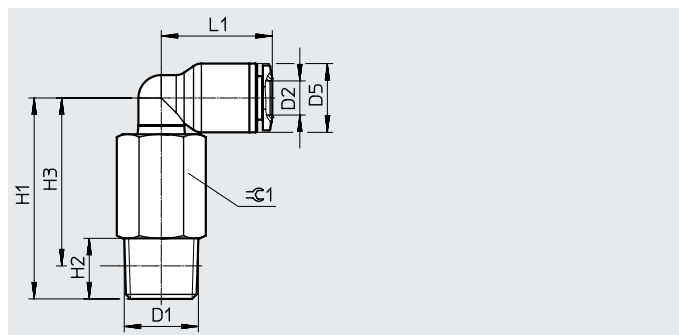
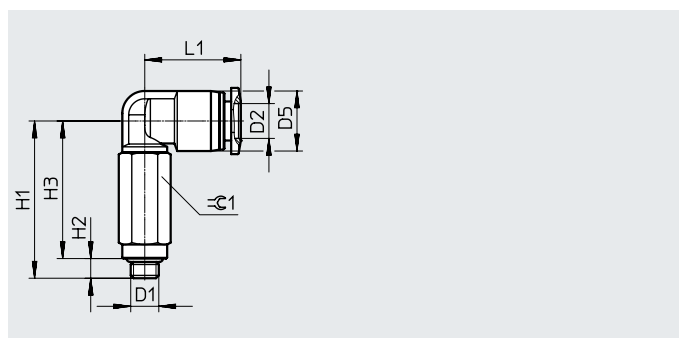
Push-in L-fitting, long NPQE-LL

Male thread with external hex

Can be aligned after mounting

Design:

L-shape, long



| Dimensions and ordering data | | | | | | | | | | | | |
|--|-----------------|---------------|-----------------|------|------|------|------|------|---------------|----------|---------------------------------|------------------|
| Pneumatic connection | | Nominal width | Dimensions [mm] | | | | | | Weight/ piece | Part no. | Type | PS ¹⁾ |
| Male thread | For tubing O.D. | | D5 | H1 | H2 | H3 | L1 | ±0.1 | | | | |
| D1 | D2 | [mm] | ∅ | | | | | | [g] | | | |
| Metric thread with sealing ring | | | | | | | | | | | | |
| M3 | 4 | 1 | 8.1 | 23.1 | 3 | 20.1 | 16.4 | 8 | 7.02 | 8113011 | NPQE-LL-M3-Q4-P10 ²⁾ | 10 |
| M5 | 4 | 2.3 | 8.1 | 26.3 | 3.5 | 22.8 | 16.4 | 8 | 8.79 | 8113012 | NPQE-LL-M5-Q4-P10 ²⁾ | 10 |
| | 6 | 2.3 | 10.7 | 28 | 3.5 | 24.5 | 17.1 | 8 | 9.34 | 8113013 | NPQE-LL-M5-Q6-P10 ²⁾ | 10 |
| M7 | 4 | 2.3 | 8.1 | 29.1 | 6 | 23.1 | 16.4 | 10 | 14.09 | 8113014 | NPQE-LL-M7-Q4-P10 ²⁾ | 10 |
| | 6 | 2.3 | 10.7 | 30.8 | 6 | 24.8 | 17.1 | 10 | 14.73 | 8113015 | NPQE-LL-M7-Q6-P10 ²⁾ | 10 |
| R thread | | | | | | | | | | | | |
| R1/8 | 4 | 3.4 | 10.5 | 33 | 8 | 29 | 18.8 | 10 | 13.92 | 8113016 | NPQE-LL-R18-Q4-P10 | 10 |
| | 6 | 4 | 12.5 | 34 | 8 | 30 | 20.1 | 10 | 14.86 | 8113017 | NPQE-LL-R18-Q6-P10 | 10 |
| | 8 | 6 | 14 | 39.2 | 8 | 35.2 | 22.5 | 10 | 15.37 | 8113018 | NPQE-LL-R18-Q8-P10 | 10 |
| | 10 | 6.5 | 18 | 47.3 | 8.5 | 43.3 | 26.9 | 17 | 51.29 | 8113019 | NPQE-LL-R18-Q10-P10 | 10 |
| | 12 | 6.5 | 20.6 | 48.8 | 8.5 | 44.8 | 28.4 | 17 | 54.95 | 8113020 | NPQE-LL-R18-Q12-P10 | 10 |
| R1/4 | 4 | 3.4 | 10.5 | 35.5 | 11 | 29.5 | 18.8 | 14 | 29.73 | 8113021 | NPQE-LL-R14-Q4-P10 | 10 |
| | 6 | 4 | 12.5 | 36.5 | 11 | 30.5 | 20 | 14 | 30.73 | 8113022 | NPQE-LL-R14-Q6-P10 | 10 |
| | 8 | 6 | 14 | 38.8 | 11 | 32.8 | 22.5 | 14 | 32.39 | 8113023 | NPQE-LL-R14-Q8-P10 | 10 |
| | 10 | 8.5 | 18 | 50.4 | 11.5 | 44.4 | 26.9 | 17 | 57.18 | 8113024 | NPQE-LL-R14-Q10-P10 | 10 |
| | 12 | 8.5 | 20.6 | 51.9 | 11.5 | 45.9 | 28.4 | 17 | 60.84 | 8113025 | NPQE-LL-R14-Q12-P10 | 10 |
| R3/8 | 8 | 6 | 14 | 40.3 | 12 | 33.9 | 22.5 | 17 | 45.83 | 8113026 | NPQE-LL-R38-Q8-P5 | 5 |
| | 10 | 9.3 | 18 | 48.4 | 12 | 42 | 26.9 | 17 | 54.49 | 8113027 | NPQE-LL-R38-Q10-P5 | 5 |
| | 12 | 9.5 | 20.6 | 49.9 | 12 | 43.5 | 28.4 | 17 | 58.15 | 8113028 | NPQE-LL-R38-Q12-P5 | 5 |
| R1/2 | 12 | 9.5 | 20.6 | 52.9 | 15 | 44.7 | 28.4 | 21 | 82.54 | 8113029 | NPQE-LL-R12-Q12-P5 | 5 |

1) Pack size

2) Not suitable for safety clip NPAP-QE

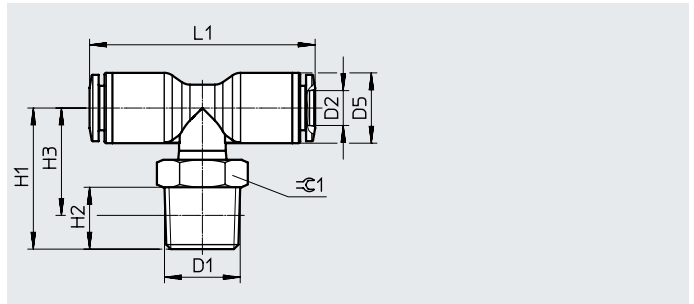
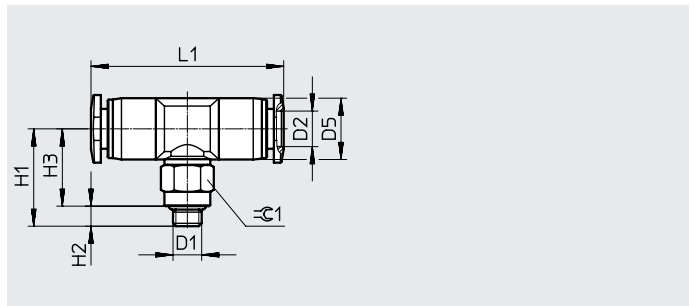
Datasheet

Push-in T-fitting NPQE-T

Male thread with external hex

Can be aligned after mounting

Design:
T-shape



| Dimensions and ordering data | | | | | | | | | | | | |
|--|-----------------|---------------|-----------------|------|------|------|------|----|---------------|----------|--------------------------------|------------------|
| Pneumatic connection | | Nominal width | Dimensions [mm] | | | | | | Weight/ piece | Part no. | Type | PS ¹⁾ |
| Male thread | For tubing O.D. | | D5 | H1 | H2 | H3 | L1 | ±1 | | | | |
| D1 | D2 | [mm] | ∅ | | | | | | [g] | | | |
| Metric thread with sealing ring | | | | | | | | | | | | |
| M3 | 4 | 1 | 8.1 | 15.3 | 3 | 12.3 | 30.2 | 8 | 4.63 | 8113048 | NPQE-T-M3-Q4-P10 ²⁾ | 10 |
| M5 | 4 | 2.2 | 8.1 | 15.8 | 3.5 | 12.3 | 30.2 | 8 | 3.94 | 8113049 | NPQE-T-M5-Q4-P10 ²⁾ | 10 |
| | 6 | 2.2 | 10.7 | 17 | 3.5 | 13.5 | 33.6 | 8 | 6.03 | 8113050 | NPQE-T-M5-Q6-P10 ²⁾ | 10 |
| R thread | | | | | | | | | | | | |
| R1/8 | 4 | 3.4 | 10.5 | 21.5 | 8 | 17.5 | 36 | 10 | 8.93 | 8113051 | NPQE-T-R18-Q4-P10 | 10 |
| | 6 | 4 | 12.5 | 22.6 | 8 | 18.6 | 40.2 | 10 | 10.34 | 8113052 | NPQE-T-R18-Q6-P10 | 10 |
| | 8 | 6 | 14 | 27.1 | 8 | 23.1 | 45.4 | 10 | 12.67 | 8113053 | NPQE-T-R18-Q8-P10 | 10 |
| | 10 | 6.5 | 18 | 28.5 | 8.5 | 24.5 | 54 | 17 | 26.64 | 8113054 | NPQE-T-R18-Q10-P10 | 10 |
| | 12 | 6.5 | 20.6 | 29.8 | 8.5 | 25.8 | 58.8 | 17 | 32.06 | 8113055 | NPQE-T-R18-Q12-P10 | 10 |
| R1/4 | 4 | 3.4 | 10.5 | 24 | 11 | 18 | 36 | 14 | 16.32 | 8113056 | NPQE-T-R14-Q4-P10 | 10 |
| | 6 | 4 | 12.5 | 25.1 | 11 | 19.1 | 40.2 | 14 | 17.84 | 8113057 | NPQE-T-R14-Q6-P10 | 10 |
| | 8 | 6 | 14 | 26.7 | 11 | 20.7 | 45.4 | 14 | 18.2 | 8113058 | NPQE-T-R14-Q8-P10 | 10 |
| | 10 | 8.5 | 18 | 31.6 | 11.5 | 25.6 | 54 | 17 | 30.34 | 8113059 | NPQE-T-R14-Q10-P10 | 10 |
| | 12 | 8.5 | 20.6 | 32.9 | 11.5 | 26.9 | 58.8 | 17 | 35.76 | 8113060 | NPQE-T-R14-Q12-P10 | 10 |
| R3/8 | 8 | 6 | 14 | 28.2 | 12 | 21.8 | 45.4 | 17 | 26.2 | 8113061 | NPQE-T-R38-Q8-P5 | 5 |
| | 10 | 9.3 | 18 | 29.6 | 12 | 23.2 | 54 | 17 | 30.44 | 8113062 | NPQE-T-R38-Q10-P5 | 5 |
| | 12 | 9.5 | 20.6 | 30.9 | 12 | 24.5 | 58.8 | 17 | 35.86 | 8113063 | NPQE-T-R38-Q12-P5 | 5 |
| R1/2 | 10 | 9.3 | 18 | 32.6 | 15 | 24.4 | 54 | 21 | 46.14 | 8113064 | NPQE-T-R12-Q10-P5 | 5 |
| | 12 | 9.5 | 20.6 | 33.9 | 15 | 25.7 | 58.8 | 21 | 51.56 | 8113065 | NPQE-T-R12-Q12-P5 | 5 |
| | 16 | 13 | 25 | 40.7 | 15 | 32.5 | 69 | 21 | 65.6 | 8113066 | NPQE-T-R12-Q16-P5 | 5 |

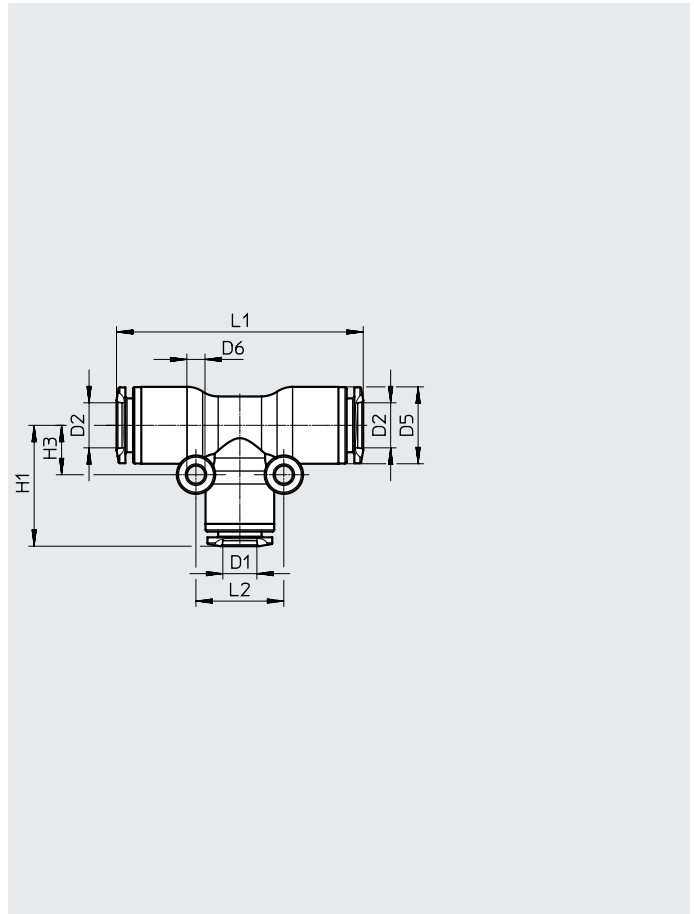
1) Pack size

2) Not suitable for safety clip NPAP-QE

Datasheet

Push-in T-connector NPQE-T

Design:
T-shape



| Dimensions and ordering data | | | | | | | | | | | | |
|------------------------------|-----------------------|-----------------------|-----------------|---------|------|------|------|-----|-------------------------|----------|--------------------------------|------------------|
| Pneumatic connection | | Nominal width [mm] | Dimensions [mm] | | | | | | Weight/ piece [g] | Part no. | Type | PS ¹⁾ |
| For tubing O.D. D1 | For tubing O.D. D2 | | D5 ∅ | D6 ∅ | H1 | H3 | L1 | L2 | | | | |
| 3 | 3 | 2.2 | 6.2 | 3.2 | 11.6 | 4.7 | 23.2 | 9.4 | 1.69 | 8113135 | NPQE-T-Q3-E-P10 | 10 |
| 4 | 4 | 2.3 | 8.1 | 3.2 | 15.1 | 6 | 30.2 | 12 | 3.46 | 8113137 | NPQE-T-Q4-E-P10 ²⁾ | 10 |
| 6 | 6 | 4 | 10.7 | 3.2 | 16.8 | 7 | 33.6 | 14 | 6.76 | 8113140 | NPQE-T-Q6-E-P10 ²⁾ | 10 |
| 8 | 8 | 7.1 | 14 | 3.3 | 22.5 | 9 | 44.9 | 18 | 12 | 8113144 | NPQE-T-Q8-E-P10 | 10 |
| 10 | 10 | 9.3 | 18 | 4.3 | 28 | 12 | 56 | 24 | 20.41 | 8113148 | NPQE-T-Q10-E-P10 | 10 |
| 12 | 12 | 12.3 | 20.6 | 4.3 | 29.4 | 13.5 | 58.8 | 27 | 26.89 | 8113152 | NPQE-T-Q12-E-P10 | 10 |
| 16 | 16 | 14.3 | 25 | 4.3 | 32.5 | 15.5 | 65 | 31 | 37.85 | 8113154 | NPQE-T-Q16-E-P5 | 5 |
| Increasing | | | | | | | | | | | | |
| 3 | 4 | 2.2 | 8.1 | 3.2 | 14.6 | 6 | 30.2 | 12 | 3.31 | 8113136 | NPQE-T-Q3-Q4-P10 ²⁾ | 10 |
| 4 | 6 | 2.3 | 10.7 | 3.2 | 16.6 | 7 | 33.6 | 14 | 5.12 | 8113139 | NPQE-T-Q4-Q6-P10 ²⁾ | 10 |
| | 8 | 3.5 | 14 | 3.3 | 21 | 9 | 42.9 | 15 | 10.87 | 8113142 | NPQE-T-Q4-Q8-P10 | 10 |
| 6 | 8 | 5.3 | 14 | 3.3 | 22 | 9 | 44.9 | 16 | 10.27 | 8113143 | NPQE-T-Q6-Q8-P10 | 10 |
| | 10 | 5.3 | 18 | 4.3 | 23.1 | 11 | 52 | 18 | 18.01 | 8113146 | NPQE-T-Q6-Q10-P10 | 10 |
| 8 | 10 | 7.1 | 18 | 4.3 | 27.5 | 11 | 56 | 18 | 17.84 | 8113147 | NPQE-T-Q8-Q10-P10 | 10 |
| | 12 | 7.1 | 20.6 | 4.3 | 27 | 12.5 | 56.8 | 19 | 24.76 | 8113150 | NPQE-T-Q8-Q12-P10 | 10 |
| 10 | 12 | 9.3 | 20.6 | 4.3 | 29 | 13.5 | 58.8 | 24 | 24.63 | 8113151 | NPQE-T-Q10-Q12-P10 | 10 |
| 12 | 16 | 10 | 25 | 4.3 | 31.9 | 15.5 | 65 | 27 | 25.13 | 8113153 | NPQE-T-Q12-Q16-P5 | 5 |
| Reducing | | | | | | | | | | | | |
| 6 | 4 | 2.3 | 10.7 | 3.2 | 16.8 | 7 | 33.2 | 14 | 5.17 | 8113138 | NPQE-T-Q6-Q4-P10 ²⁾ | 10 |
| 8 | 6 | 5.3 | 14 | 3.3 | 22.1 | 9 | 44.1 | 16 | 11.04 | 8113141 | NPQE-T-Q8-Q6-P10 | 10 |
| 10 | 8 | 7.1 | 18 | 4.3 | 28 | 12 | 55 | 24 | 19.77 | 8113145 | NPQE-T-Q10-Q8-P10 | 10 |
| 12 | 10 | 9.3 | 20.6 | 4.3 | 29.4 | 13.5 | 58 | 27 | 26.47 | 8113149 | NPQE-T-Q12-Q10-P10 | 10 |

1) Pack size
2) Not suitable for safety clip NPAP-QE

Datasheet

Push-in T-fitting NPQE-LQ

Male thread with external hex, additional push-in connector, in-line

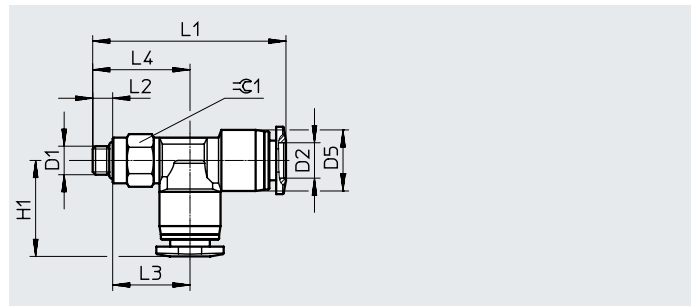
Can be aligned after mounting

Design:

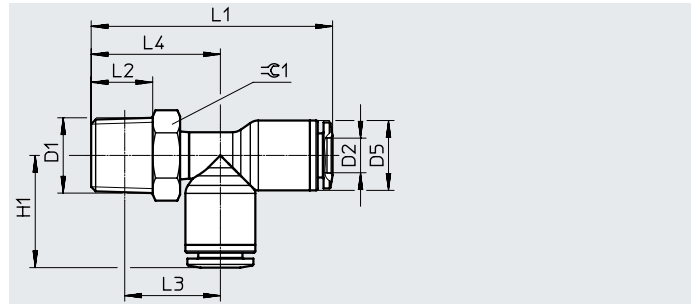
L-shape, additional push-in connector, lengthwise



M thread



R thread



| Dimensions and ordering data | | | | | | | | | | | | | |
|--|-----------------|---------------|-----------------|------|------|------|------|------|----|---------------|----------------|---------------------------------|------------------|
| Pneumatic connection | | Nominal width | Dimensions [mm] | | | | | | | Weight/ piece | Part no. | Type | PS ¹⁾ |
| Male thread | For tubing O.D. | | D5 | H1 | L1 | L2 | L3 | L4 | ⊕1 | | | | |
| D1 | D2 | [mm] | ∅ | | | | | | | [g] | | | |
| Metric thread with sealing ring | | | | | | | | | | | | | |
| M5 | 4 | 2.2 | 8.1 | 15.1 | 30.9 | 3.5 | 12.3 | 15.8 | 8 | 4.64 | 8113067 | NPQE-LQ-M5-Q4-P10 ²⁾ | 10 |
| | 6 | 2.2 | 10.7 | 16.8 | 33.9 | 3.5 | 13.6 | 17.1 | 8 | 5.83 | 8113068 | NPQE-LQ-M5-Q6-P10 ²⁾ | 10 |
| R thread | | | | | | | | | | | | | |
| R1/8 | 4 | 3.4 | 10.5 | 18 | 37.6 | 8 | 15.6 | 19.6 | 10 | 8.97 | 8113069 | NPQE-LQ-R18-Q4-P10 | 10 |
| | 6 | 4 | 12.5 | 20.1 | 40.7 | 8 | 16.6 | 20.6 | 10 | 10.68 | 8113070 | NPQE-LQ-R18-Q6-P10 | 10 |
| | 8 | 6 | 14 | 22.7 | 46.6 | 8 | 19.9 | 23.9 | 10 | 12.27 | 8113071 | NPQE-LQ-R18-Q8-P10 | 10 |
| | 10 | 6.5 | 18 | 27 | 53.3 | 8.5 | 22.3 | 26.3 | 17 | 26.44 | 8113072 | NPQE-LQ-R18-Q10-P10 | 10 |
| | 12 | 6.5 | 20.6 | 29.4 | 56.9 | 8.5 | 23.5 | 27.5 | 17 | 32.26 | 8113073 | NPQE-LQ-R18-Q12-P10 | 10 |
| R1/4 | 4 | 3.4 | 10.5 | 18 | 40.1 | 11 | 16.1 | 22.1 | 14 | 16.36 | 8113074 | NPQE-LQ-R14-Q4-P10 | 10 |
| | 6 | 4 | 12.5 | 20.1 | 43.2 | 11 | 17.1 | 23.1 | 14 | 18.18 | 8113075 | NPQE-LQ-R14-Q6-P10 | 10 |
| | 8 | 6 | 14 | 22.7 | 46.2 | 11 | 17.5 | 23.5 | 14 | 17.8 | 8113076 | NPQE-LQ-R14-Q8-P10 | 10 |
| | 10 | 8.5 | 18 | 27 | 56.4 | 11.5 | 23.4 | 29.4 | 17 | 30.14 | 8113077 | NPQE-LQ-R14-Q10-P10 | 10 |
| | 12 | 8.5 | 20.6 | 29.4 | 60 | 11.5 | 24.6 | 30.6 | 17 | 35.96 | 8113078 | NPQE-LQ-R14-Q12-P10 | 10 |

1) Pack size

2) Not suitable for safety clip NPAP-QE

Datasheet

Push-in T-fitting NPQE-LT

Male thread with external hex, additional connector, female thread, in-line

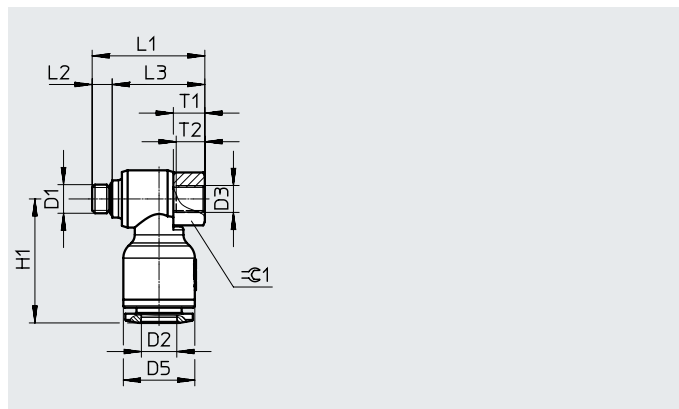
Can be aligned after mounting

Design:

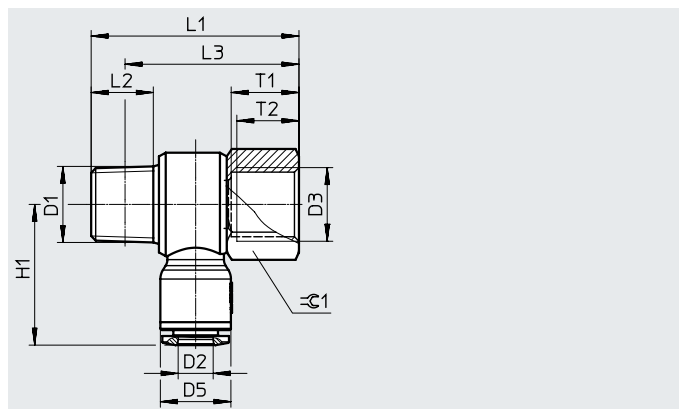
L-shape, additional female thread, lengthwise



M thread



R thread



| Dimensions and ordering data | | | | | | | | | | | | | | | |
|--|-----------------|---------------|-----------------|------|------|------|-----|------|-----|----|-----------|---------------|----------|---------------------|------------------|
| Pneumatic connection | | Nominal width | Dimensions [mm] | | | | | | | | | Weight/ piece | Part no. | Type | PS ¹⁾ |
| Male thread | For tubing O.D. | | D3 | D5 | H1 | L1 | L2 | L3 | T1 | T2 | ± 0.1 | | | | |
| D1 | D2 | [mm] | \varnothing | | | | | | | | [g] | | | | |
| Metric thread with sealing ring | | | | | | | | | | | | | | | |
| M5 | 4 | 1.8 | M5 | 10.5 | 20 | 19.7 | 3.5 | 16.2 | 5.5 | 5 | 8 | 7.13 | 8113090 | NPQE-LT-M5-Q4-P10 | 10 |
| | 6 | 1.8 | M5 | 12.5 | 21.7 | 19.7 | 3.5 | 16.2 | 5.5 | 5 | 8 | 7.75 | 8113091 | NPQE-LT-M5-Q6-P10 | 10 |
| R thread | | | | | | | | | | | | | | | |
| R1/8 | 4 | 3 | G1/8 | 10.5 | 22.3 | 31 | 8 | 27 | 9 | 8 | 14 | 18.85 | 8113092 | NPQE-LT-R18-Q4-P10 | 10 |
| | 6 | 4 | G1/8 | 12.5 | 22.9 | 31 | 8 | 27 | 9 | 8 | 14 | 19.39 | 8113093 | NPQE-LT-R18-Q6-P10 | 10 |
| | 8 | 4 | G1/8 | 14 | 25.3 | 31 | 8 | 27 | 9 | 8 | 14 | 20.21 | 8113094 | NPQE-LT-R18-Q8-P10 | 10 |
| | 10 | 4 | G1/8 | 18 | 30.2 | 31 | 8 | 27 | 9 | 8 | 14 | 23.37 | 8113095 | NPQE-LT-R18-Q10-P10 | 10 |
| R1/4 | 6 | 4 | G1/4 | 12.5 | 24.9 | 36.8 | 11 | 30.8 | 12 | 11 | 17 | 34.73 | 8113096 | NPQE-LT-R14-Q6-P10 | 10 |
| | 8 | 5 | G1/4 | 14 | 28.4 | 36.8 | 11 | 30.8 | 12 | 11 | 17 | 35.53 | 8113097 | NPQE-LT-R14-Q8-P10 | 10 |
| | 10 | 5 | G1/4 | 18 | 32 | 36.8 | 11 | 30.8 | 12 | 11 | 17 | 38.58 | 8113098 | NPQE-LT-R14-Q10-P10 | 10 |
| | 12 | 5 | G1/4 | 20.6 | 33.2 | 36.8 | 11 | 30.8 | 12 | 11 | 17 | 40.63 | 8113099 | NPQE-LT-R14-Q12-P10 | 10 |
| R3/8 | 10 | 6.5 | G3/8 | 18 | 32.5 | 42.9 | 12 | 36.5 | 13 | 12 | 21 | 57.77 | 8113100 | NPQE-LT-R38-Q10-P5 | 5 |
| | 12 | 6.5 | G3/8 | 20.6 | 35.3 | 42.9 | 12 | 36.5 | 13 | 12 | 21 | 59.98 | 8113101 | NPQE-LT-R38-Q12-P5 | 5 |
| R1/2 | 12 | 8 | G1/2 | 20.6 | 36.3 | 50 | 15 | 41.8 | 15 | 14 | 24 | 92.17 | 8113102 | NPQE-LT-R12-Q12-P5 | 5 |

1) Pack size

Datasheet

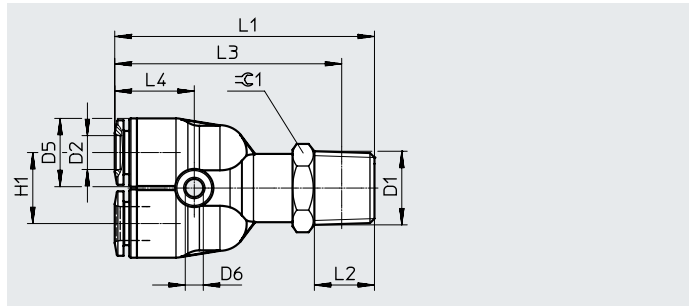
Push-in Y-fitting NPQE-Y

Male thread with external hex

Can be aligned after mounting

Design:

Y-shape



Dimensions and ordering data

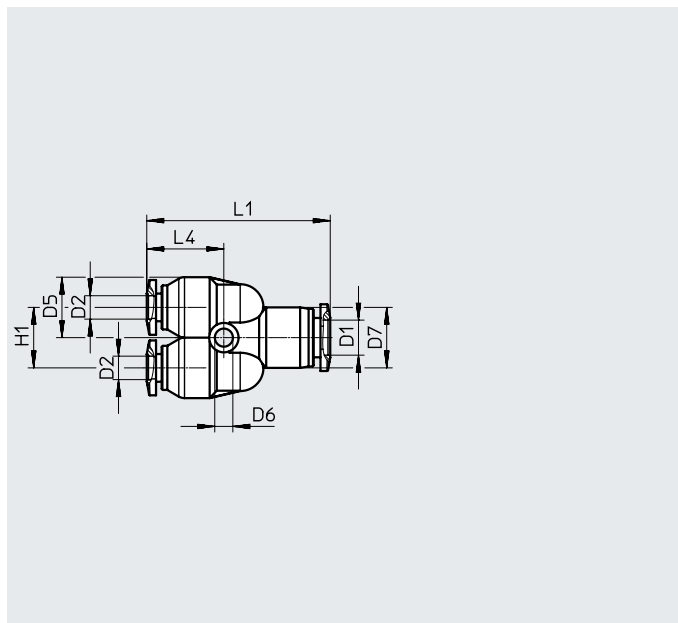
| Pneumatic connection | | Nominal width | Dimensions [mm] | | | | | | | | Weight/ piece | Part no. | Type | PS ¹⁾ |
|----------------------|-----------------|---------------|-----------------|---------|----|------|------|------|------|------|---------------|----------------|---------------------------|------------------|
| Male thread | For tubing O.D. | | D5 ∅ | D6 ∅ | H1 | L1 | L2 | L3 | L4 | 1/16 | | | | |
| D1 | D2 | [mm] | | | | | | | | | [g] | | | |
| R thread | | | | | | | | | | | | | | |
| R1/8 | 4 | 2.6 | 10.5 | 3.3 | 11 | 42.5 | 8 | 38.5 | 14 | 10 | 12.24 | 8113079 | NPQE-Y-R18-Q4-P10 | 10 |
| | 6 | 4.6 | 12.5 | 3.3 | 13 | 44.4 | 8.5 | 40.4 | 14.6 | 12 | 14.75 | 8113080 | NPQE-Y-R18-Q6-P10 | 10 |
| | 8 | 6 | 14 | 3.3 | 15 | 47.6 | 8.5 | 43.6 | 17.9 | 14 | 21.1 | 8113081 | NPQE-Y-R18-Q8-P10 | 10 |
| | 10 | 5 | 18 | 4.3 | 18 | 56.8 | 8.5 | 52.8 | 20.4 | 17 | 35.84 | 8113082 | NPQE-Y-R18-Q10-P10 | 10 |
| R1/4 | 4 | 2.6 | 10.5 | 3.3 | 11 | 46.5 | 11 | 40.5 | 14 | 14 | 16.24 | 8113083 | NPQE-Y-R14-Q4-P10 | 10 |
| | 6 | 4.6 | 12.5 | 3.3 | 13 | 47.6 | 11 | 41.6 | 14.6 | 14 | 19.84 | 8113084 | NPQE-Y-R14-Q6-P10 | 10 |
| | 8 | 6 | 14 | 3.3 | 15 | 50.3 | 11 | 44.3 | 17.9 | 14 | 22.9 | 8113085 | NPQE-Y-R14-Q8-P10 | 10 |
| | 10 | 8 | 18 | 4.3 | 18 | 59.8 | 11.5 | 53.8 | 20.4 | 17 | 39.14 | 8113086 | NPQE-Y-R14-Q10-P10 | 10 |
| R3/8 | 10 | 8 | 18 | 4.3 | 18 | 60.5 | 12 | 54.1 | 20.4 | 17 | 40.82 | 8113087 | NPQE-Y-R38-Q10-P5 | 5 |
| | 12 | 9 | 20.6 | 4.3 | 21 | 64.6 | 12.5 | 58.2 | 21.3 | 21 | 58.54 | 8113088 | NPQE-Y-R38-Q12-P5 | 5 |
| R1/2 | 12 | 9 | 20.6 | 4.3 | 21 | 67.3 | 15 | 59.1 | 21.3 | 21 | 64.21 | 8113089 | NPQE-Y-R12-Q12-P5 | 5 |

1) Pack size

Datasheet

Push-in Y-connector NPQE-Y

Design:
Y-shape



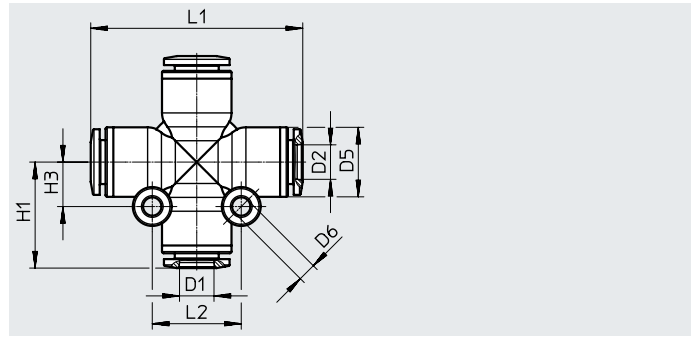
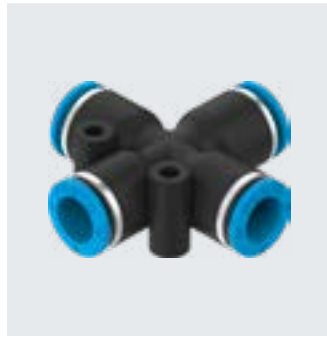
| Dimensions and ordering data | | | | | | | | | | | | |
|------------------------------|--------------------|--------------------|-----------------|------|------|------|------|------|-------------------|----------|--------------------------------|------------------|
| Pneumatic connection | | Nominal width [mm] | Dimensions [mm] | | | | | | Weight/ piece [g] | Part no. | Type | PS ¹⁾ |
| For tubing O.D. D1 | For tubing O.D. D2 | | D5 ø | D6 ø | D7 ø | H1 | L1 | L4 | | | | |
| 3 | 3 | 2.2 | 7.8 | 3.1 | 7.8 | 8.1 | 29.2 | 13.1 | 2.3 | 8113155 | NPQE-Y-Q3-E-P10 | 10 |
| 4 | 4 | 2.3 | 7.8 | 3.1 | 7.8 | 8.1 | 30.2 | 13.6 | 3.44 | 8113157 | NPQE-Y-Q4-E-P10 ²⁾ | 10 |
| 6 | 6 | 4 | 10.7 | 3.2 | 10.7 | 10.7 | 32.6 | 13.8 | 4.46 | 8113159 | NPQE-Y-Q6-E-P10 ²⁾ | 10 |
| 8 | 8 | 8.2 | 14 | 3.3 | 14 | 15 | 39.8 | 17.9 | 11.1 | 8113162 | NPQE-Y-Q8-E-P10 | 10 |
| 10 | 10 | 8.2 | 18 | 4.3 | 18 | 18 | 49.1 | 20.5 | 20.11 | 8113165 | NPQE-Y-Q10-E-P10 | 10 |
| 12 | 12 | 12.3 | 20.6 | 4.3 | 20.6 | 21 | 52.8 | 21.4 | 26.79 | 8113168 | NPQE-Y-Q12-E-P10 | 10 |
| 16 | 16 | 13 | 25 | 4.3 | 25 | 25 | 61 | 22.5 | 40.12 | 8113170 | NPQE-Y-Q16-E-P5 | 5 |
| Reducing | | | | | | | | | | | | |
| 4 | 3 | 2.2 | 7.8 | 3.1 | 7.8 | 8.1 | 29.7 | 13.1 | 3.01 | 8113156 | NPQE-Y-Q4-Q3-P10 ²⁾ | 10 |
| 6 | 4 | 2.3 | 10.7 | 3.2 | 10.7 | 10.7 | 32.4 | 13.6 | 5.31 | 8113158 | NPQE-Y-Q6-Q4-P10 ²⁾ | 10 |
| 8 | 4 | 3 | 10.5 | 3.3 | 14 | 11 | 38.4 | 13.9 | 8.04 | 8113160 | NPQE-Y-Q8-Q4-P10 | 10 |
| | 6 | 6.2 | 12.5 | 3.3 | 14 | 13 | 39.9 | 14.6 | 9.24 | 8113161 | NPQE-Y-Q8-Q6-P10 | 10 |
| 10 | 6 | 4.6 | 12.5 | 3.3 | 18 | 13 | 43 | 14.5 | 12.45 | 8113163 | NPQE-Y-Q10-Q6-P10 | 10 |
| | 8 | 8.2 | 14 | 3.3 | 18 | 15 | 48.5 | 17.9 | 19.37 | 8113164 | NPQE-Y-Q10-Q8-P10 | 10 |
| 12 | 8 | 6 | 14 | 4.3 | 20.6 | 15 | 47.9 | 17.9 | 16.83 | 8113166 | NPQE-Y-Q12-Q8-P10 | 10 |
| | 10 | 10.3 | 18 | 4.3 | 20.6 | 18 | 51.6 | 20.5 | 22.27 | 8113167 | NPQE-Y-Q12-Q10-P10 | 10 |
| 16 | 12 | 12.3 | 20.6 | 4.3 | 25 | 21 | 56.4 | 21.4 | 30.59 | 8113169 | NPQE-Y-Q16-Q12-P5 | 5 |

1) Pack size
2) Not suitable for safety clip NPAP-QE

Datasheet

Push-in X connector NPQE-X

Design:
X-shape



Dimensions and ordering data

| Pneumatic connection | | Nominal width | Dimensions [mm] | | | | | | Weight/ piece | Part no. | Type | PS ¹⁾ |
|----------------------|-----------------|---------------|-----------------|---------|------|------|------|-----|---------------|----------------|-------------------------|------------------|
| For tubing O.D. | For tubing O.D. | | D5 ∅ | D6 ∅ | H1 | H3 | L1 | L2 | | | | |
| D1 | D2 | [mm] | | | | | | | [g] | | | |
| 3 | 3 | 2.2 | 6.2 | 3.2 | 12.3 | 4.9 | 24.6 | 9.8 | 2.23 | 8113177 | NPQE-X-Q3-E-P10 | 10 |
| 4 | 4 | 3.5 | 10.5 | 3.3 | 17.5 | 7 | 35 | 14 | 7.77 | 8113178 | NPQE-X-Q4-E-P10 | 10 |
| 6 | 6 | 5 | 12.5 | 3.3 | 19.1 | 8 | 38.2 | 16 | 10.38 | 8113179 | NPQE-X-Q6-E-P10 | 10 |
| 8 | 8 | 7 | 14 | 3.3 | 22.5 | 9 | 44.9 | 18 | 13.7 | 8113180 | NPQE-X-Q8-E-P10 | 10 |
| 10 | 10 | 9.3 | 18 | 4.3 | 28.1 | 12 | 56 | 24 | 26.68 | 8113181 | NPQE-X-Q10-E-P10 | 10 |
| 12 | 12 | 10 | 20.6 | 4.3 | 29.4 | 13.5 | 58.8 | 27 | 34.62 | 8113182 | NPQE-X-Q12-E-P10 | 10 |

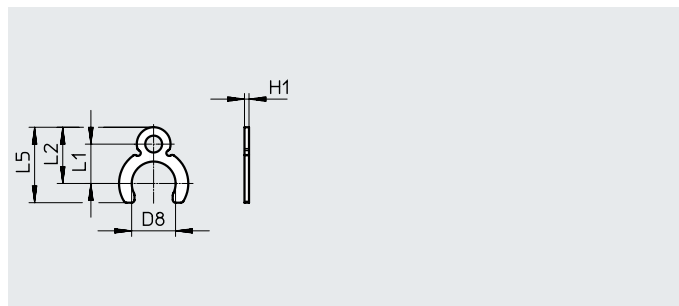
1) Pack size

Accessories

Safety clip NPAP-QE

The safety clip prevents the tubing accidentally getting detached from the push-in fitting.

PWIS conformity:
VDMA24364 zone III



| Dimensions and ordering data | | | | | | | | | |
|------------------------------|-----------------|-----|------|------|------|-------------------------|----------|-------------------|------------------|
| Pneumatic connection | Dimensions [mm] | | | | | Weight/ piece [g] | Part no. | Type | PS ¹⁾ |
| For tubing O.D. | D8 ∅ | H1 | L1 | L2 | L5 | | | | |
| 4 | 5.5 | 0.8 | 6 | 9 | 12 | 0.06 | 8113228 | NPAP-QE-S-Q4-P10 | 10 |
| 6 | 7.8 | 0.8 | 7 | 10 | 13.5 | 0.07 | 8113229 | NPAP-QE-S-Q6-P10 | 10 |
| 8 | 9.7 | 1.2 | 8 | 11 | 15.3 | 0.11 | 8113230 | NPAP-QE-S-Q8-P10 | 10 |
| 10 | 11.9 | 1.4 | 10 | 13.5 | 18.8 | 0.23 | 8113231 | NPAP-QE-S-Q10-P10 | 10 |
| 12 | 14.8 | 1.6 | 11 | 14.5 | 20.5 | 0.28 | 8113232 | NPAP-QE-S-Q12-P10 | 10 |
| 16 | 18.2 | 1.9 | 13.5 | 17.5 | 24.5 | 0.39 | 8113233 | NPAP-QE-S-Q16-P10 | 10 |

1) Pack size