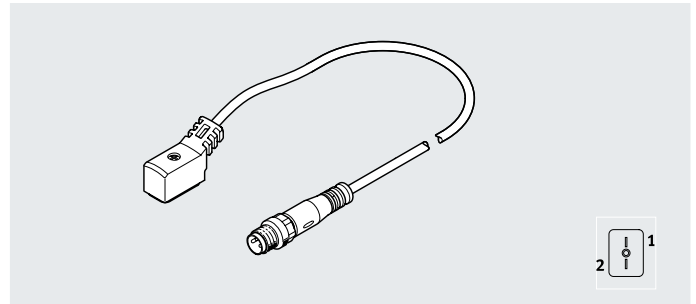


Datasheet

Connecting cable NEBV-Z4WA2

- Connecting cable
- Pre-assembled at both ends
- For connecting valves



General technical data

Electrical connection 1

Function	Field device side
Connection type	Socket
Cable outlet	Angled
Design	Rectangular
Connection technology	Plug pattern ZC, metric screw
Number of pins/wires	2
Assigned pins/wires	2
Type of mounting	On solenoid valve with M2 central screw

Electrical connection 2

Function	Controller side		
Connection type	Cable	Plug	Plug
Cable outlet	–	Straight	Angled
Design	–	Round	Rectangular
Connection technology	Open end	M8x1, A-coded to EN 61076-2-104	Plug pattern ZB, self-tapping screw
Number of pins/wires	2	3	2
Assigned pins/wires	2	2	2
Type of mounting	–	–	On solenoid valve via self-tapping screw

Technical data – Electrics

Nominal operating voltage	[V DC]	24
Operating voltage range	[V DC]	20.4 ... 26.4
Surge resistance	[kV]	2.4
Pollution degree		3
Contact durability		50
Reverse polarity protection		Bipolar
Protective earth connection		Not provided

Technical data – Cable

Cable composition	[mm ²]	2x 0.14
Cable diameter	[mm]	2.9
Cable diameter tolerance	[%]	±0.1
Nominal conductor cross section	[mm ²]	0.14
Cable characteristic		Suitable for energy chains
Cable test conditions		Test conditions on request
Bending radius, flexible cable installation	[mm]	≥29
Cable designation		Without inscription label holder

Datasheet

Materials			
Electrical connection 2	Connection technology		
	Open end	M8x1, A-coded to EN 61076-2-104	Plug pattern ZB, self-tapping screw
Housing	TPE-U(PU)	TPE-U(PU)	TPE-U(PU)
Housing colour	Black	Black	Black
Union nut	–	Nickel-plated brass	–
Insulating sheath	PP	PP	PP
Screws	Stainless steel	Stainless steel	Stainless steel
Pin contacts	Tin-plated copper alloy	Tin-plated copper alloy	Tin-plated copper alloy
	–	Gold-plated brass	–
Cable sheath	TPE-U(PUR)	TPE-U(PUR)	TPE-U(PUR)
Cable sheath colour	Grey	Grey	Grey
Note on materials	RoHS-compliant	RoHS-compliant	RoHS-compliant

Operating and environmental conditions			
Additional functions	With holding current reduction, with protective circuit	Without holding current reduction, with protective circuit	Without holding current reduction, without protective circuit
Ambient temperature [°C]	–10 ... +50	–10 ... +50	–10 ... +50
Corrosion resistance class CRC ¹⁾	3	3	3
CE marking (see declaration of conformity) ³⁾	To EU EMC Directive ²⁾	–	To EU EMC Directive ²⁾
	To EU RoHS Directive	To EU RoHS Directive	To EU RoHS Directive
Degree of protection	IP65	IP65	IP65
Note on degree of protection	In assembled state	In assembled state	In assembled state

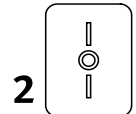
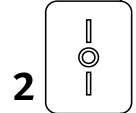
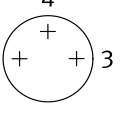
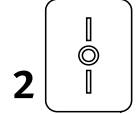
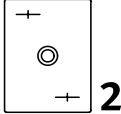
1) Corrosion resistance class CRC 3 to Festo standard FN 940070

High corrosion stress. Outdoor exposure under moderate corrosive conditions. Externally visible parts with primarily functional surface requirements which are in direct contact with a normal industrial environment.

2) For information about the area of use, see the EC declaration of conformity at: www.festo.com/catalogue/NEBV → Support/Downloads.

If the devices are subject to usage restrictions in residential, commercial or light-industrial environments, further measures for the reduction of the emitted interference may be necessary.

3) Additional information: www.festo.com/catalogue/NEBV → Support/Downloads.

Circuitry (socket/plug view)			
Electrical connection 1	Pin	Wire colour ¹⁾	Electrical connection 2
Electrical connection 2, connection technology open end			
	1	BK	Open end
	2	BK	
Electrical connection 2, connection technology M8x1, A-coded to EN 61076-2-104			
	1	BK	
	2	BK	
Electrical connection 2, connection technology plug pattern ZB, self-tapping screw			
	1	BK	
	2	BK	

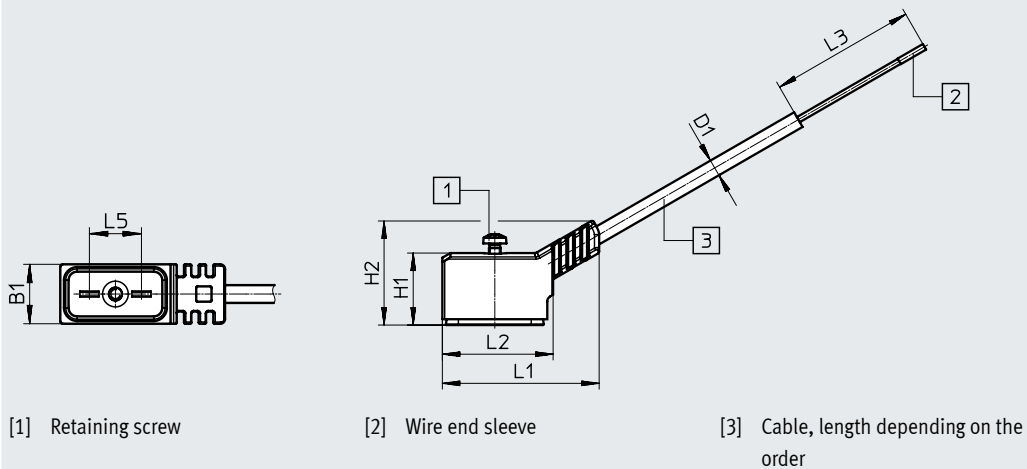
1) To IEC 757

Datasheet

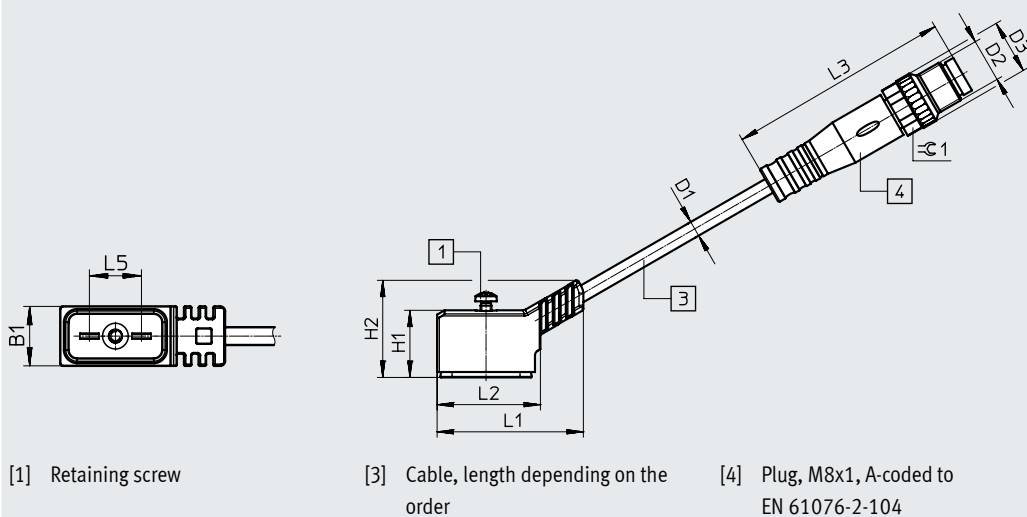
Dimensions

Download CAD data → www.festo.com

Electrical connection 2 – Open end



Electrical connection 2 – Plug M8x1



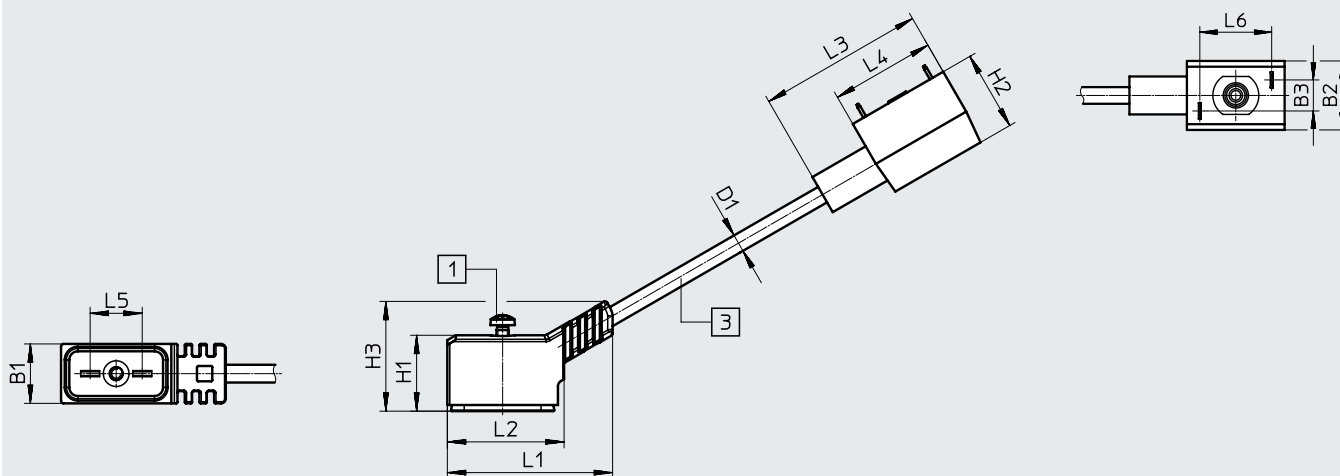
	B1	D1 ∅	D2	D3 ∅	H1	H2	L1	L2	L3	L5	⊕1
Open end	9.7	2.9	–	–	12.35	17.5	26.9	19	50	8.4	–
Plug M8x1	9.7	2.9	M8x1	10	12.35	17.5	26.9	19	41.1	8.4	9

Datasheet

Dimensions

Download CAD data → www.festo.com

Electrical connection 2 – Plug, plug pattern ZB, self-tapping screw



[1] Retaining screw

[3] Cable, length depending on the order

	B1	B2	B3	D1 Ø	H1	H2	H3	L1	L2	L3	L4	L5	L6
Plug, plug pattern ZB	9.7	9.7	5.4	2.9	12.35	13	17.5	26.9	19	27	17	8.4	12.5

Ordering data

	Additional functions	Signal status indication	Cable length [m]	Weight [g]	Part no.	Type
Electrical connection 2, connection technology open end						
	Protective circuit	Yellow LED	2.5	50	8047671	NEBV-Z4WA2L-P-E-2.5-N-LE2-S1
			5	90	8047672	NEBV-Z4WA2L-P-E-5-N-LE2-S1
			10	170	8047670	NEBV-Z4WA2L-P-E-10-N-LE2-S1
	Holding current reduction, protective circuit	Yellow LED	2.5	50	8047679	NEBV-Z4WA2L-R-E-2.5-N-LE2-S1
			5	90	8047680	NEBV-Z4WA2L-R-E-5-N-LE2-S1
			10	170	8047678	NEBV-Z4WA2L-R-E-10-N-LE2-S1
Electrical connection 2, connection technology plug M8x1, A-coded to EN 61076-2-104						
	Protective circuit	Yellow LED	0.5	18	8047673	NEBV-Z4WA2L-P-E-0.5-N-M8G3-S1
			2.5	54	8047674	NEBV-Z4WA2L-P-E-2.5-N-M8G3-S1
	Holding current reduction, protective circuit	Yellow LED	0.5	18	8047683	NEBV-Z4WA2L-R-E-0.5-N-M8G3-S1
			2.5	54	8047684	NEBV-Z4WA2L-R-E-2.5-N-M8G3-S1
Electrical connection 2, connection technology plug, plug pattern ZB, self-tapping screw						
	Operating voltage range 0 ... 30 V DC, without holding current reduction, without protective circuit	–	0.2	18	8047681	NEBV-Z4WA2-E-0.2-N-Z1W2-S1
	Holding current reduction, protective circuit	Yellow LED	0.2	18	8047682	NEBV-Z4WA2L-R-E-0.2-N-Z1W2-S1

Ordering data – Modular product system

Ordering table		Conditions	Code	Enter code
Module no.	8003577			
Connecting cable	Connecting cables for valves		NEBV	NEBV
Connection technology on the left, field device side	Socket, plug pattern ZC, metric screw		-Z4	-Z4
Cable outlet on the left	Angled 45°		WA	WA
Number of pins/wires on the left	2-pin		2	2
Display	None			
	Signal status LED		L	
Circuitry	None	[1]		
	Integrated protective circuit	[2]	-P	
	Holding current reduction with integrated protective circuit		-R	
Cable characteristic	Suitable for energy chains		-E	-E
Cable length	0.2 m	[1]	-0.2	
	0.5 m	[3]	-0.5	
	2.5 m	[2]	-2.5	
	5 m	[4]	-5	
	10 m	[4]	-10	
Cable designation	Without inscription label holder		-N	-N
Connection technology on the right, controller side	Open end		-LE	
	Plug M8x1, A-coded, EN 61076-2-104		-M8	
	Plug, plug pattern ZB, self-tapping screw		-Z1	
Cable outlet on the right	None			
	Straight		G	
	Angled		W	
Number of pins/wires on the right	2-pin		2	
	3-pin	[3]	3	
Degree of protection, electrical system	IP65		-S1	-S1

- [1] -0.2 Only with connection technology on the right Z1
 [2] -P, -2.5 Not with connection technology on the right Z1
 [3] -0.5, 3 Only with connection technology on the right M8
 [4] -5, -10 Only with connection technology on the right LE