

Accessories, MS series

FESTO



Festo Core Range
Solves the majority of your automation tasks







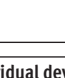
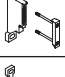
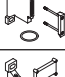
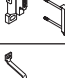

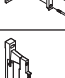

With the Festo Core Range, we have selected the most important products and functions from our broad product catalogue, and added the quickest delivery.

Worldwide: Quickest delivery – wherever, whenever
Simply good: Expected high Festo quality
Fast: Easy and fast to select



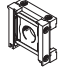




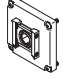








The Core Range offers you the best value for your automation tasks.

Just look
for the
star!

Product range overview

Type	Accessories for size					
	MS2	MS4	MS6	MS9	MS12	
Mounting components for individual devices						
Mounting bracket MS-WB		-	■ → 6	■ → 6	-	-
Mounting bracket MS-WBM		-	■ → 7	-	-	-
Mounting bracket MS-WR		■ → 4	■ → 8	■ → 8	-	-
Mounting bracket Basic MS-WR-B		-	■ → 8	■ → 8	-	-
Nut MS-WRS		■ → 4	-	-	-	-
Plug screw MS-G18S		■ → 5	-	-	-	-
Hex nut MS-WRS		-	■ → 9	■ → 9	-	-
Mounting components for individual devices/combinations						
Mounting bracket MS-WP		-	■ → 11	■ → 11	■ → 20	■ → 24
Mounting bracket MS-WPB		-	■ → 12	■ → 12	■ → 21	-
Mounting bracket MS-WPM		-	■ → 13	■ → 14	■ → 22	-
Mounting bracket MS-WPE		-	■ → 15	■ → 15	-	-
Mounting bracket Basic MS-WPE-B		-	■ → 15	■ → 15	-	-
Wall mounting-SET MS-WPG		-	-	■ → 16	-	-

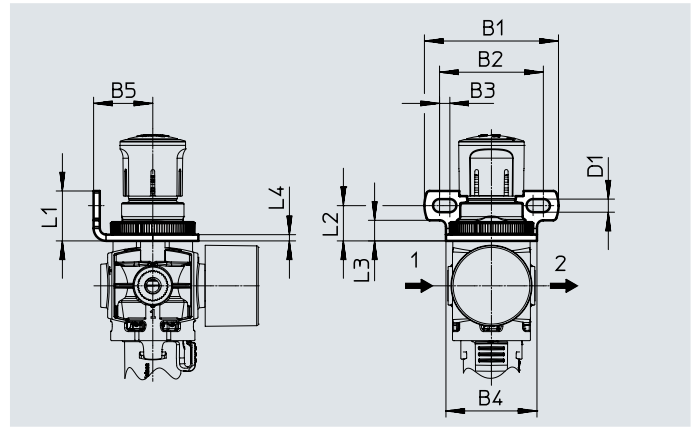
Product range overview

Type		Accessories for size				
		MS2	MS4	MS6	MS9	MS12
Connector						
Module connector MS-MV		-	■ → 17	■ → 17	■ → 23	■ → 25
Module connector MS-MVM		-	■ → 18	■ → 18	-	-
Module connector MS-RMV		-	■ → 27	■ → 27	■ → 33	-
Module connector MS-AMV		-	■ → 28	■ → 28	-	-
		-	-	■ → 30	■ → 30	-
Module connector MS-ARMV		-	-	■ → 31	■ → 31, 34	■ → 34
Adapter for mounting on profiles						
Power supply modules MS-E-IPM-40-80		-	■ → 36	■ → 36	-	-
Power supply modules MS-E-IPM-80-80		-	■ → 37	■ → 37	-	-
Branching modules MS-A-IPM-80		-	■ → 38	■ → 38	-	-
Branching modules MS-A-RMV-IPM-80		-	■ → 39	■ → 39	-	-
Sealing rings MS-NNR		-	■ → 40	■ → 40	-	-
Blanking plates						
Connecting plate-SET MS-AG.../MS-AQ...		-	■ → 41	■ → 41	■ → 43	■ → 44
Cover cap MS-END		-	■ → 42	■ → 42	-	-
Mounting plate MS-AEND		-	■ → 42	■ → 42	-	-
Covering kits						
Covering kit MS...-RB-10		-	■ → 45	■ → 45	■ → 45	■ → 45
Safety components						
Padlock LRVS-D		-	■ → 46	■ → 46	■ → 46	■ → 46

Mounting components MS2

Mounting bracket MS2-WR-B

- For wall mounting
- For filter regulator, pressure regulator
- Knurled nut included in the scope of delivery



Dimensions							
B1 ±0.2	B2	B3	B4	L1	L2	L3 ±0.1	L4
43	30	3.3	19	30.4	25.7	4.2	2

Materials	
Mounting bracket	Steel Stainless steel (MS2-WR-F1A-B)
Note on materials:	RoHS-compliant

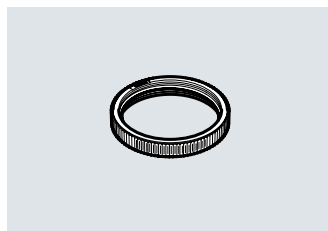
Ordering data							
Size	LABS (PWIS) conformity	Suitable for the production of lithium-ion batteries	Cleanroom class	CRC ¹⁾	Weight [g]	Part no.	Type
MS2	VDMA24364-B2-L	–	–	1	13.8	8087978	MS2-WR-B
	VDMA24364-B1/B2-L	Metals with more than 1% by mass of copper, zinc or nickel are excluded from use. Exceptions are nickel in steel, chemically nickel-plated surfaces, printed circuit boards, cables, electrical plug connectors and coils.	Class 1 to ISO 14644-1	4	14.6	8167322	MS2-WR-F1A-B²⁾

1) More information www.festo.com/x/topic/crc

2) Recommended for production plants for manufacturing lithium-ion batteries

Nut MS2-WRS

- For front panel mounting



Materials	
Note on materials:	RoHS-compliant

Ordering data						
Size	LABS (PWIS) conformity	CRC ¹⁾	Weight [g]	Part no.	Type	
MS2	VDMA24364-B1/B2-L	1	0.7	8098037	MS2-WRS	

1) More information www.festo.com/x/topic/crc

Mounting components MS2

Plug screw MS2-G18S



Materials

Note on materials:	RoHS-compliant
--------------------	----------------

Ordering data

Size	LABS (PWIS) conformity	CRC ¹⁾	Weight [g]	Part no.	Type
MS2	VDMA24364-B1/B2-L	1	4.6	8095766	MS2-G18S

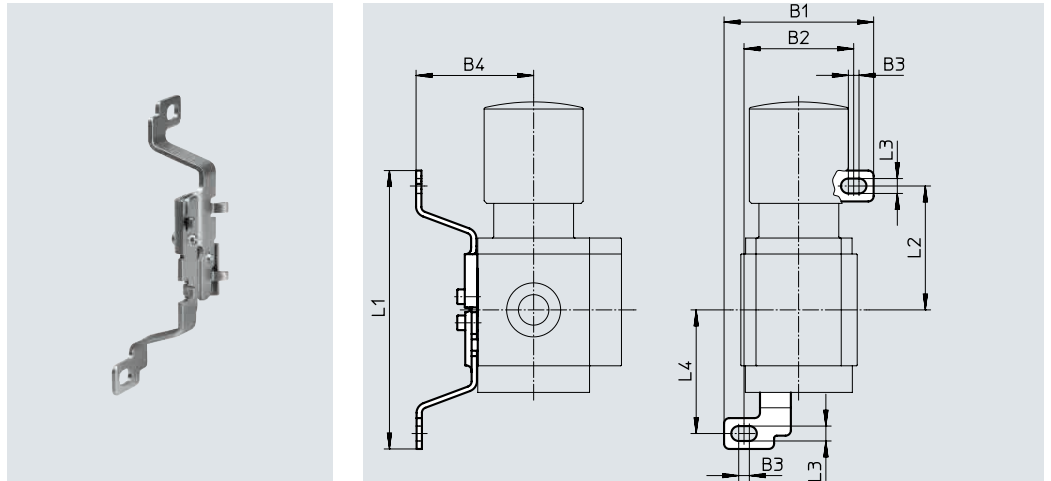
1) More information www.festo.com/x/topic/crc

Mounting components MS4, MS6

Mounting bracket MS4/6-WB

(order code: WB)

- For wall mounting



Operating and environmental conditions

Temperature of medium [°C]	-10 ... +60
Corrosion resistance class CRC ¹⁾	2

1) More information www.festo.com/x/topic/crc

Materials

Bracket	Steel
Screws	Steel
Note on materials:	RoHS-compliant
LABS (PWIS) conformity	VDMA24364-B1/B2-L

★ Core Range

Dimensions and ordering data

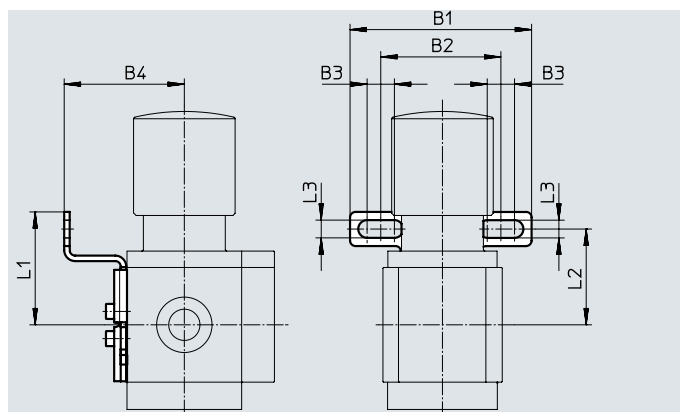
Size	B1	B2	B3	B4	L1	L2	L3	L4	Weight [g]	Part no.	Type
MS4	56.2	41.2	4	44.2	104.6	46.6	5.6	46.5	46	★ 532185	MS4-WB
MS6	79.4	61.9	4.5	55	157.6	71	6.6	71	121	★ 532196	MS6-WB

Mounting components MS4, MS6

Mounting bracket MS4-WBM

(order code: WBM)

- For wall mounting



Operating and environmental conditions

Temperature of medium	[°C]	-10 ... +60
Corrosion resistance class CRC ¹⁾		2

1) More information www.festo.com/x/topic/crc

Materials

Bracket	Steel
Screws	Steel
Note on materials:	RoHS-compliant
LABS (PWIS) conformity	VDMA24364-B1/B2-L

Dimensions and ordering data

Size	B1	B2	B3	B4	L1	L2	L3	Weight [g]	Part no.	Type
MS4	66.5	44	10	44	41.3	35	6.5	48	526062	MS4-WBM

Mounting components MS4, MS6

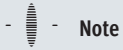
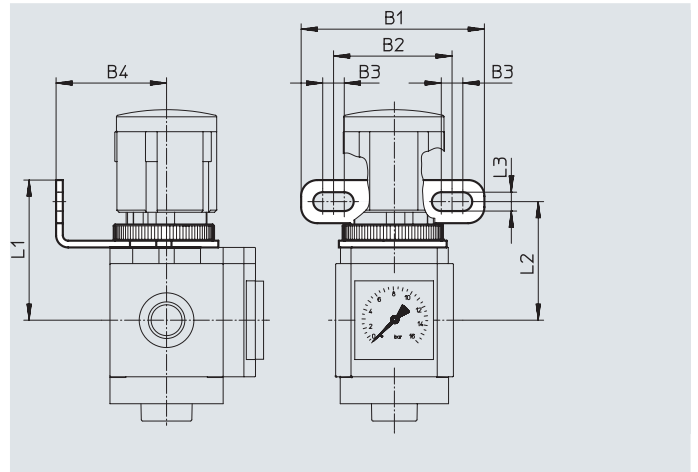
Mounting bracket MS4/6-WR

(order code: WR)

- For wall mounting
- For filter regulator, pressure regulator



MS4/6-WR



Note

If a knurled nut is not included with the service unit component, a hex nut for mounting this bracket will need to be ordered separately.

Mounting bracket MS4/6-WR-B

(Basic version)

- For wall mounting
- For filter regulator, pressure regulator
- Knurled nut included in the scope of delivery



MS4/6-WR-B

Dimensions

Size	B1	B2	B3	B4	L1	L2	L3
MS4	68	44	8	40	52	44	7
MS6	70	42	8.2	40	67	57	7.1

Operating and environmental conditions

Temperature of medium [°C]	-10 ... +60
Corrosion resistance class CRC ¹⁾	2

1) More information www.festo.com/x/topic/crc

Materials

Bracket	Steel
Nut	Wrought aluminium alloy (MS4/6-WR-B)
Note on materials:	RoHS-compliant

★ Core Range

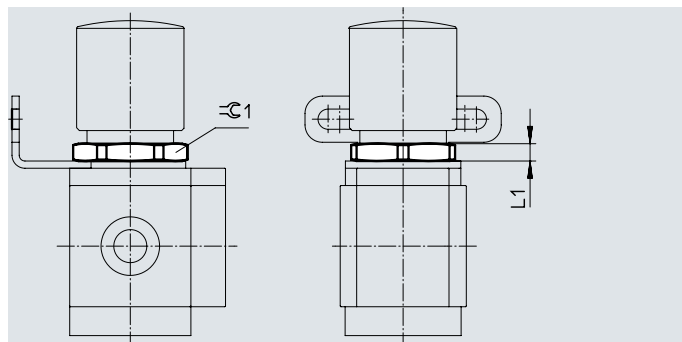
Ordering data

Size	LABS (PWIS) conformity	Weight [g]	Part no.	Type
MS4	VDMA24364-B1/B2-L	49	★ 526064	MS4-WR
	VDMA24364-B2-L		8149680	MS4-WR-B
MS6	VDMA24364-B1/B2-L	90	★ 526075	MS6-WR
	VDMA24364-B2-L		8149681	MS6-WR-B

Mounting components MS4, MS6

Hex nut MS4/6-WRS

- For front panel mounting
- For attaching the mounting bracket MS...-WR

**Operating and environmental conditions**

Temperature of medium	[°C]	-10 ... +60
Corrosion resistance class CRC ¹⁾		2

1) More information www.festo.com/x/topic/crc

Materials

Nut	Wrought aluminium alloy
Note on materials:	RoHS-compliant
LABS (PWIS) conformity	VDMA24364-B1/B2-L

Dimensions and ordering data

Size	L1	≈ 1	Weight [g]	Part no.	Type
MS4	6	36	6.9	532187	MS4-WRS
MS6	7	55	20.9	532188	MS6-WRS

Mounting components MS4, MS6

Mounting bracket MS4/6-WP...

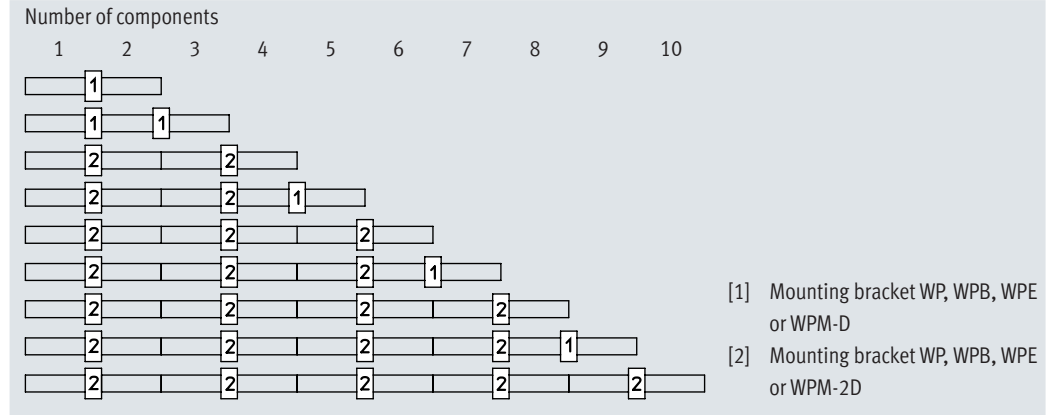
Mounting spacing for mounting service unit combinations

Size MS4

- 1 service unit component with MS4-WP... : 40.2 mm (20.1 mm)¹⁾
- 2 service unit components with MS4-WP... : 80.4 mm (40.2 mm)¹⁾

Size MS6

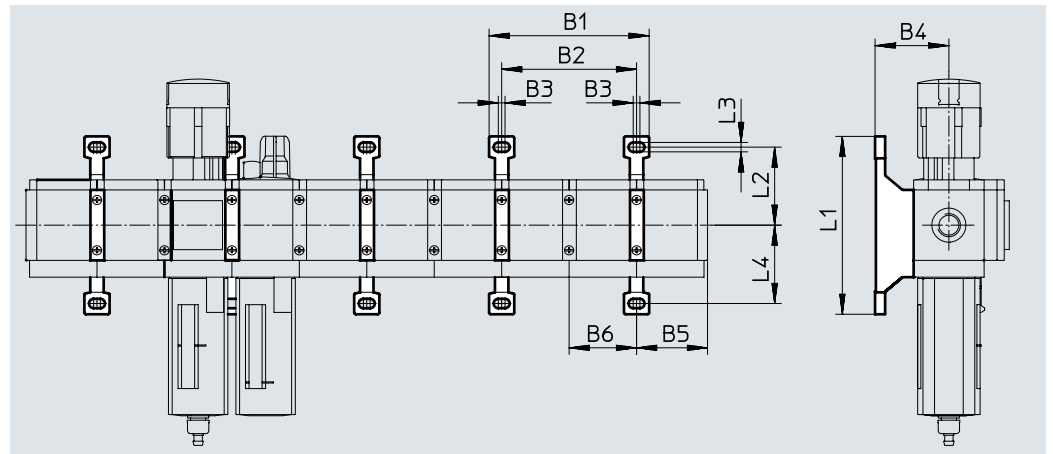
- 1 service unit component with
 - MS6-WP/WPB/WPE: 62 mm (31 mm)¹⁾
 - MS6-WPM-D: 69 mm (38 mm)¹⁾
- 2 service unit components with
 - MS6-WP/WPB/WPE: 124 mm (62 mm)¹⁾
 - MS6-WPM-2D: 138 mm (76 mm)¹⁾



1) With distributor block MS-FRM-FRZ

Mounting dimensions

Note
The distributor block MS4/6-FRM-FRZ has half the normal grid dimension.



Type	2 service unit components with grid dimension		1 service unit component with grid dimension and 1 distributor block MS-FRM-FRZ		2 distributor blocks MS-FRM-FRZ		B3	B4	Service unit component with grid dimension		Distributor block MS-FRM-FRZ		L1	L2	L3	L4
	B1	B2	B1	B2	B1	B2			B5 ¹⁾	B6	B5 ¹⁾	B6				
MS4-WP	95.4	80.4	75.3	60.3	55.2	40.2	4	44	41.9	40.2	21.8	20.1	106	46.5	5.6	46.7
MS4-WPB/WPE								66								45.2
MS4-WPM-...D								44								45.2
MS6-WP	141	124	110	93	79	62	4.5	54.1	64.5	62	33.5	31	158	71	6.6	71
MS6-WPB/WPE								90.5								71
MS6-WPM-...D								168								138

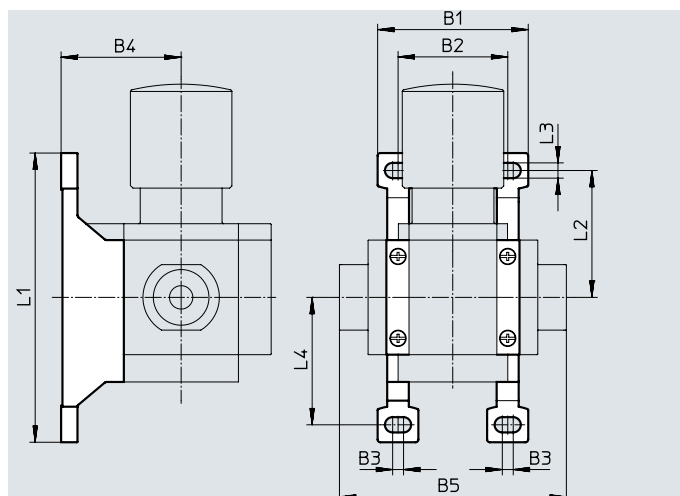
1) With cover cap MS-END as accessory

Mounting components MS4, MS6

Mounting bracket MS4/6-WP

(order code: WP)

- For connecting the modules for wall mounting
- In combination with connecting plate MS4/6-AG... for wall mounting an individual component
- In combination with mounting plate MS4/6-AEND for wall mounting an individual component
- For pressure regulator LRB with angled outlet block B... at the rear
- Same wall gap for combinations of series MS4 and MS6



Operating and environmental conditions

Temperature of medium [°C]	-10 ... +60
Corrosion resistance class CRC ¹⁾	2

1) More information www.festo.com/x/topic/crc

Materials

Bracket	Die-cast aluminium
Module connector	POM, steel
Screws	Steel
Seals	NBR
Note on materials:	RoHS-compliant
LABS (PWIS) conformity	VDMA24364-B1/B2-L

★ Core Range

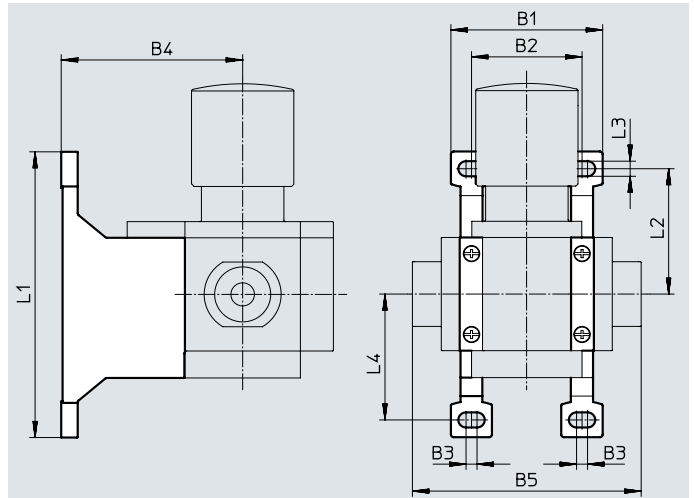
Dimensions and ordering data												
Size	B1	B2	B3	B4	B5	L1	L2	L3	L4	Weight [g]	Part no.	Type
MS4	55.2	40.2	4	44	83.4	106	46.5	5.6	46.7	39	★ 532184	MS4-WP
MS6	79	62	4.5	54.1	115	158	71	6.6	71	76	★ 532195	MS6-WP
For use in potentially explosive areas in zones 2 and 22												
MS4	55.2	40.2	4	44	83.4	106	46.5	5.6	46.7	39	541554	MS4-WP-EX
MS6	79	62	4.5	54.1	115	158	71	6.6	71	76	541544	MS6-WP-EX

Mounting components MS4, MS6

Mounting bracket MS4/6-WPB

(order code: WPB)

- For connecting the modules for wall mounting
- In combination with connecting plate MS4/6-AG... for wall mounting an individual component
- In combination with mounting plate MS4/6-AEND for wall mounting an individual component
- Provides large wall gap for pressure regulator



Operating and environmental conditions

Temperature of medium [°C]	-10 ... +60
Corrosion resistance class CRC ¹⁾	2

1) More information www.festo.com/x/topic/crc

Materials

Bracket	Die-cast aluminium
Module connector	POM, steel
Screws	Steel
Seals	NBR
Note on materials:	RoHS-compliant
LABS (PWIS) conformity	VDMA24364-B1/B2-L

★ Core Range

Dimensions and ordering data

Size	B1	B2	B3	B4	B5	L1	L2	L3	L4	Weight [g]	Part no.	Type
MS4	55.2	40.2	4	66	83.4	106	46.5	5.6	46.7	55	★ 526063	MS4-WPB
MS6	79	62	4.5	90.5	115	158	71	6.6	71	115	★ 526074	MS6-WPB

For use in potentially explosive areas in zones 2 and 22

MS4	55.2	40.2	4	66	83.4	106	46.5	5.6	46.7	55	541552	MS4-WPB-EX
MS6	79	62	4.5	90.5	115	158	71	6.6	71	115	541542	MS6-WPB-EX

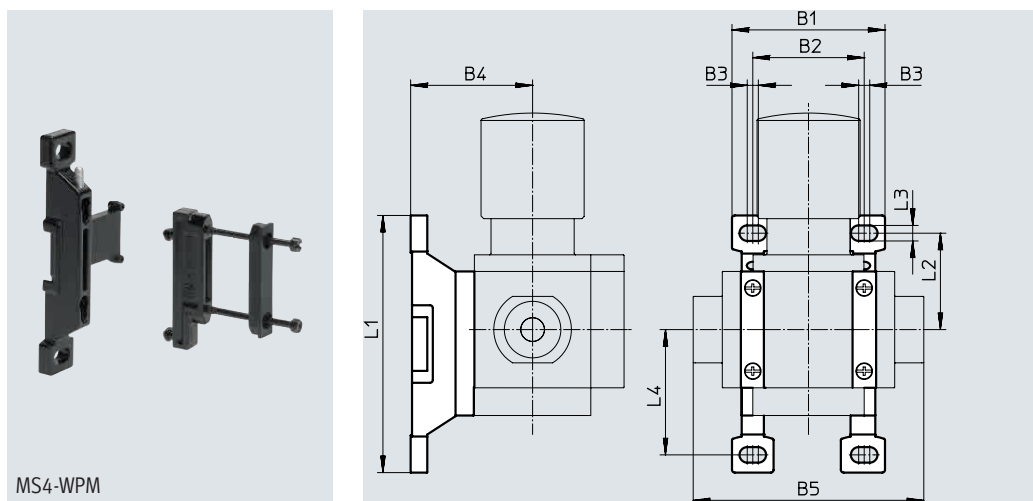
Mounting components MS4, MS6

Mounting bracket MS4-WPM

(order code: WPM)

- For connecting the modules for wall mounting
- In combination with connecting plate MS4-AG... for wall mounting an individual component
- Fast hooking and unhooking
- For installing modules with control knob pointing downwards

The distance piece D or 2D included in the scope of delivery ensures the mounting clearance is maintained



Operating and environmental conditions		
Temperature of medium	[°C]	-10 ... +60
Corrosion resistance class CRC ¹⁾		2

1) More information www.festo.com/x/topic/crc

Materials	
Bracket	Die-cast aluminium
Module connector	POM, steel
Screws	Steel
Seals	NBR
Note on materials:	RoHS-compliant
LABS (PWIS) conformity	VDMA24364-B1/B2-L

★ Core Range

Dimensions and ordering data													
Size	B1	B2	B3	B4	B5	L1	L2	L3	L4	Mounting spacing	Weight [g]	Part no.	Type
MS4	55.2	40.2	4	44	83.4	92.8	34.8	5.6	45.2	40.2	45	★ 526060	MS4-WPM-D
	95.4	80.4			123.4					80.4		526061	MS4-WPM-2D

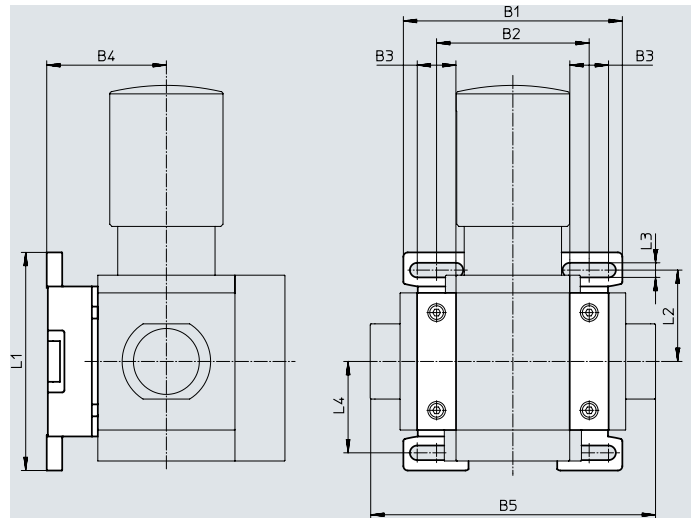
Mounting components MS4, MS6

Mounting bracket MS6-WPM

(order code: WPM)

- For connecting the modules for wall mounting
- In combination with connecting plate MS6-AG... for wall mounting an individual component
- Fast hooking and unhooking
- For installing modules with control knob pointing downwards

The distance piece D or 2D included in the scope of delivery ensures the mounting clearance is maintained



Operating and environmental conditions

Temperature of medium	[°C]	-10 ... +60
Corrosion resistance class CRC ¹⁾		2

1) More information www.festo.com/x/topic/crc

Materials

Bracket	Die-cast aluminium
Module connector	Die-cast aluminium
Screws	Steel
Seals	NBR
Note on materials:	RoHS-compliant
LABS (PWIS) conformity	VDMA24364-B1/B2-L

★ Core Range

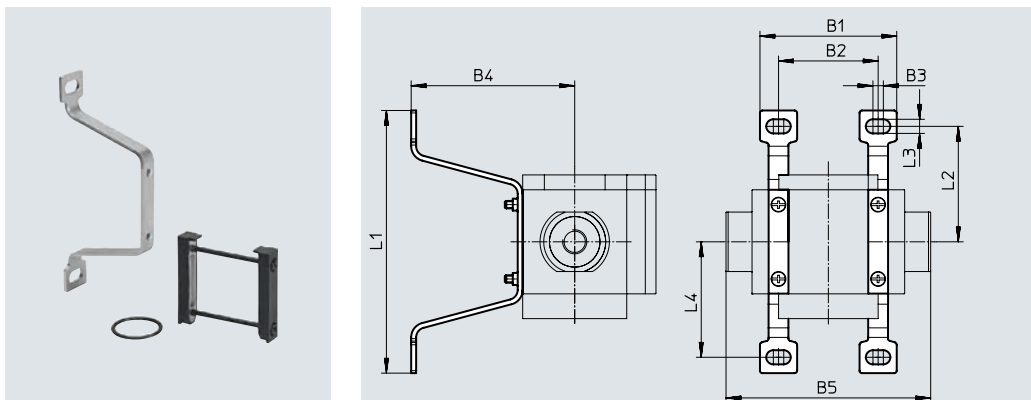
Dimensions and ordering data

Size	B1	B2	B3	B4	B5	L1	L2	L3	L4	Mounting spacing	Weight [g]	Part no.	Type
MS6	99	69	17.5	54.1	129	98.6	41.3	6.6	41.3	69	144	★ 526073	MS6-WPM-D
	168	138			198					138		532186	MS6-WPM-2D

Mounting components MS4, MS6

Mounting bracket MS4/6-WPE

- Inexpensive alternative to mounting bracket MS4/6-WP/-WPB



Materials

Mounting bracket	Steel
Note on materials	RoHS-compliant
LABS (PWIS) conformity	VDMA24364-B1/B2-L

Dimensions and ordering data

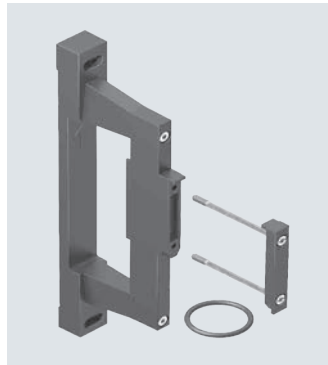
	B1	B2	B3	B4	B5	L1	L2	L3	L4	CRC ¹⁾	Weight [g]	Part no.	Type
Size 4													
For MS series	55.2	40.2	4.2	66	83.4	106	46.6	5.7	46.6	2	42	558869	MS4-WPE
For MS series, Basic version	55.2	40.2	5	44.4	83.3	106	46.6	5.7	46.6	2	30	8118600	MS4-WPE-B
Size: 6													
For MS series	79	62	4.3	90.5	115	158	71	6.5	71	2	78	1025936	MS6-WPE
For MS series, Basic version	79	62	4.3	53.9	114.9	158	71	6.5	71	2	58	8118599	MS6-WPE-B

1) More information www.festo.com/x/topic/crc

Mounting components MS4, MS6

Wall mounting-SET MS6-WPG

- For connecting the modules for wall mounting
- Same wall gap for combinations of series MS6 and MSE6



Operating and environmental conditions

Temperature of medium [°C]	-10 ... +60
Corrosion resistance class CRC ¹⁾	2

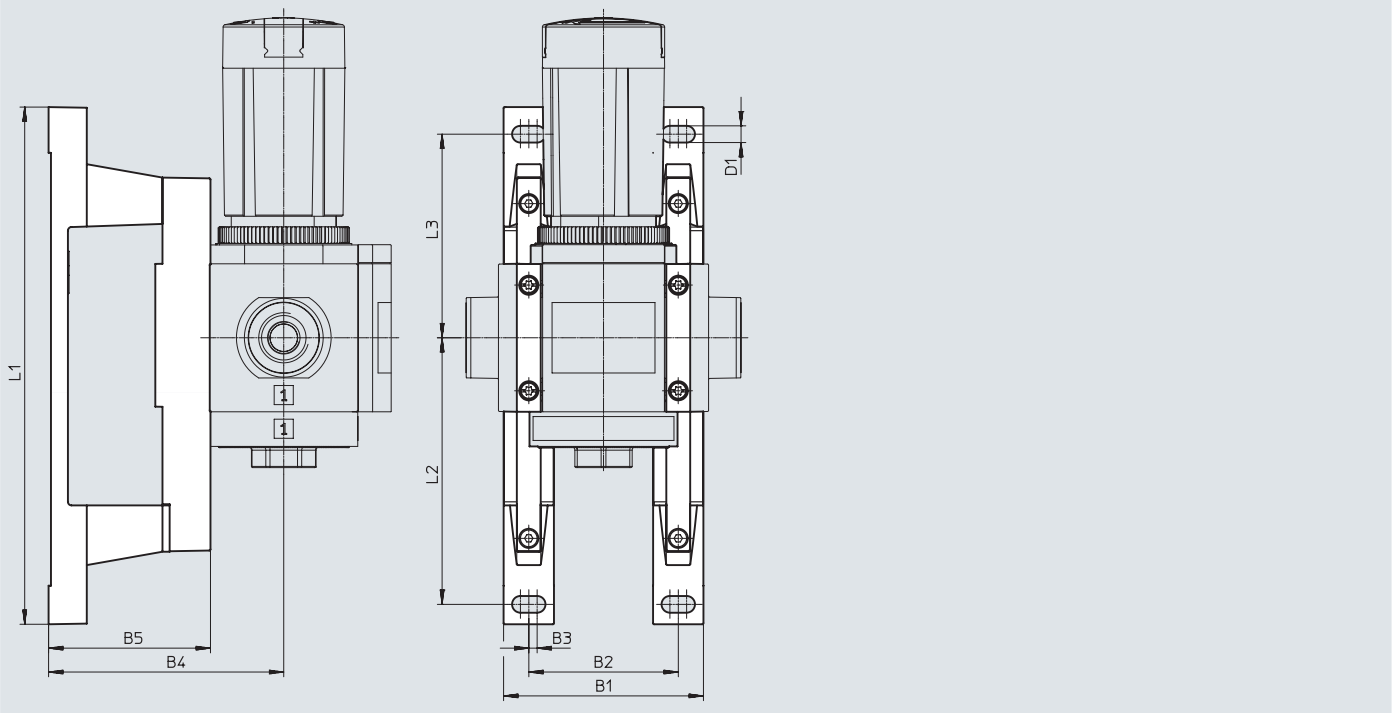
1) More information www.festo.com/x/topic/crc

Materials

Bracket	Die-cast aluminium
Module connector	POM, steel
Screws	Steel
Seals	NBR
Note on materials	RoHS-compliant
LABS (PWIS) conformity	VDMA24364-B1/B2-L

Dimensions

Download CAD data → www.festo.com



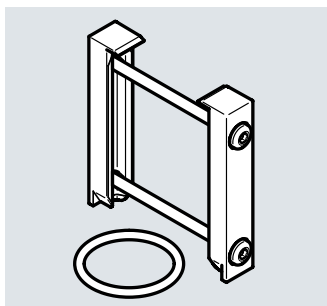
Dimensions and ordering data

Size	B1	B2	B3	B4	B5	D1	L1	L2	L3	Weight [g]	Part no.	Type
MS6	84	62	3.5	99	68	7	217	111	86	245	8072794	MS6-WPG

Mounting components MS4, MS6

Module connector MS4/6-MV

- For connecting the modules



Operating and environmental conditions

Temperature of medium [°C]	-10 ... +60
Corrosion resistance class CRC ¹⁾	2

1) More information www.festo.com/x/topic/crc

Materials

Module connector	POM, steel POM, high-alloy stainless steel (MS4/6-MV1-F1A)
Screws	Steel High-alloy stainless steel (MS4/6-MV1-F1A)
Seals	NBR
Note on materials:	RoHS-compliant
LABS (PWIS) conformity	VDMA24364-B1/B2-L

Ordering data

Size	Corrosion resistance class CRC ¹⁾	Weight [g]	Part no.	Type
MS4	4	13	8119201	MS4-MV1
MS6		33	8119204	MS6-MV1

Ordering data – For use in potentially explosive areas in zones 2 and 22

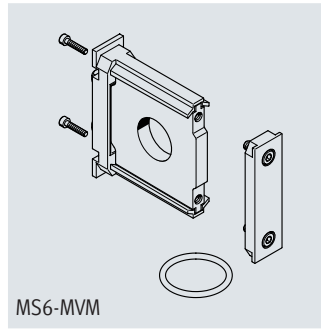
MS4	2	36	541553	MS4-MV-EX
MS6		54	541543	MS6-MV-EX

1) More information www.festo.com/x/topic/crc

Mounting components MS4, MS6

Module connector MS4/6-MVM

- For installing modules with control knob pointing downwards



Operating and environmental conditions

Temperature of medium [°C]	-10 ... +60
Corrosion resistance class CRC ¹⁾	2

1) More information www.festo.com/x/topic/crc

Materials

Size	MS4	MS6
Module connector	POM, steel	Die-cast aluminium
Plate	Die-cast aluminium	
Screws	Steel	
Seals	NBR	
Note on materials:	RoHS-compliant	
LABS (PWIS) conformity	VDMA24364-B1/B2-L	

★ Core Range

Ordering data

Size	Weight [g]	Part no.	Type
MS4	19	★ 532800	MS4-MVM
MS6	89	★ 532801	MS6-MVM

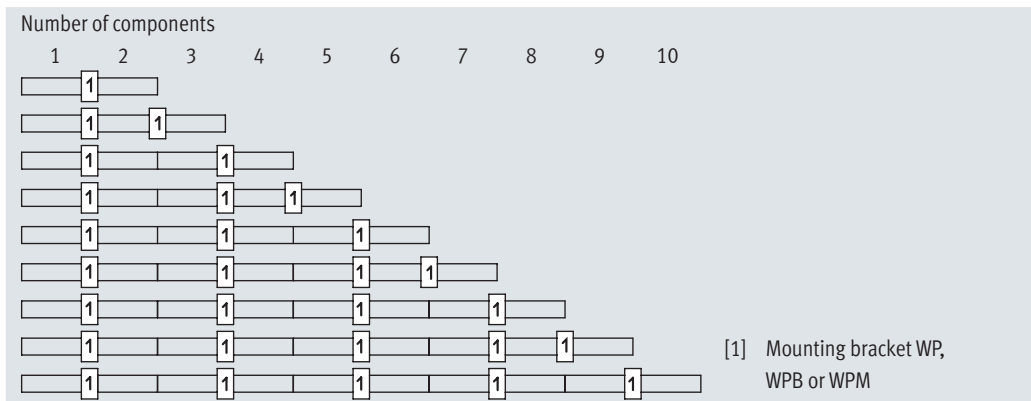
Mounting components MS9

Mounting bracket MS9-WP..

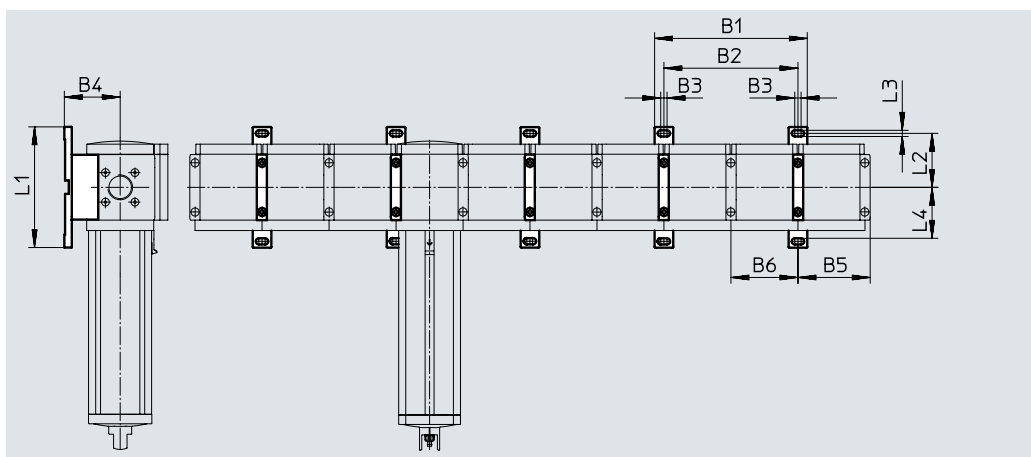
Mounting spacing for mounting service unit combinations

1 service unit component: 90 mm

2 service unit components: 180 mm



Mounting dimensions



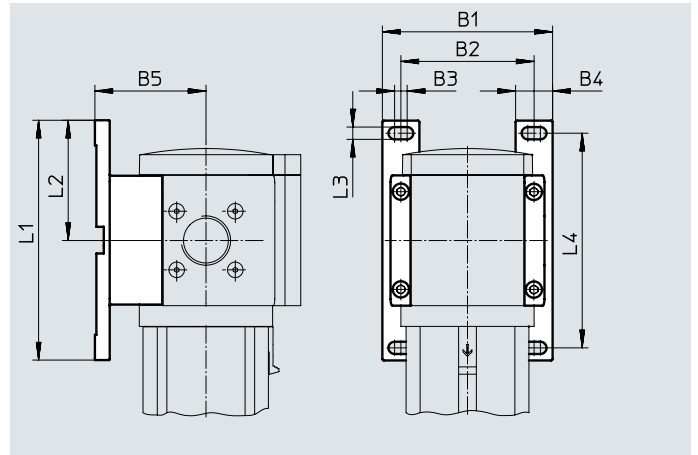
Type	B1	B2	B3	B4	B5	B6	L1	L2	L3	L4
MS9-WP	205	180	8.5	75	97	90	162	72.75	8.3	72.25
MS9-WPB				99						
MS9-WPM				90.5						

Mounting components MS9

Mounting bracket MS9-WP

(order code: WP)

- For connecting the modules for wall mounting
- In combination with connecting plate MS9-AG... for wall mounting an individual component



Operating and environmental conditions

Temperature of medium	[°C]	-10 ... +60
Corrosion resistance class CRC ¹⁾		2


1) More information www.festo.com/x/topic/crc

Materials

Bracket	Die-cast aluminium
Module connector	Die-cast aluminium
Hollow bolt	Die-cast aluminium
Screws	Steel
Seals	NBR
Note on materials:	RoHS-compliant
LABS (PWIS) conformity	VDMA24364-B1/B2-L

Dimensions and ordering data

Size	B1	B2	B3	B4	B5	L1	L2	L3	L4	Weight [g]	Part no.	Type
MS9	115	90	8.5	25	75	162	81.25	8.3	145	180	552947	MS9-WP

 **Note**

The screws for the wall bracket are partially covered on the rear by the housing of the on/off valves MS9-EM or MS9-EE.

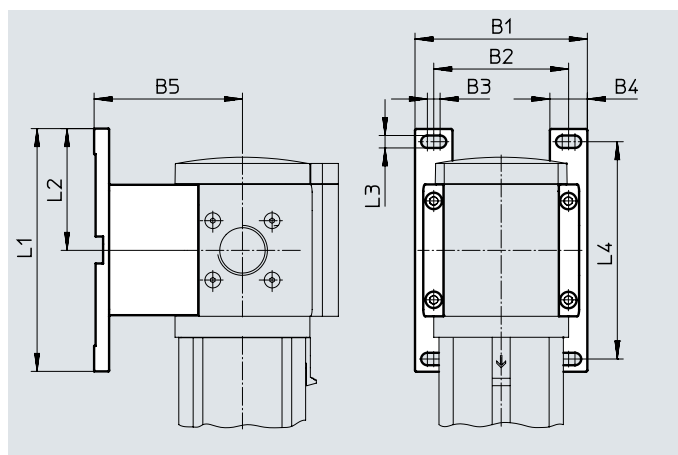
Depending on the configuration of a service unit combination, the screws will no longer be accessible. The mounting bracket MS9-WPM is therefore recommended for wall mounting.

Mounting components MS9

Mounting bracket MS9-WPB

(order code: WPB)

- For connecting the modules for wall mounting
- In combination with connecting plate MS9-AG... for wall mounting an individual component
- Same wall gap for combination with MS12 series using the mounting bracket MS12-WP



Operating and environmental conditions

Temperature of medium	[°C]	-10 ... +60
Corrosion resistance class CRC ¹⁾		2

1) More information www.festo.com/x/topic/crc

Materials

Bracket	Die-cast aluminium
Module connector	Die-cast aluminium
Hollow bolt	Die-cast aluminium
Screws	Steel
Seals	NBR
Note on materials:	RoHS-compliant
LABS (PWIS) conformity	VDMA24364-B1/B2-L

Dimensions and ordering data

Size	B1	B2	B3	B4	B5	L1	L2	L3	L4	Weight [g]	Part no.	Type
MS9	115	90	8.5	25	99	162	81.25	8.3	145	210	552949	MS9-WPB

Note

The screws for the wall bracket are partially covered on the rear by the housing of the on/off valves MS9-EM or MS9-EE.

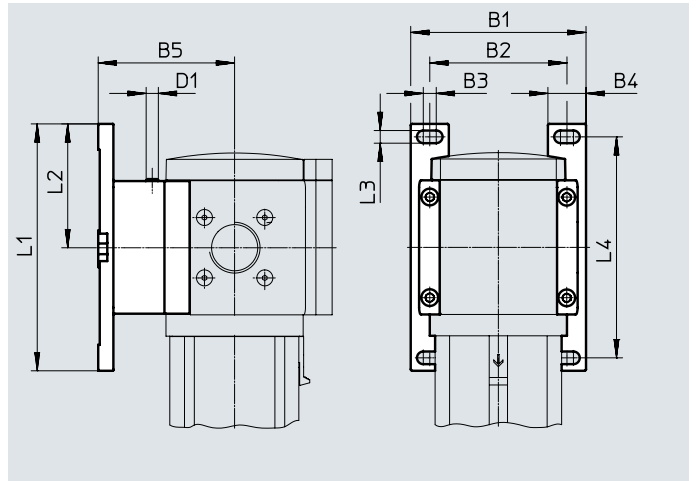
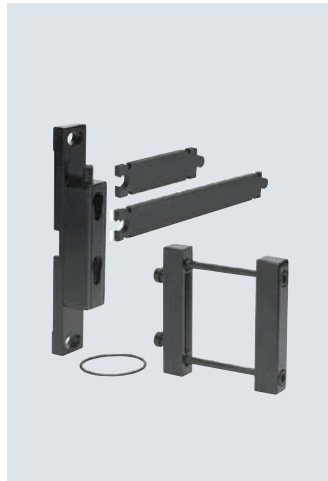
Depending on the configuration of a service unit combination, the screws will no longer be accessible. The mounting bracket MS9-WPM is therefore recommended for wall mounting.

Mounting components MS9

Mounting bracket MS9-WPM

(order code: WPM)

- For connecting the modules for wall mounting
- In combination with connecting plate MS9-AG... for wall mounting an individual component
- Fast hooking and unhooking
- Same wall gap for combination with MS6 series using the mounting bracket MS6-WPB



The distance pieces included in the scope of delivery ensure the mounting spacing is maintained.

Operating and environmental conditions

Temperature of medium	[°C]	-10 ... +60
Corrosion resistance class CRC ¹⁾		2

1) More information www.festo.com/x/topic/crc

Materials

Bracket	Die-cast aluminium
Module connector	Die-cast aluminium
Hollow bolt	Die-cast aluminium
Screws	Steel
Seals	NBR
Note on materials:	RoHS-compliant
LABS (PWIS) conformity	VDMA24364-B1/B2-L

Dimensions and ordering data

Size	B1	B2	B3	B4	B5	D1	L1	L2	L3	L4	Weight [g]	Part no.	Type
MS9	115	90	8.5	25	90.5	M8	162	81.3	8.3	145	220	552948	MS9-WPM

Mounting components MS9

Module connector MS9-MV

- For connecting the modules



Operating and environmental conditions

Temperature of medium	[°C]	-10 ... +60
Corrosion resistance class CRC ¹⁾		2

1) More information www.festo.com/x/topic/crc

Materials

Module connector	Die-cast aluminium
Hollow bolt	Die-cast aluminium
Screws	Steel
Seals	NBR
Note on materials:	RoHS-compliant
LABS (PWIS) conformity	VDMA24364-B1/B2-L

Ordering data

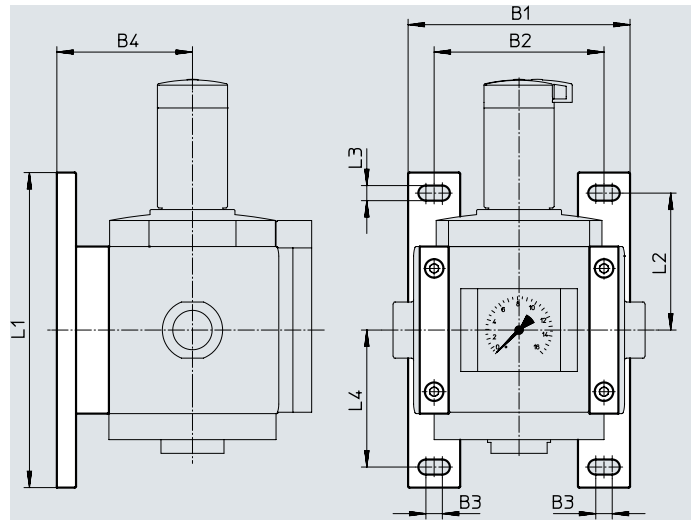
Size	Weight [g]	Part no.	Type
MS9	110	552950	MS9-MV

Mounting components MS12

Mounting bracket MS12-WP

(order code: WP)

- For connecting the modules for wall mounting
- In combination with connecting plate for wall mounting an individual component



Operating and environmental conditions

Temperature of medium	[°C]	-10 ... +60
Storage temperature	[°C]	-10 ... +60
Corrosion resistance class CRC ¹⁾		2

1) More information www.festo.com/x/topic/crc

Materials

Bracket	Die-cast aluminium
Plate	Die-cast aluminium
Screws	Steel
Seals	NBR
Note on materials:	RoHS-compliant
LABS (PWIS) conformity	VDMA24364-B1/B2-L

Dimensions and ordering data

Size	B1	B2	B3	B4	L1	L2	L3	L4	Weight [g]	Part no.	Type
MS12	162	124	12	99	230	100	11	100	700	537133	MS12-WP

Mounting components MS12

Module connector MS12-MV

- For connecting the modules



Operating and environmental conditions

Temperature of medium	[°C]	-10 ... +60
Storage temperature	[°C]	-10 ... +60
Corrosion resistance class CRC ¹⁾		2

1) More information www.festo.com/x/topic/crc

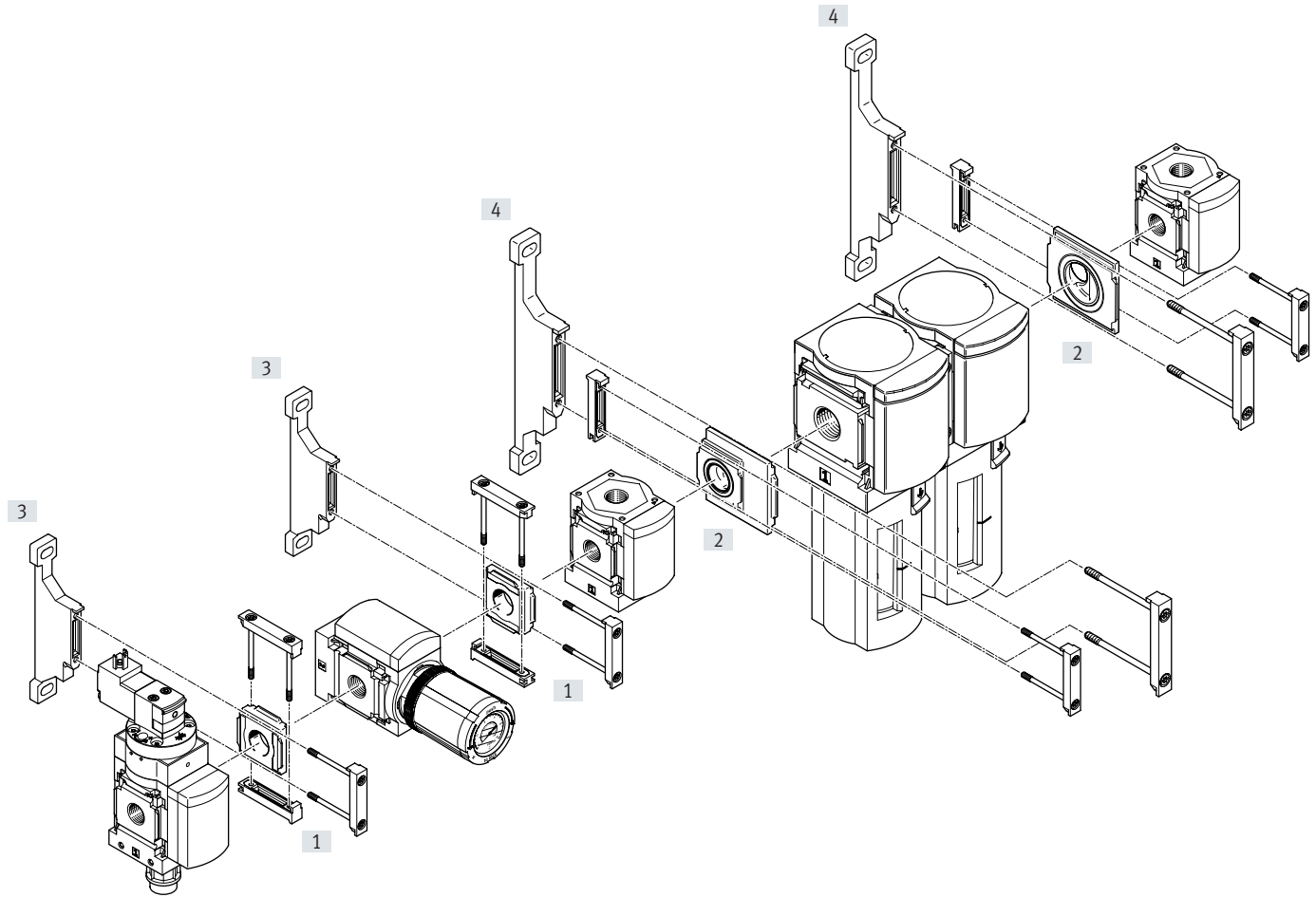
Materials

Plate	Die-cast aluminium
Screws	Steel
Seals	NBR
Note on materials:	RoHS-compliant
LABS (PWIS) conformity	VDMA24364-B1/B2-L

Ordering data


Size	Weight [g]	Part no.	Type
MS12	500	537134	MS12-MV

Mounting components MS4, MS6



Mounting components

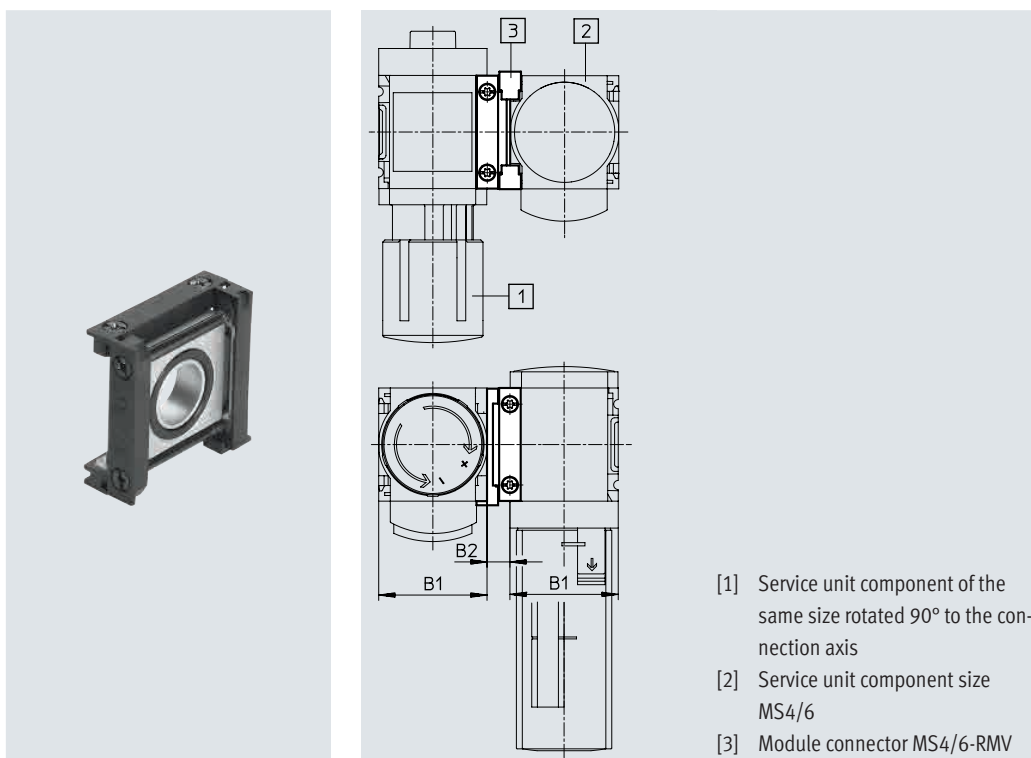
		→ Page/Internet
[1]	Module connector MS4/6-RMV	27
[2]	Module connector MS4-6-AMV	28
[3]	Mounting bracket MS4-WP	11
[4]	Mounting bracket MS6-WP	11

 **Note**
Mounting components for wall
mounting → page 10

Mounting components MS4, MS6

Module connector MS4/6-RMV

- For connecting service unit components rotated 90° to the connection axis



- [1] Service unit component of the same size rotated 90° to the connection axis
 [2] Service unit component size MS4/6
 [3] Module connector MS4/6-RMV

Operating and environmental conditions

Temperature of medium	[°C]	-10 ... +60
Corrosion resistance class CRC ¹⁾		2

1) More information www.festo.com/x/topic/crc

Materials

Connecting plate	Die-cast aluminium
Module connector	Die-cast aluminium
Sealing ring	NBR
Note on materials:	RoHS-compliant
LABS (PWIS) conformity	VDMA24364-B1/B2-L

Dimensions and ordering data

Size	B1	B2	Weight [g]	Part no.	Type
MS4	40.2	8.5	42	543490	MS4-RMV
MS6	62	11	112	543491	MS6-RMV


For use in potentially explosive areas in zones 2 and 22

MS4	40.2	8.5	42	563393	MS4-RMV-EX
MS6	62	11	112	563394	MS6-RMV-EX

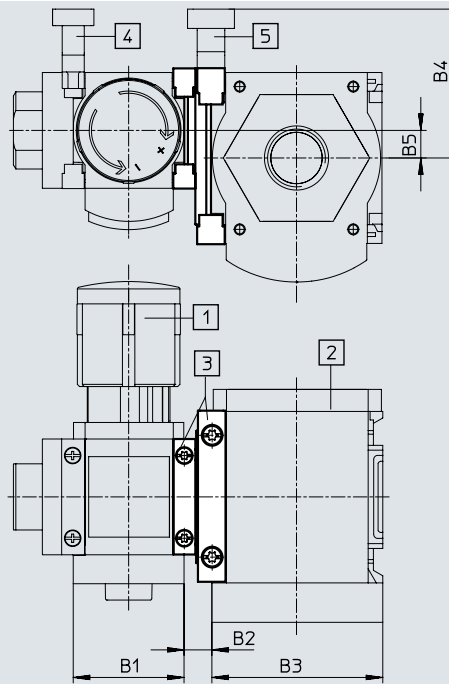
Mounting components MS4, MS6

Module connector MS4-6-AMV

- For connecting MS4 and MS6 components into one unit

 **Note**

The larger mounting bracket should always be used on the module connector. The mounting bracket must be ordered separately.



- [1] Service unit component size MS4
- [2] Service unit component size MS6
- [3] Module connector MS4-6-AMV
- [4] Mounting bracket MS4-WP
- [5] Mounting bracket MS6-WP

Operating and environmental conditions

Temperature of medium [°C]	-10 ... +60
Corrosion resistance class CRC ¹⁾	2

1) More information www.festo.com/x/topic/crc

Materials

Connecting plate	Die-cast aluminium
Module connector	Die-cast aluminium
Sealing ring	NBR
Note on materials:	RoHS-compliant
LABS (PWIS) conformity	VDMA24364-B1/B2-L

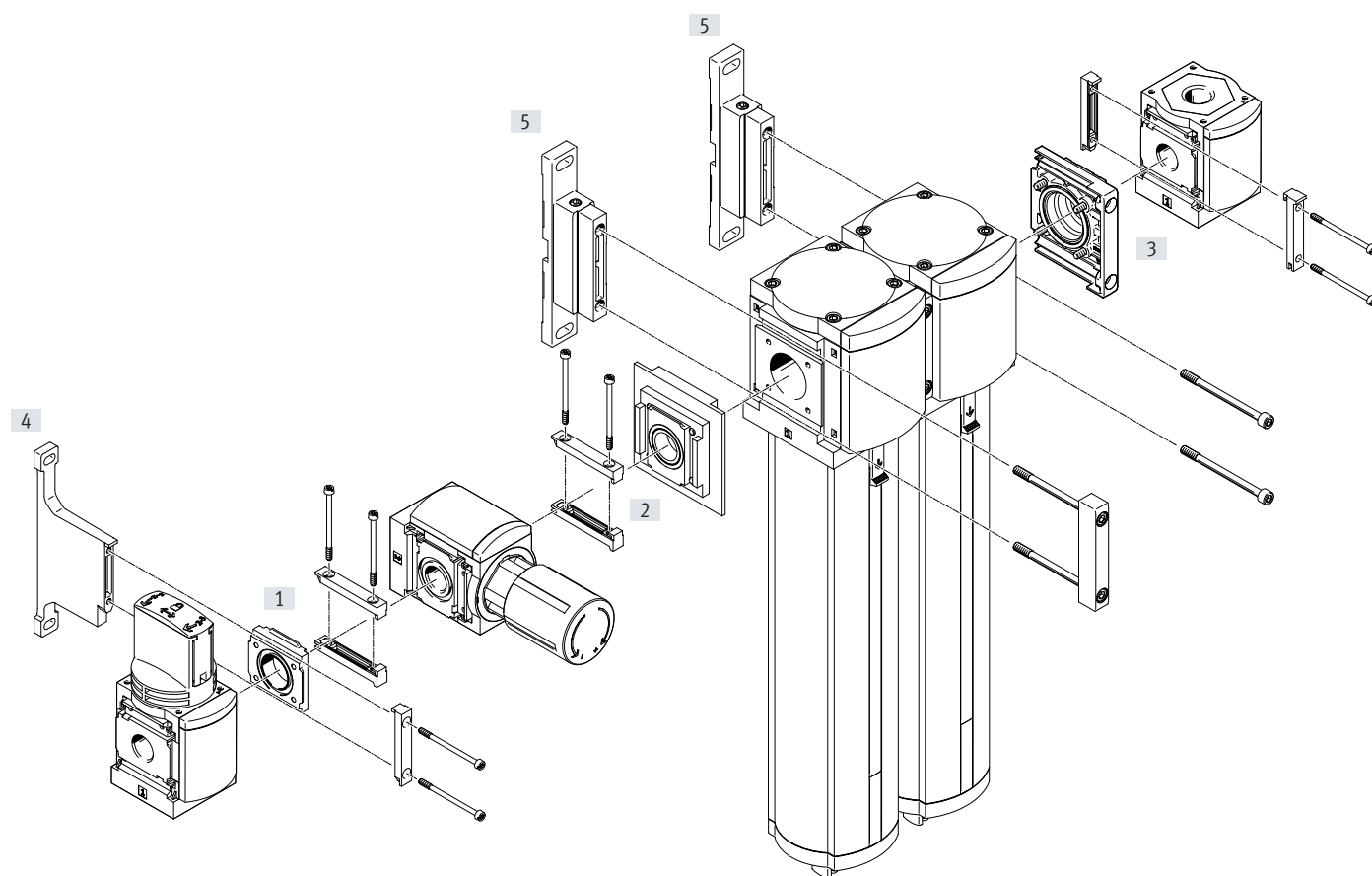
Dimensions and ordering data

Size	B1	B2	B3	B4	B5	Weight [g]	Part no.	Type
MS4/6	40.2	10	62	54.1	10	77	543489	MS4-6-AMV

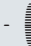
For use in potentially explosive areas in zones 2 and 22

MS4/6	40.2	10	62	54.1	10	77	563392	MS4-6-AMV-EX
-------	------	----	----	------	----	----	--------	--------------

Mounting components MS6/MS9




Mounting components		→ Page/Internet
[1]	Module connector MS6-RMV	27
[2]	Module connector MS6-9-ARMV	31
[3]	Module connector MS6-9-AMV	30
[4]	Mounting bracket MS6-WPB	12
[5]	Mounting bracket MS9-WPM	22

 **Note**
Same wall gap when using mounting brackets MS6-WPB and MS9-WPM within an MS6/9 combination.

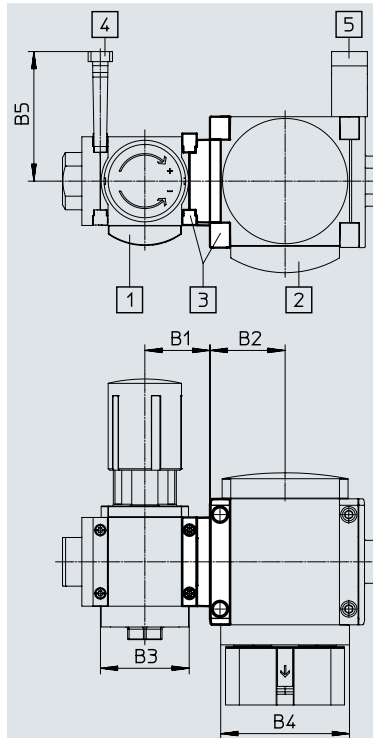
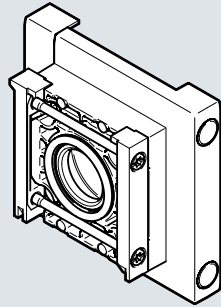
Module connector MS6/MS9

Module connector MS6-9-AMV

- For connecting MS6 and MS9 components into one unit
- Mounting with mounting bracket possible

 **Note**

The larger mounting bracket should always be used on the module connector. The mounting bracket must be ordered separately.



- [1] Service unit component size MS6
- [2] Service unit component size MS9
- [3] Module connector MS6-9-AMV
- [4] Mounting bracket MS6-WPB
- [5] Mounting bracket MS9-WPM

Operating and environmental conditions

Temperature of medium [°C]	-10 ... +60
Corrosion resistance class CRC ¹⁾	2

1) More information www.festo.com/x/topic/crc

Materials

Connecting plate	Die-cast aluminium
Module connector	Die-cast aluminium
Screws	Steel
Seals	NBR
Note on materials:	RoHS-compliant
LABS (PWIS) conformity	VDMA24364-B1/B2-L


Dimensions and ordering data

Size	B1	B2	B3	B4	B5	Weight [g]	Part no.	Type
MS6/9	45.5	52.5	62	90	90.5	220	3426895	MS6-9-AMV
For use in potentially explosive areas in zones 1, 2, 21 and 22								
MS6/9	45.5	52.5	62	90	90.5	220	3433264	MS6-9-AMV-EX

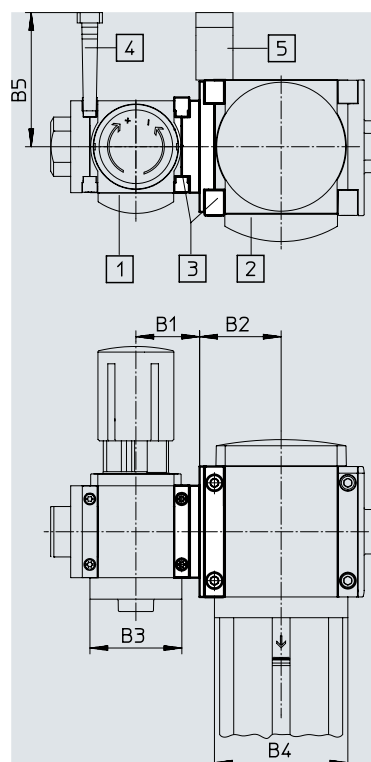
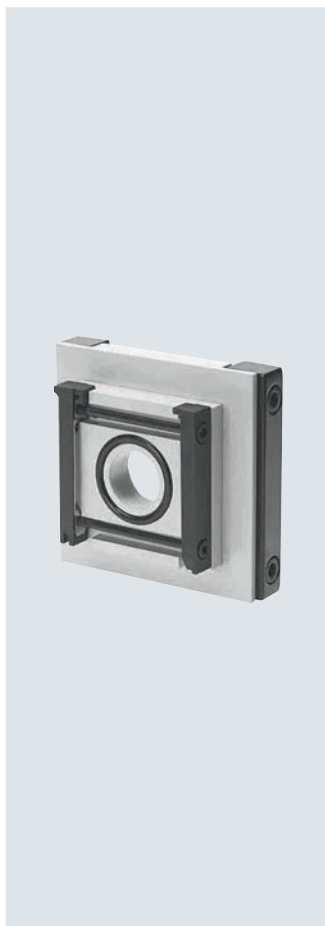
Module connector MS6/MS9

Module connector MS6-9-ARMV

- For connecting MS6 and MS9 components into one unit
- Possible to rotate a service unit component 90° to the connection axis

 **Note**

The larger mounting bracket should always be used on the module connector. The mounting bracket must be ordered separately.



- [1] Service unit component size MS6
- [2] Service unit component size MS9
- [3] Module connector MS6-9-ARMV
- [4] Mounting bracket MS6-WPB
- [5] Mounting bracket MS9-WPM

Operating and environmental conditions

Temperature of medium [°C]	-10 ... +60
Corrosion resistance class CRC ¹⁾	2

1) More information www.festo.com/x/topic/crc

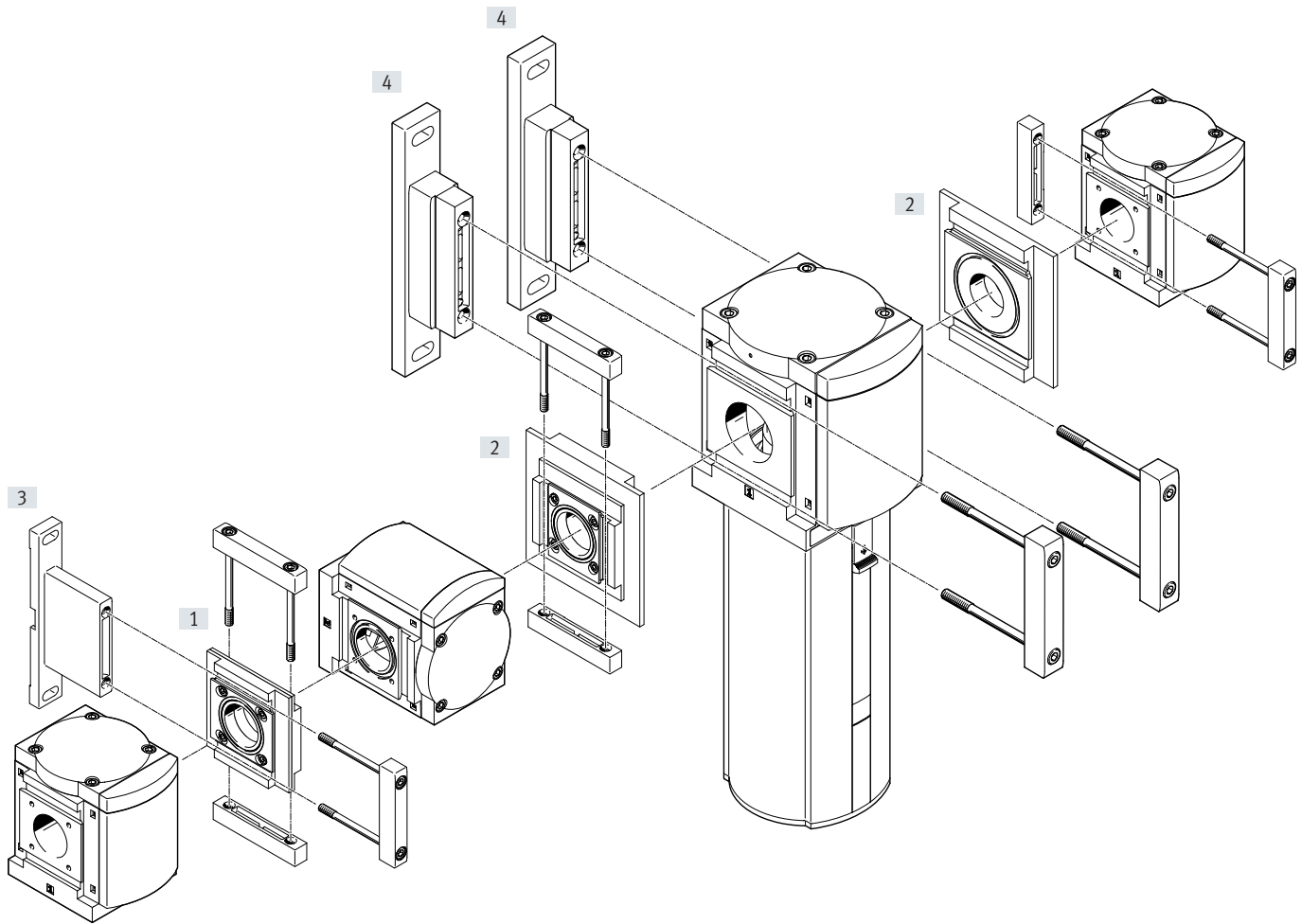
Materials

Connecting plate	Die-cast aluminium
Module connector	Die-cast aluminium
Screws	Steel
Seals	NBR
Note on materials:	RoHS-compliant
LABS (PWIS) conformity	VDMA24364-B1/B2-L

Dimensions and ordering data

Size	B1	B2	B3	B4	B5	Weight [g]	Part no.	Type
MS6/9	43	55	62	90	90.5	350	552951	MS6-9-ARMV
For use in potentially explosive areas in zones 1, 2, 21 and 22								
MS6/9	43	55	62	90	90.5	350	1758175	MS6-9-ARMV-EX

Mounting components MS9/MS12



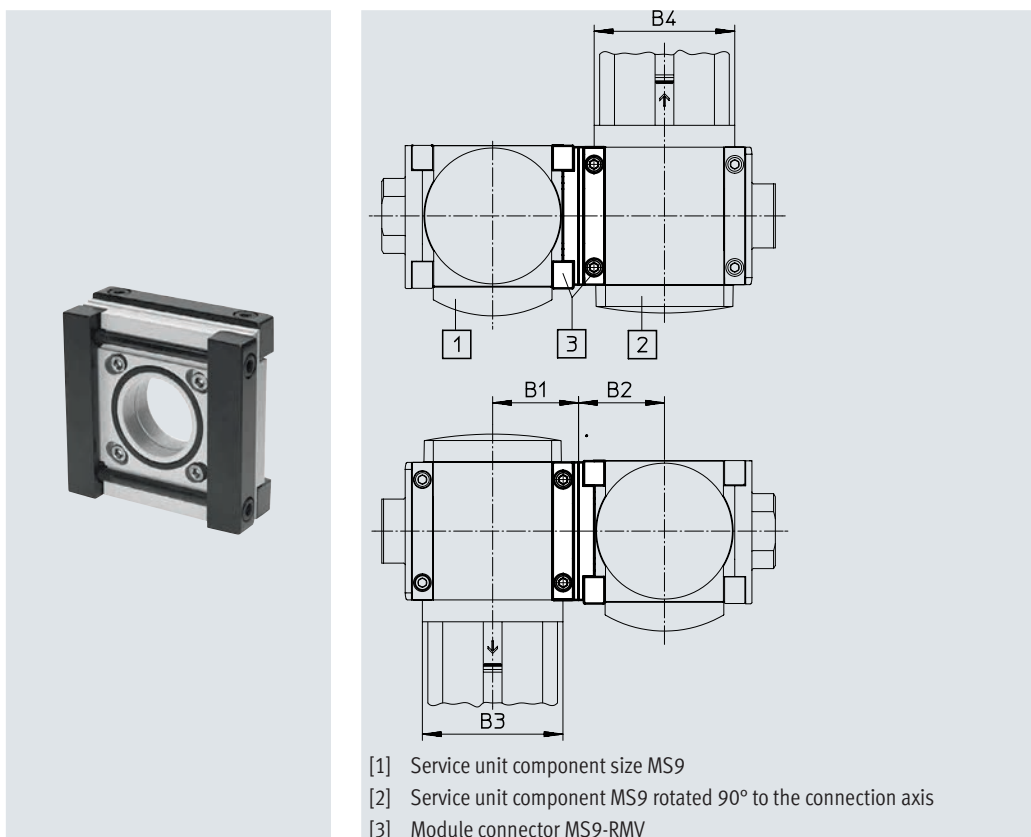
Mounting components

		→ Page/Internet
[1]	Module connector MS9-RMV	33
[2]	Module connector MS9-12-ARMV	34
[3]	Mounting bracket MS9-WPB	21
[4]	Mounting bracket MS12-WP	24

Mounting components MS9/MS12

Module connector MS9-RMV

- For connecting service unit components rotated 90° to the connection axis



Operating and environmental conditions

Temperature of medium [°C]	-10 ... +60
Corrosion resistance class CRC ¹⁾	2

1) More information www.festo.com/x/topic/crc

Materials

Connecting plate	Die-cast aluminium
Module connector	Die-cast aluminium
Screws	Steel
Seals	NBR
Note on materials:	RoHS-compliant
LABS (PWIS) conformity	VDMA24364-B1/B2-L


Dimensions and ordering data

Size	B1	B2	B3	B4	Weight [g]	Part no.	Type
MS9	55	55	90	90	920	552952	MS9-RMV

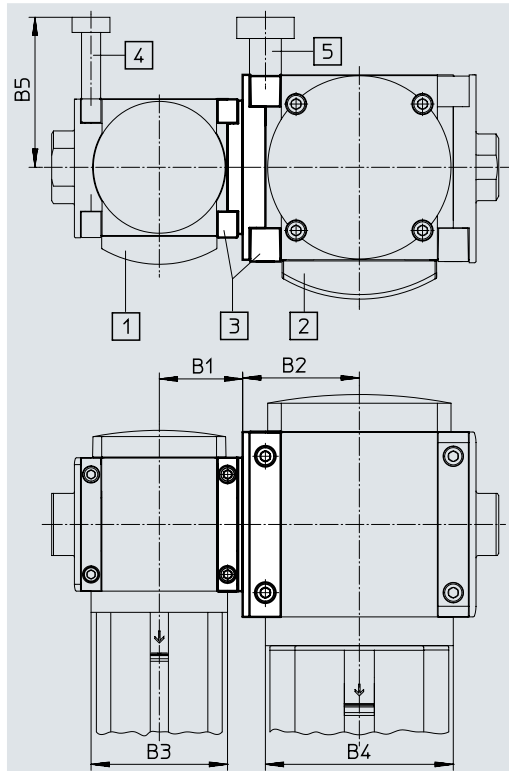
Mounting components MS9/MS12

Module connector MS9-12-ARMV

- For connecting MS9 and MS12 components into one unit
- Possible to rotate a service unit component 90° to the connection axis

 **Note**

The larger mounting bracket should always be used on the module connector. The mounting bracket must be ordered separately.



- [1] Service unit component size MS9
- [2] Service unit component size MS12
- [3] Module connector MS9-12-ARMV
- [4] Mounting bracket MS9-WPB
- [5] Mounting bracket MS12-WPM

Operating and environmental conditions

Temperature of medium [°C]	-10 ... +60
Corrosion resistance class CRC ¹⁾	2

1) More information www.festo.com/x/topic/crc

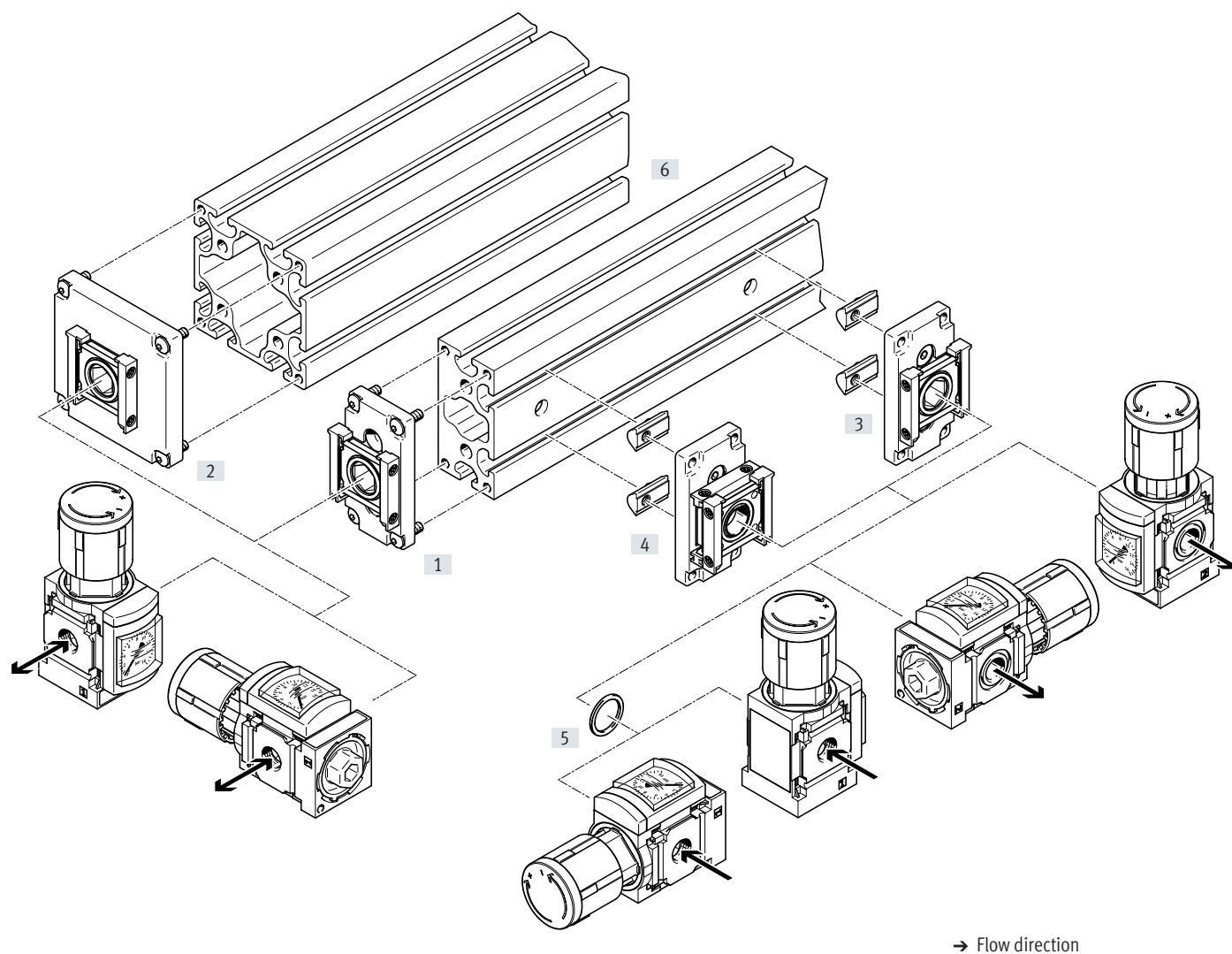
Materials

Connecting plate	Die-cast aluminium
Module connector	Die-cast aluminium
Screws	Steel
Seals	NBR
Note on materials:	RoHS-compliant
LABS (PWIS) conformity	VDMA24364-B1/B2-L

Dimensions and ordering data

Size	B1	B2	B3	B4	B5	Weight [g]	Part no.	Type
MS9/12	55	77	90	124	99	990	552953	MS9-12-ARMV

Mounting components MS4, MS6



→ Flow direction

Mounting components		→ Page/Internet
[1]	Power supply module MS4/6-E-IPM-40-80	36
[2]	Power supply module MS4/6-E-IPM-80-80	37
[3]	Branching module MS4/6-A-IPM-80	38
[4]	Branching module MS4/6-A-RMV-IPM-80	39
[5]	Sealing ring MS4/6-NNR	40
[6]	Profile 40x80/80x80, closing plate, supply plate	On request

Note

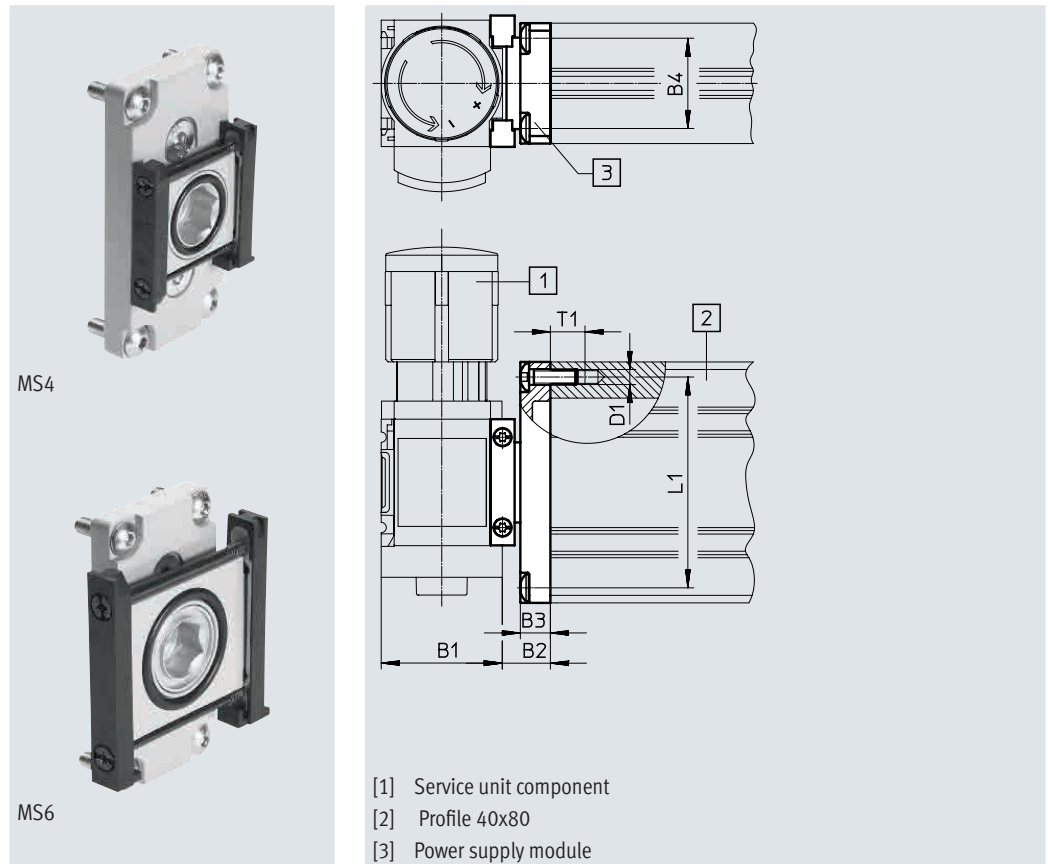
Additional mounting components are required for mounting a service unit combination → page 10

Mounting components MS4, MS6

Power supply module

MS4/6-E-IPM-40-80

- For mounting a service unit component on the end face of a profile of size 40x80
- Module connector can be rotated 90° for horizontal mounting of the service unit component



- [1] Service unit component
- [2] Profile 40x80
- [3] Power supply module

Operating and environmental conditions

Temperature of medium [°C]	-10 ... +60
Corrosion resistance class CRC ¹⁾	2

1) More information www.festo.com/x/topic/crc

Materials

Connecting plate	Die-cast aluminium
Module connector	Die-cast aluminium
Hollow bolt	Die-cast aluminium
Screws	Steel
Seals	NBR
Note on materials:	RoHS-compliant
LABS (PWS) conformity	VDMA24364-B1/B2-L

Dimensions and ordering data

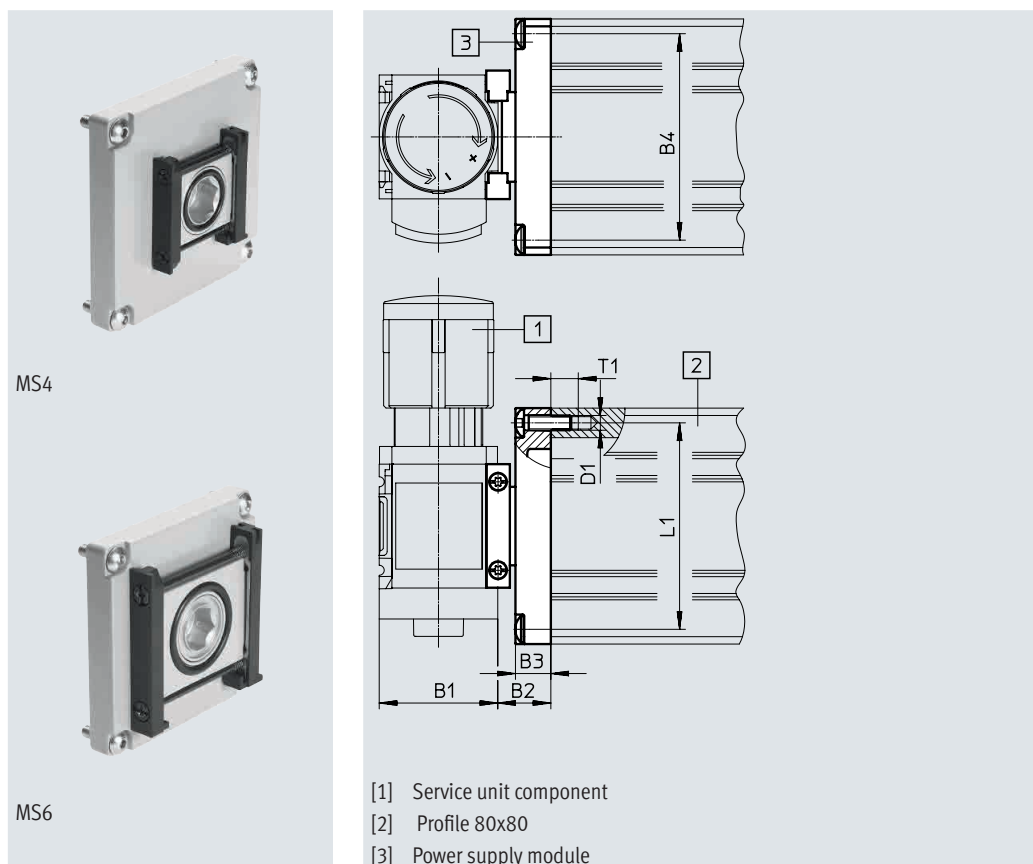
Size	B1	B2	B3	B4	D1	L1	T1	Weight [g]	Part no.	Type
MS4	40.2	16	10	30 ±0.2	M5	70 ±0.2	11.5	109	543494	MS4-E-IPM-40-80
MS6	62	16	10	30 ±0.2	M5	70 ±0.2	11.5	141	543496	MS6-E-IPM-40-80

Mounting components MS4, MS6

Power supply module

MS4/6-E-IPM-80-80

- For mounting a service unit component on the end face of a profile of size 80x80
- Module connector can be rotated 90° for horizontal mounting of the service unit component



Operating and environmental conditions

Temperature of medium [°C]	-10 ... +60
Corrosion resistance class CRC ¹⁾	2

1) More information www.festo.com/x/topic/crc

Materials

Connecting plate	Die-cast aluminium
Module connector	Die-cast aluminium
Hollow bolt	Die-cast aluminium
Screws	Steel
Seals	NBR
Note on materials:	RoHS-compliant
LABS (PWIS) conformity	VDMA24364-B1/B2-L

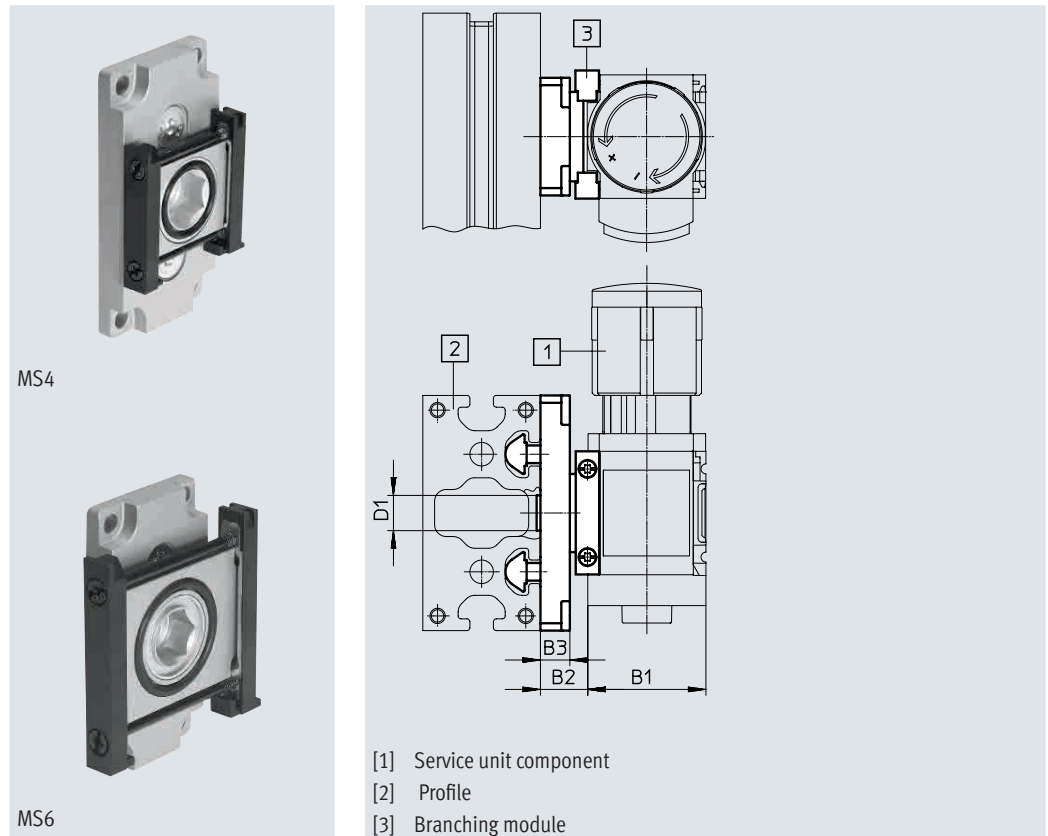
Dimensions and ordering data

Size	B1	B2	B3	B4	D1	L1	T1	Weight [g]	Part no.	Type
MS4	40.2	18	12	70 ±0.2	M5	70 ±0.2	9.3	186	543495	MS4-E-IPM-80-80
MS6	62	18	12	70 ±0.2	M5	70 ±0.2	9.3	218	543497	MS6-E-IPM-80-80

Mounting components MS4, MS6

Branching module MS4/6-A-IPM-80

- For mounting a service unit component on the longitudinal side of a profile
- Module connector can be rotated 90° for horizontal mounting of the service unit component



- [1] Service unit component
- [2] Profile
- [3] Branching module

Operating and environmental conditions

Temperature of medium [°C]	-10 ... +60
Corrosion resistance class CRC ¹⁾	2

1) More information www.festo.com/x/topic/crc

Materials

Connecting plate	Die-cast aluminium
Module connector	Die-cast aluminium
Hollow bolt	Die-cast aluminium
Screws	Steel
Seals	NBR
Note on materials:	RoHS-compliant
LABS (PWIS) conformity	VDMA24364-B1/B2-L

Dimensions and ordering data

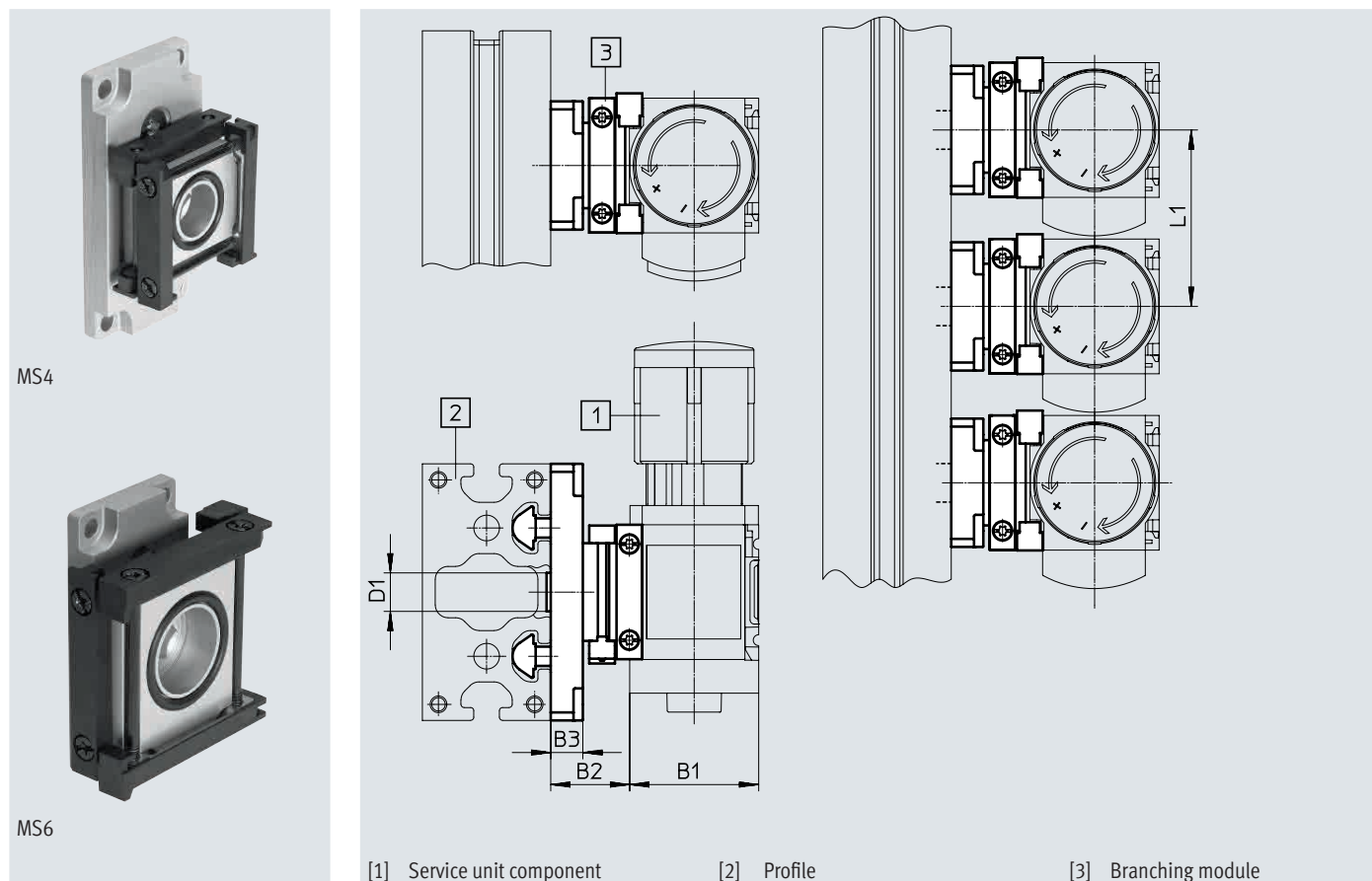
Size	B1	B2	B3	D1 ∅	Weight [g]	Part no.	Type
MS4	40.2	16	10	11.8 ±0.1	124	543498	MS4-A-IPM-80
MS6	62	16	10	11.8 ±0.1	156	543499	MS6-A-IPM-80

Mounting components MS4, MS6

Branching module

MS4/6-A-RMV-IPM-80

- For mounting a service unit component on the longitudinal side of a profile
- Suitable for block mounting (module connector fittings are accessible from above, allowing quick replacement of an individual component)
- Module connector can be rotated 90° for horizontal mounting of the service unit component



Operating and environmental conditions

Temperature of medium	[°C]	-10 ... +60
Corrosion resistance class CRC ¹⁾		2

1) More information www.festo.com/x/topic/crc

Materials

Connecting plate	Die-cast aluminium
Module connector	Die-cast aluminium
Hollow bolt	Die-cast aluminium
Screws	Steel
Seals	NBR
Note on materials:	RoHS-compliant
LABS (PWIS) conformity	VDMA24364-B1/B2-L

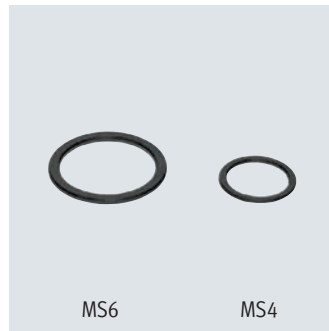
Dimensions and ordering data

Size	B1	B2	B3	D1 ∅	L1 min.	Weight [g]	Part no.	Type
MS4	40.2	24.5	10	11.8 ±0.1	55	150	543500	MS4-A-RMV-IPM-80
MS6	62	27	10	11.8 ±0.1	77	236	543501	MS6-A-RMV-IPM-80

Mounting components MS4, MS6

Sealing ring MS4/6-NNR

- For sealing a branching module
MS-A-IPM when used as a power supply module



Operating and environmental conditions

Temperature of medium [°C]	-10 ... +60
Corrosion resistance class CRC ¹⁾	2

1) More information www.festo.com/x/topic/crc

Materials

Sealing ring	NBR
Note on materials:	RoHS-compliant
LABS (PWIS) conformity	VDMA24364-B1/B2-L

Ordering data

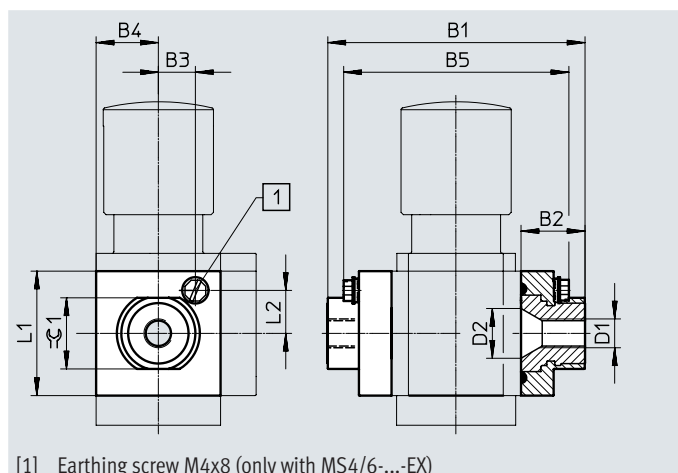
Size	Part no.	Type
MS4	543492	MS4-NNR
MS6	543493	MS6-NNR

Connecting plates MS4, MS6

Connecting plate-SET MS4/6-AG...

(order code: AG...)

- Adapter for pneumatic connection
- MS6-AGE for implementing threaded connection G3/4



[1] Earthing screw M4x8 (only with MS4/6-...-EX)

Operating and environmental conditions		
Temperature of medium	[°C]	-10 ... +60
Corrosion resistance class CRC ¹⁾		2

1) More information www.festo.com/x/topic/crc

Materials	
Connecting plate	Die-cast aluminium
Seals	NBR
Note on materials:	RoHS-compliant
LABS (PWIS) conformity	VDMA24364-B1/B2-L

★ Core Range

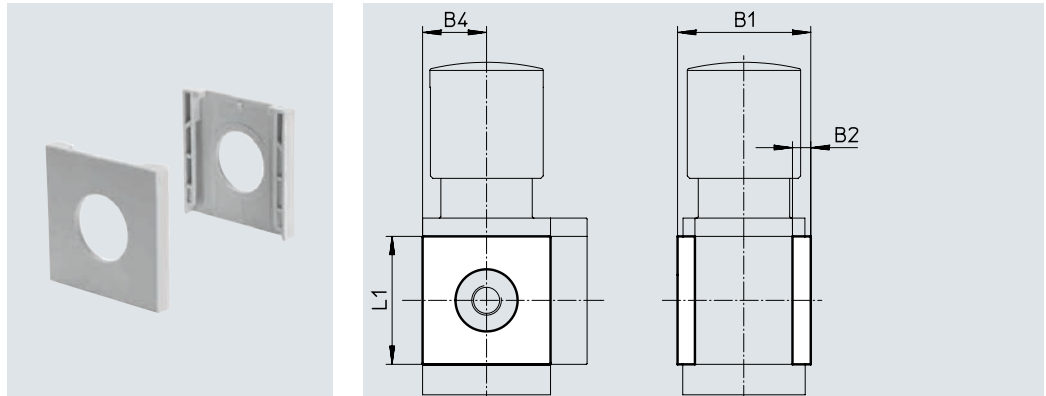
Dimensions and ordering data													
Size	B1	B2	B3	B4	B5	D1	D2	L1	L2	≈G 1	Weight [g]	Part no.	Type
MS4	83.4	21.5	-	21	-	G1/8	16.8	42	-	24	128	526068	MS4-AGA
						G1/4				21	128	★ 526069	MS4-AGB
						G3/8				24	128	★ 526070	MS4-AGC
MS6	115	26.5	-	31	-	G1/4	24	62	-	34	300	526080	MS6-AGB
						G3/8				34	300	526081	MS6-AGC
						G1/2				26	300	★ 526082	MS6-AGD
						G3/4				34	300	★ 526083	MS6-AGE
For use in potentially explosive areas in zones 2 and 22													
MS4	83.5	21.5	12.5	21	72.5	G1/8	16.8	42	14.5	24	128	541549	MS4-AGA-EX
						G1/4				21	128	541550	MS4-AGB-EX
						G3/8				24	128	541551	MS4-AGC-EX
MS6	115	26.5	20.5	31	98.3	G1/4	24	62	15.5	34	300	541538	MS6-AGB-EX
						G3/8				34	300	541539	MS6-AGC-EX
						G1/2				26	300	541540	MS6-AGD-EX
						G3/4				34	300	541541	MS6-AGE-EX

• Note: This product conforms to ISO 1179-1 and ISO 228-1.

Connecting plates MS4, MS6

Cover cap MS4/6-END

- Can be used to cover the sides of the housing for the first and last module if no connecting plates are used.



Materials

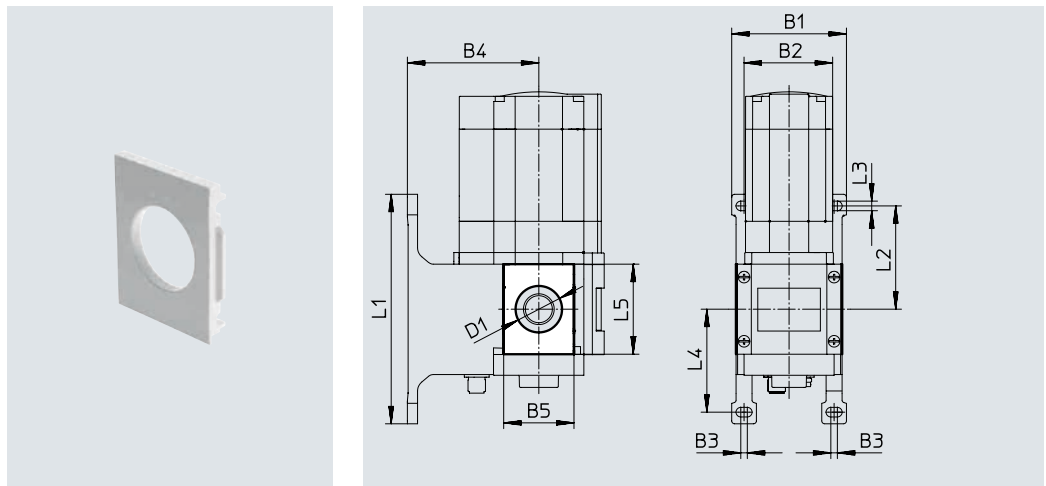
Housing	Reinforced PA
LABS (PWIS) conformity	VDMA24364-B1/B2-L

Dimensions and ordering data

Size	B1	B2	B4	L1	Part no.	Type
MS4	43.6	6	21	42	538779	MS4-END
MS6	67	8	31	62	538780	MS6-END

Mounting plate MS4/6-AEND

- In combination with mounting bracket MS-WP or MS-WPB for wall mounting an individual component



Materials

Plate	Reinforced PA
Note on materials:	RoHS-compliant
LABS (PWIS) conformity	VDMA24364-B1/B2-L

Dimensions and ordering data

Size	B1	B2	B3	B4		B5	D1 ∅	L1	L2	L3	L4	L5	CRC ¹⁾	Weight [g]	Part no.	Type
				WP	WPB											
MS4	55.2	40.2	4	44	66	30.4	20.3	106	46.5	5.6	46.7	42	2	4	542966	MS4-AEND
MS6	79	62	4.5	54	90.5	48.4	32	158	71	6.6	71	62	2	17	535408	MS6-AEND1

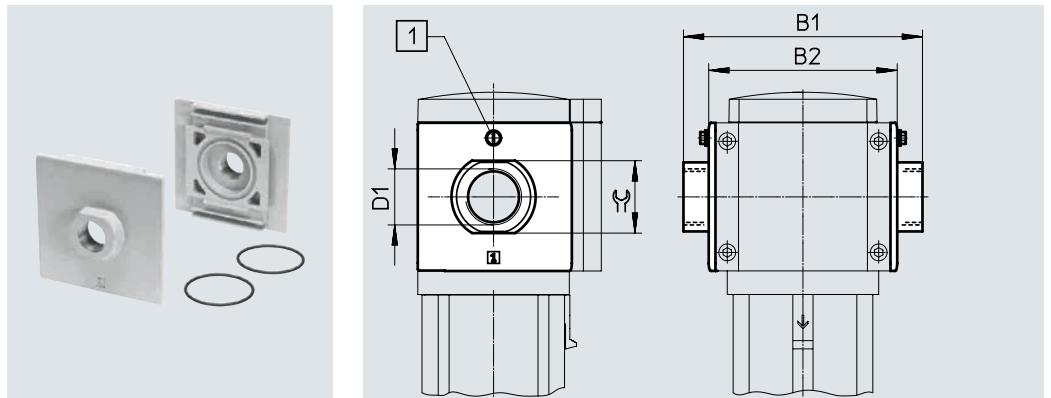
1) More information www.festo.com/x/topic/crc

Connecting plates MS9

Connecting plate-SET MS9-AG.../ MS9-AQ...

(order code: AG.../AQ...)

- Adapter for pneumatic connection



Operating and environmental conditions

Temperature of medium [°C]	-10 ... +60
Corrosion resistance class CRC ¹⁾	2

1) More information www.festo.com/x/topic/crc

Materials

Connecting plate	Die-cast aluminium
Hollow bolt	Die-cast aluminium
Seals	NBR
Note on materials:	RoHS-compliant
LABS (PWIS) conformity	VDMA24364-B1/B2-L

Dimensions and ordering data

Size	B1	B2	D1	±G	Weight [g]	Part no.	Type
G thread							
MS9	132	112	G1/2	30	300	552954	MS9-AGD
	132	112	G3/4	36	300	552955	MS9-AGE
	142	112	G1	41	300	552956	MS9-AGF
	162	112	G1 1/4	50	400	552957	MS9-AGG
	176	112	G1 1/2	55	400	552958	MS9-AGH
NPT thread							
MS9	132	112	1/2 NPT	30	300	552959	MS9-AQR
	132	112	3/4 NPT	36	300	552960	MS9-AQS
	142	112	1 NPT	41	300	552961	MS9-AQT
	162	112	1 1/4 NPT	50	400	552962	MS9-AQU
	176	112	1 1/2 NPT	55	400	552963	MS9-AQV

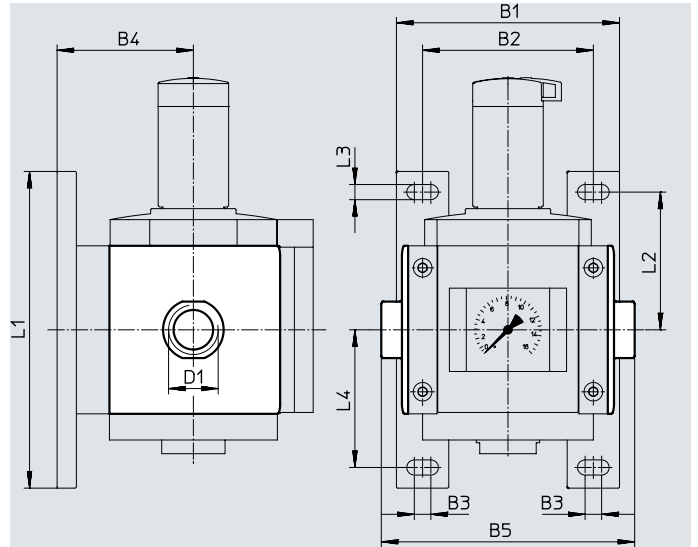
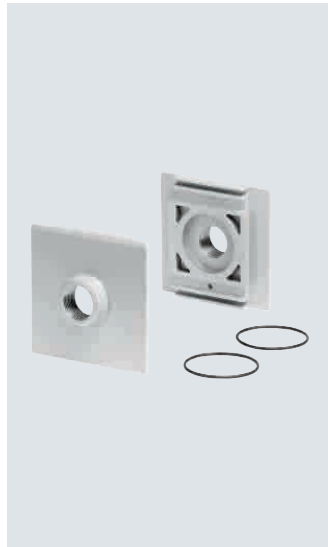
Note: This product conforms to ISO 1179-1 and ISO 228-1.

Connecting plates MS12

Connecting plate-SET MS12-AG...

(order code: AG...)

- Adapter for pneumatic connection



Operating and environmental conditions

Operating medium	Compressed air to ISO 8573-1:2010 [7:4:4]
Temperature of medium [°C]	-10 ... +60
Storage temperature [°C]	-10 ... +60
Corrosion resistance class CRC ¹⁾	2

1) More information www.festo.com/x/topic/crc

Materials

Connecting plate	Die-cast aluminium
Seals	NBR
Note on materials:	RoHS-compliant
LABS (PWIS) conformity	VDMA24364-B1/B2-L

Dimensions and ordering data

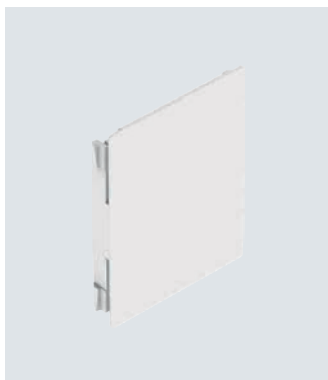
Size	B1	B2	B3	B4	B5	D1	L1	L2	L3	L4	Weight [g]	Part no.	Type
MS12	162	124	12	99	184	G1	230	100	11	100	1300	537135	MS12-AGF
					184	G1 1/4						537136	MS12-AGG
					184	G1 1/2						537137	MS12-AGH
					196	G2						537138	MS12-AGI

† Note: This product conforms to ISO 1179-1 and ISO 228-1.

Covering kits MS4, MS6/MS9/MS12

Covering kit MS...-RB-10

- For covering the rear of the housing



Operating and environmental conditions

Temperature of medium	[°C]	-10 ... +60
Storage temperature	[°C]	-10 ... +60
Corrosion resistance class CRC ¹⁾		2

1) More information www.festo.com/x/topic/crc

Materials

Covering	PA
Note on materials:	RoHS-compliant
LABS (PWIS) conformity	VDMA24364-B1/B2-L

Ordering data

Size	Weight [g]	Part no.	Type
MS4	60	8147574	MS4-RB-10
MS6	72	8147575	MS6-RB-10
MS9	170	8147576	MS9-RB-10
MS12	300	8147577	MS12-RB-10

Safety components MS4, MS6/MS9/MS12

Padlock LRVS-D



Operating and environmental conditions

Ambient temperature	[°C]	-20 ... +60
Temperature of medium	[°C]	-20 ... +60
Corrosion resistance class CRC ¹⁾		2

1) More information www.festo.com/x/topic/crc

Materials

Note on materials:	RoHS-compliant
LABS (PWIS) conformity	VDMA24364-B1/B2-L

Ordering data

Size	Weight [g]	Part no.	Type
MS4, MS6, MS9, MS12	120	193786	LRVS-D

Festo - Your Partner in Automation



1 Festo Inc.
5300 Explorer Drive
Mississauga, ON L4W 5G4
Canada

Festo Customer Interaction Center
Tel: 1 877 463 3786
Fax: 1 877 393 3786
Email: customer.service.ca@festo.com



2 Festo Pneumatic
Av. Ceylán 3,
Col. Tequesquináhuac
54020 Tlalnepantla,
Estado de México

Multinational Contact Center
01 800 337 8669
ventas.mexico@festo.com



3 Festo Corporation
1377 Motor Parkway
Suite 310
Islandia, NY 11749

Festo Customer Interaction Center
1 800 993 3786
1 800 963 3786
customer.service.us@festo.com



4 Regional Service Center
7777 Columbia Road
Mason, OH 45040

Connect with us



www.festo.com/socialmedia



www.festo.com

Subject to change