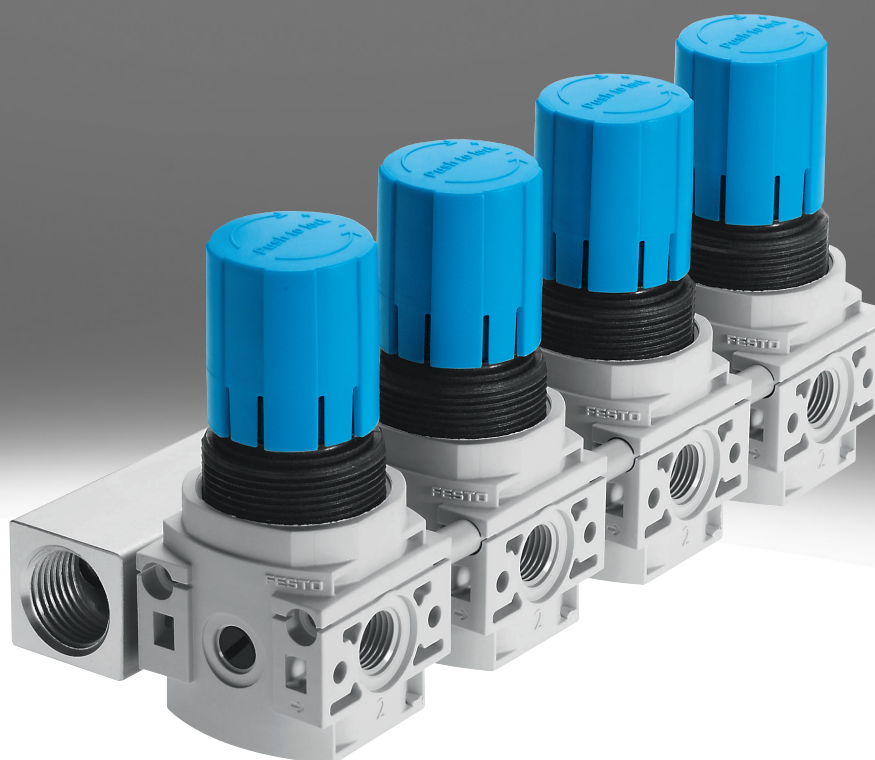


Pressure regulator manifold LRB-DB-K

FESTO



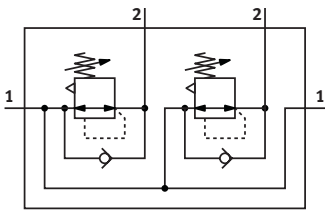
Characteristics

At a glance

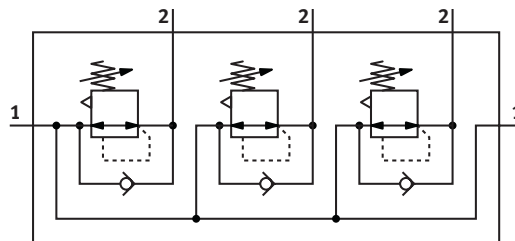
- Good control characteristics with minimal hysteresis and primary pressure compensation
- Manifold assembly with through air supply
- For attaching a regulator manifold with independent pressure ranges
- Setting values are secured by locking the rotary knob

Pressure regulator

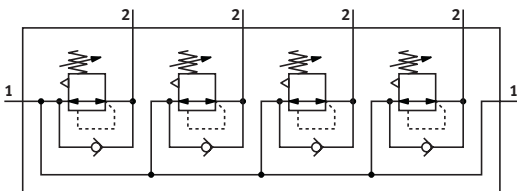
[K2] Regulator manifold, 2 positions



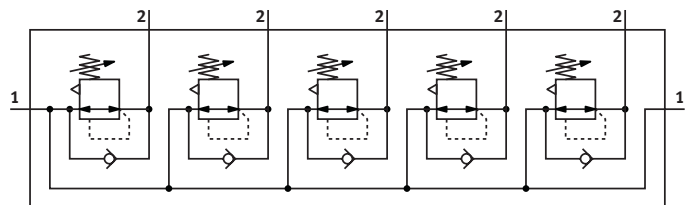
[K3] Regulator manifold, 3 positions



[K4] Regulator manifold, 4 positions



[K5] Regulator manifold, 5 positions



Type code

001	Series
LRB	Pressure regulator
002	Pneumatic connection
1/4	Female thread G1/4
003	Version
DB	D series, polymer
004	Pressure regulation range
7	0.5 ... 7 bar (0.05 ... 0.7 MPa)

005	Pressure gauge
0	Without pressure gauge
006	Pressure regulator
K2	Regulator manifold, 2 positions
K3	Regulator manifold, 3 positions
K4	Regulator manifold, 4 positions
K5	Regulator manifold, 5 positions
007	Size
MINI	Grid dimension 40 mm (without connecting plates)

Datasheet

General technical data

Size	Mini
Pneumatic connection, port 1	G1/2
Pneumatic connection, port 2	G1/4
Design	On common supply manifold Directly actuated piston regulator
Controller function	Output pressure constant With secondary venting With return flow function
Type of mounting	Front panel mounting With accessories
Mounting position	optional
Actuator lock	Rotary knob with detent
Pressure regulation range	0.05 ... 0.7 MPa
Pressure regulation range	0.4 ... 40 bar
Max. pressure hysteresis	0.5 bar

Standard nominal flow rate q_{nN} (measured at $p_1 = 10$ bar, $p_2 = 6$ bar and $\Delta p = 1$ bar)

Standard nominal flow rate (standardised to DIN 1343)	≥ 1000 l/min
---	-------------------

Operating and environmental conditions

Operating pressure	1.5 ... 10 bar
Operating medium	Compressed air to ISO 8573-1:2010 [:-:-]
Ambient temperature	-5 ... 50°C
Media temperature	-5 ... 50°C
Corrosion resistance class CRC ¹⁾	1 - Low corrosion stress

1) More information www.festo.com/x/topic/crc

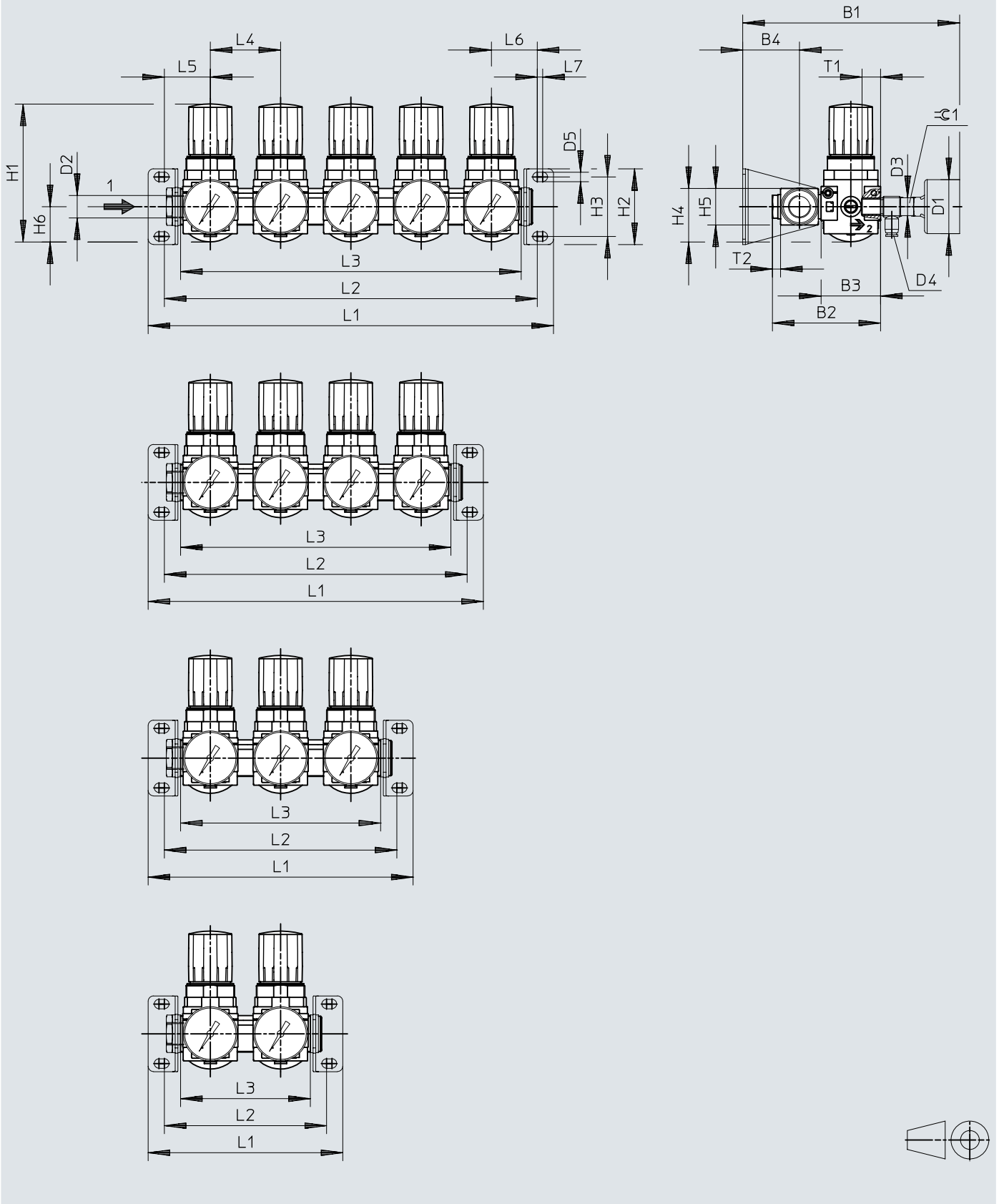
Materials

Material housing	PA-reinforced
Material screw plug	Steel, Galvanised
Material sealing ring	PVC
Material manifold rail	Wrought aluminium alloy
Material spacer bolt	Wrought aluminium alloy
Material seals	NBR
LABS (PWS) conformity	VDMA24364-B1/B2-L

Dimensions

Dimensions – With mounting bracket

Download CAD data www.festo.com



Dimensions

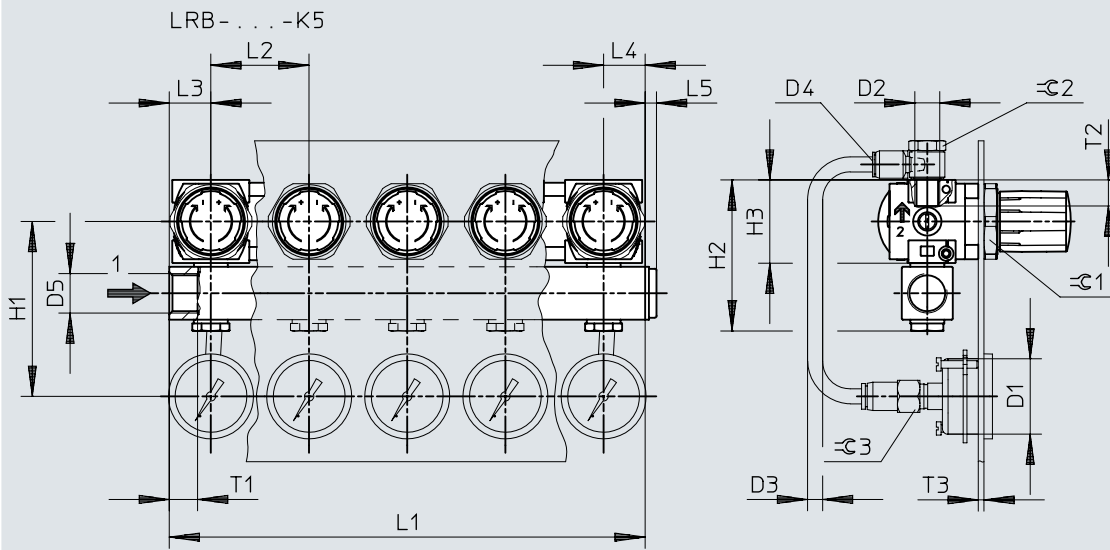
	B1	B2	B3	B4	D1 ∅	D2	D3 ∅	D4 ∅	D5	H1	H2	H3	H4	H5	H6
LRB-...-K5	160	80	44	42	39	G3/8	G1/4	8	7	102	56	44	40	27	26,5
LRB-...-K4															
LRB-...-K3															
LRB-...-K2															

	L1	L2	L3	L4	L5	L6	L7	T1	T2	≈ 1
LRB-...-K5	300	276	252	52	34	34	4	14	6	19
LRB-...-K4	248	224	200							
LRB-...-K3	196	172	148							
LRB-...-K2	144	120	96							

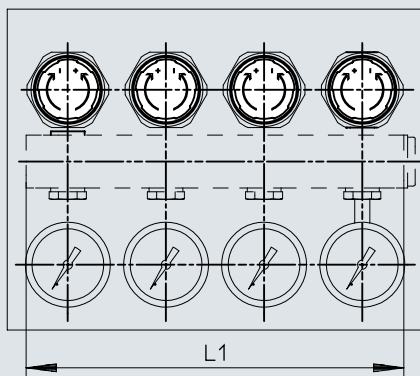
Dimensions

Dimensions – Front panel mounting

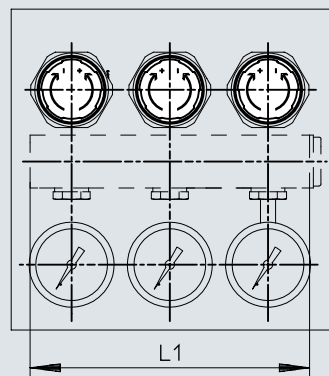
Download CAD data www.festo.com



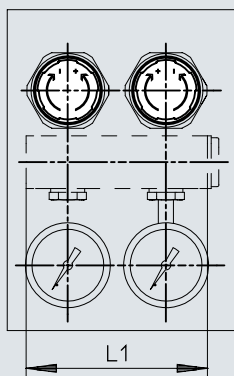
LRB-...-K4



LRB-...-K3




LRB-...-K2





Dimensions

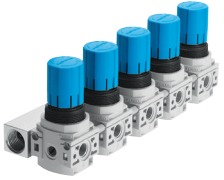
	D1 ∅	D2	D3 ∅	D4 ∅	D5	H1	H2	H3	L1	L2	L3	L4	L5	T1	T2	T3 max.	≙ 1	≙ 2	≙ 3
LRB-...-K5	40	G1/4	8	8	G1/2	93	80	44	252	52	22	22	6	15	14	3	40	19	17
LRB-...-K4									200										
LRB-...-K3									148										
LRB-...-K2									96										

Ordering data

Regulator manifold, 2 positions						
	Size	Pneumatic connection, port 1	Pneumatic connection, port 2	Product weight	Part no.	Type
	Mini	G1/2	G1/4	500 g	540040	LRB-1/4-DB-7-O-K2-MINI

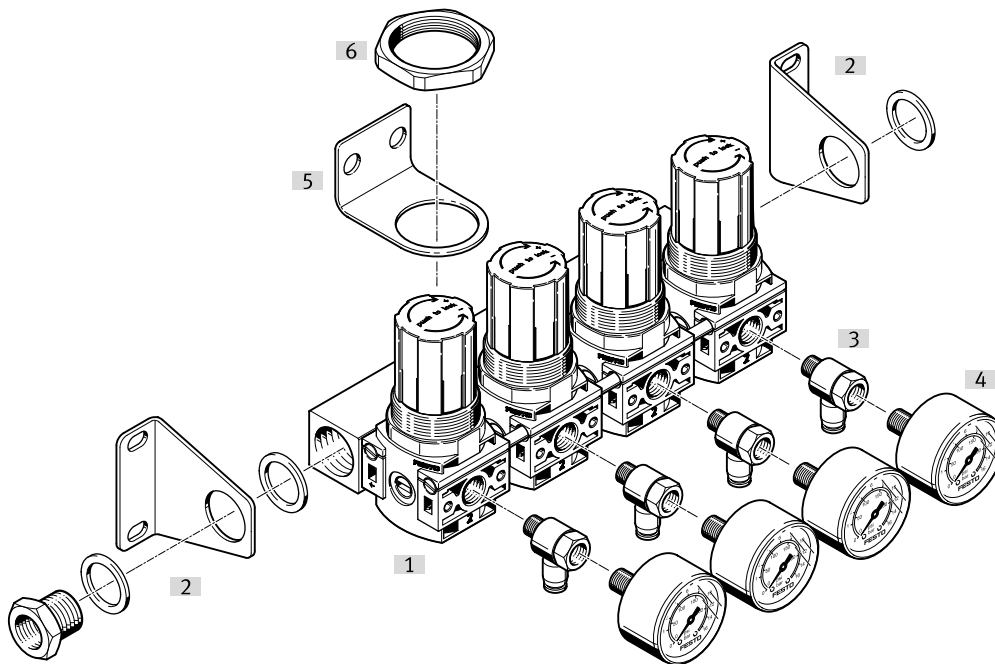
Regular manifold 3 positions						
	Size	Pneumatic connection, port 1	Pneumatic connection, port 2	Product weight	Part no.	Type
	Mini	G1/2	G1/4	750 g	540041	LRB-1/4-DB-7-O-K3-MINI

Regulator manifold, 4 positions						
	Size	Pneumatic connection, port 1	Pneumatic connection, port 2	Product weight	Part no.	Type
	Mini	G1/2	G1/4	1,000 g	540042	LRB-1/4-DB-7-O-K4-MINI

Regulator manifold 5 positions						
	Size	Pneumatic connection, port 1	Pneumatic connection, port 2	Product weight	Part no.	Type
	Mini	G1/2	G1/4	1,250 g	540043	LRB-1/4-DB-7-O-K5-MINI

Peripherals

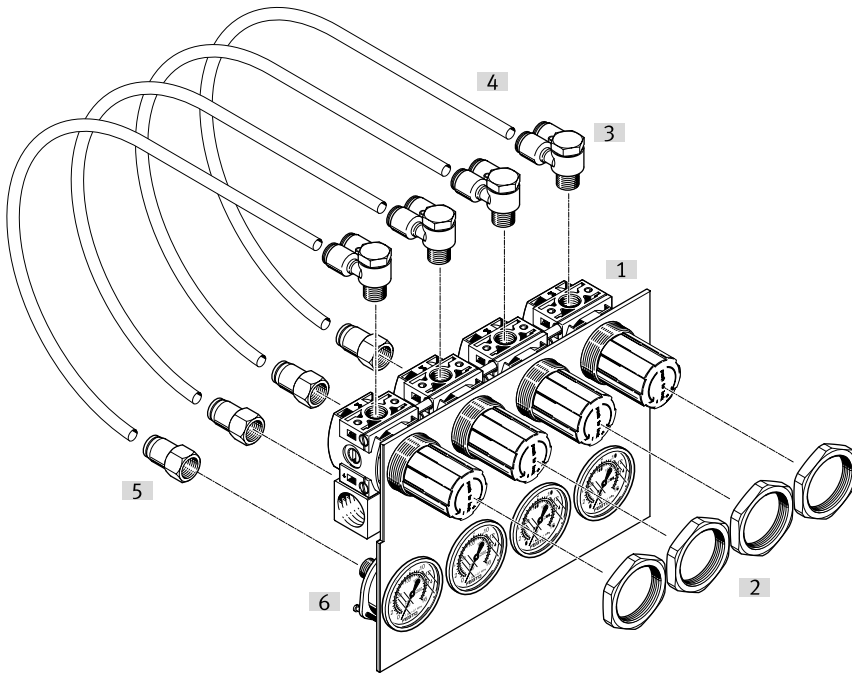
With mounting bracket



Accessories		→ Link
Type/order code	Description	
[1]	Pressure regulator valve manifolds LRB-DB-K	lrb-db-k
[2]	Mounting bracket-SET HRBS-DB-MINI	12
[3]	Push-in T-fitting QSTF	12
[4]	Pressure gauge MA	12
[5]	Mounting bracket HR-D	12
[6]	Hex nut HMR	13

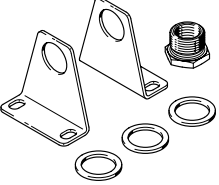
Peripherals

Front panel mounting

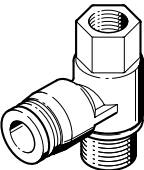


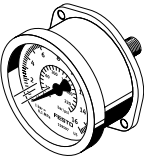
Accessories		→ Link
Type/order code	Description	
[1]	Pressure regulator valve manifolds LRB-DB-K	lrb-db-k
[2]	Hex nut HMR	13
[3]	Push-in Y-fitting QSYLV	13
[4]	Plastic tubing PEN	pen
[5]	Push-in fitting QSF	13
	Flanged pressure gauge FMA	13

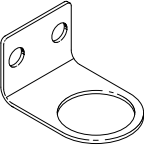
Accessories

Mounting bracket-SET HRBS-DB-MINI						
	Pneumatic connection, port 1	Corrosion resistance class CRC ¹⁾	LABS (PWIS) conformity	Product weight	Part no.	Type
	G3/8	2 - Moderate corrosion stress	VDMA24364-B1/B2-L	150 g	540791	HRBS-DB-MINI

1) More information: www.festo.com/x/topic/kbk

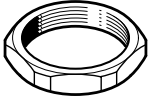
Push-in T-fitting QSTF, rotatable 360°, with female and male threads						
	Pneumatic connection, port 1	Pneumatic connection, port 2	Product weight	Part no.	Type	
	Male thread G1/4	Female thread G1/4, For tubing outside diameter of 8 mm	44 g	186203	QSTF-G1/4-8	

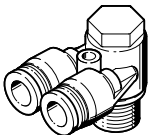
Pressure gauge MA							
	Nominal size of pressure gauge	Pneumatic connection	Scale	Product weight	Part no.	Type	
	40	G1/8	Double scale, Bar (outside scale), psi (inner scale)	60 g	345395	MA-40-16-1/8	
			Single scale, MPa (outer scale)		359874	MA-40-10-1/8	
		G1/4	Double scale, psi (inner scale), Bar (outside scale)	80 g	192733	MA-40-1,6-G1/8-MPA	
			Double scale, Bar (outside scale), psi (inner scale)		192732	MA-40-1-G1/8-MPA	
		50	R1/8	Double scale, psi (inner scale), Bar (outside scale)	70 g	159596	FMA-40-10-1/4-EN
						183900	MA-40-10-G1/4-EN
	G1/4		Double scale, psi (inner scale), Bar (outside scale)	80 g	159597	FMA-40-16-1/4-EN	
				60 g	162835	MA-40-10-1/8-EN	
	G1/4		Double scale, psi (inner scale), Bar (outside scale)	70 g	356759	MA-50-16-1/4	
				100 g	359873	MA-50-10-1/4	
	Single scale, MPa (outer scale)	70 g	159600	FMA-50-16-1/4-EN			
			159599	FMA-50-10-1/4-EN			
192734	MA-50-1-G1/4-MPA						
192735	MA-50-1,6-G1/4-MPA						

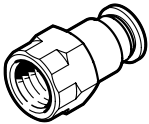
Mounting bracket HR-D					
	Corrosion resistance class CRC ¹⁾	LABS (PWIS) conformity	Part no.	Type	
	1 - Low corrosion stress	VDMA24364-B1/B2-L	164936	HR-D-MINI	

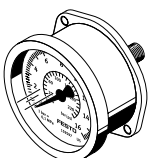
1) More information: www.festo.com/x/topic/kbk

Accessories

Hex nut HMR					
	LABS (PWIS) conformity	Part no.	Type		
	VDMA24364-B1/B2-L	530025	HMR-D-MINI/MAXI		

Push-in Y-fitting QSYLV, rotatable 360°, male thread with external hex					
	Pneumatic connection, port 1	Pneumatic connection, port 2	Product weight	Part no.	Type
	Male thread G1/4	For tubing outside diameter of 8 mm	48 g	186210	QSYLV-G1/4-8

Push-in fitting QSF, female thread with external hex					
	Pneumatic connection, port 1	Pneumatic connection, port 2	Product weight	Part no.	Type
	Female thread G1/4	For tubing outside diameter of 8 mm	24 g	★ 153026	QSF-1/4-8-B

Flanged pressure gauge FMA						
	Nominal size of pressure gauge	Pneumatic connection	Scale	Product weight	Part no.	Type
	40	G1/4	Double scale, psi (inner scale), Bar (outside scale)	80 g	159596	FMA-40-10-1/4-EN
			Double scale, Bar (outside scale), psi (inner scale)	100 g	159597	FMA-40-16-1/4-EN
	50		159600	FMA-50-16-1/4-EN		
			159599	FMA-50-10-1/4-EN		