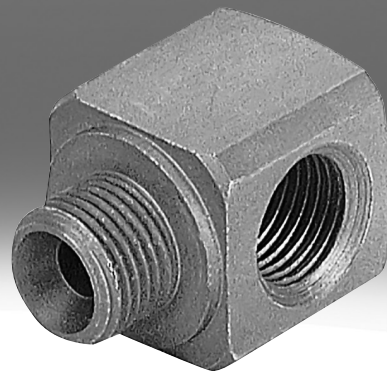


**Elbow G**

**FESTO**



## Characteristics

### At a glance

- Elbow
- With sealing ring
- Aluminium

## Datasheet

**General technical data**

Pneumatic connection, port 1	M5	G1/8	G1/4	G3/8
Pneumatic connection, port 2	M5	G1/8	G1/4	G3/8

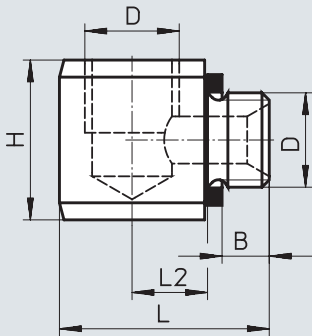
**Materials**

Note on materials	RoHS-compliant
LABS (PWIS) conformity	VDMA24364-B1/B2-L

## Dimensions


### Dimensions – Elbow G

Download CAD data → [www.festo.com](http://www.festo.com)



	B	D	H	L	L2
G-M5-A/I	3,5	M5	10	14,7	5,2
G-1/8-A/I	5	G1/8	16	22,8	8,3
G-1/4-A/I	6,5	G1/4	22	28,9	10,4
G-3/8-A/I	8,5	G3/8	27	32,9	11,4

## Ordering data

Ordering data					
	Short type code	Pneumatic connection, port 1	Pneumatic connection, port 2	Part no.	Type
	G	M5	M5	3558	G-M5-A/I
		G1/8	G1/8	3614	G-1/8-A/I
		G1/4	G1/4	3615	G-1/4-A/I
		G3/8	G3/8	3616	G-3/8-A/I