

# Adapter plate kit EHAM

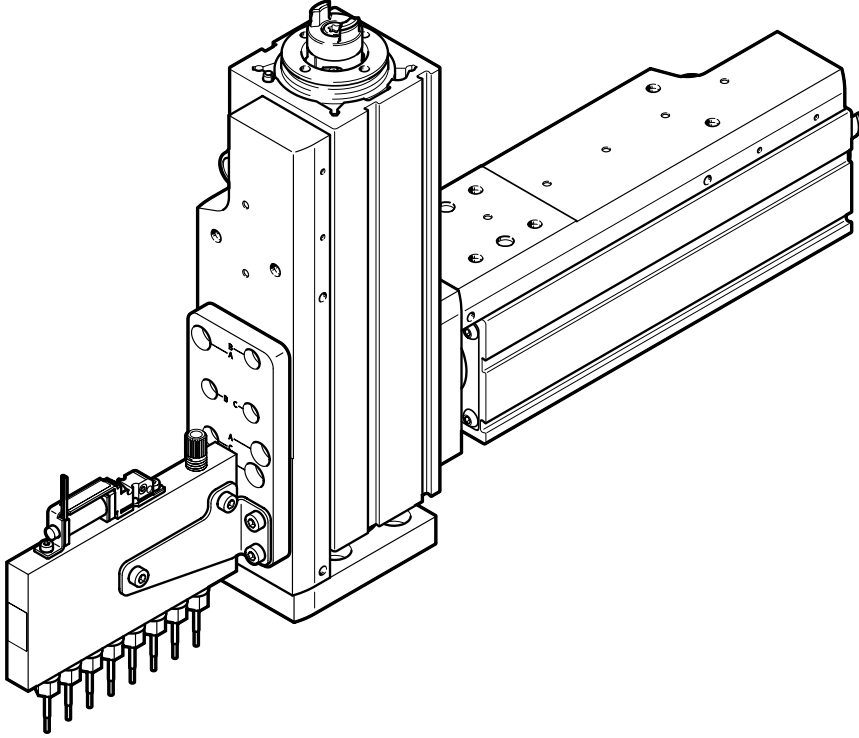


## Key features and datasheet

### At a glance

The adapter plate kits are used for mounting the dispense heads and dispense heads/valve control module VTOF, VTOE, VTOI and VAEM on the electric slides EGSC and EGSK.

Example: Combination of EGSC and VTOI



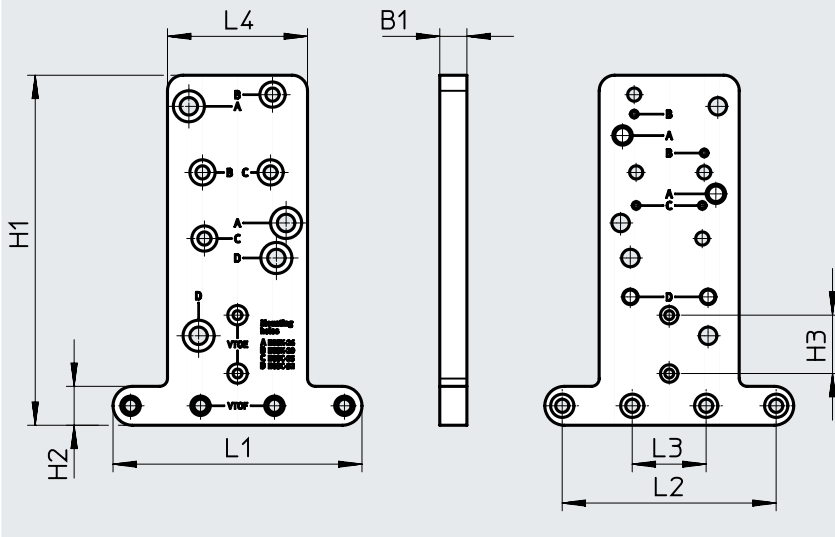
Dispense heads/valve control module	Electric slides			
	EGSK-20	EGSK-26	EGSC-25	EGSC-32
VTOF1-...	EHAM-MA-E19-25-C11	-	-	-
VTOF4-...	-	EHAM-MA-E19-25-C11	-	-
VTOF8-...	-	-	EHAM-MA-E19-25-C11	-
VTOF12-...	-	-	-	EHAM-MA-E19-25-C11
VTOE-...	-	-	-	EHAM-MA-E19-25-C11
VTOI-...	EHAM-MA-E19-25-C14			
VAEM-V-S8EPRS2	EHAM-MA-E19-25-V3			

Technical data				
Type		EHAM-MA-E19-25-C11	EHAM-MA-E19-25-C14	EHAM-MA-E19-25-V3
Design		Mounting kit		
Type of mounting		With through-hole and screw		
Mounting position		Vertical		
Ambient temperature	[°C]	-20 ... +80		
Corrosion resistance class CRC <sup>2)</sup>		2		
Product weight	[g]	71	72.3	135
Adapter plate material		Anodised aluminium		
Screws material		Steel		
Centring elements material		High-alloy steel		
Note on materials		RoHS-compliant		

Datasheet

Dimensions – EHAM-MA-E19-25-C11

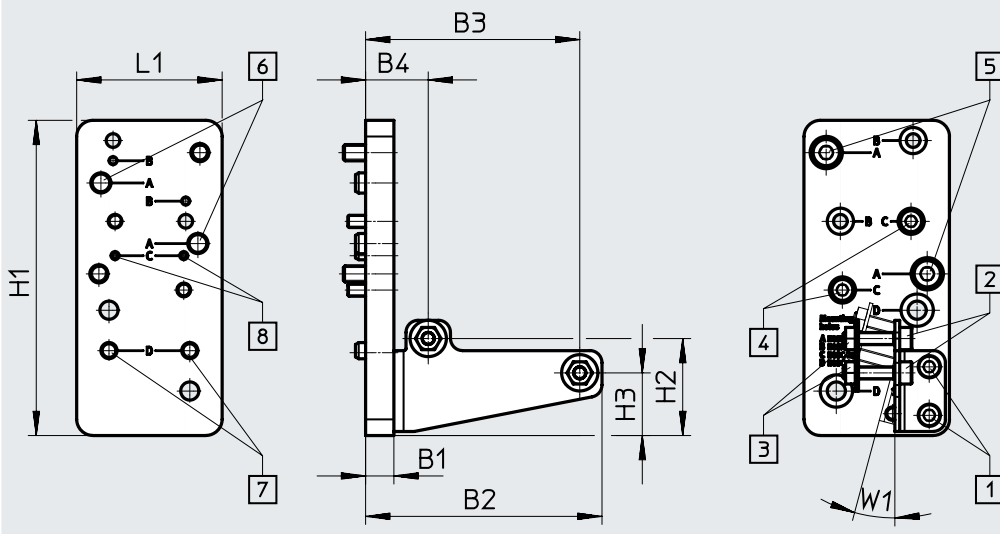
Download CAD data → [www.festo.com](http://www.festo.com)



Type	B1	H1	H2	H3	L1	L2	L3	L4
EHAM-MA-E19-25-C11	7	90	10	15	64	55	19	36

Dimensions – EHAM-MA-E19-25-C14

Download CAD data → [www.festo.com](http://www.festo.com)



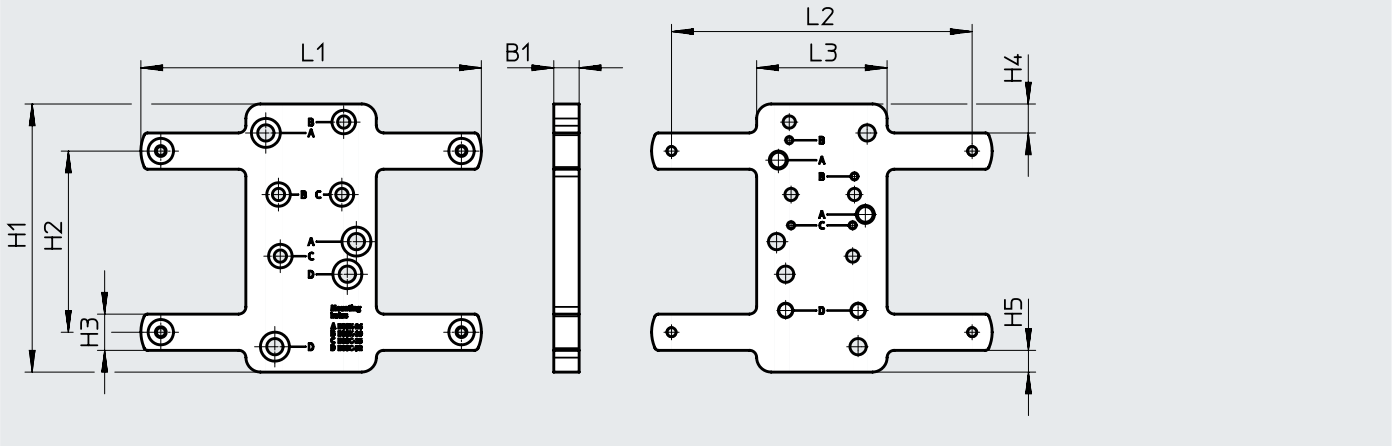
- [1] Socket head screw ISO 4762 M3x5-8.8
- [2] Socket head screw ISO 4762 M3x14-A2-70
- [3] Socket head screw ISO 4032 M3-A2-70
- [4] Socket head screw ISO 4762 M3x8-8.8
- [5] Socket head screw ISO 4762 M4x8-8.8
- [6] Centring pin ZBS-5
- [7] Centring pin ZBS-4
- [8] Centring pin ZBS-2

Type	B1	B2	B3	B4	H1	H2	H3	L1	W1
EHAM-MA-E19-25-C14	7	58.5	53	15.5	78	24	15.5	36	15°

Datasheet

Dimensions – EHAM-MA-E19-25-V3

Download CAD data → [www.festo.com](http://www.festo.com)



Type	B1	H1	H2	H3	H4	H5	L1	L2	L3
EHAM-MA-E19-25-V3	7	74	50	10	8	6	94	83	36

Ordering data

	Description	Part no.	Type
EHAM-MA-E19-25-C11	For VTOF and VTOE	8140774	EHAM-MA-E19-25-C11
EHAM-MA-E19-25-C14	For VTOI	8140775	EHAM-MA-E19-25-C14
EHAM-MA-E19-25-V3	For VAEM-V-S8EPRS2	8140776	EHAM-MA-E19-25-V3