

Check Valves

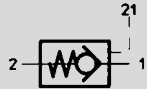
Piloted Check Valves, M5 to G 1/2 and 1/8" to 1/2" NPT

FESTO

Check Valve

piloted, with swivel joint and sealing ring
Type OL-...

Type HGL-...
HGL-...-NPT

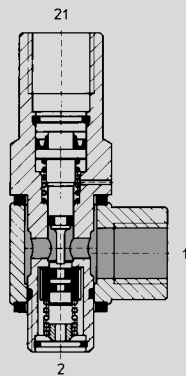
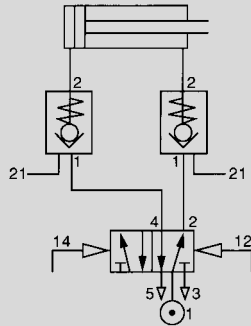


Check valves block the air flow in one direction and allow air to flow freely in the other direction.

These valves have a pilot connection which can open the valve in the blocked direction, when a pilot signal is applied.

These piloted check valves can be used to control cylinder movement, (refer to the example below).

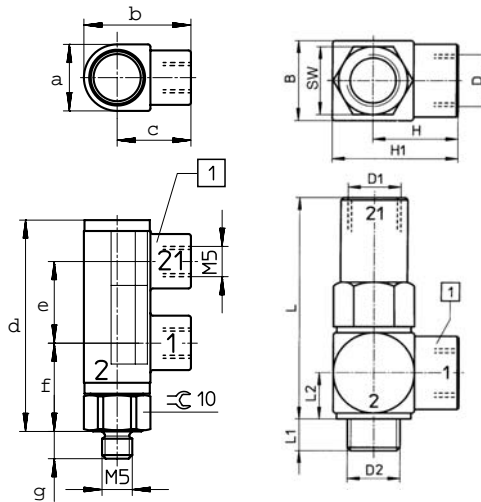
Example Circuit:



Type HGL-1/8 to 1/2

Type HGL-M5

Type HGL-1/8 to 1/2



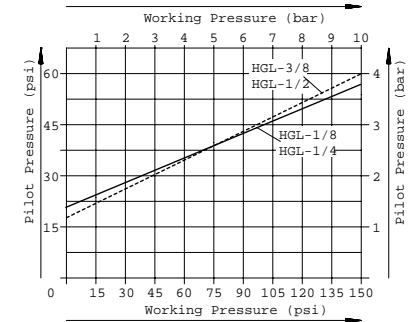
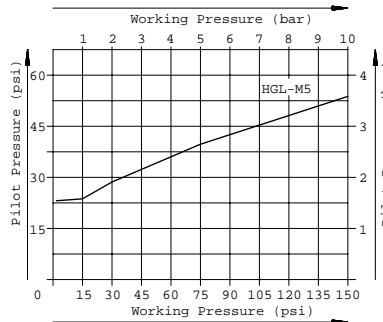
HGL-M5
Dimensions

- a 0.43 in / 11 mm
- b 0.70 in / 17.7 mm
- c 0.48 in / 12.2 mm
- d 1.36 in / 34.6 mm
- e 0.53 in / 13.5 mm
- f 0.57 in / 14.6 mm
- g 0.18 in / 4.5 mm

- Rotatable 360°
- Wrench size (mm)

Type	B in / mm	D1 thread	D2 thread	H in / mm	H1 in / mm
HGL-1/8	0.63 / 16.0	10-32 UNF / M5	1/8 NPT / G 1/8	0.61 / 15.5	0.93 / 23.5
HGL-1/4	0.79 / 20.0	1/8 NPT / G 1/8	1/4 NPT / G 1/4	0.83 / 21.0	1.22 / 31.0
HGL-3/8	0.98 / 25.0	1/8 NPT / G 1/8	3/8 NPT / G 3/8	0.94 / 24.0	1.44 / 36.5
HGL-1/2	1.18 / 30.0	1/8 NPT / G 1/8	1/2 NPT / G 1/2	1.14 / 29.0	1.73 / 44.0
Type	L in / mm	L1 in / mm	L2 in / mm	 mm	
HGL-1/8	1.81 / 46.0	0.22 / 5.5	0.35 / 9.0	14	
HGL-1/4	2.17 / 55.0	0.31 / 8.0	0.46 / 11.7	17	
HGL-3/8	2.34 / 59.5	0.37 / 9.5	0.55 / 14.0	22	
HGL-1/2	3.09 / 78.5	0.47 / 12.0	0.66 / 16.7	27	

Minimum response pressure as a function of operating pressure.



Order Number	Part No./Type	NPT	—				
		ISO	161779 HGL-M5	12938 HGL-1/8	12939 HGL-1/4	12940 HGL-3/8	12941 HGL-1/2
Medium	Filtered, lubricated or unlubricated compressed air						
Design	Non-Return Valve with rotatable body						
Mounting	Conduit Mounting (thread)						
Connection	M5	G 1/8	G 1/4	G 3/8	G 1/2		
Orifice Size	0.09 in / 2.4 mm	0.14 in / 3.5 mm	0.17 in / 4.2 mm	0.26 in / 6.7 mm	0.34 in / 8.6 mm		
Standard Nominal Flow Rate	0.11C _v / 110 l/min	0.26C _v / 260 l/min	0.54C _v / 540 l/min	0.90C _v / 900 l/min	1.54C _v / 1540 l/min		
Response Time (90 psi / 6 bar)	—	On: 5 ms, Off: 9 ms	On: 7 ms, Off: 13 ms	On: 8 ms, Off: 14 ms	On: 8 ms, Off: 17 ms		
Operating Pressure Range	7.5 to 150 psi / 0.5 to 10 bar	6 to 150 psi / 0.4 to 10 bar	4.5 to 150 psi / 0.3 to 10 bar	3 to 150 psi / 0.2 to 10 bar	3 to 150 psi / 0.2 to 10 bar		
Temperature Range	-4 to 176°F / -20 to +80°C (Type HGL-M5: 14 to 140°F / -10 to +60°C)						
Materials	Housing: Brass; Seals: Buna N						
Weight	0.445 lbs / 0.020 kg	0.053 lbs / 0.024 kg	0.095 lbs / 0.043 kg	0.172 lbs / 0.078 kg	0.326 lbs / 0.148 kg		

Festo - Your Partner in Automation



1 Festo Inc.
5300 Explorer Drive
Mississauga, ON L4W 5G4
Canada

Festo Customer Interaction Center
Tel: 1 877 463 3786
Fax: 1 877 393 3786
Email: customer.service.ca@festo.com



2 Festo Pneumatic
Av. Ceylán 3,
Col. Tequesquináhuac
54020 Tlalnepantla,
Estado de México

Multinational Contact Center
01 800 337 8669
ventas.mexico@festo.com



3 Festo Corporation
1377 Motor Parkway
Suite 310
Islandia, NY 11749

Festo Customer Interaction Center
1 800 993 3786
1 800 963 3786
customer.service.us@festo.com



4 Regional Service Center
7777 Columbia Road
Mason, OH 45040

Connect with us



www.festo.com/socialmedia



www.festo.com

Subject to change