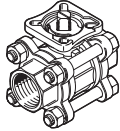
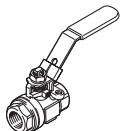
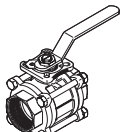
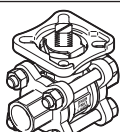
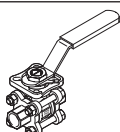


## Ball valves VZBE

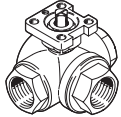
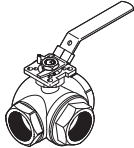
**FESTO**



Key features and product range overview

Design	Type	Process valve connection	Nominal width DN	Flange hole pattern to ISO 5211	Process valve nominal pressure PN	→ Page/Internet
Stainless steel 	<b>2-way, with pipe thread to ASME B1.20.1</b>					
	VZBE	1/4 NPT	8	F0304	63	5
		3/8 NPT	10	F0304		
		1/2 NPT	15	F0304		
		3/4 NPT	20	F0304		
		1 NPT	25	F0405		
		1 1/4 NPT	32	F0405		
		1 1/2 NPT	40	F0507		
		2 NPT	50	F0507		
		2 1/2 NPT	65	F0710		
3 NPT		80	F0710			
4 NPT	100	F1012				
	<b>2-way, 2-part, with hand lever and pipe thread to ASME B1.20.1</b>					
	VZBE	1/4 NPT	8	–	63	10
		3/8 NPT	10			
		1/2 NPT	15			
		3/4 NPT	20			
		1 NPT	25			
		1 1/4 NPT	32			
		1 1/2 NPT	40			
		2 NPT	50			
		2 1/2 NPT	65			
3 NPT		80				
	<b>2-way, 3-part, with hand lever and pipe thread to ASME B1.20.1</b>					
	VZBE	1/4 NPT	8	F0304	63	10
		3/8 NPT	10	F0304		
		1/2 NPT	15	F0304		
		3/4 NPT	20	F0304		
		1 NPT	25	F0405		
		1 1/4 NPT	32	F0405		
		1 1/2 NPT	40	F0507		
		2 NPT	50	F0507		
		2 1/2 NPT	65	F0710		
3 NPT		80	F0710			
4 NPT	100	F1012				
	<b>2-way, with weld-on end to ASME B16.11</b>					
	VZBE	–	8	F03F04	63	14
			10	F03F04		
			15	F03F04		
			20	F03F04		
			25	F04F05		
			32	F04F05		
			40	F05F07		
			50	F05F07		
			65	F07F10		
		80	F07F10			
	100	F10F12				
	<b>2-way, with hand lever and weld-on end to ASME B16.11</b>					
	VZBE	–	8	F03F04	63	17
			10	F03F04		
			15	F03F04		
			20	F03F04		
			25	F04F05		
			32	F04F05		
			40	F05F07		
			50	F05F07		
			65	F07F10		
		80	F07F10			
	100	F10F12				

### Key features and product range overview

Design	Type	Process valve connection	Nominal width DN	Flange hole pattern to ISO 5211	Process valve nominal pressure PN	→ Page/Internet	
Stainless steel	<b>3-way, with pipe thread to ASME B1.20.1</b>						
		VZBE	1/4 NPT	8	F04	63	20
			3/8 NPT	10	F04		
			1/2 NPT	15	F04		
			3/4 NPT	20	F04		
			1 NPT	25	F05		
			1 1/4 NPT	32	F05		
			1 1/2 NPT	40	F0507		
			2 NPT	50	F0507		
	<b>3-way, with hand lever and pipe thread to ASME B1.20.1</b>						
		VZBE	1/4 NPT	8	F04	63	25
			3/8 NPT	10	F04		
			1/2 NPT	15	F04		
			3/4 NPT	20	F04		
			1 NPT	25	F05		
1 1/4 NPT			32	F05			
1 1/2 NPT			40	F0507			
2 NPT			50	F0507			

## Type codes

001	Series
VZBE	Ball valve

002	Nominal diameter DN
1/4	1/4"
3/8	3/8"
1/2	1/2"
3/4	3/4"
1	1"
1 1/4	1 1/4"
1 1/2	1 1/2"
2	2"
2 1/2	2 1/2"
3	3"
4	4"

003	Process valve connection
T	NPT female thread
WA	Welding socket

004	Nominal pressure
63	63

005	Design type
D	Two-part
T	Three-part
F	Four-part

006	Valve function
2	2/2-way
3L	3/2-way, L-bore
3T	3/2-way, T-bore

007	Flanged connection
	Standard
F0304	Hole pattern 03 and 04
F04	Hole pattern 04
F0405	Hole pattern 04 and 05
F05	Hole pattern 05
F0507	Hole pattern 05 and 07
F0710	Hole pattern 07 and 10
F1012	Hole pattern 10 and 12

008	Actuation type
	Via drive
M	With hand lever

009	Housing material
V15	Stainless steel ASTM A351-CF8M

010	Shut-off element material
V15	Stainless steel ASTM A351-CF8M
V16	Stainless steel ASTM A240-316/1.4401

## Data sheet

Function



- 2-way ball valve made from stainless steel
- Process valve pipe thread connection to ASME B1.20.1



- - Connecting thread  
1/4 NPT ... 4 NPT
- - Flow rate  
19 ... 1637 m<sup>3</sup>/h

General technical data												
Process valve connection		1/4 NPT	3/8 NPT	1/2 NPT	3/4 NPT	1 NPT	1 1/4 NPT	1 1/2 NPT	2 NPT	2 1/2 NPT	3 NPT	4 NPT
Nominal width DN		8	10	15	20	25	32	40	50	65	80	100
Valve function		2/2										
Design		2-way ball valve										
Sealing principle		Soft										
Type of actuation		Mechanical										
Switching position indication		Slot direction = flow direction										
Flow direction		Reversible										
Type of mounting		In-line installation										
Mounting position		Any										
Based on standard		ISO 5211 ASME B1.20.1										
Breakaway torque at differential pressure nominal pressure for process valve PN	[Nm]	7	7	7	9	15	23	30	44	79	103	138
Internal ø	[mm]	11.6	12.5	15	20	25	32	38	50	63	76	96
Flow rate Kv	[m <sup>3</sup> /h]	19	22	32	59	94	160	247	420	684	995	1637

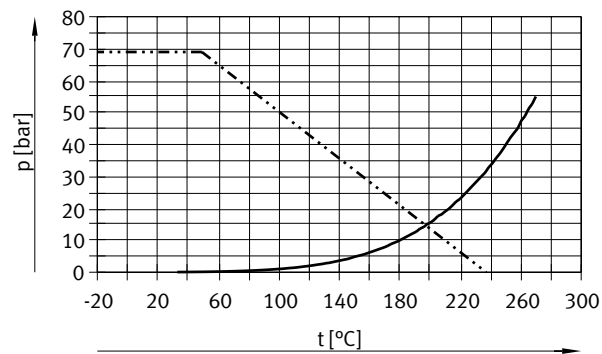
Operating and environmental conditions													
Process valve connection		1/4 NPT	3/8 NPT	1/2 NPT	3/4 NPT	1 NPT	1 1/4 NPT	1 1/2 NPT	2 NPT	2 1/2 NPT	3 NPT	4 NPT	
Nominal pressure of process valve PN		63											
Temperature of medium	[°C]	-20 ... +200											
Medium		Compressed air to ISO 8573-1:2010 [:-:-] Inert gases Water – no water vapour Neutral fluids											
Certification		CRN											
Corrosion resistance class CRC <sup>1)</sup>		4											
CE marking (see declaration of conformity) <sup>2)</sup>		-						To EU Pressure Equipment Directive					

- 1) Corrosion resistance class CRC 4 to Festo standard FN 940070  
Particularly high corrosion stress. Outdoor exposure under extreme corrosive conditions. Parts exposed to aggressive media, e.g. in the chemical or food industries. Such applications may need to be safeguarded by means of special testing (→ also FN 940082), using appropriate media.
- 2) Additional information is available at [www.festo.com/sp](http://www.festo.com/sp) → Certificates.

Data sheet

Materials		Material number
Housing	Stainless steel casting	1.4408
Ball	1/4 NPT ... 2 NPT	1.4408
	2 1/2 NPT ... 4 NPT	1.4401
Shaft	High-alloy stainless steel	1.4401
Seat seal	PTFE	
Seals	FPM	
	PTFE	
Note on materials	RoHS-compliant	
	Contains paint-wetting impairment substances	

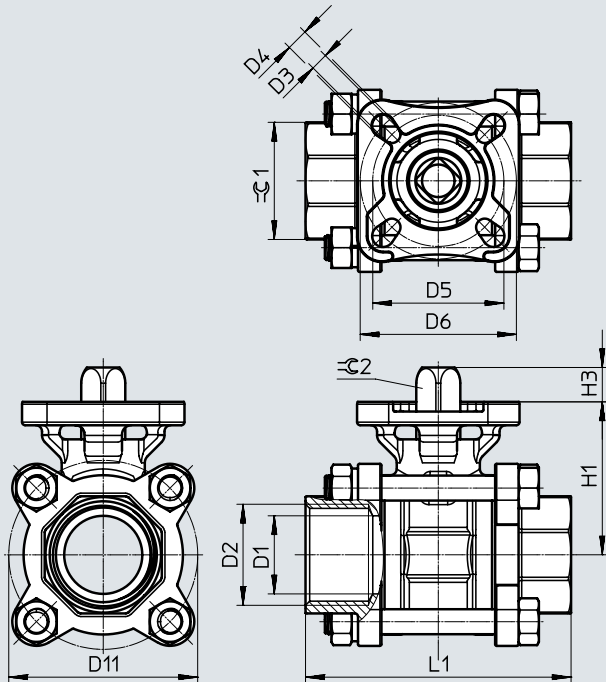
Permissible operating pressure p as a function of the temperature of the medium t



———— Saturated water vapour  
 - - - - - PTFE

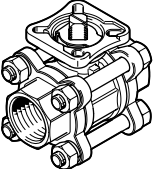
## Data sheet

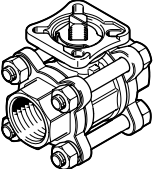
## Dimensions

Download CAD data → [www.festo.com](http://www.festo.com)

Type	D1 ø	D2	D3 ø	D4 ø	D5 ø	D6 ø	D11 ø	H1	H3	L1	≙C1	≙C2
VZBE-1/4-...	11.6	1/4 NPT	5.5	5.5	36	42	38	35.3	7.5	65	19.2	9
VZBE-3/8-...	12.5	3/8 NPT	5.5	5.5	36	42	38	35.3	7.5	65	22.5	9
VZBE-1/2-...	15	1/2 NPT	5.5	5.5	36	42	44	36.4	7.1	65	26	9
VZBE-3/4-...	20	3/4 NPT	5.5	5.5	36	42	52	39.5	7.3	75	32	9
VZBE-1-...	25	1 NPT	5.5	7	42	50	60.5	49	11	85	37.5	11
VZBE-1 1/4-...	32	1 1/4 NPT	5.5	7	42	50	74	54.2	11.5	101	48	11
VZBE-1 1/2-...	38	1 1/2 NPT	7	9	50	70	86	64.6	12.4	112	55	14
VZBE-2-...	50	2 NPT	7	9	50	70	102.5	72.5	13.6	130	67	14
VZBE-2 1/2-...	63	2 1/2 NPT	9	11	70	102	129	92	16.3	162	85	17
VZBE-3-...	76	3 NPT	9	11	70	102	146.5	100	16.3	188	100	17
VZBE-4-...	96	4 NPT	11	13	102	125	186.4	130	20.5	224	130	22

Data sheet

Ordering data	Process valve connection	Weight [g]	Part no.	Type
	1/2 NPT	560	4809117 <sup>1)</sup>	VZBE-1/2-T-63-T-2-F0304-V15V15
	3/4 NPT	660	4809118 <sup>1)</sup>	VZBE-3/4-T-63-T-2-F0304-V15V15
	1 NPT	1000	4809119 <sup>1)</sup>	VZBE-1-T-63-T-2-F0405-V15V15
	1 1/2 NPT	2420	4809121 <sup>1)</sup>	VZBE-1 1/2-T-63-T-2-F0507-V15V15
	2 NPT	3520	4809122 <sup>1)</sup>	VZBE-2-T-63-T-2-F0507-V15V15

Ordering data	Process valve connection	Weight [g]	Part no.	Type
	1/4 NPT	460	4836917 <sup>1)</sup>	VZBE-1/4-T-63-T-2-F0304-V15V15
	3/8 NPT	460	4836918 <sup>1)</sup>	VZBE-3/8-T-63-T-2-F0304-V15V15
	1 1/4 NPT	1600	4809120 <sup>1)</sup>	VZBE-1 1/4-T-63-T-2-F0405-V15V15
	2 1/2 NPT	5050	4809123 <sup>1)</sup>	VZBE-2 1/2-T-63-T-2-F0710-V15V16
	3 NPT	7750	4809124 <sup>1)</sup>	VZBE-3-T-63-T-2-F0710-V15V16
	4 NPT	15800	4809126 <sup>1)</sup>	VZBE-4-T-63-T-2-F1012-V15V16

1) Festo is only a retailer of this product, not the manufacturer.

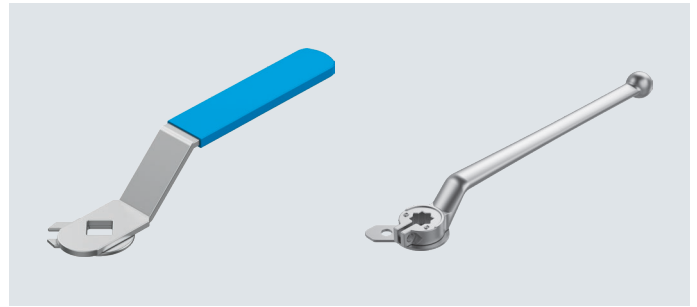




## Accessories

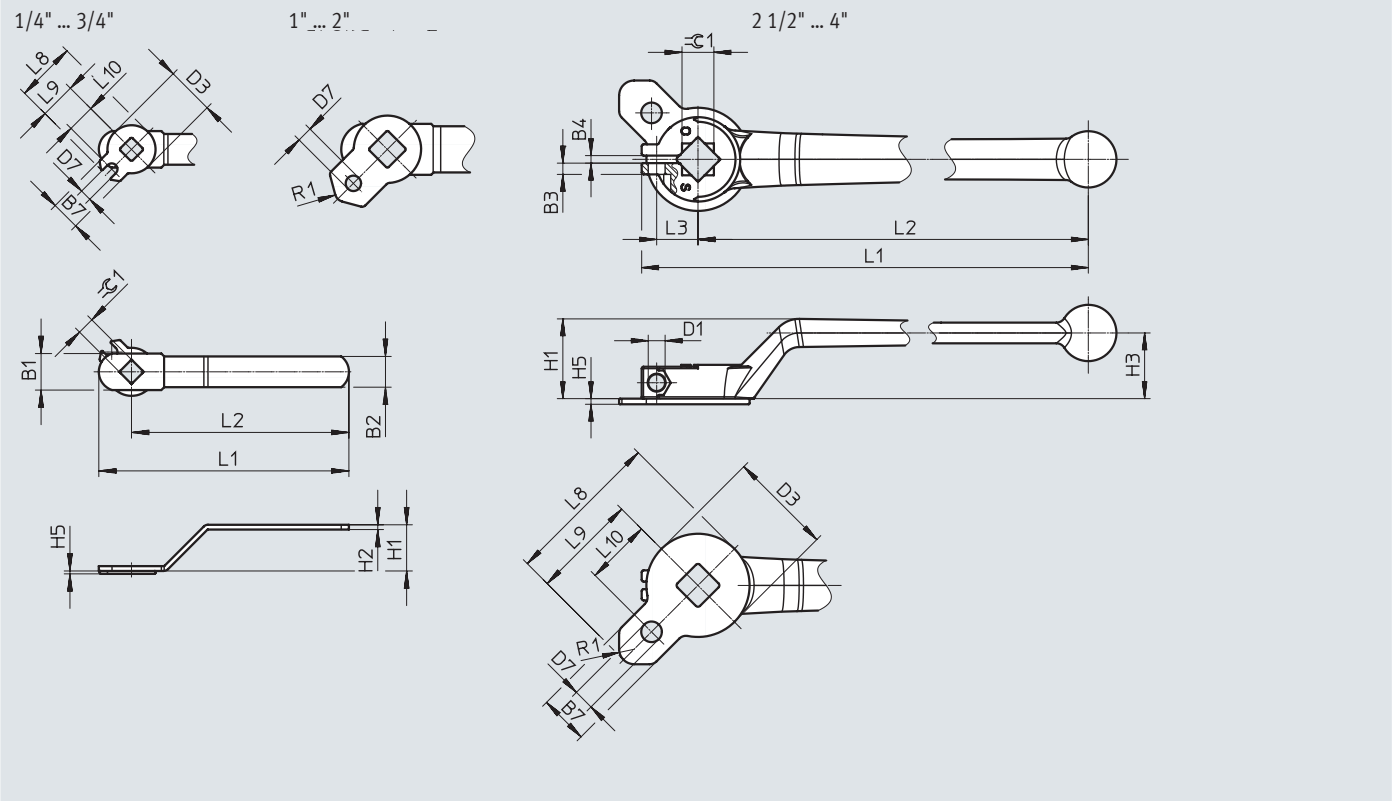
### Hand lever VAOH

- High-alloy stainless steel
- Free of copper and PTFE
- RoHS-compliant
- Contains paint-wetting impairment substances
- Lockable



### Dimensions and ordering data

Download CAD data → [www.festo.com](http://www.festo.com)



### Dimensions and ordering data

For connection	B1	B2	B3	B4	B7	D1 ∅	D3 ∅	D7 ∅	H1	H2	H3	H5	L1
1/4" ... 3/4"	19	16	–	–	15.8	–	25	6	24	2.5	–	1.5	130
1" ... 1 1/4"	22.5	20	–	–	17.8	–	29	7	26	4	–	1.8	160
1 1/2" ... 2"	26.5	24	–	–	26	–	35	8	34.5	5	–	2	194
2 1/2" ... 3"	–	–	6	4	27.5	9	55	11	42.5	–	35	3	355
4"	–	–	6	4	27.5	9	70	12	42.5	–	38	3	355

For connection	L2	L3	L8	L9	L10	R1	≠G1 ±0.5	CRC <sup>2)</sup>	Weight [g]	Part no.	Type
1/4" ... 3/4"	113	–	33.5	21.1	18	–	9	3	40	4895383 <sup>1)</sup>	VAOH-F7-9-H9-A-22
1" ... 1 1/4"	138.5	–	41.5	27	21	6	11	3	100	4895384 <sup>1)</sup>	VAOH-F7-11-H9-A-22
1 1/2" ... 2"	170	–	54	36.5	25	5	14	3	180	4895385 <sup>1)</sup>	VAOH-F7-14-H9-A-22
2 1/2" ... 3"	325	22	83.6	56.1	35	8	17	3	850	4895386 <sup>1)</sup>	VAOH-F7-17-H9-A-22
4"	325	22	102.7	67.7	51	7	22	3	900	4895387 <sup>1)</sup>	VAOH-F7-22-H9-A-22

1) Festo is only a retailer of this product, not the manufacturer.

2) Corrosion resistance class CRC 3 to Festo standard FN 940070

High corrosion stress. Outdoor exposure under moderate corrosive conditions. Externally visible parts with primarily functional surface requirements which are in direct contact with a normal industrial environment.

# Ball valves VZBE, 2-way, with hand lever and pipe thread

## Data sheet



- Connecting thread  
1/4 NPT ... 4 NPT
- Flow rate  
19 ... 995 m<sup>3</sup>/h

- 2-way ball valve made from stainless steel
- Process valve pipe thread connection to ASME B1.20.1
- With hand lever



### General technical data

Process valve connection	1/4 NPT	3/8 NPT	1/2 NPT	3/4 NPT	1 NPT	1 1/4 NPT	1 1/2 NPT	2 NPT	2 1/2 NPT	3 NPT	4 NPT
<b>Nominal width DN</b>											
Two-part	8	10	15	20	25	32	40	50	65	80	–
Three-part	8	10	15	20	25	32	40	50	65	80	100
Valve function	2/2										
Design	2-way ball valve with hand lever										
Sealing principle	Soft										
Type of actuation	Mechanical										
Switching position indication	Slot direction = flow direction										
Flow direction	Reversible										
Type of mounting	In-line installation										
Mounting position	Any										
Based on standard	ASME B1.20.1										
Three-part also on	ISO 5211										
<b>Internal ø</b>											
Two-part [mm]	11.6	12.5	15	20	25	32	38	50	63	76	–
Three-part [mm]	11.6	12.5	15	20	25	32	38	50	63	76	96
<b>Breakaway torque at differential pressure nominal pressure for process valve PN</b>											
Two-part [Nm]	3.5	4	5.5	7.5	11	15	20	40	60	85	–
Three-part [Nm]	7	7	7	9	15	18	25	35	55	70	90
Flow rate Kv [m <sup>3</sup> /h]	19	22	32	59	94	160	232	420	684	995	–

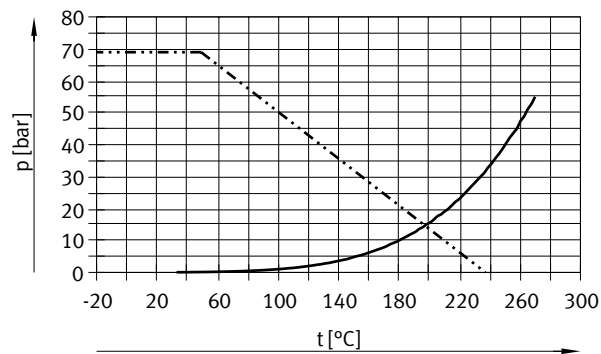
### Operating and environmental conditions

Process valve connection	1/4 NPT	3/8 NPT	1/2 NPT	3/4 NPT	1 NPT	1 1/4 NPT	1 1/2 NPT	2 NPT	2 1/2 NPT	3 NPT	4 NPT
Medium <sup>1)</sup>	Vapour Compressed air to ISO 8573-1:2010 [:-:-] Inert gases Water Neutral fluids										
Nominal pressure of process valve PN	63										
Temperature of medium [°C]	–20 ... +200										
Certification	CRN										
<b>Corrosion resistance class CRC<sup>2)3)</sup></b>											
Two-part	3										
Three-part	4										
CE marking (see declaration of conformity) → www.festo.com	–					To EU Pressure Equipment Directive					

1) Other flow media on request  
 2) Corrosion resistance class CRC 3 to Festo standard FN 940070  
 High corrosion stress. Outdoor exposure under moderate corrosive conditions. Externally visible parts with primarily functional surface requirements which are in direct contact with a normal industrial environment.  
 3) Corrosion resistance class CRC 4 to Festo standard FN 940070  
 Particularly high corrosion stress. Outdoor exposure under extreme corrosive conditions. Parts exposed to aggressive media, e.g. in the chemical or food industries. Such applications may need to be safeguarded by means of special testing (→ also FN 940082), using appropriate media.

## Data sheet

Materials		Material number
Housing	Stainless steel casting	1.4408
Ball		
1/4 NPT ... 2 NPT	Stainless-steel casting	1.4408
2 1/2 NPT ... 4 NPT	High-alloy stainless steel	1.4401
Shaft	High-alloy stainless steel	1.4401
Seat seal		
Two-part	PTFE	
Three-part	PTFE, modified	
Seals	PTFE	
Note on materials		RoHS-compliant
		Contains paint-wetting impairment substances

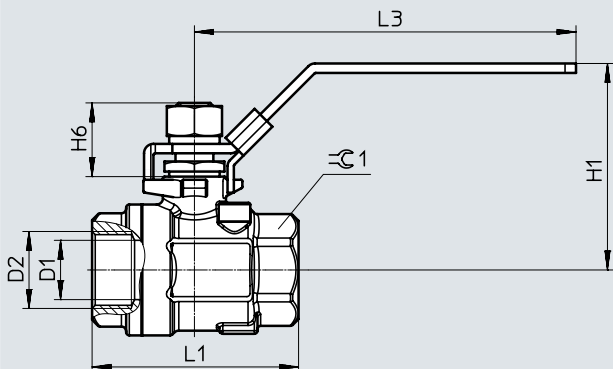
Permissible operating pressure  $p$  as a function of the temperature of the medium  $t$ 

———— Saturated water vapour  
 - - - - - PTFE

Data sheet

Dimensions

Download CAD data → [www.festo.com](http://www.festo.com)



Type	D1 ø	D2	H1	H6	L1 ±2	L3	⊕C1
VZBE-1/4-...	11.6	1/4 NPT	58.5	18.5	50.8	99.5	19
VZBE-3/8-...	12.5	3/8 NPT	58.5	18.5	50.8	99.5	22.5
VZBE-1/2-...	15	1/2 NPT	60.5	18.8	58	99.5	26
VZBE-3/4-...	20	3/4 NPT	63	23.4	65.6	123	32
VZBE-1-...	25	1 NPT	79.5	26.2	78.7	149	38
VZBE-1 1/4-...	32	1 1/4 NPT	86	23.6	90	149	48
VZBE-1 1/2-...	38	1 1/2 NPT	101.7	28.2	105	190	54.8
VZBE-2-...	50	2 NPT	109.3	28.2	124	190	67
VZBE-2 1/2-...	63	2 1/2 NPT	140	39.4	146	247	85
VZBE-3-...	76	3 NPT	148.5	39.4	163.2	247	100

Ordering data

	Process valve connection	Weight [g]	Part no.	Type
	1/2 NPT	300	4745216 <sup>1)</sup>	VZBE-1/2-T-63-D-2-M-V15V15
	3/4 NPT	500	4745218 <sup>1)</sup>	VZBE-3/4-T-63-D-2-M-V15V15
	1 NPT	800	4745219 <sup>1)</sup>	VZBE-1-T-63-D-2-M-V15V15
	1 1/2 NPT	1800	4745221 <sup>1)</sup>	VZBE-1 1/2-T-63-D-2-M-V15V15
	2 NPT	2700	4745223 <sup>1)</sup>	VZBE-2-T-63-D-2-M-V15V15

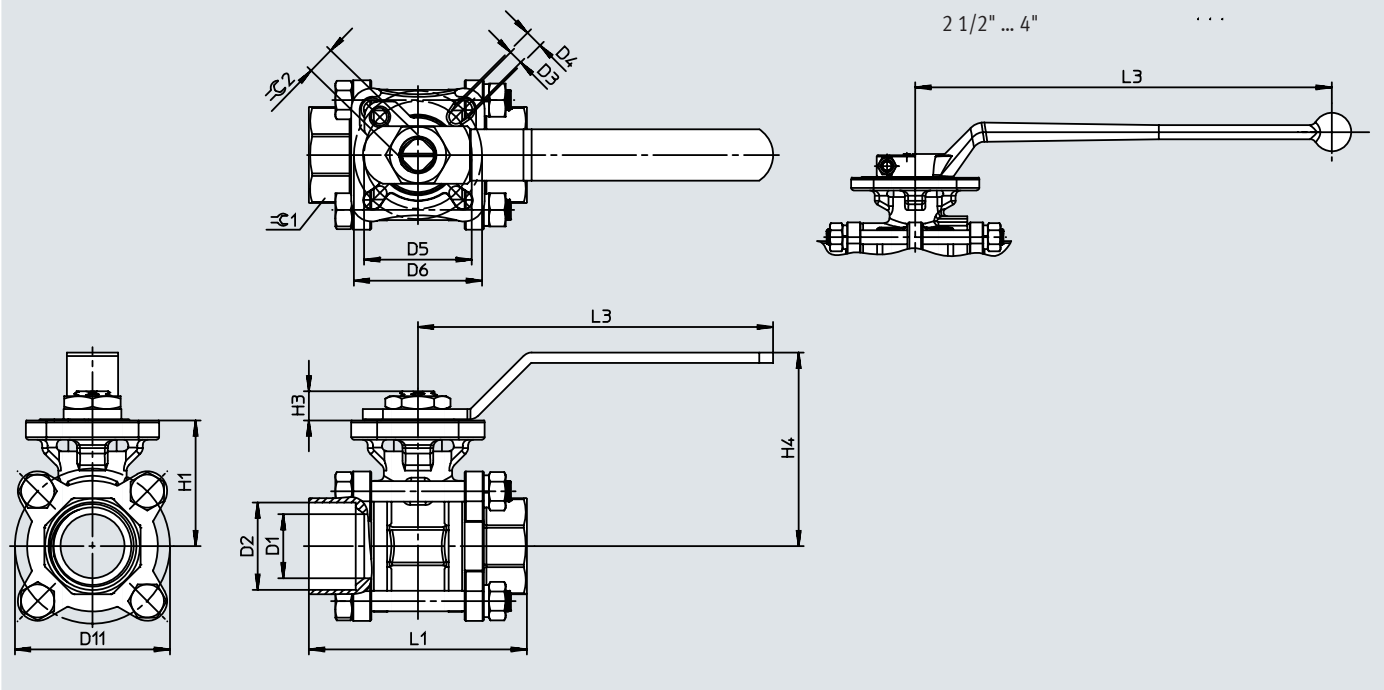
Ordering data

	Process valve connection	Weight [g]	Part no.	Type
	1/4 NPT	200	4745214 <sup>1)</sup>	VZBE-1/4-T-63-D-2-M-V15V15
	3/8 NPT	200	4745215 <sup>1)</sup>	VZBE-3/8-T-63-D-2-M-V15V15
	1 1/4 NPT	1100	4745220 <sup>1)</sup>	VZBE-1 1/4-T-63-D-2-M-V15V15
	2 1/2 NPT	5600	4745224 <sup>1)</sup>	VZBE-2 1/2-T-63-D-2-M-V15V16
	3 NPT	7500	4745225 <sup>1)</sup>	VZBE-3-T-63-D-2-M-V15V16

1) Festo is only a retailer of this product, not the manufacturer.

## Data sheet

## Dimensions

 Download CAD data → [www.festo.com](http://www.festo.com)


Type	D1 ∅	D2	D3 ∅	D4 ∅	D5 ∅	D6 ∅	D11 ∅	H1	H3	H4	L1	L3	⊖G1	⊖G2
VZBE-1/4-...	11.6	1/4 NPT	5.5	5.5	36	42	38	35.3	7.5	61	65	114.5	19.2	9
VZBE-3/8-...	12.5	3/8 NPT	5.5	5.5	36	42	38	35.3	7.5	61	65	114.5	22.5	9
VZBE-1/2-...	15	1/2 NPT	5.5	5.5	36	42	44	36.4	7.1	62.7	65	114.5	26	9
VZBE-3/4-...	20	3/4 NPT	5.5	5.5	36	42	52	39.5	7.3	65.1	75	114.5	32	9
VZBE-1-...	25	1 NPT	5.5	7	42	50	60.5	49	11	76.5	85	140	37.5	11
VZBE-1 1/4-...	32	1 1/4 NPT	5.5	7	42	50	74	54.2	11.5	82	101	140	48	11
VZBE-1 1/2-...	38	1 1/2 NPT	7	9	50	70	86	64.6	12.4	102	112	172	55	14
VZBE-2-...	50	2 NPT	7	9	50	70	102	72.5	13.6	110.1	130	172	67	14
VZBE-2 1/2-...	63	2 1/2 NPT	9	11	70	102	129	92	16.3	127.3	162	325	85	17
VZBE-3-...	76	3 NPT	9	11	70	102	146.5	100	16.3	136.3	188	325	100	17
VZBE-4-...	96	4 NPT	11	13	102	125	186.4	130	20.5	168	224	325	130	22

## Ordering data

	Process valve connection	Weight [g]	Part no.	Type
	1/4 NPT	500	8096663 <sup>1)</sup>	VZBE-1/4-T-63-T-2-F0304-M-V15V15
	3/8 NPT	500	8096664 <sup>1)</sup>	VZBE-3/8-T-63-T-2-F0304-M-V15V15
	1/2 NPT	600	8096665 <sup>1)</sup>	VZBE-1/2-T-63-T-2-F0304-M-V15V15
	3/4 NPT	700	8096666 <sup>1)</sup>	VZBE-3/4-T-63-T-2-F0304-M-V15V15
	1 NPT	1100	8096667 <sup>1)</sup>	VZBE-1-T-63-T-2-F0405-M-V15V15
	1 1/4 NPT	1700	8096668 <sup>1)</sup>	VZBE-11/4-T-63-T-2-F0405-M-V15V15
	1 1/2 NPT	2600	8096669 <sup>1)</sup>	VZBE-11/2-T-63-T-2-F0507-M-V15V15
	2 NPT	3700	8096670 <sup>1)</sup>	VZBE-2-T-63-T-2-F0507-M-V15V15
	2 1/2 NPT	5900	8096671 <sup>1)</sup>	VZBE-21/2-T-63-T-2-F0710-M-V15V16
3 NPT	8600	8096672 <sup>1)</sup>	VZBE-3-T-63-T-2-F0710-M-V15V16	
4 NPT	16700	8096673 <sup>1)</sup>	VZBE-4-T-63-T-2-F1012-M-V15V16	

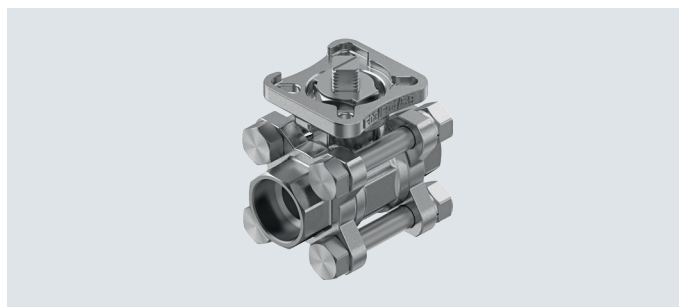
1) Festo is only a retailer of this product, not the manufacturer.

# Ball valves VZBE, 2-way, with weld-on end

## Data sheet



- 2-way ball valve
- Process valve, weld-on end connection to ASME B16.11



- - Nominal width DN  
8 ... 100
- - Flow rate  
19 ... 1637 m<sup>3</sup>/h

General technical data											
Nominal width DN	8	10	15	20	25	32	40	50	65	80	100
Valve function	2/2										
Design	2-way ball valve										
Sealing principle	Soft										
Type of actuation	Mechanical										
Switching position indication	Slot direction = flow direction										
Flow direction	Reversible										
Type of mounting	In-line installation										
Mounting position	Any										
Based on standard	ASME B16.11 ISO 5211										
Flange hole pattern	F03F04	F03F04	F03F04	F03F04	F04F05	F04F05	F05F07	F05F07	F07F10	F07F10	F10F12
Breakaway torque at differential pressure nominal pressure for process valve PN [Nm]	7	7	7	9	15	23	30	44	79	140	170
Internal ø [mm]	11.6	12.5	15	20	25	32	40	50	63	76	96
Flow rate Kv [m <sup>3</sup> /h]	19	22	32	59	94	160	247	420	684	995	1637

Operating and environmental conditions											
Nominal width DN	8	10	15	20	25	32	40	50	65	80	100
Medium <sup>1)</sup>	Vapour Compressed air to ISO 8573-1:2010 [:-:-] Inert gases Water Neutral fluids										
Nominal pressure of process valve PN	63										
Temperature of medium [°C]	-20 ... +200										
Certification	CRN										
Corrosion resistance class CRC <sup>2)</sup>	4										
CE marking (see declaration of conformity) → www.festo.com						To EU Pressure Equipment Directive					

1) Other flow media on request

2) Corrosion resistance class CRC 4 to Festo standard FN 940070

Particularly high corrosion stress. Outdoor exposure under extreme corrosive conditions. Parts exposed to aggressive media, e.g. in the chemical or food industries. Such applications may need to be safeguarded by means of special testing (→ also FN 940082), using appropriate media.

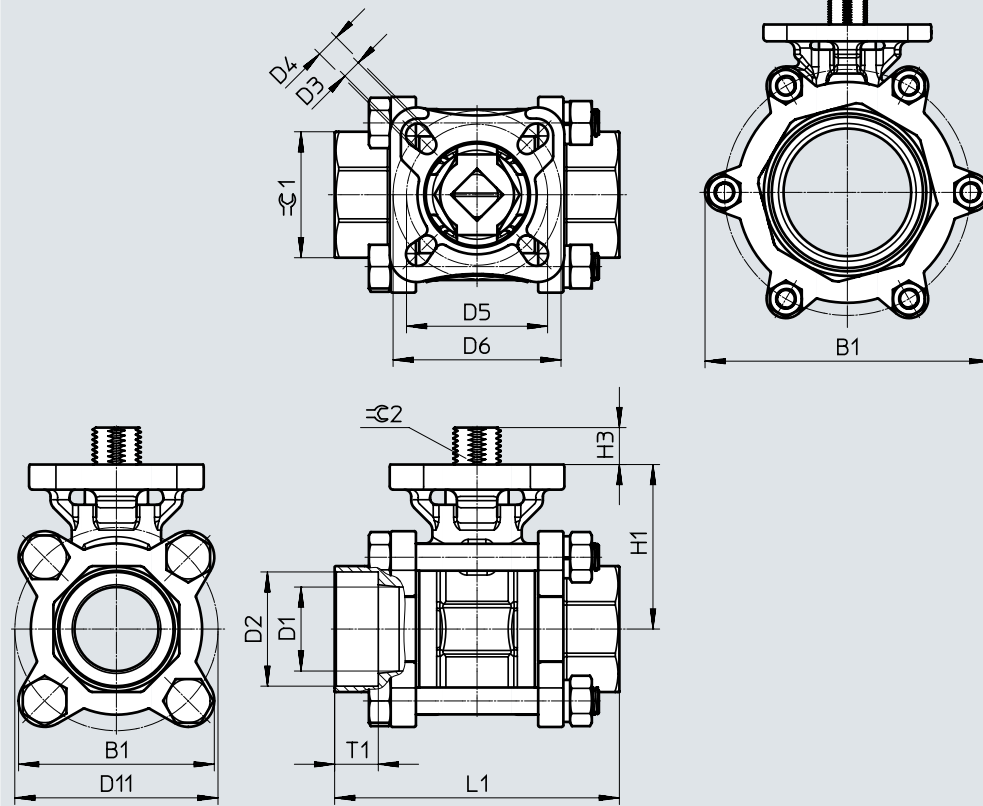
Materials	Material number
Housing	Stainless-steel casting 1.4408/CF8M
Ball	Stainless-steel casting 1.4408/CF8M
Shaft	High-alloy stainless steel 1.4401
Seat seal	PTFE, modified
Seals	FPM PTFE
Note on materials	RoHS-compliant Contains paint-wetting impairment substances

Data sheet

Dimensions


Download CAD data → [www.festo.com](http://www.festo.com)

VZBE-21/2- ... VZBE-4-...



Type	B1	D1 ø	D2 ø	D3 ø	D4 ø	D5 ø	D6 ø	D11 ø	H1	H3	L1	T1	±1	±2
VZBE-1/4-...	40	11.6	14.5	5.5	5.5	36	42	38	35.3	7.5	65	10	19	9
VZBE-3/8-...	40	12.5	18	5.5	5.5	36	42	38	35.3	7.5	65	10	23	9
VZBE-1/2-...	47	15	22	5.5	5.5	36	42	44	36.4	7.1	65	10	26	9
VZBE-3/4-...	52	20	27.5	5.5	5.5	36	42	52	39.5	7.3	75	13	32	9
VZBE-1-...	58	25	34	5.5	7	42	50	60.5	49	11	85	13	38	11
VZBE-1 1/4-...	70	32	43	5.5	7	42	50	74	54.2	9.5	101	13	48	11
VZBE-1 1/2-...	78	38	49	7	9	50	70	86	64.6	12.4	112	13	55	14
VZBE-2-...	91	50	61.5	7	9	50	70	102.5	72.5	13.6	130	16	67	14
VZBE-2 1/2-...	114	63	74	9	11	70	102	129	92	16.3	162	16	85	17
VZBE-3-...	170	76	90	9	11	70	102	146.5	100	16.3	188	16	100	17
VZBE-4-...	216	96	115.5	11	13	102	125	186.4	130	20.5	224	20	130	22

## Data sheet

Ordering data	Nominal width DN	Weight [g]	Part no.	Type
	8	400	8089038 <sup>1)</sup>	VZBE-1/4-WA-63-T-2-F0304-V15V15
	10	400	8089039 <sup>1)</sup>	VZBE-3/8-WA-63-T-2-F0304-V15V15
	15	500	8089040 <sup>1)</sup>	VZBE-1/2-WA-63-T-2-F0304-V15V15
	20	700	8089041 <sup>1)</sup>	VZBE-3/4-WA-63-T-2-F0304-V15V15
	25	1000	8089042 <sup>1)</sup>	VZBE-1-WA-63-T-2-F0405-V15V15
	32	1600	8089043 <sup>1)</sup>	VZBE-1 1/4-WA-63-T-2-F0405-V15V15
	40	2400	8089044 <sup>1)</sup>	VZBE-1 1/2-WA-63-T-2-F0507-V15V15
	50	3500	8089045 <sup>1)</sup>	VZBE-2-WA-63-T-2-F0507-V15V15
	65	6500	8089046 <sup>1)</sup>	VZBE-2 1/2-WA-63-T-2-F0710-V15V15
	80	9400	8089047 <sup>1)</sup>	VZBE-3-WA-63-T-2-F0710-V15V15
	100	18900	8089048 <sup>1)</sup>	VZBE-4-WA-63-T-2-F1012-V15V15

1) Festo is only a retailer of this product, not the manufacturer.



## Data sheet



- - Nominal width DN  
8 ... 100
- - Flow rate  
19 ... 1637 m<sup>3</sup>/h

- 2-way ball valve
- Process valve, weld-on end connection to ASME B16.11
- With hand lever



General technical data											
Nominal width DN	8	10	15	20	25	32	40	50	65	80	100
Valve function	2/2										
Design	2-way ball valve with hand lever										
Sealing principle	Soft										
Type of actuation	Mechanical										
Switching position indication	Slot direction = flow direction										
Flow direction	Reversible										
Type of mounting	In-line installation										
Mounting position	Any										
Based on standard	ASME B16.11 ISO 5211										
Flange hole pattern	F03F04	F03F04	F03F04	F03F04	F04F05	F04F05	F05F07	F05F07	F07F10	F07F10	F10F12
Breakaway torque at differential pressure nominal pressure for process valve PN [Nm]	7	7	7	9	15	23	30	44	79	140	170
Internal ø [mm]	11.6	12.5	15	20	25	32	40	50	63	76	96
Flow rate Kv [m <sup>3</sup> /h]	19	22	32	59	94	160	247	420	684	995	1637

Operating and environmental conditions											
Nominal width DN	8	10	15	20	25	32	40	50	65	80	100
Medium <sup>1)</sup>	Vapour Compressed air to ISO 8573-1:2010 [:-:-] Inert gases Water Neutral fluids										
Nominal pressure of process valve PN	63										
Temperature of medium [°C]	-20 ... +200										
Certification	CRN										
Corrosion resistance class CRC <sup>2)</sup>	4										
CE marking (see declaration of conformity) → <a href="http://www.festo.com">www.festo.com</a>						To EU Pressure Equipment Directive					

1) Other flow media on request

2) Corrosion resistance class CRC 4 to Festo standard FN 940070

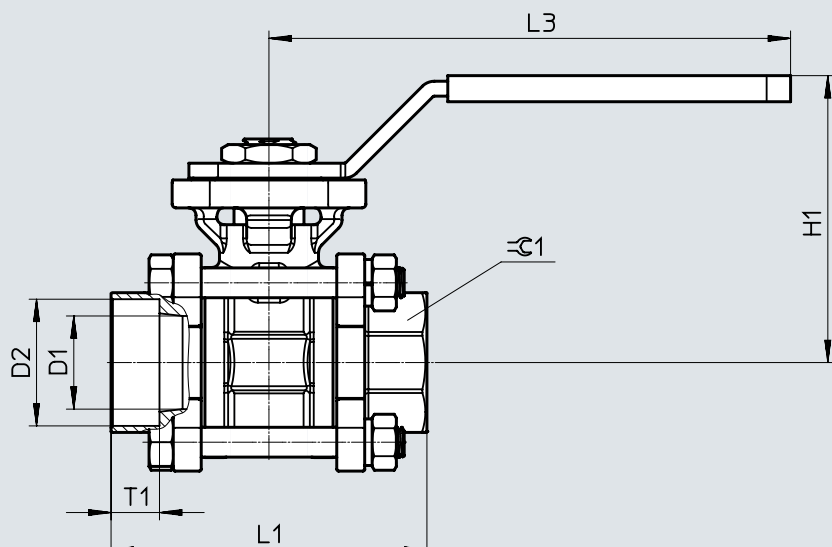
Particularly high corrosion stress. Outdoor exposure under extreme corrosive conditions. Parts exposed to aggressive media, e.g. in the chemical or food industries. Such applications may need to be safeguarded by means of special testing (→ also FN 940082), using appropriate media.

Materials	Material number	
Housing	Stainless-steel casting	1.4408/CF8M
Ball	Stainless-steel casting	1.4408/CF8M
Shaft	High-alloy stainless steel	1.4401
Seat seal	PTFE, modified	
Seals	FPM PTFE	
Note on materials	RoHS-compliant Contains paint-wetting impairment substances	

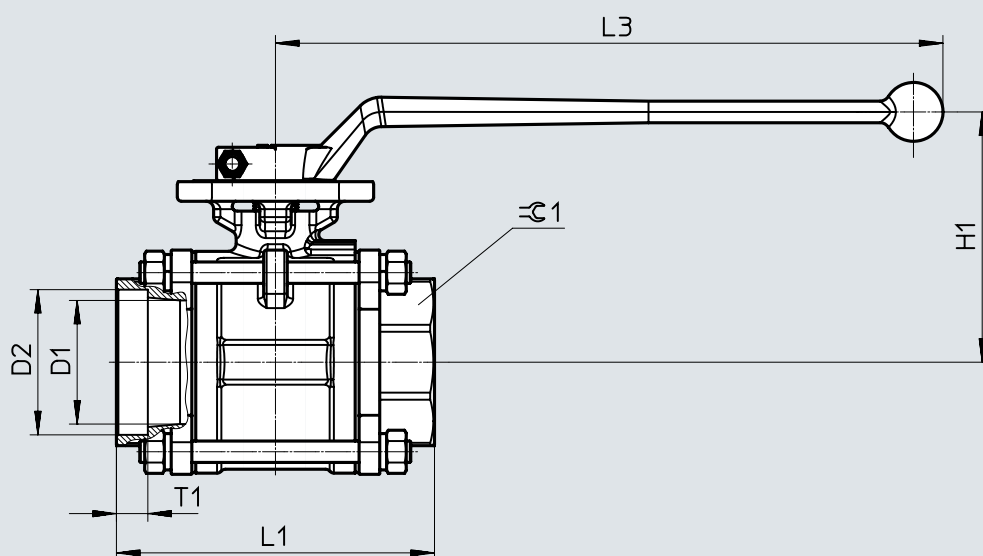
Data sheet

Dimensions

Download CAD data → [www.festo.com](http://www.festo.com)

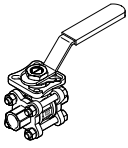


VZBE-2 1/2 ... VZBE-4 ...



Type	D1 ø	D2 ø	H1	L1	L3 ±3	T1	±C1 ±2
VZBE-1/4-...	11.6	14.5	61	65	114.5	10	19
VZBE-3/8-...	12.5	18	61	65	114.5	10	23
VZBE-1/2-...	15	22	62.7	65	114.5	10	26
VZBE-3/4-...	20	27.5	65.1	75	114.5	13	32
VZBE-1-...	25	34	76.5	85	140	13	38
VZBE-1 1/4-...	32	43	82	101	140	13	48
VZBE-1 1/2-...	38	49	102	112	172	13	55
VZBE-2-...	50	61.5	110.1	130	172	16	67
VZBE-2 1/2-...	63	74	127.3	162	340	16	85
VZBE-3-...	76	90	136.3	188	340	16	100
VZBE-4-...	96	115.5	168	224	340	20	130

## Data sheet

Ordering data	Nominal width DN	Weight [g]	Part no.	Type
	8	500	8089055 <sup>1)</sup>	VZBE-1/4-WA-63-T-2-F0304-M-V15V15
	10	500	8089056 <sup>1)</sup>	VZBE-3/8-WA-63-T-2-F0304-M-V15V15
	15	600	8089057 <sup>1)</sup>	VZBE-1/2-WA-63-T-2-F0304-M-V15V15
	20	700	8089058 <sup>1)</sup>	VZBE-3/4-WA-63-T-2-F0304-M-V15V15
	25	1100	8089059 <sup>1)</sup>	VZBE-1-WA-63-T-2-F0405-M-V15V15
	32	1700	8089060 <sup>1)</sup>	VZBE-11/4-WA-63-T-2-F0405-M-V15V15
	40	2600	8089061 <sup>1)</sup>	VZBE-11/2-WA-63-T-2-F0507-M-V15V15
	50	3700	8089062 <sup>1)</sup>	VZBE-2-WA-63-T-2-F0507-M-V15V15
	65	7400	8089063 <sup>1)</sup>	VZBE-21/2-WA-63-T-2-F0710-M-V15V15
	80	10300	8089064 <sup>1)</sup>	VZBE-3-WA-63-T-2-F0710-M-V15V15
	100	19900	8089065 <sup>1)</sup>	VZBE-4-WA-63-T-2-F1012-M-V15V15

1) Festo is only a retailer of this product, not the manufacturer.

# Ball valves VZBE, 3-way, with pipe thread

## Data sheet

Function



- With L- or T-bore
- Process valve pipe thread connection to ASME B1.20.1



- Connecting thread  
1/4 NPT ... 2 NPT
- Flow rate  
4 ... 85 m<sup>3</sup>/h

### General technical data

Process valve connection	1/4 NPT	3/8 NPT	1/2 NPT	3/4 NPT	1 NPT	1 1/4 NPT	1 1/2 NPT	2 NPT
Nominal width DN	8	10	15	20	25	32	40	50
Valve function	3/2							
Design	3-way ball valve							
Sealing principle	Soft							
Type of actuation	Mechanical							
Switching position indication	Slot direction = flow direction							
Flow direction	Reversible							
Type of mounting	In-line installation							
Mounting position	Any							
Based on standard	ASME B1.20.1 ISO 5211							
Breakaway torque at differential pressure nominal pressure for process valve PN [Nm]	9.6	9.6	9.6	14.3	25.2	33	45.5	85
Internal ø [mm]	11	11	12.7	16	20	25	32	38.1
Flow rate Kv	Type L [m <sup>3</sup> /h]		Type T [m <sup>3</sup> /h]					
	4	4	10	12	16	37	73	78
	5	5	10	14	17	40	76	85

### Operating and environmental conditions

Process valve connection	1/4 NPT	3/8 NPT	1/2 NPT	3/4 NPT	1 NPT	1 1/4 NPT	1 1/2 NPT	2 NPT
Temperature of medium [°C]	-20 ... +200							
Medium	Compressed air to ISO 8573-1:2010 [:-:-] Inert gases Water – no water vapour Neutral fluids							
Certification	CRN							
Corrosion resistance class CRC <sup>1)</sup>	4							
CE marking (see declaration of conformity) <sup>2)</sup>	-					To EU Pressure Equipment Directive		

1) Corrosion resistance class CRC 4 to Festo standard FN 940070

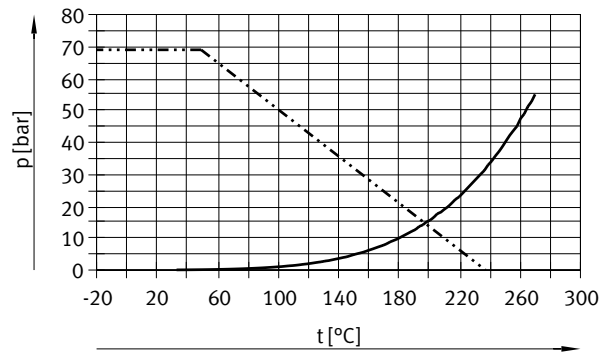
Particularly high corrosion stress. Outdoor exposure under extreme corrosive conditions. Parts exposed to aggressive media, e.g. in the chemical or food industries. Such applications may need to be safeguarded by means of special testing (→ also FN 940082), using appropriate media.

2) Additional information is available at [www.festo.com/sp](http://www.festo.com/sp) → Certificates.

## Data sheet

Materials		Material number
Housing	Stainless steel casting	1.4408
Ball	Stainless steel casting	1.4408
Shaft	High-alloy stainless steel	1.4401
Seat seal	PTFE	
Seals	PTFE	
Note on materials	RoHS-compliant	
	Contains paint-wetting impairment substances	

## Permissible operating pressure p as a function of the temperature of the medium t

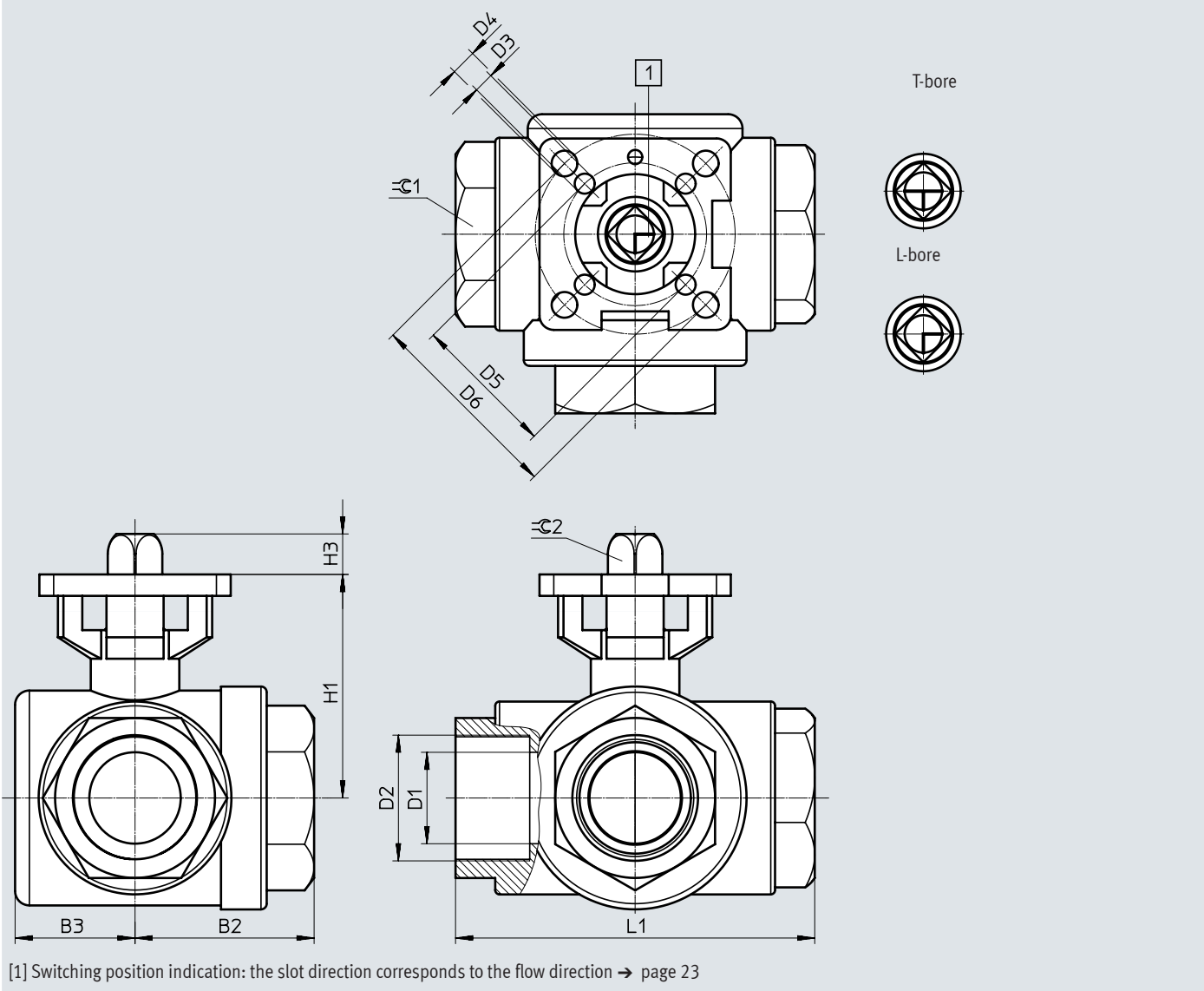


———— Saturated water vapour  
 - - - - - PTFE

Data sheet

Dimensions

Download CAD data → [www.festo.com](http://www.festo.com)

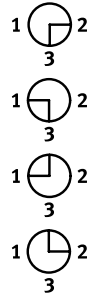
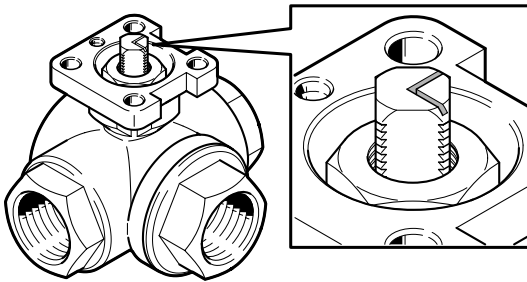


Type	B2 ±2	B3	D1 ∅	D2	D3 ∅	D4 ∅	D5 ∅	D6 ∅	H1	H3	L1 ±2	⊖C1	⊖C2
VZBE-1/4-...-F04-...	37.3	22.5	11	1/4 NPT	-	6	-	42	38.2	9	75.7	26	9
VZBE-3/8-...-F04-...	37.3	22.5	11	3/8 NPT	-	6	-	42	38.2	9	75.7	26	9
VZBE-1/2-...-F04-...	37.3	22.5	12.7	1/2 NPT	-	6	-	42	38.2	9	75.7	26	9
VZBE-3/4-...-F04-...	44.7	28	16	3/4 NPT	-	6	-	42	45.2	9	86.6	33	9
VZBE-1-...-F05-...	51.4	32.7	20	1 NPT	-	7	-	50	56.5	11.1	102.4	39	11
VZBE-1 1/4-...-F05-...	57.7	37	25	1 1/4 NPT	-	7	-	50	60.9	11.1	118.2	53	11
VZBE-1 1/2-...-F0507-...	62.7	42.5	32	1 1/2 NPT	7	9	50	70	78.3	14.2	125.8	60	14
VZBE-2-...-F0507-...	74.6	50.5	38.1	2 NPT	7	9	50	70	87.4	14.2	149	72	14

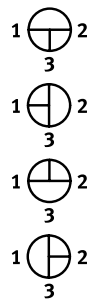
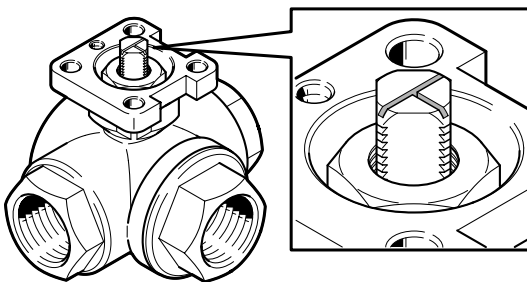
Data sheet

Switching position indication

L-bore



T-bore



Ordering data

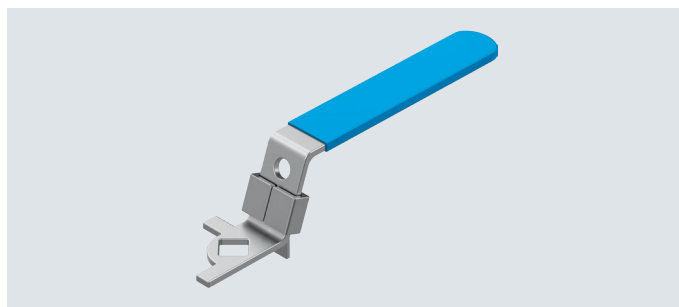
	Design	Process valve connection	Weight [g]	Part no.	Type
	L-bore	1/4 NPT	724	4834288 <sup>1)</sup>	VZBE-1/4-T-63-F-3L-F04-V15V15
		3/8 NPT	624	4834289 <sup>1)</sup>	VZBE-3/8-T-63-F-3L-F04-V15V15
		1/2 NPT	624	4834290 <sup>1)</sup>	VZBE-1/2-T-63-F-3L-F04-V15V15
		3/4 NPT	1024	4834291 <sup>1)</sup>	VZBE-3/4-T-63-F-3L-F04-V15V15
		1 NPT	1618	4834292 <sup>1)</sup>	VZBE-1-T-63-F-3L-F05-V15V15
		1 1/4 NPT	2212	4834293 <sup>1)</sup>	VZBE-1 1/4-T-63-F-3L-F05-V15V15
		1 1/2 NPT	3360	4834294 <sup>1)</sup>	VZBE-1 1/2-T-63-F-3L-F0507-V15V15
	2 NPT	5560	4834295 <sup>1)</sup>	VZBE-2-T-63-F-3L-F0507-V15V15	
	T-bore	1/4 NPT	724	4834296 <sup>1)</sup>	VZBE-1/4-T-63-F-3T-F04-V15V15
		3/8 NPT	624	4834297 <sup>1)</sup>	VZBE-3/8-T-63-F-3T-F04-V15V15
		1/2 NPT	624	4834298 <sup>1)</sup>	VZBE-1/2-T-63-F-3T-F04-V15V15
		3/4 NPT	1024	4834299 <sup>1)</sup>	VZBE-3/4-T-63-F-3T-F04-V15V15
		1 NPT	1618	4834300 <sup>1)</sup>	VZBE-1-T-63-F-3T-F05-V15V15
		1 1/4 NPT	2212	4834301 <sup>1)</sup>	VZBE-1 1/4-T-63-F-3T-F05-V15V15
1 1/2 NPT		3360	4834302 <sup>1)</sup>	VZBE-1 1/2-T-63-F-3T-F0507-V15V15	
2 NPT	5560	4834303 <sup>1)</sup>	VZBE-2-T-63-F-3T-F0507-V15V15		

1) Festo is only a retailer of this product, not the manufacturer.

## Accessories

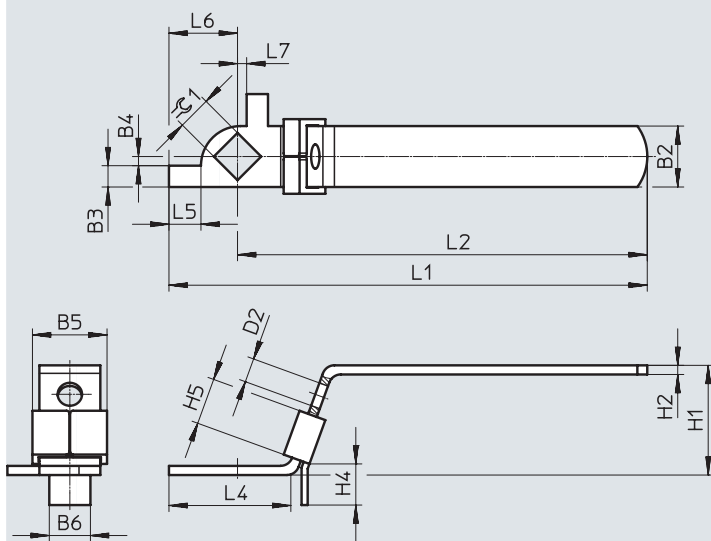
### Hand lever VAOH

- High-alloy stainless steel
- Free of copper and PTFE
- Contains paint-wetting impairment substances
- Lockable



### Dimensions and ordering data

Download CAD data → [www.festo.com](http://www.festo.com)



### Dimensions and ordering data

For connection	B2	B3	B4	B5	B6	D2 ∅	H1	H2	H4	H5	L1
1/4" ... 3/4"	20	7	3	25	14.5	8	35	3	15	15.2	131
1"	20	7	3	24.5	13.5	8	36	3	13.5	15.3	157
1 1/4"	25	9.5	3	30	15	8	38	4	11.5	15	211
1 1/2" ... 2"	30	12	3	35	22	8	39	4	17	17	233

For connection	L2	L4	L5	L6	L7	≈±1	CRC <sup>2)</sup>	Weight [g]	Part no.	Type
1/4" ... 3/4"	112	39	8.5	19	3	9	3	76	4896014 <sup>1)</sup>	VAOH-F7-9-H9-A-32
1"	134.5	40	10.5	25.5	3	11	3	82	4896015 <sup>1)</sup>	VAOH-F7-11-H9-A-32
1 1/4"	186	48	10.5	25	3	11	3	188	4896017 <sup>1)</sup>	VAOH-F7-11-211-H9-A-32
1 1/2" ... 2"	197.9	59	19.5	35.1	3	14	3	240	4896016 <sup>1)</sup>	VAOH-F7-14-H9-A-32

1) Festo is only a retailer of this product, not the manufacturer.

2) Corrosion resistance class CRC 3 to Festo standard FN 940070

High corrosion stress. Outdoor exposure under moderate corrosive conditions. Externally visible parts with primarily functional surface requirements which are in direct contact with a normal industrial environment.

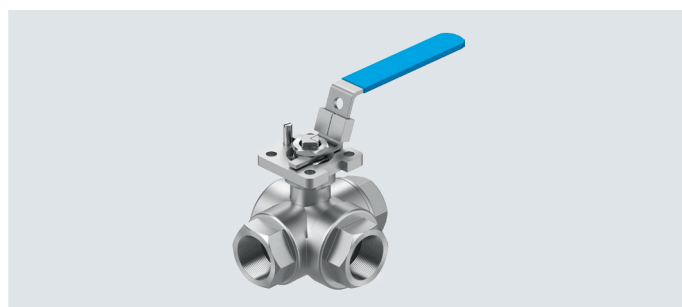


## Data sheet

Function



- With L- or T-bore
- Process valve pipe thread connection to ASME B1.20.1



- - Connecting thread  
1/4 NPT ... 2 NPT
- - Flow rate  
1.2 ... 22.5 m<sup>3</sup>/h

General technical data		1/4 NPT	3/8 NPT	1/2 NPT	3/4 NPT	1 NPT	1 1/4 NPT	1 1/2 NPT	2 NPT
Process valve connection		1/4 NPT	3/8 NPT	1/2 NPT	3/4 NPT	1 NPT	1 1/4 NPT	1 1/2 NPT	2 NPT
Nominal width DN		8	10	15	20	25	32	40	50
Valve function		3/2							
Design		3-way ball valve							
		L-bore							
		T-bore							
Sealing principle		Soft							
Type of actuation		Mechanical							
Switching position indication		Slot direction = flow direction							
Flow direction		Reversible							
Type of mounting		In-line installation							
Mounting position		Any							
Based on standard		ASME B1.20.1							
		ISO 5211							
Breakaway torque at differential pressure nominal pressure for process valve PN	[Nm]	9.6	9.6	9.6	14.3	25.2	33	45.5	85
Internal $\varnothing$	[mm]	11	11	12.7	16	20	25	32	38.1
Flow rate Kv	Type L [m <sup>3</sup> /h]	1.2	1.2	2.5	3.2	4.1	9.9	19.3	20.7
	Type T [m <sup>3</sup> /h]	1.4	1.4	2.8	3.7	4.6	10.6	20.2	22.5

Operating and environmental conditions		1/4 NPT	3/8 NPT	1/2 NPT	3/4 NPT	1 NPT	1 1/4 NPT	1 1/2 NPT	2 NPT	
Process valve connection		1/4 NPT	3/8 NPT	1/2 NPT	3/4 NPT	1 NPT	1 1/4 NPT	1 1/2 NPT	2 NPT	
Temperature of medium	[°C]	-20 ... +200								
Medium		Vapour								
		Compressed air to ISO 8573-1:2010 [:-:-]								
		Inert gases								
		Water								
		Neutral fluids								
Certification		CRN								
Corrosion resistance class CRC <sup>1)</sup>		4								
CE marking (see declaration of conformity) <sup>2)</sup>		-						To EU Pressure Equipment Directive		

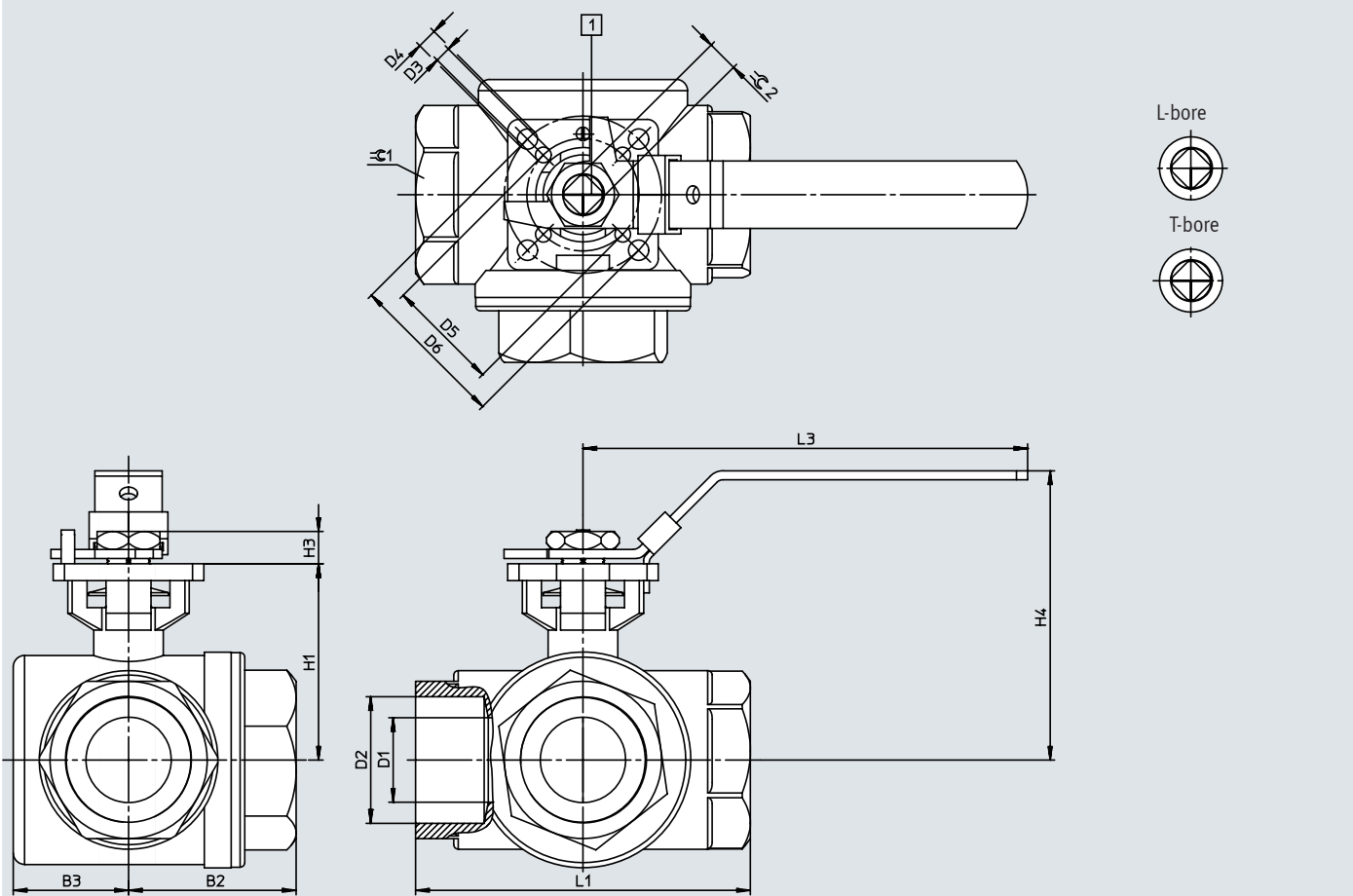
- 1) Corrosion resistance class CRC 4 to Festo standard FN 940070  
Particularly high corrosion stress. Outdoor exposure under extreme corrosive conditions. Parts exposed to aggressive media, e.g. in the chemical or food industries. Such applications may need to be safeguarded by means of special testing (→ also FN 940082), using appropriate media.
- 2) Additional information is available at [www.festo.com/sp](http://www.festo.com/sp) → Certificates.

Materials		Material number
Housing	Stainless steel casting	1.4408
Ball	Stainless steel casting	1.4408
Shaft	High-alloy stainless steel	1.4401
Seat seal	PTFE	
Seals	PTFE	
Note on materials		RoHS-compliant
		Contains paint-wetting impairment substances

Data sheet

Dimensions

Download CAD data → [www.festo.com](http://www.festo.com)



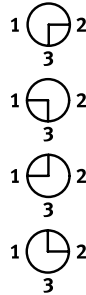
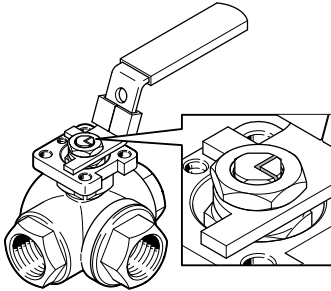
[1] Switching position indication: the slot direction corresponds to the flow direction → page 27

Type	B2	B3	D1	D2	D3	D4	D5	D6	H1	H3	H4	L1	L3	⌀1	⌀2
	±2		∅		∅	∅	∅	∅				±2			
VZBE-1/4-...	37.3	22.5	11	1/4 NPT	-	6	-	42	38.2	9	75.7	75.7	114.5	26	9
VZBE-3/8-...	37.3	22.5	11	3/8 NPT	-	6	-	42	38.2	9	75.7	75.7	114.5	26	9
VZBE-1/2-...	37.3	22.5	12.7	1/2 NPT	-	6	-	42	38.2	9	75.7	75.7	114.5	26	9
VZBE-3/4-...	44.7	28	16	3/4 NPT	-	6	-	42	45.2	9	82.7	86.6	114.5	33	9
VZBE-1-...	51.4	32.7	20	1 NPT	-	7	-	50	56.5	11.1	95	102.4	139.5	39	11
VZBE-1 1/4-...	57.7	37	25	1 1/4 NPT	-	7	-	50	60.9	11.1	104.4	118.2	186.5	53	11
VZBE-1 1/2-...	62.7	42.5	32	1 1/2 NPT	7	9	50	70	78.3	14.2	119.8	125.8	200.5	60	14
VZBE-2-...	74.6	50.5	38.1	2 NPT	7	9	50	70	87.4	14.2	128.9	149	200.5	72	14

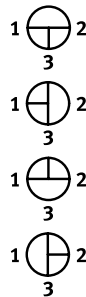
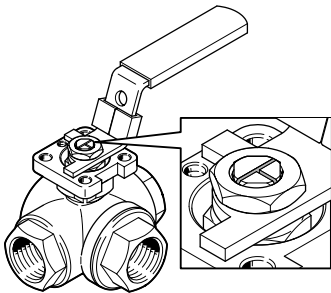
Data sheet

Switching position indication

L-bore



T-bore



Ordering data

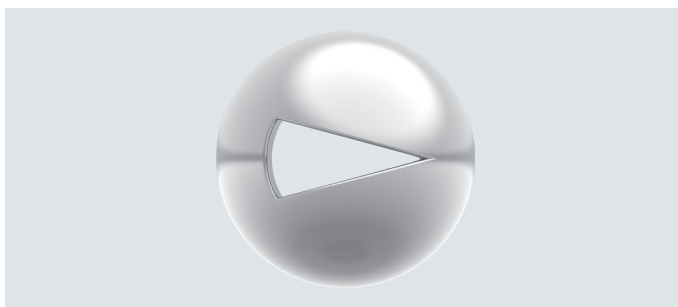
	Design	Process valve connection	Weight [g]	Part no.	Type
	L-bore	1/4 NPT	800	8096943 <sup>1)</sup>	VZBE-1/4-T-63-F-3L-F04-M-V15V15
		3/8 NPT	700	8096944 <sup>1)</sup>	VZBE-3/8-T-63-F-3L-F04-M-V15V15
		1/2 NPT	700	8096945 <sup>1)</sup>	VZBE-1/2-T-63-F-3L-F04-M-V15V15
		3/4 NPT	1100	8096946 <sup>1)</sup>	VZBE-3/4-T-63-F-3L-F04-M-V15V15
		1 NPT	1700	8096947 <sup>1)</sup>	VZBE-1-T-63-F-3L-F05-M-V15V15
		1 1/4 NPT	2400	8096948 <sup>1)</sup>	VZBE-11/4-T-63-F-3L-F05-M-V15V15
		1 1/2 NPT	3600	8096949 <sup>1)</sup>	VZBE-11/2-T-63-F-3L-F0507-M-V15V15
		2 NPT	5800	8096950 <sup>1)</sup>	VZBE-2-T-63-F-3L-F0507-M-V15V15
	T-bore	1/4 NPT	800	8096951 <sup>1)</sup>	VZBE-1/4-T-63-F-3T-F04-M-V15V15
		3/8 NPT	700	8096952 <sup>1)</sup>	VZBE-3/8-T-63-F-3T-F04-M-V15V15
		1/2 NPT	700	8096953 <sup>1)</sup>	VZBE-1/2-T-63-F-3T-F04-M-V15V15
		3/4 NPT	1100	8096954 <sup>1)</sup>	VZBE-3/4-T-63-F-3T-F04-M-V15V15
		1 NPT	1700	8096955 <sup>1)</sup>	VZBE-1-T-63-F-3T-F05-M-V15V15
		1 1/4 NPT	2400	8096956 <sup>1)</sup>	VZBE-11/4-T-63-F-3T-F05-M-V15V15
		1 1/2 NPT	3600	8096957 <sup>1)</sup>	VZBE-11/2-T-63-F-3T-F0507-M-V15V15
		2 NPT	5800	8096958 <sup>1)</sup>	VZBE-2-T-63-F-3T-F0507-M-V15V15

1) Festo is only a retailer of this product, not the manufacturer.

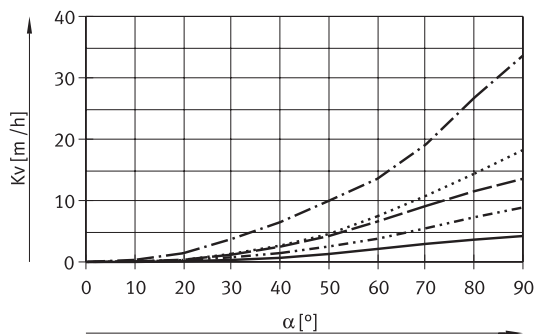
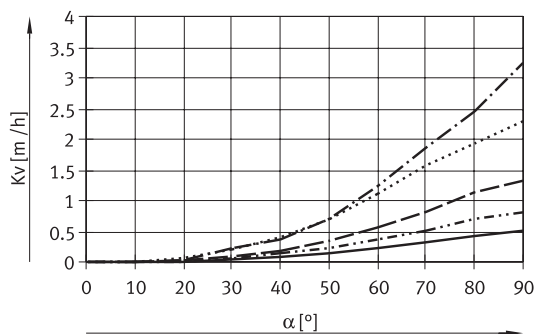
## Accessories

### V-port ball VAVC

- For ball valves VZBE
- Outlet opening 30°
- Shut-off element material:  
Stainless steel casting
- RoHS-compliant
- Contains paint-wetting impairment substances



Flow rate factor Kv as a function of degree ° of opening of the valve



- 1/4" ... 3/8"
- 1/2"
- 3/4"
- 1"
- 1 1/4"

- 1 1/2" ... 3/8"
- 2"
- 2 1/2"
- 3"
- 4"

### Ordering data

	Outlet opening	Nominal width DN	CRC <sup>1)</sup>	Product weight [g]	Part no.	Type
	30°	8	4	38.5	8083049	VAVC-F7-B-V30-1/4"
		10		38.5	8083050	VAVC-F7-B-V30-3/8"
		15		38.5	8083051	VAVC-F7-B-V30-1/2"
		20		69.3	8083052	VAVC-F7-B-V30-3/4"
		25		119.1	8083053	VAVC-F7-B-V30-1"
		32		253.1	8083054	VAVC-F7-B-V30-1 1/4"
		40		440.9	8083055	VAVC-F7-B-V30-1 1/2"
		50		863.5	8083056	VAVC-F7-B-V30-2"
		65		1720	8083057	VAVC-F7-B-V30-2 1/2"
		80		2725.8	8083058	VAVC-F7-B-V30-3"
100	6003.3	8083059	VAVC-F7-B-V30-4"			

1) Corrosion resistance class CRC 4 to Festo standard FN 940070  
Particularly high corrosion stress. Outdoor exposure under extreme corrosive conditions. Parts exposed to aggressive media, e.g. in the chemical or food industries. Such applications may need to be safeguarded by means of special testing (→ also FN 940082), using appropriate media.

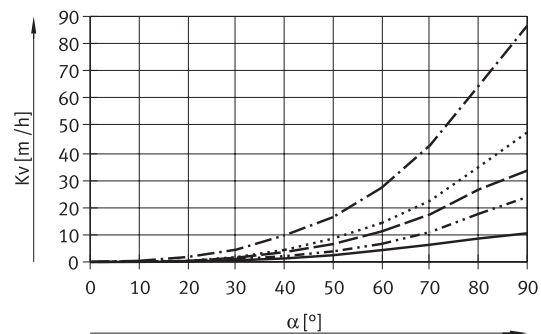
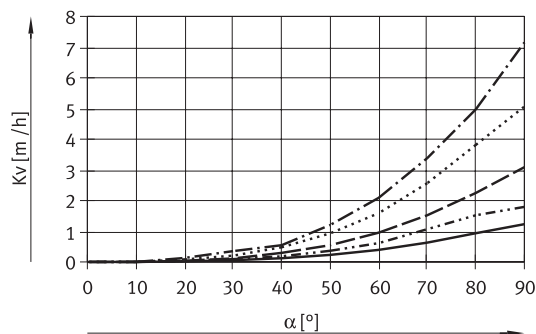
## Accessories

### V-port ball VAVC

- For ball valves VZBE
- Outlet opening 60°
- Shut-off element material:  
Stainless steel casting
- RoHS-compliant
- Contains paint-wetting impairment substances



### Flow rate factor Kv as a function of degree ° of opening of the valve



- 1/4" ... 3/8"
- 1/2"
- 3/4"
- 1"
- 1 1/4"

- 1 1/2"
- 2"
- 2 1/2"
- 3"
- 4"

### Ordering data

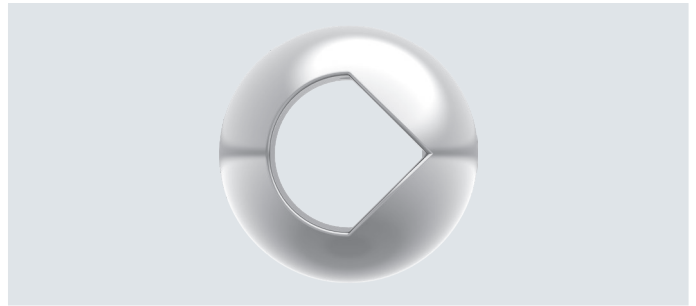
	Outlet opening	Nominal width DN	CRC <sup>1)</sup>	Product weight [g]	Part no.	Type
	60°	8	4	37.2	8083060	VAVC-F7-B-V60-1/4"
		10		37.2	8083061	VAVC-F7-B-V60-3/8"
		15		37.2	8083062	VAVC-F7-B-V60-1/2"
		20		66.4	8083063	VAVC-F7-B-V60-3/4"
		25		114	8083064	VAVC-F7-B-V60-1"
		32		244	8083065	VAVC-F7-B-V60-1 1/4"
		40		426.6	8083066	VAVC-F7-B-V60-1 1/2"
		50		835.7	8083067	VAVC-F7-B-V60-2"
		65		1667.1	8083068	VAVC-F7-B-V60-2 1/2"
		80		2637.6	8083069	VAVC-F7-B-V60-3"
		100		5862.8	8083070	VAVC-F7-B-V60-4"

1) Corrosion resistance class CRC 4 to Festo standard FN 940070  
Particularly high corrosion stress. Outdoor exposure under extreme corrosive conditions. Parts exposed to aggressive media, e.g. in the chemical or food industries. Such applications may need to be safeguarded by means of special testing (→ also FN 940082), using appropriate media.

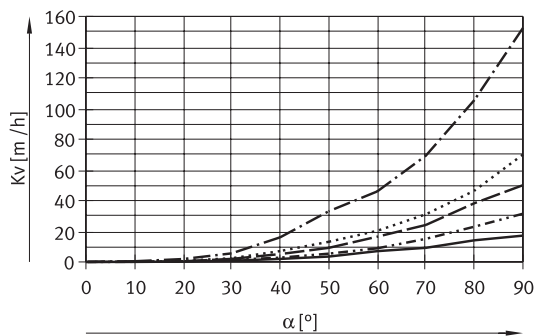
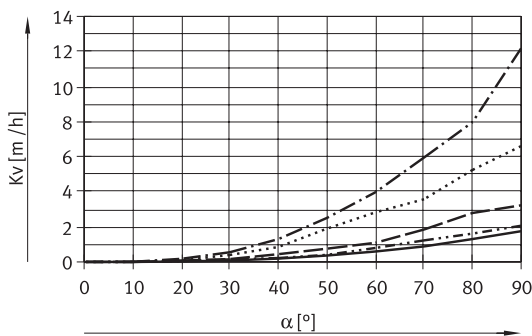
## Accessories

### V-port ball VAVC

- For ball valves VZBE
- Outlet opening 90°
- Shut-off element material:  
Stainless steel casting
- RoHS-compliant
- Contains paint-wetting impairment substances



Flow rate factor Kv as a function of degree ° of opening of the valve



- 1/4"
- - - - - 1/2"
- 3/4"
- - - - - 1"
- - - - - 1 1/4"

- 1 1/2"
- - - - - 2"
- 2 1/2"
- - - - - 3"
- - - - - 4"

### Ordering data

	Outlet opening	Nominal width DN	CRC <sup>1)</sup>	Product weight [g]	Part no.	Type
	90°	8	4	36	8083071	VAVC-F7-B-V90-1/4"
		10		36	8083072	VAVC-F7-B-V90-3/8"
		15		36	8083073	VAVC-F7-B-V90-1/2"
		20		64.1	8083074	VAVC-F7-B-V90-3/4"
		25		110	8083075	VAVC-F7-B-V90-1"
		32		236.8	8083076	VAVC-F7-B-V90-1 1/4"
		40		415.4	8083077	VAVC-F7-B-V90-1 1/2"
		50		813.9	8083078	VAVC-F7-B-V90-2"
		65		1626.2	8083079	VAVC-F7-B-V90-2 1/2"
		80		2568.9	8083080	VAVC-F7-B-V90-3"
		100		5757.1	8083081	VAVC-F7-B-V90-4"

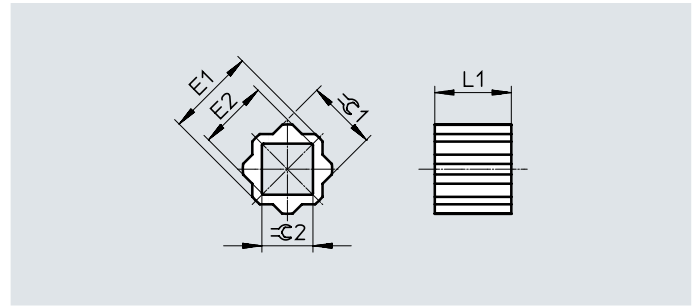
1) Corrosion resistance class CRC 4 to Festo standard FN 940070

Particularly high corrosion stress. Outdoor exposure under extreme corrosive conditions. Parts exposed to aggressive media, e.g. in the chemical or food industries. Such applications may need to be safeguarded by means of special testing (→ also FN 940082), using appropriate media.

## Accessories

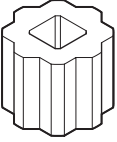
## Reducing sleeve DARQ

- Connection 1,  
function: drive outlet
- Connection 2,  
function: reducing outlet
- Material:  
Sintered stainless steel
- RoHS-compliant
- Contains paint-wetting impairment  
substances



DARQ-R-A-...	E1 +0.1/-0.3	E2 +0.3/-0.1	L1 ±0.2	$\varnothing 1$ -0.02/-0.12	$\varnothing 2$ +0.04/+0.18
S11-S8-...	14	11	12	11	8
S11-S9-...	14	12.3	11	11	9
S14-S8-...	18	11	16	14	8
S14-S9-...	18	12.3	16	14	9
S14-S10-...	18	13.3	16	14	10
S14-S11-...	18	14.3	16	14	11
S14-S12-...	18	16.3	16	14	12
S17-S8-...	22	11	17	17	8
S17-S9-...	22	12.3	17	17	9
S17-S11-...	22	14.3	17	17	11
S17-S12-...	22	16.3	17	17	12
S17-S14-...	22	18.3	17	17	14
S22-S11-...	28	14.3	22	22	11
S22-S14-...	28	18.3	22	22	14
S22-S16-...	28	21.3	22	22	16
S22-S17-...	28	22.3	22	22	17
S27-S14-...	36	18.3	27	27	14
S27-S17-...	36	22.3	27	27	17
S27-S22-...	36	28.5	27	27	22
S36-S22-...	48	28.5	36	36	22
S36-S27-...	48	36.1	36	36	27
S46-S36-...	59	48	46	46	36

## Accessories

Ordering data		Connection	Length [mm]	CRC <sup>1)</sup>	Weight/piece [g]	Part no.	Type	PU <sup>2)</sup>	
Design	Drive outlet								Reducing outlet
<b>Female square and external octagon</b>									
	A/F 11 mm	A/F 8 mm	12	2	7	8082116	DARQ-R-A-S11-S8-12	1	
	A/F 11 mm	A/F 9 mm	11		5	8082117	DARQ-R-A-S11-S9-11		
	A/F 14 mm	A/F 8 mm	16		20	8086383	DARQ-R-A-S14-S8-16		
	A/F 14 mm	A/F 9 mm	16		18	8082118	DARQ-R-A-S14-S9-16		
	A/F 14 mm	A/F 10 mm	16		16	8082119	DARQ-R-A-S14-S10-16		
	A/F 14 mm	A/F 11 mm	16		13	8082120	DARQ-R-A-S14-S11-16		
	A/F 14 mm	A/F 12 mm	16		10	8082121	DARQ-R-A-S14-S12-16		
	A/F 17 mm	A/F 8 mm	17		36	8086384	DARQ-R-A-S17-S8-17		
	A/F 17 mm	A/F 9 mm	17		34	8096914	DARQ-R-A-S17-S9-17		
	A/F 17 mm	A/F 11 mm	17		29	8082122	DARQ-R-A-S17-S11-17		
	A/F 17 mm	A/F 12 mm	17		25	8086385	DARQ-R-A-S17-S12-17		
	A/F 17 mm	A/F 14 mm	17		19	8082123	DARQ-R-A-S17-S14-17		
	A/F 22 mm	A/F 11 mm	22		75	8086386	DARQ-R-A-S22-S11-22		
	A/F 22 mm	A/F 14 mm	22		62	8082124	DARQ-R-A-S22-S14-22		
	A/F 22 mm	A/F 16 mm	22		52	8082125	DARQ-R-A-S22-S16-22		
	A/F 22 mm	A/F 17 mm	22		46	8082126	DARQ-R-A-S22-S17-22		
	A/F 27 mm	A/F 14 mm	27		140	8096913	DARQ-R-A-S27-S14-27		
	A/F 27 mm	A/F 17 mm	27		121	8086387	DARQ-R-A-S27-S17-27		
	A/F 27 mm	A/F 22 mm	27		80	8082127	DARQ-R-A-S27-S22-27		
	A/F 36 mm	A/F 22 mm	36		286	8096915	DARQ-R-A-S36-S22-36		
	A/F 36 mm	A/F 27 mm	36		215	8082128	DARQ-R-A-S36-S27-36		
	A/F 46 mm	A/F 36 mm	46		410	8082129	DARQ-R-A-S46-S36-46		
	A/F 11 mm	A/F 8 mm	12		35	8082130	DARQ-R-A-S11-S8-12-P5		5
	A/F 11 mm	A/F 9 mm	11		25	8082131	DARQ-R-A-S11-S9-11-P5		
	A/F 14 mm	A/F 8 mm	16		100	8086388	DARQ-R-A-S14-S8-16-P5		
	A/F 14 mm	A/F 9 mm	16		90	8082132	DARQ-R-A-S14-S9-16-P5		
	A/F 14 mm	A/F 11 mm	16		65	8082133	DARQ-R-A-S14-S11-16-P5		
	A/F 17 mm	A/F 11 mm	17		145	8082134	DARQ-R-A-S17-S11-17-P5		
	A/F 17 mm	A/F 12 mm	17		125	8086389	DARQ-R-A-S17-S12-17-P5		
	A/F 17 mm	A/F 14 mm	17		95	8082135	DARQ-R-A-S17-S14-17-P5		
	A/F 22 mm	A/F 14 mm	22		310	8082136	DARQ-R-A-S22-S14-22-P5		
	A/F 22 mm	A/F 17 mm	22		230	8082137	DARQ-R-A-S22-S17-22-P5		
A/F 27 mm	A/F 22 mm	27	400	8082138	DARQ-R-A-S27-S22-27-P5				
A/F 36 mm	A/F 27 mm	36	1075	8082139	DARQ-R-A-S36-S27-36-P5				
A/F 11 mm	A/F 9 mm	11	50	8082140	DARQ-R-A-S11-S9-11-P10	10			
A/F 14 mm	A/F 9 mm	16	180	8082141	DARQ-R-A-S14-S9-16-P10				
A/F 14 mm	A/F 11 mm	16	130	8082142	DARQ-R-A-S14-S11-16-P10				
A/F 17 mm	A/F 14 mm	17	190	8082143	DARQ-R-A-S17-S14-17-P10				
A/F 22 mm	A/F 17 mm	22	460	8082144	DARQ-R-A-S22-S17-22-P10				
A/F 11 mm	A/F 9 mm	11	250	8082145	DARQ-R-A-S11-S9-11-P50		50		
A/F 14 mm	A/F 9 mm	16	900	8082146	DARQ-R-A-S14-S9-16-P50				
A/F 14 mm	A/F 11 mm	16	650	8082147	DARQ-R-A-S14-S11-16-P50				
A/F 17 mm	A/F 11 mm	17	1450	8082148	DARQ-R-A-S17-S11-17-P50				
A/F 22 mm	A/F 17 mm	22	2300	8082149	DARQ-R-A-S22-S17-22-P50				

1) Corrosion resistance class CRC 2 to Festo standard FN 940070

Moderate corrosion stress. Indoor applications in which condensation can occur. External visible parts with primarily decorative surface requirements which are in direct contact with a normal industrial environment.

2) Packaging unit



## Accessories

### Mounting kit DARQ

- Connection 1, function: drive outlet
- Connection 2, function: reducing outlet
- Material: High-alloy stainless steel
- RoHS-compliant
- Contains paint-wetting impairment substances



General technical data	
Based on standard	EN 15081 ISO 5211
Design	Female square and male square Mounting kit
Connection 1, function	Drive outlet
Connection 2, function	Reducing outlet

Operating and environmental conditions	
Corrosion resistance class CRC <sup>1)</sup>	2

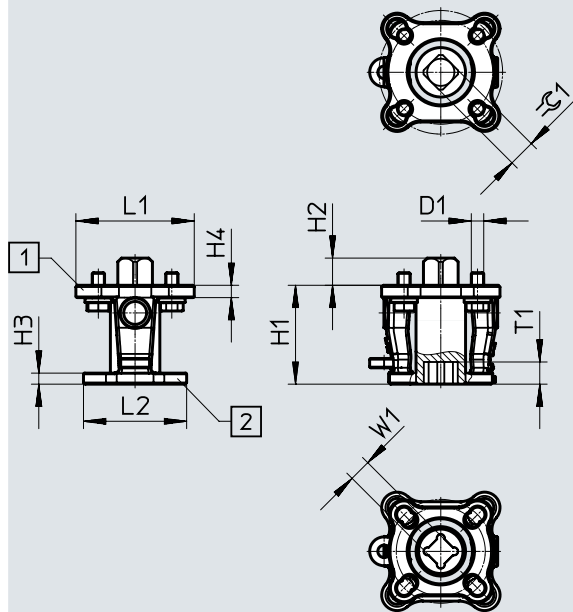
1) Corrosion resistance class CRC 2 to Festo standard FN 940070  
Moderate corrosion stress. Indoor applications in which condensation can occur. External visible parts with primarily decorative surface requirements which are in direct contact with a normal industrial environment.

Materials	
Coupling	High-alloy stainless steel
Mounting adapter	
Disc	
Screws	
Note on materials	RoHS-compliant Contains paint-wetting impairment substances

Accessories

Dimensions

Download CAD data → [www.festo.com](http://www.festo.com)



[1] Connection 1, drive outlet  
[2] Connection 2, reducing outlet

DARQ-K-V...	D1	H1	H2	H3	H4	L1	L2	T1	W1 H11	≈ 1 h11
F04S11-F03S9-...	M5	40	11	3.2	5	46	23	9	9	11
F05S14-F03S9-...	M6	40	15	3.2	5	46	23	9	9	14
F05S14-F04S11-...	M6	40	15	3.2	5	46	23	11	11	14
F07S17-F04S11-...	M8	50	18	6	6	66	30.5	11	11	17
F07S17-F05S14-...	M8	50	18	6	6	66	30.5	15	14	17
F10S22-F05S14-...	M10	75	23	10	9.5	132.1	63	15	14	22
F10S22-F07S17-...	M10	75	23	10	9.5	132.1	63	18	17	22

Ordering data

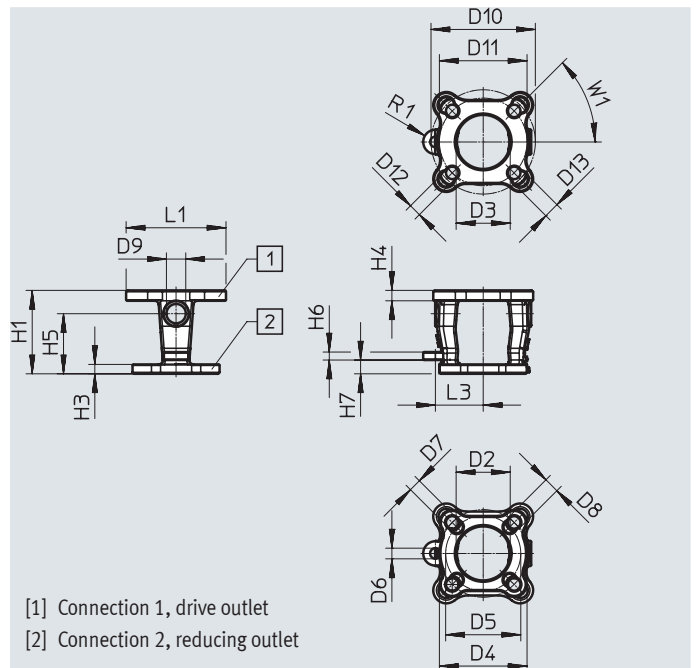
	Connection		Weight/piece [g]	Part no.	Type	PU <sup>1)</sup>
	Drive outlet	Reducing outlet				
	A/F 11 mm	A/F 9 mm	232	8088299	DARQ-K-V-F04S11-F03S9-R1	1
	A/F 14 mm	A/F 9 mm	255	8088301	DARQ-K-V-F05S14-F03S9-R1	
	A/F 14 mm	A/F 11 mm	342	8088297	DARQ-K-V-F05S14-F04S11-R1	
	A/F 17 mm	A/F 11 mm	563	8088302	DARQ-K-V-F07S17-F04S11-R1	
	A/F 17 mm	A/F 14 mm	771	8088303	DARQ-K-V-F07S17-F05S14-R1	
	A/F 22 mm	A/F 14 mm	1515	8088300	DARQ-K-V-F10S22-F05S14-R1	
	A/F 22 mm	A/F 17 mm	2010	8088298	DARQ-K-V-F10S22-F07S17-R1	

1) Packaging unit

## Accessories

### Mounting adapter DARQ

- Connection 1, function: drive outlet
- Connection 2, function: reducing outlet
- Material: High-alloy stainless steel
- RoHS-compliant
- Contains paint-wetting impairment substances



[1] Connection 1, drive outlet  
[2] Connection 2, reducing outlet

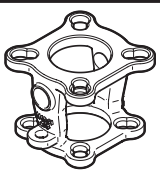
#### Dimensions

DARQ-B-...	D2 ø	D3 ø	D4 ø	D5 ø	D6 ø	D7 ø	D8 ø	D9 ø	D10 ø	D11 ø
F0405-F0304-...	25.9	25.9	42	36	5.1	6.1	6.1	9.4	50	42
F0507-F0405-...	30.5	36.8	50	42	5.1	7.6	6.6	10.9	70	50
F0710-F0507-...	38.6	50	70	50	5.1	8.9	7.1	14	102	70
F1012-F10-...	69.9	76.2	-	102	5.1	-	11.2	17.3	125	102

#### Dimensions

DARQ-B-...	D12 ø	D13 ø	H1	H3	H4	H5	H6	H7	L1	L3	W1
F0405-F0304-...	6.1	7.6	39.9	3.2	5	28.2	3.8	7.1	46	22.9	45°
F0507-F0405-...	7.6	10.2	50	6	6	36.3	3.8	7.1	66	30.5	45°
F0710-F0507-...	8.9	10.9	74.9	9.5	9.5	50.5	3.8	7.1	102.1	39.1	45°
F1012-F10-...	11.2	13	80	10	9.5	58.4	3.8	7.1	132.1	63	45°

#### Ordering data

	Connection		CRC <sup>1)</sup>	Weight/piece [g]	Part no.	Type	PU <sup>2)</sup>
	Drive outlet	Reducing outlet					
	Hole pattern 04 and 05	Hole pattern 03 and 04	2	120	8087462	DARQ-B-F0405-F0304-R1	1
	Hole pattern 05 and 07	Hole pattern 04 and 05		300	8087463	DARQ-B-F0507-F0405-R1	
	Hole pattern 10 and 12	Hole pattern 10		950	8087464	DARQ-B-F1012-F10-R1	
	Hole pattern 07 and 10	Hole pattern 05 and 07		1610	8087465	DARQ-B-F0710-F0507-R1	

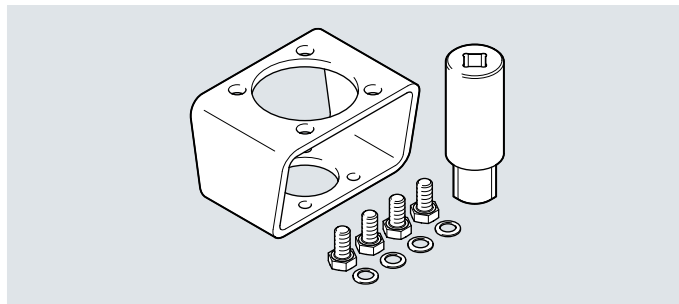
1) Corrosion resistance class CRC 2 to Festo standard FN 940070

Moderate corrosion stress. Indoor applications in which condensation can occur. External visible parts with primarily decorative surface requirements which are in direct contact with a normal industrial environment.

2) Packaging unit

## Accessories

### Mounting kit DARQ



General technical data		
DARQ-...	K-V-...	K-Z-...
Based on standard	EN 15081 ISO 5211	
Design	Female square and male square	Dual flat and male square
	Mounting kit	
Connection 1, function	Drive outlet	
Connection 2, function	Reducing outlet	

Operating and environmental conditions	
Corrosion resistance class CRC <sup>1)</sup>	2

1) Corrosion resistance class CRC 2 to Festo standard FN 940070  
Moderate corrosion stress. Indoor applications in which condensation can occur. External visible parts with primarily decorative surface requirements which are in direct contact with a normal industrial environment.

Materials	
Coupling	High-alloy stainless steel
Mounting adapter	Steel
Disc	High-alloy stainless steel
Screws	High-alloy stainless steel
Note on materials	RoHS-compliant Contains paint-wetting impairment substances

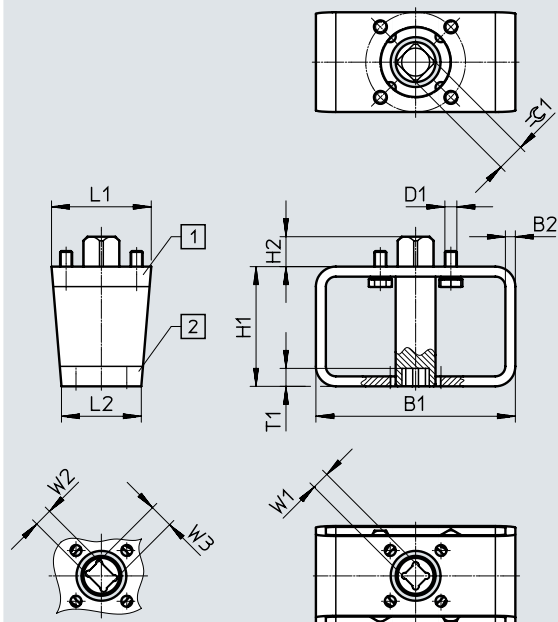
## Accessories

## Dimensions

Download CAD data → [www.festo.com](http://www.festo.com)

DARQ-K-Z...

DARQ-K-V...



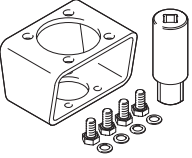
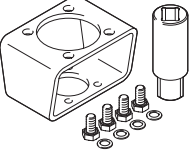
- [1] Connection 1, drive outlet
- [2] Connection 2, reducing outlet

## Accessories

DARQ-K-V...	B1	B2	D1	H1	H2	L1	L2	T1	W1 H11	≈ 1 h11
F03S9-F03S9-...	80	4	M5	50	9	40	40	9	9	9
F04S11-F03S9-...	80	4	M5	50	11	45	40	9	9	11
F04S11-F04S11-...	80	4	M5	50	11	45	45	11	11	11
F05S14-F03S9-...	100	5	M6	60	15	50	40	9	9	14
F05S14-F04S11-...	100	5	M6	60	15	50	45	11	11	14
F05S14-F05S14-...	100	5	M6	60	15	50	50	15	14	14
F07S17-F03S9	100	5	M8	60	18	70	45	9	9	17
F07S17-F04S11-...	100	5	M8	60	18	70	45	11	11	17
F07S17-F05S14-...	100	5	M8	60	18	70	50	15	14	17
F07S17-F07S14-...	100	5	M8	60	18	70	70	15	14	17
F07S22-F05S11-...	100	5	M8	60	23	70	50	11	11	22
F10S22-F04S11	120	5	M10	80	22	95	50	11	11	22
F10S22-F05S14-...	120	5	M10	80	22.5	95	50	15	14	22
F10S22-F07S17-...	120	5	M10	80	22.5	95	70	18	17	22
F10S22-F10S22-...	120	5	M10	80	22.5	95	95	22.5	22	22
F10S27-F05S14-...	120	5	M10	80	27.5	95	50	15	14	27
F10S27-F07S14-...	120	5	M10	80	27.5	95	70	15	14	27
F10S27-F07S17-...	120	5	M10	80	27.5	95	70	18	17	27
F12S27-F05S14	160	6	M12	80	27	115	70	15	14	27
F12S27-F07S14	160	6	M12	80	27	115	70	15	14	27
F12S27-F07S17-...	160	6	M12	80	27	115	70	18	17	27
F12S27-F10S22-...	160	6	M12	80	27	115	95	22.5	22	27
F12S27-F12S27-...	160	6	M12	80	27	115	115	27.5	27	27

DARQ-K-Z...	B1	B2	D1	H1	H2	L1	L2	T1	W2 -0.1	W3 H11	≈ 1 h11
F03S9-F03S9-...	80	4	M5	50	9	40	40	14	9	12.1	9
F04S11-F03S9-...	80	4	M5	50	11	45	40	14	9	12.1	11
F04S11-F04S11-...	80	4	M5	50	11	45	45	17	11	14.1	11
F05S14-F03S9-...	100	5	M6	60	15	50	40	14	9	12.1	14
F05S14-F04S11-...	100	5	M6	60	15	50	45	17	11	14.1	14
F05S14-F05S14-...	100	5	M6	60	15	50	50	21	14	18.1	14
F07S17-F04S11-...	100	5	M8	60	18	70	45	17	11	14.1	17
F07S17-F05S14-...	100	5	M8	60	18	70	50	21	14	18.1	17
F07S17-F07S14-...	100	5	M8	60	18	70	70	21	14	18.1	17
F10S22-F05S14-...	120	5	M10	80	22.5	95	50	21	14	18.1	22
F10S22-F07S17-...	120	5	M10	80	22.5	95	70	26	17	22.2	22
F10S22-F10S22-...	120	5	M10	80	22.5	95	95	33	22	28.2	22

## Accessories

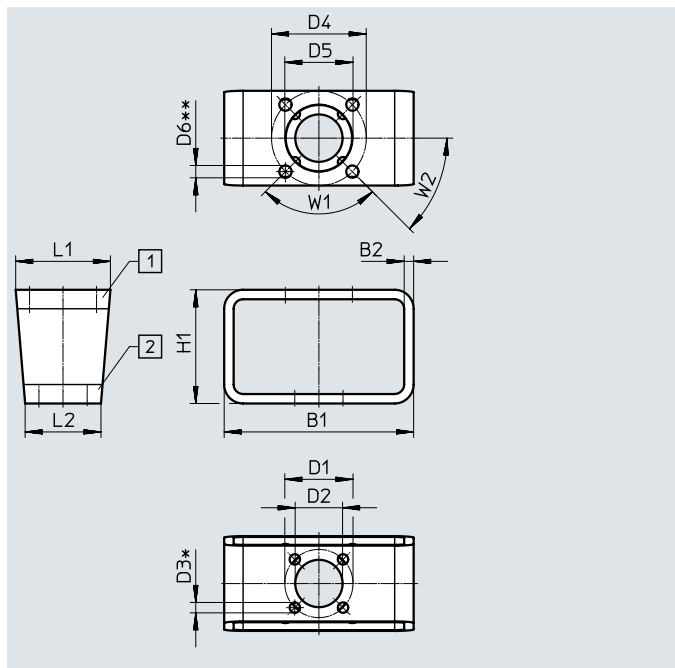
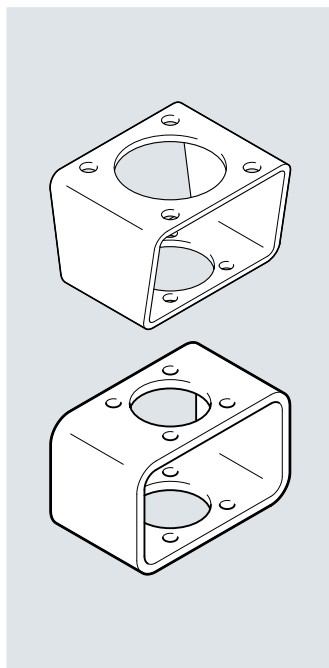
Ordering data	Connection		Weight/piece [g]	Part no.	Type	PU <sup>1)</sup>
	Drive outlet	Reducing outlet				
<b>DARQ-K-V... (female square and male square)</b>						
	SW9	SW9	392	8084186	DARQ-K-V-F03S9-F03S9-R13	1
	SW11	SW9	410	8084187	DARQ-K-V-F04S11-F03S9-R13	
	SW11	SW11	480	8084188	DARQ-K-V-F04S11-F04S11-R13	
	SW14	SW9	630	8084189	DARQ-K-V-F05S14-F03S9-R13	
	SW14	SW11	725	8084190	DARQ-K-V-F05S14-F04S11-R13	
	SW14	SW14	830	8084191	DARQ-K-V-F05S14-F05S14-R13	
	SW17	SW9	866	8132814	DARQ-K-V-F07S17-F03S9-R13	
	SW17	SW11	823	8084192	DARQ-K-V-F07S17-F04S11-R13	
	SW17	SW14	926	8084193	DARQ-K-V-F07S17-F05S14-R13	
	SW17	SW14	980	8084194	DARQ-K-V-F07S17-F07S14-R13	
	SW22	SW11	986	8084195	DARQ-K-V-F07S22-F05S11-R13	
	SW22	SW11	1410	8133487	DARQ-K-V-F10S22-F04S11-R13	
	SW22	SW14	1432	8084196	DARQ-K-V-F10S22-F05S14-R13	
	SW22	SW17	2045	8084197	DARQ-K-V-F10S22-F07S17-R13	
	SW22	SW22	2113	8084198	DARQ-K-V-F10S22-F10S22-R13	
	SW27	SW14	1935	8084199	DARQ-K-V-F10S27-F05S14-R13	
	SW27	SW17	2116	8084200	DARQ-K-V-F10S27-F07S17-R13	
	SW27	SW14	2134	8086439	DARQ-K-V-F10S27-F07S14-R13	
	SW27	SW14	2728	8133486	DARQ-K-V-F12S27-F05S14-R13	
	SW27	SW14	2655	8131545	DARQ-K-V-F12S27-F07S14-R13	
SW27	SW17	2615	8084201	DARQ-K-V-F12S27-F07S17-R13		
SW27	SW22	2753	8084202	DARQ-K-V-F12S27-F10S22-R13		
SW27	SW27	3552	8084203	DARQ-K-V-F12S27-F12S27-R13		
<b>DARQ-K-Z... (dual flat and male square)</b>						
	A/F 9 mm	A/F 9 mm	385	8085017	DARQ-K-Z-F03S9-F03S9-R13	1
	A/F 11 mm	A/F 9 mm	400	8085016	DARQ-K-Z-F04S11-F03S9-R13	
	A/F 11 mm	A/F 11 mm	465	8085018	DARQ-K-Z-F04S11-F04S11-R13	
	A/F 14 mm	A/F 9 mm	620	8085019	DARQ-K-Z-F05S14-F03S9-R13	
	A/F 14 mm	A/F 11 mm	710	8085020	DARQ-K-Z-F05S14-F04S11-R13	
	A/F 14 mm	A/F 14 mm	795	8085021	DARQ-K-Z-F05S14-F05S14-R13	
	A/F 17 mm	A/F 11 mm	810	8085022	DARQ-K-Z-F07S17-F04S11-R13	
	A/F 17 mm	A/F 14 mm	890	8085023	DARQ-K-Z-F07S17-F05S14-R13	
	A/F 17 mm	A/F 14 mm	945	8085024	DARQ-K-Z-F07S17-F07S14-R13	
	A/F 22 mm	A/F 22 mm	1980	8085025	DARQ-K-Z-F10S22-F10S22-R13	
	A/F 22 mm	A/F 14 mm	1396	8085026	DARQ-K-Z-F10S22-F05S14-R13	
	A/F 22 mm	A/F 17 mm	1970	8085027	DARQ-K-Z-F10S22-F07S17-R13	

1) Packaging unit

## Accessories

### Mounting adapter DARQ

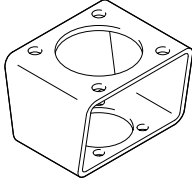
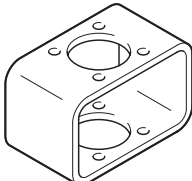
- Connection 1, function: drive outlet
- Connection 2, function: reducing outlet
- Material: Galvanised steel
- RoHS-compliant
- Contains paint-wetting impairment substances



Dimensions	B1	B2	D1 ∅	D2 ∅	D3 ∅	D4 ∅	D5 ∅	D6 ∅	H1	L1	L2	*N1	**N2	W1	W2
DARQ-B-...															
F03-F03-...	80	4	36	25	5.5	36	25	5.5	50	40	40	4	4	90°	45°
F04-F03-...	80	4	36	25	5.5	42	30	5.5	50	45	40	4	4	90°	45°
F04-F04-...	80	4	42	30	5.5	42	30	5.5	50	45	45	4	4	90°	45°
F05-F03-...	100	5	36	25	5.5	50	35	6.5	60	50	40	4	4	90°	45°
F05-F04-...	100	5	42	30	5.5	50	35	6.5	60	50	45	4	4	90°	45°
F05-F05-...	100	5	50	35	6.5	50	35	6.5	60	50	50	4	4	90°	45°
F07-F04-...	100	5	42	30	5.5	70	55	9	60	70	45	4	4	90°	45°
F07-F05-...	100	5	50	35	6.5	70	55	9	60	70	50	4	4	90°	45°
F07-F07-...	100	5	70	55	9	70	55	9	60	70	70	4	4	90°	45°
F10-F05-...	120	5	50	35	6.5	102	70	11	80	95	50	4	4	90°	45°
F10-F07-...	120	5	70	55	9	102	70	11	80	95	70	4	4	90°	45°
F10-F10-...	120	5	102	70	11	102	70	11	80	95	95	4	4	90°	45°
F12-F07-...	160	6	70	55	9	125	85	13	80	115	70	4	4	90°	45°
F12-F10-...	160	6	102	70	11	125	85	13	80	115	95	4	4	90°	45°
F12-F12-...	160	6	125	85	13	125	85	13	80	115	115	4	4	90°	45°
F14-F10-...	160	6	102	70	11	140	100	17	80	135	95	4	4	90°	45°
F14-F12-...	160	6	125	85	13	140	100	17	80	135	115	4	4	90°	45°
F14-F14-...	160	6	140	100	17	140	100	17	80	135	135	4	4	90°	45°
F16-F12-...	200	6	125	85	13	165	130	21	100	160	115	4	4	90°	45°
F16-F14-...	200	6	140	100	17	165	130	21	100	160	135	4	4	90°	45°
F16-F16-...	200	6	165	130	21	165	130	21	100	160	160	4	4	90°	45°
F25-F14-...	400	10	140	100	17	254	200	17	200	270	135	8	4	45°	22.5°
F25-F16-...	400	10	165	130	21	254	200	17	200	270	160	8	4	45°	22.5°
F25-F25-...	400	10	254	200	17	254	200	17	200	270	270	8	4	45°	22.5°
F30-F16-...	400	10	165	130	21	298	230	21	200	320	160	8	4	45°	22.5°
F30-F25-...	400	10	254	200	17	298	230	21	200	320	270	8	4	45°	22.5°
F30-F30-...	400	10	298	200	21	298	230	21	200	320	320	8	4	45°	22.5°



## Accessories

Ordering data	Connection		CRC <sup>1)</sup>	Weight/piece [g]	Part no.	Type	PU <sup>2)</sup>		
	Drive outlet	Reducing outlet							
	Hole pattern 04	Hole pattern 03	2	270	8082978	DARQ-B-F04-F03-R13	1		
	Hole pattern 05	Hole pattern 03		442	8082980	DARQ-B-F05-F03-R13			
	Hole pattern 05	Hole pattern 04		461	8082981	DARQ-B-F05-F04-R13			
	Hole pattern 07	Hole pattern 04		514	8082983	DARQ-B-F07-F04-R13			
	Hole pattern 07	Hole pattern 05		530	8082984	DARQ-B-F07-F05-R13			
	Hole pattern 10	Hole pattern 05		836	8082986	DARQ-B-F10-F05-R13			
	Hole pattern 10	Hole pattern 07		920	8082987	DARQ-B-F10-F07-R13			
	Hole pattern 12	Hole pattern 07		1504	8082989	DARQ-B-F12-F07-R13			
	Hole pattern 12	Hole pattern 10		1688	8082990	DARQ-B-F12-F10-R13			
	Hole pattern 14	Hole pattern 10		1775	8082992	DARQ-B-F14-F10-R13			
	Hole pattern 14	Hole pattern 12		1889	8082993	DARQ-B-F14-F12-R13			
	Hole pattern 16	Hole pattern 12		2648	8082995	DARQ-B-F16-F12-R13			
	Hole pattern 16	Hole pattern 14		2792	8082996	DARQ-B-F16-F14-R13			
	Hole pattern 25	Hole pattern 14		14734	8082998	DARQ-B-F25-F14-R13			
	Hole pattern 25	Hole pattern 16		15384	8082999	DARQ-B-F25-F16-R13			
	Hole pattern 30	Hole pattern 16		16740	8083001	DARQ-B-F30-F16-R13			
	Hole pattern 30	Hole pattern 25		20250	8083002	DARQ-B-F30-F25-R13			
		Hole pattern 05		Hole pattern 04	2305	8083005		DARQ-B-F05-F04-R13-P5	5
		Hole pattern 07		Hole pattern 05	2650	8083007		DARQ-B-F07-F05-R13-P5	
		Hole pattern 10		Hole pattern 07	4600	8083009		DARQ-B-F10-F07-R13-P5	
Hole pattern 03		Hole pattern 03	260	8082977	DARQ-B-F03-F03-R13	1			
Hole pattern 04		Hole pattern 04	275	8082979	DARQ-B-F04-F04-R13				
Hole pattern 05		Hole pattern 05	478	8082982	DARQ-B-F05-F05-R13				
Hole pattern 07		Hole pattern 07	583	8082985	DARQ-B-F07-F07-R13				
Hole pattern 10		Hole pattern 10	1037	8082988	DARQ-B-F10-F10-R13				
Hole pattern 12		Hole pattern 12	1802	8082991	DARQ-B-F12-F12-R13				
Hole pattern 14		Hole pattern 14	1976	8082994	DARQ-B-F14-F14-R13				
Hole pattern 16	Hole pattern 16	2844	8082997	DARQ-B-F16-F16-R13					
Hole pattern 25	Hole pattern 25	18895	8083000	DARQ-B-F25-F25-R13					
Hole pattern 30	Hole pattern 30	21644	8083003	DARQ-B-F30-F30-R13					
	Hole pattern 04	Hole pattern 04	1375	8083004	DARQ-B-F04-F04-R13-P5	5			
	Hole pattern 05	Hole pattern 05	2390	8083006	DARQ-B-F05-F05-R13-P5				
	Hole pattern 07	Hole pattern 07	2915	8083008	DARQ-B-F07-F07-R13-P5				
	Hole pattern 10	Hole pattern 10	5185	8083010	DARQ-B-F10-F10-R13-P5				

1) Corrosion resistance class CRC 2 to Festo standard FN 940070

Moderate corrosion stress. Indoor applications in which condensation can occur. External visible parts with primarily decorative surface requirements which are in direct contact with a normal industrial environment.

2) Packaging unit

# Festo - Your Partner in Automation



**1 Festo Inc.**  
5300 Explorer Drive  
Mississauga, ON L4W 5G4  
Canada

**Festo Customer Interaction Center**  
Tel: 1 877 463 3786  
Fax: 1 877 393 3786  
Email: [customer.service.ca@festo.com](mailto:customer.service.ca@festo.com)

**2 Festo Pneumatic**  
Av. Ceylán 3,  
Col. Tequesquináhuac  
54020 Tlalnepantla,  
Estado de México

**Multinational Contact Center**  
01 800 337 8669  
[ventas.mexico@festo.com](mailto:ventas.mexico@festo.com)

**3 Festo Corporation**  
1377 Motor Parkway  
Suite 310  
Islandia, NY 11749

**Festo Customer Interaction Center**  
1 800 993 3786  
1 800 963 3786  
[customer.service.us@festo.com](mailto:customer.service.us@festo.com)

**4 Regional Service Center**  
7777 Columbia Road  
Mason, OH 45040

Connect with us



[www.festo.com/socialmedia](http://www.festo.com/socialmedia)



[www.festo.com](http://www.festo.com)

Subject to change