

# Mass flow controller VEFC

**FESTO**



### Characteristics

#### At a glance

##### Description:

- The low-noise piezo technology consumes minimal energy, has compact dimensions and is suitable for a wide range of applications

##### Benefits:

- Very low power consumption
- High dynamic response
- Very low self-heating
- Completely silent
- Excellent price/performance ratio
- Sturdy and durable
- Linear control behaviour
- Small installation space and low weight

##### Operating mode:

- VEFC is a flow control valve. The flow rate is controlled in a closed control loop.
- The setpoint value for the flow rate can be specified via an analogue interface, and the current actual value is also fed back in analogue form.
- The flow rate is measured using the differential pressure method.

##### Range of applications:

- The proportional flow control valve VEMD is used to control the flow rate of air and inert gases proportionally in relation to a given setpoint value.
- A filter may need to be installed downstream for applications with special requirements, for example with regard to technical cleanliness and being free from particles.

## Type code

001	Series
VEFC	Mass flow controller
002	Directional control valve type
L	In-line valve
003	Valve function
6	2/2-way valve, normally closed
004	Flow rate range
200	200 l/min
005	Pressure range
D31	3 ... 7 bar

006	Pneumatic connection 1
G14	G1/4
R14	R1/4
007	Pneumatic connection 2
G14	G1/4
R14	R1/4
008	Bus protocol/activation
MR	analog
009	Electrical connection
M1	Multi-pin with SUB-D plug

## Datasheet

### General technical data

Pneumatic connection, port 1	G1/4 R1/4
Pneumatic connection, port 2	G1/4 R1/4
Valve function	2-way proportional flow control valve
Type of actuation	Electric
Flow direction	Non-reversible
Display type	LED
Reverse polarity protection	For operating voltage
Protection against direct and indirect contact	PELV
Product weight	250 g
Dimensions (W x L x H)	24 mm x 130 mm x 97.1 mm
Suitability for the production of Li-ion batteries	Metals with more than 5% by mass of copper, zinc or nickel by mass are excluded from use. Exceptions are nickel in steel, chemically nickel-plated surfaces, printed circuit boards, cables, electrical plug connectors and coils
Instructions on use	The product is suitable for industrial purposes only. Measures to eliminate radio interference may be required in residential areas., For indoor use only

### Electrical data

Nominal operating voltage DC	24 V
Operational voltage range DC	24 V
Max. current consumption	55 mA
Max. electrical power consumption	1.3 W
Overvoltage category	II
Residual ripple	± 10%
Setpoint value input	0 - 10 V 4 - 20 mA
Buffer time for voltage failure of logic supply	10 ms
Electrical connection 1, function	Power supply
Electrical connection 1, connection type	Socket
Electrical connection 1, connector system	Sub-D
Electrical connection 1, number of connections/cores	9

## Datasheet

### Operating and ambient conditions

Operating medium	Compressed air to ISO 8573-1:2010 [7:4:4] Inert gases
Operating pressure	0.6 MPa
Operating pressure	6 bar
Overload pressure	0.8 MPa
Overload pressure	8 bar
Burst pressure	1.4 MPa
Burst pressure	14 bar
Inlet pressure 1	0.3 ... 0.7 MPa
Inlet pressure 1	3 ... 7 bar
Flow rate control range	10 ... 200 l/min
Degree of protection	IP20
Relative air humidity	5 - 85% Non-condensing
Climatic category	3K22 to EN 60721
Nominal altitude of use	<= 2000 m NHN
Media temperature	15 ... 35°C
Ambient temperature	15 ... 35°C
Storage temperature	-20 ... 50°C
Total accuracy	2.5% FS
Reproducibility	0.75 %FS
Linearity	1.5 %FS
Hysteresis	1 %FS
Pollution degree	2
Approval	RCM trademark
CE mark (see declaration of conformity)	To EU EMC Directive In accordance with EU RoHS Directive
CE marking (see declaration of conformity)	To UK instructions for EMC To UK RoHS instructions
KC mark	KC-EMV
KC Approval No. EMC/Radio	R-R-FTO-KC-2024-1003
LABS (PWIS) conformity	VDMA24364 zone III

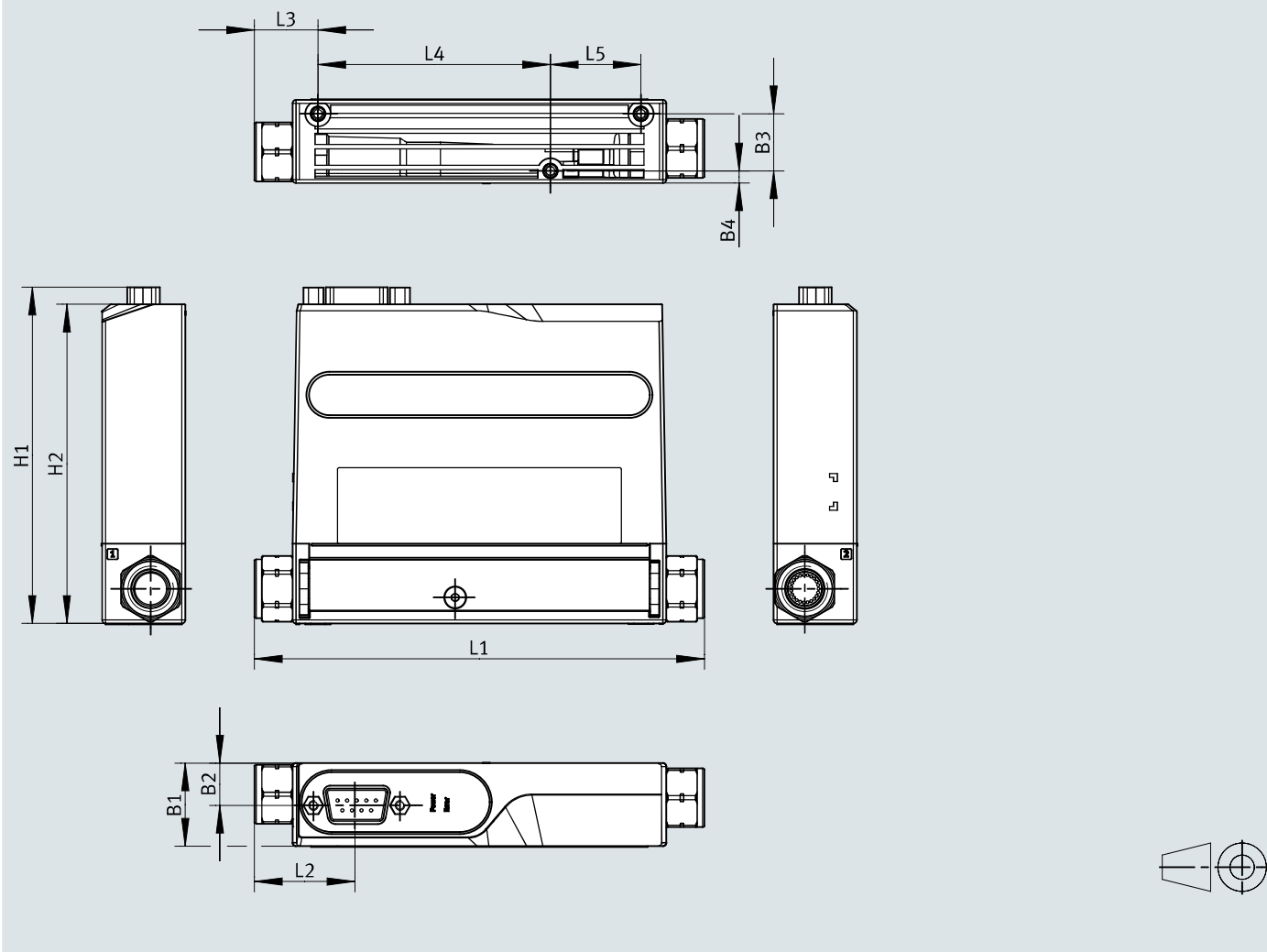
### Materials

Material seals	HNBR NBR
Note on materials	RoHS-compliant
Fire test material	UL94 HB

## Dimensions

Dimensions – Mass flow controller VEFC

Download CAD data [www.festo.com](http://www.festo.com)

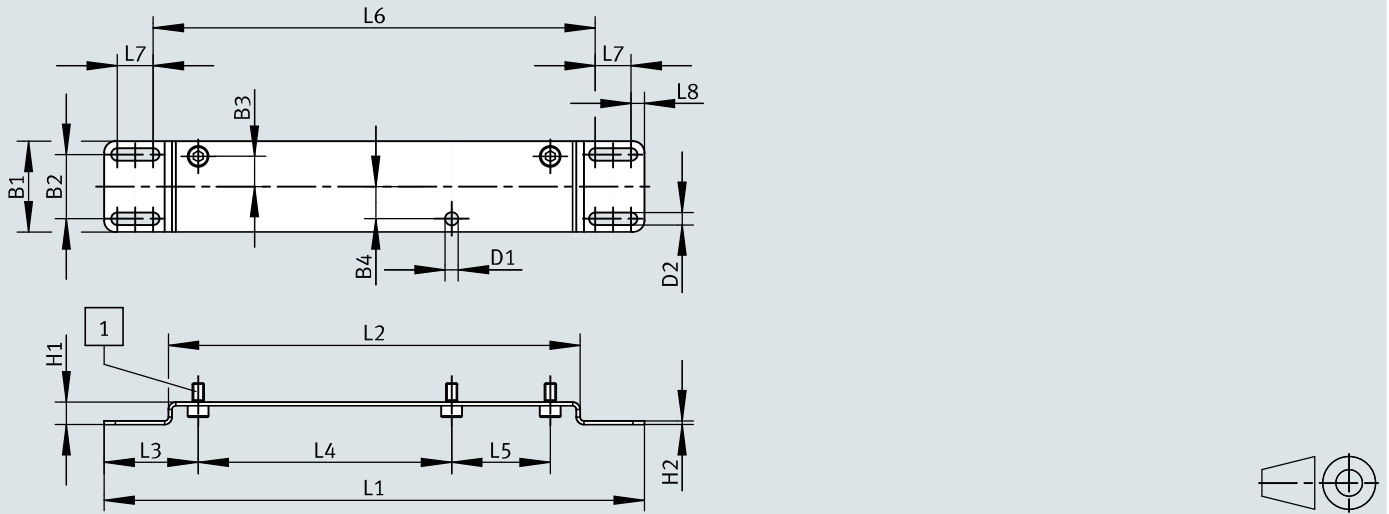


	B1	B2	B3	B4	H1	H2	L1	L2	L3	L4	L5
VEFC-L-6-200-D31-G14-G14-MRM1	24	12,2	16,5	3,5	97,1	92,2	130	29	18,4	67,2	26,2
VEFC-L-6-200-D31-R14-R14-MRM1	24	12,2	16,5	3,5	97,1	92,2	130	29	18,4	67,2	26,2

## Dimensions

Dimensions – Mounting kit VAME

Download CAD data [www.festo.com](http://www.festo.com)




[1] M3x6 screw

	B1	B2	B3	B4	D1 ∅	D2	H1	H2	L1	L2	L3	L4	L5	L6	L7	L8
	±0.1							±0.1	±0.3							
VAME-P20-24-K	24	17	8	8,5	3,5	3,3	6	1	143	109	249	67,1	26,1	119	9,5	3,5

Ordering data

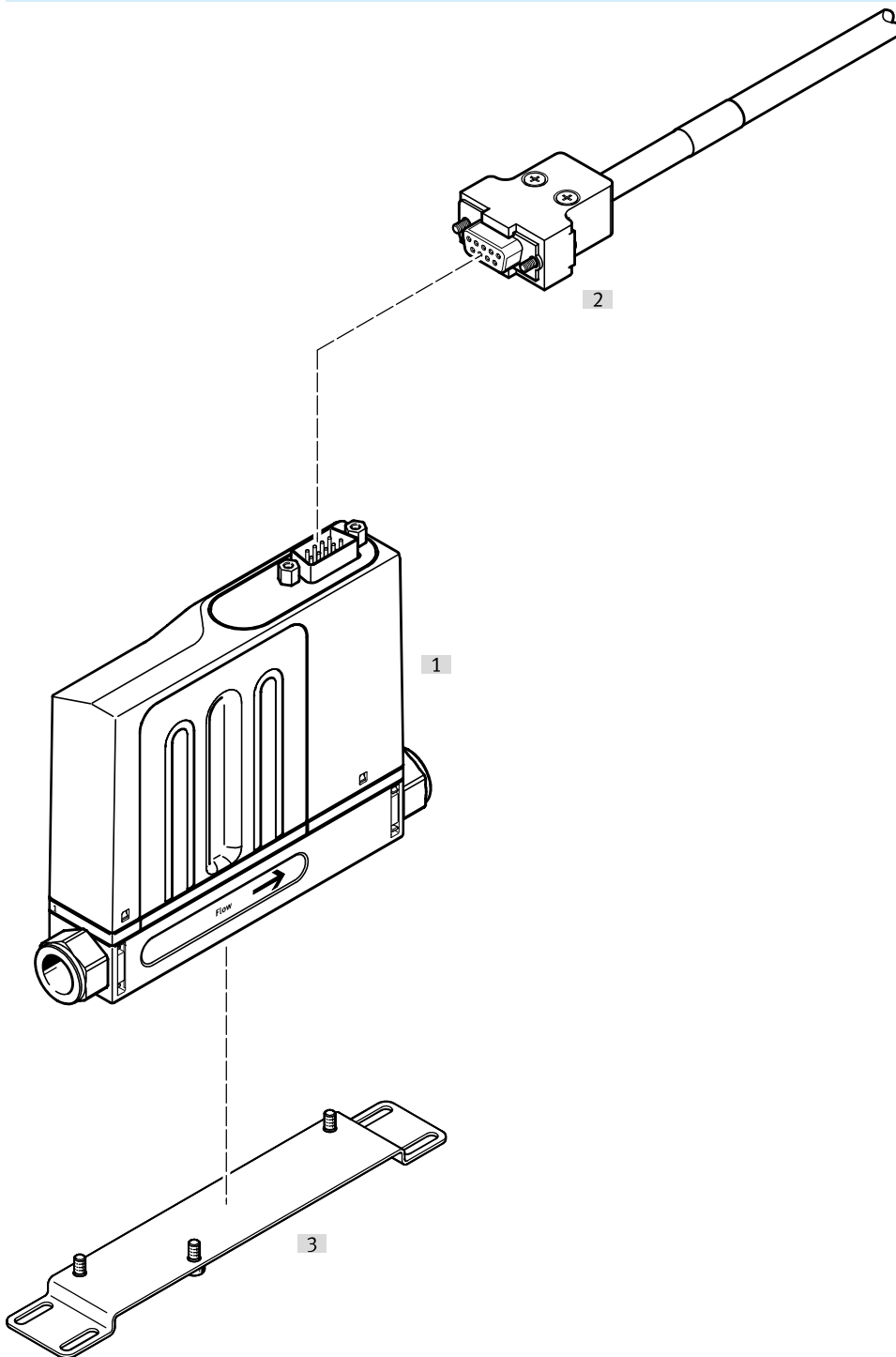
[Link](#) 

Mass flow controller VEFC	Pneumatic connection, port 1	Pneumatic connection, port 2	Part no.	Type
	G1/4	G1/4	<b>8204587</b>	<b>VEFC-L-6-200-D31-G14-G14-MRM1</b>
	R1/4	R1/4	<b>8204588</b>	<b>VEFC-L-6-200-D31-R14-R14-MRM1</b>



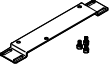
## Peripherals

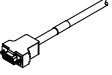
### Peripherals overview



Accessories		→ Link
Type/order code	Description	
[1] Mass flow controller	VEFC	<a href="#">vefc</a>
[2] Connecting cable	KMP6-09P-8-...	10
[3] Mounting kit	VAME-P20-24-K	10

Accessories

Mounting kit	Dimensions (W x L x H)	Product weight	Part no.	Type
	24 mm x 143 mm x 6 mm	12 g	<b>8210178</b>	<b>VAME-P20-24-K</b>

Connecting cable	Product weight	Cable length	Part no.	Type
	248 g	2.5 m	<b>531184</b>	<b>KMP6-09P-8-2,5</b>
	454 g	5 m	<b>531185</b>	<b>KMP6-09P-8-5</b>
	864 g	10 m	<b>531186</b>	<b>KMP6-09P-8-10</b>