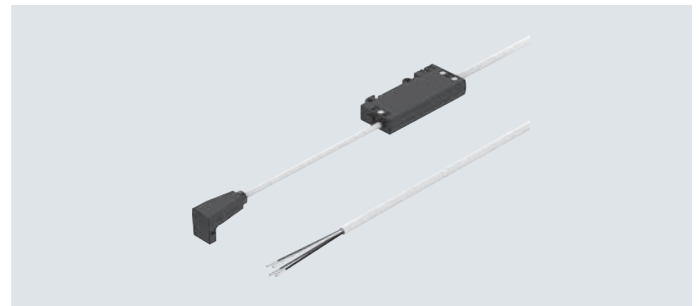


## Data sheet

### Electronics modules VAVE

- For the electrical control of piezo valves VEMP and VEMC
- For the electrical control of piezo valves VEMR and VEAE via an adapter of type NEFV-V13/NEFV-V14
- With protective circuit
- Cable length 0.5 m



General technical data		
Operating voltage range	[V DC]	12 ... 24
Product weight	[g]	35
Type of mounting		With H-rail
		Via through-hole
Mounting position		Any
Degree of protection		IP40
Protective earth connection		Not provided
Additional functions		Protective circuit
Power consumption at 24 V DC	[W]	1.2
Max. output current	[mA]	5
Adjustable output voltage	[V DC]	0 ... 310
Nominal operating voltage	[V DC]	12 ... 24
Reverse polarity protection		For operating voltage
Voltage of external setpoint input	[V DC]	0 ... 10
Input resistance	[kΩ]	10
Maximum tightening torque	[Ncm]	52.5
Bending radius, fixed cable installation	[mm]	13.5
Bending radius, flexible cable installation	[mm]	45

Technical data – Electrical connection 1	
Connection type	Socket
Function	Field device side
Design	Rectangular
Connection technology	Festo-specific coding
Number of pins/wires	3
Assigned pins/wires	3
Type of mounting	Plug-in

Technical data – Electrical connection 2	
Connection type	Cable
Function	Controller side
Cable outlet	Straight
Number of pins/wires	4
Assigned pins/wires	4
Cable diameter	[mm] 4.5
Wire ends	Wire end sleeve

## Data sheet

Materials	
Housing	PA
Housing colour	Black
Cable sheath	PVC
Note on materials	RoHS-compliant
Information about materials: Cover	PA

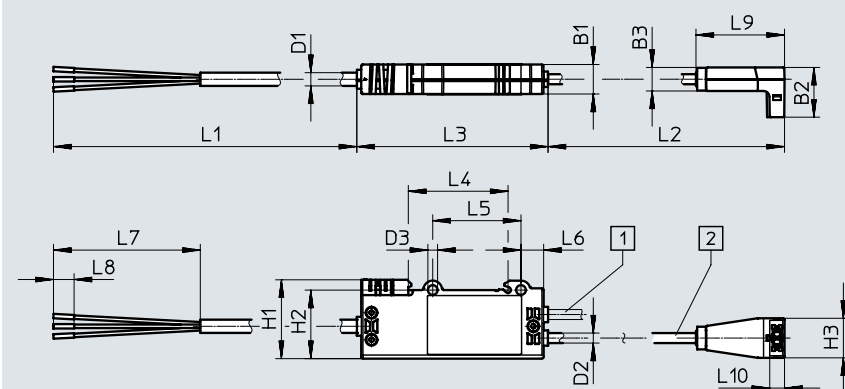
Operating and environmental conditions	
Ambient temperature [°C]	-10 ... +60
Storage temperature [°C]	-40 ... +80
Corrosion resistance class CRC <sup>1)</sup>	1
CE marking (see declaration of conformity) <sup>2)</sup>	To EU EMC Directive
UKCA marking (see declaration of conformity) <sup>2)</sup>	To UK instructions for EMC
KC mark	KC EMC
Certification	RCM

- 1) Corrosion resistance class CRC 1 to Festo standard FN 940070  
 Low corrosion stress. Dry indoor application or transport and storage protection. Also applies to parts behind covers, in the non-visible interior area, and parts which are covered in the application (e.g. drive trunnions).
- 2) For information about the area of use, see the EC declaration of conformity at: [www.festo.com/catalogue/...](http://www.festo.com/catalogue/...) → Support/Downloads.  
 If the devices are subject to usage restrictions in residential, commercial or light-industrial environments, further measures for the reduction of the emitted interference may be necessary.

Wiring allocation (socket view)						
Electrical connection 1	Pin	Function	VEAE	VEMR	VEMC	Output [V DC]
<b>VAVE-P12-TP-5YL1-P</b>						
	1	Earth	Earth	Earth	-	0
	2	Piezo actuator 1	Piezo valve 1	Piezo valve 1	-	0 ... 310
	3	Piezo actuator 2	Piezo valve 2	Piezo valve 2	-	0 ... 310
<b>VAVE-P17-TP-5YL1-P</b>						
	1	-	-	-	Piezo actuator 1	0 ... 310
	2	-	-	-	Earth	0
	3	-	-	-	Piezo actuator 2	0 ... 310

### Dimensions

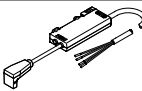
Download CAD data → [www.festo.com](http://www.festo.com)



- [1] VAVE-P17 (VEMC only)  
 [2] VAVE-P12 (VEMP, VEAE, VEMR only)

Type	B1	B2	B3	D1 ∅	D2 ∅	D3 ∅	H1	H2	H3	L1	L2	L3	L4	L5	L6	L7	L8	L9
VAVE-P12-TP-5YL1-P	10	16.9	8	4.5	3.4	3.4	26.8	23.3	13.5	500	130	65	33.9	30	7.7	50	7	30
VAVE-P17-TP-5YL1-P																		

## Data sheet

Ordering data	Description	Part no.	Type
	<ul style="list-style-type: none"> <li>• For the electrical control of piezo valve VEMP</li> <li>• For the electrical control of piezo valves VEMR and VEAE via an adapter of type NEFV-V13/NEFV-V14</li> </ul>	<b>8109875</b>	<b>VAVE-P12-TP-5YL1-P</b>
	<ul style="list-style-type: none"> <li>• For the electrical control of piezo valve VEMC</li> </ul>	<b>8109876</b>	<b>VAVE-P17-TP-5YL1-P</b>

# Festo - Your Partner in Automation



**1 Festo Inc.**  
5300 Explorer Drive  
Mississauga, ON L4W 5G4  
Canada

**Festo Customer Interaction Center**  
Tel: 1 877 463 3786  
Fax: 1 877 393 3786  
Email: [customer.service.ca@festo.com](mailto:customer.service.ca@festo.com)



**2 Festo Pneumatic**  
Av. Ceylán 3,  
Col. Tequesquináhuac  
54020 Tlalnepantla,  
Estado de México

**Multinational Contact Center**  
01 800 337 8669  
[ventas.mexico@festo.com](mailto:ventas.mexico@festo.com)



**3 Festo Corporation**  
1377 Motor Parkway  
Suite 310  
Islandia, NY 11749

**Festo Customer Interaction Center**  
1 800 993 3786  
1 800 963 3786  
[customer.service.us@festo.com](mailto:customer.service.us@festo.com)



**4 Regional Service Center**  
7777 Columbia Road  
Mason, OH 45040

Connect with us



[www.festo.com/socialmedia](http://www.festo.com/socialmedia)



[www.festo.com](http://www.festo.com)

Subject to change