

Suction cups with connector VAS/VASB

FESTO



Festo Core Range
Solves the majority of your automation tasks

With the Festo Core Range, we have selected the most important products and functions from our broad product catalogue, and added the quickest delivery.

Worldwide: Quickest delivery – wherever, whenever
Simply good: Expected high Festo quality
Fast: Easy and fast to select

The Core Range offers you the best value for your automation tasks.

Just look
for the
star!

Key features

Product overview

Suction grippers from Festo offer outstanding functionality and quality. An extensive, modular range of suction cups with connection attachments, in different shapes, materials and sizes, as well as plus a selection of suction cup holders, angle and height compensators and vacuum filters within the modular suction gripper system, provide users with a huge choice of possible combinations for a wide variety of applications.

Vacuum suction grippers ESG

Datasheets → Internet: [esg](#)

Modular products with over 2000 variants



- The ideal solution for transporting workpieces with different weights, surfaces and shapes
- Choose from:
 - 15 suction cup diameters
 - 6 different materials – including anti-static ones
 - 6 suction cup shapes
 - Numerous suction cup holders
 - Optional accessories (vacuum filters and angle compensators)
- Wide range of variants
- A suitable solution for every task
- Wide range to suit applications with various temperature ranges and workpiece surfaces
- Suction cups made from silicone are food-safe

Suction cups with connector VAS/VASB

Sturdy and reliable



- The ideal solution for transporting workpieces with different weights, surfaces and shapes
- Choose from:
 - 11 suction cup diameters
 - 2 suction cup shapes: round and protective-bellows design with 1.5 convolutions
 - 3 materials: nitrile rubber, polyurethane and silicone for use in a wide variety of applications
- Wide range to suit applications with various temperature ranges and workpiece surfaces
- Suction cups made from silicone are food-safe
- All tubing connection sizes correspond to a holder size

Key features

Suction cups with fixed connecting thread

- VAS: \varnothing 2 ... 125 mm
VASB: \varnothing 8 ... 125 mm
- Picking up workpieces with smooth, impermeable surfaces
- Bellows-type suction cups can adapt to suit uneven, curved and inclined surfaces

Nitrile rubber (NBR)

- Can be used universally

Polyurethane (PUR)

- Long service life
- Gentle handling owing to soft material

Silicone (SI)

- Excellent thermal resistance
- Suitable for use in the food industry



Accessories

Vacuum security valve ISV

Datasheets → Internet: [isv](#)

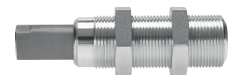
- Vacuum doesn't break down when multiple suction cups are arranged in parallel
- Saves compressed air and energy



Length compensator VAL

Datasheets → Internet: [val](#)

- Workpieces are handled gently thanks to compensation for tolerance differences in the workpiece thickness.



Elbow fitting LJK

Datasheets → Internet: [ljk](#)

- Rerouting the air connection
- Swivel joint can be rotated 360°



Adapter AD

Datasheets → Internet: [ad](#)

- For connecting suction cup and piston rod thread, for example



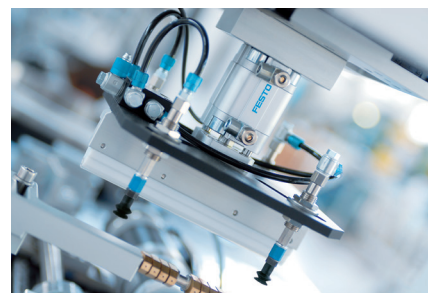
Vacuum technology can be used in a wide range of applications

- Lifting
- Equipping
- Moving
- Inserting
- Conveying
- Gripping
- Holding
- Stacking
- Clamping
- Transporting
- Repositioning
- Turning


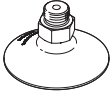



A large area of application for vacuum technology is flexible automation:

- Producing small, medium and large batches
- Mounting
- Conveyor and packaging technology



Product range overview

Suction cup shape	Version	Type	Suction cup \varnothing	Type of mounting	Vacuum connection	Suction cup materials	→ Page/ Internet
Round, flat	Vacuum connection on the side						
		VAS	8	M5	PK-3	TPE-U(PU)	6
	Vacuum connection on top						
		VAS	2, 5, 8, 10, 15, 30, 40, 55, 75, 100, 125	M3, M5, G1/8, G1/4, G3/8	M3, M5, G1/8, G1/4, G3/8	NBR	8
		8, 10, 15, 30, 40, 55, 75, 100, 125	M5, G1/8, G1/4, G3/8	M5, G1/8, G1/4, G3/8	VMQ (silicone)	11	
		8, 10, 15, 30, 40, 55, 75, 100, 125	M5, G1/8, G1/4, G3/8	M5, G1/8, G1/4, G3/8	PUR	11	
Round, protective bellows with 1.5 convolutions	Vacuum connection on top						
		VASB	8, 15, 30, 40, 55, 75, 100, 125	M5, G1/8, G1/4, G3/8	M5, G1/8, G1/4, G3/8	NBR	14
			8, 15, 30, 40, 55, 75, 100, 125	M5, G1/8, G1/4, G3/8	M5, G1/8, G1/4, G3/8	VMQ (silicone)	17
		8, 15, 30, 40, 55, 75, 100, 125	M5, G1/8, G1/4, G3/8	M5, G1/8, G1/4, G3/8	PUR	17	

Type codes

001	Series
VAS	Suction cup complete
VASB	Suction cup complete

002	Suction cup size
2	2 mm diameter
5	5 mm diameter
8	8 mm diameter
10	10 mm diameter
15	15 mm diameter
30	30 mm diameter
40	40 mm diameter
55	55 mm diameter
75	75 mm diameter
100	100 mm diameter
125	125 mm diameter

003	Vacuum port
G14	G1/4
G18	G1/8
G38	G3/8
M3	M3
M5	M5



004	Connection position
	Top
S	On the side

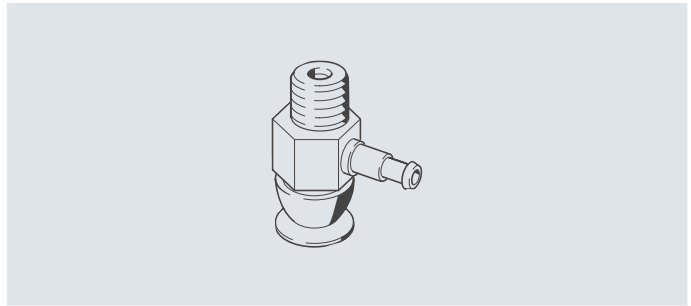
005	Material
PUR	Polyurethane
NBR	Nitrile rubber
SI	Silicone

006	Special material properties
	None
F1A	Recommended for production facilities for the manufacture of lithium-ion batteries

007	
	Standard
B	B-series

Datasheet

-  Diameter
8 mm
-  Temperature range
-20 ... +60°C



General technical data

Suction cup \varnothing	[mm]	8
Vacuum connection		PK-3
Connection position		On the side
Nominal width	[mm]	2
Suction cup shape		Round, flat
Type of mounting		M5
Mounting position		Any
Nominal operating pressure	[MPa]	-0.07
	[bar]	-0.7
	[psi]	-10.15
Holding force at nominal operating pressure -0.7 bar	[N]	2.8
Effective suction cup diameter	[mm]	7.1
Suction cup volume	[cm ³]	0.095

Operating and environmental conditions

Operating pressure	[MPa]	-0.095 ... 0
	[bar]	-0.95 ... 0
	[psi]	-13.775 ... 0
Operating medium		Atmospheric air based on ISO 8573-1:2010 [7:-:-]
Ambient temperature	[°C]	-20 ... +60
Corrosion resistance class CRC ¹⁾		2 - Moderate corrosion stress

1) More information: www.festo.com/x/topic/crc

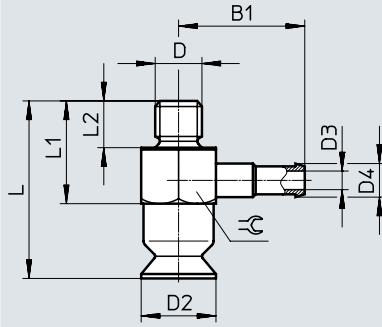
Materials

Shore hardness		60 ±5
Suction cup with connector		TPE-U(PU) Colour: blue
Screwed trunnion		Brass
Note on materials		RoHS-compliant
LABS (PWIS) conformity		VDMA24364-A1-L

Datasheet

Dimensions

Download CAD data → www.festo.com





Type	B1	D	D2 ∅	D3 ∅	D4 ∅	L	L1	L2 -0.1	⊖
VAS-8-...-S-PUR-B	13.5	M5	8	2	3.6	19	11.5	5	8

Ordering data

Suction cup ∅ [mm]	Vacuum connection	Weight [g]	Part no.	Type
8	PK-3	4	8025969	VAS-8-M5-S-PUR-B

Suction cup with connector VAS-...-NBR

Datasheet

-  Diameter
2 ... 125 mm
-  Temperature range
-20 ... +80°C



General technical data

Suction cup \varnothing	[mm]	2	5	8	10	15	30	40	55	75	100	125
Vacuum connection		M3	M5	M5	M5	G1/8	G1/8	G1/4	G1/4	G1/4	G1/4	G3/8
Connection position		On top										
Nominal width	[mm]	1	1.5	2	2	3	3	4	4	4	4	7
Suction cup shape		Round, flat										
Type of mounting		Via vacuum connection										
Mounting position		Any										
Nominal operating pressure	[MPa]	-0.07										
	[bar]	-0.7										
	[psi]	-10.15										
Holding force at nominal operating pressure -0.7 bar	[N]	0.14	0.9	1.6	4.5	7.9	34	56	106	197	397	606
Effective suction cup diameter	[mm]	1.6	4	5.5	8	12	25	32	44	60	85	105
Suction cup volume	[cm ³]	0.03	0.03	0.095	0.12	0.328	1.29	3.47	8.01	18.3	33.5	79.1
Suction cup height compensator	[mm]	0.5	0.5	0.9	1.1	1.2	1.9	3	3.5	3.5	3.5	6

Operating and environmental conditions

Type		VAS-...-NBR
Operating pressure	[MPa]	-0.095 ... 0
	[bar]	-0.95 ... 0
	[psi]	-13.775 ... 0
Operating medium		Atmospheric air based on ISO 8573-1:2010 [7:-:-]
Ambient temperature	[°C]	-20 ... +80
Corrosion resistance class CRC ¹⁾		2 - Moderate corrosion stress

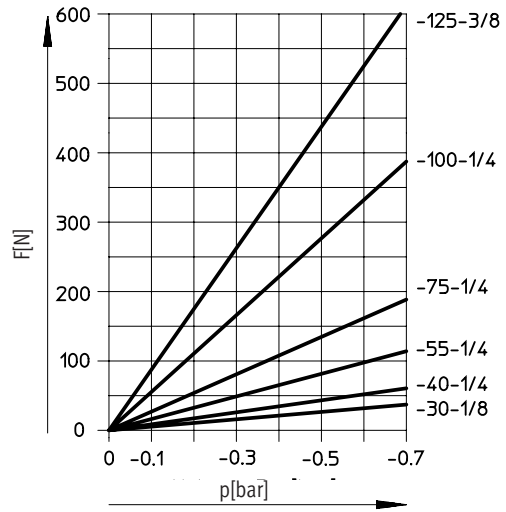
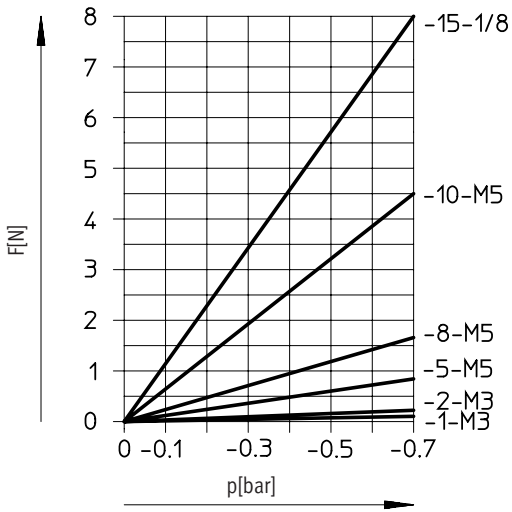
1) More information: www.festo.com/x/topic/crc

Materials

Type		VAS-...-NBR
Shore hardness		55 ±5 (suction cup \varnothing 2 ... 5 mm)
		60 ±5 (suction cup \varnothing 8 ... 15 mm)
		70 ±5 (suction cup \varnothing 30 ... 125 mm)
Suction cup with connector		NBR Colour: black
Screwed trunnion		High alloy steel (suction cup \varnothing 2 mm)
		Wrought aluminium alloy (suction cup \varnothing 5 and 10 mm)
		Brass (suction cup \varnothing 8, 15 and 30 mm)
		Die-cast zinc (suction cup \varnothing 40 ... 125 mm)
Note on materials		RoHS-compliant
LABS (PWIS) conformity		VDMA24364-A1-L

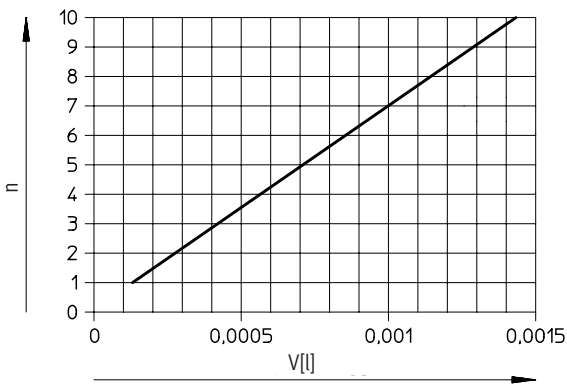
Datasheet

Theoretical suction force F as a function of vacuum p_u



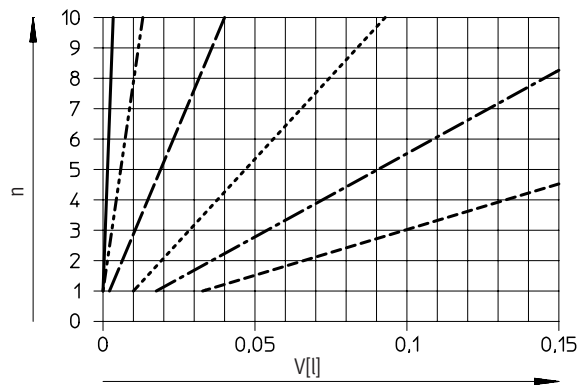
Suction cup volume

VAS-8



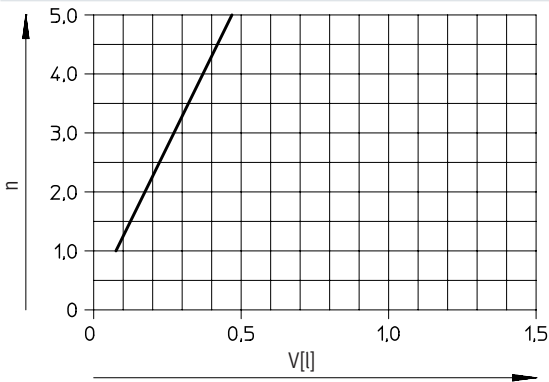
— VAS-8

VAS-15 ... 100



— VAS-15
 - · - · - · VAS-30
 - - - - VAS-40
 · · · · · VAS-55
 - - - - VAS-75
 - - - - VAS-100

VAS-125



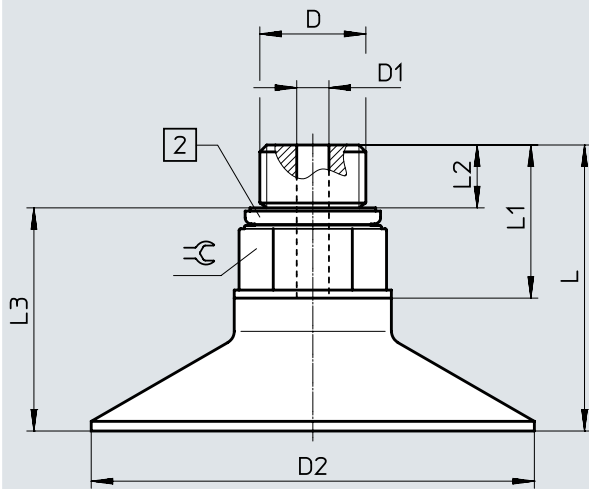
— VAS-125

Datasheet

Dimensions

Download CAD data → www.festo.com

VAS-...-NBR



[2] VAS-5/10: sealing ring OK
VAS-8/15 ... 125: sealing ring OL

Type	Connection D	D1 ∅	D2 ∅	L	L1	L2	L3	≙
VAS-2-...-NBR ¹⁾	M3	1	2	9.4	5.4	3.3	6.1	4.5
VAS-5-...-NBR	M5	2	5	16.5	10	3.8	12.7	8
VAS-8-...-NBR	M5	2	8	19	11.3	2.85	16.15	8
VAS-10-...-NBR	M5	2	10	19.2	11.5	3.8	15.4	8
VAS-15-...-NBR	G1/8	3	15	20.2	12	4.7	15.5	13
VAS-30-...-NBR	G1/8	3	30	21.5	12	4.7	16.8	13
VAS-40-...-NBR	G1/4	4	40	30.9	17.4	5.8	25.1	17
VAS-55-...-NBR	G1/4	4	55	33.9	17.4	5.8	28.1	17
VAS-75-...-NBR	G1/4	4	75	28	17	5.8	22.2	17
VAS-100-...-NBR	G1/4	4	100	28	17	5.8	22.2	17
VAS-125-...-NBR	G3/8	7	125	36	20	6.05	29.95	19

1) Sealing ring is not included in the scope of delivery.

★ Core Range



Ordering data

Suction cup ∅ [mm]	Vacuum connection	Weight [g]	Part no.	Type
30	G1/8	13	★ 34587	VAS-30-1/8-NBR

Ordering data

Suction cup ∅ [mm]	Vacuum connection	Weight [g]	Part no.	Type
2	M3	1	173438	VAS-2-M3-NBR
5	M5	2	173439	VAS-5-M5-NBR
8	M5	4	34588	VAS-8-M5-NBR
10	M5	3	173440	VAS-10-M5-NBR
15	G1/8	11	36142	VAS-15-1/8-NBR
40	G1/4	26	36143	VAS-40-1/4-NBR
55	G1/4	32	36144	VAS-55-1/4-NBR
75	G1/4	76	36145	VAS-75-1/4-NBR
100	G1/4	138	34586	VAS-100-1/4-NBR
125	G3/8	152	152605	VAS-125-3/8-NBR

Datasheet

-  Diameter
8 ... 125 mm
-  Temperature range
-40 ... +200°C

**General technical data**

Suction cup ø	[mm]	8	10	15	30	40	55	75	100	125
Vacuum connection		M5	M5	G1/8	G1/8	G1/4	G1/4	G1/4	G1/4	G3/8
Connection position		On top								
Nominal width	[mm]	2	2	3	3	4	4	4	4	7
Suction cup shape		Round, flat								
Type of mounting		Via vacuum connection								
Mounting position		Any								
Nominal operating pressure	[MPa]	-0.07								
	[bar]	-0.7								
	[psi]	-10.5								
Holding force at nominal operating pressure -0.7 bar	[N]	SI: 2.6 PUR: 2.8	SI: 3.7 PUR: 4	8.5	SI: 31 PUR: 34	SI: 58 PUR: 60	110	SI: 245 PUR: 250	SI: 464 PUR: 450	SI: 700 PUR: 570
	[cm ³]	0.095	0.12	0.328	1.29	3.47	8.01	18.3	33.5	79.1
Suction cup height compensator	[mm]	0.9	1.1	1.2	1.9	3	3.5	3.5	3.5	6

Operating and environmental conditions

Type		VAS-...-SI-B	VAS-...-PUR-B
Operating pressure	[MPa]	-0.095 ... 0	
	[bar]	-0.95 ... 0	
	[psi]	-13.775 ... 0	
Operating medium		Atmospheric air based on ISO 8573-1:2010 [7:-:-]	
Ambient temperature	[°C]	-40 ... +200	-20 ... +60
Corrosion resistance class CRC ¹⁾		2 - Moderate corrosion stress	
Food-safe ²⁾		See supplementary material information	-

1) More information: www.festo.com/x/topic/crc2) More information: www.festo.com/catalogue/vas → Support/Downloads.**Materials**

Type		VAS-...-SI-B	VAS-...-PUR-B
Shore hardness		60 ±5	
Suction cup with connector		VMQ (silicone)	PUR
		Colour: transparent	Colour: blue
Screwed trunnion		Wrought aluminium alloy	Brass (suction cup ø 8 ... 30 mm)
			Die-cast zinc (suction cup ø 40 ... 125 mm)
Note on materials		RoHS-compliant	
LABS (PWIS) conformity		VDMA24364 zone III	

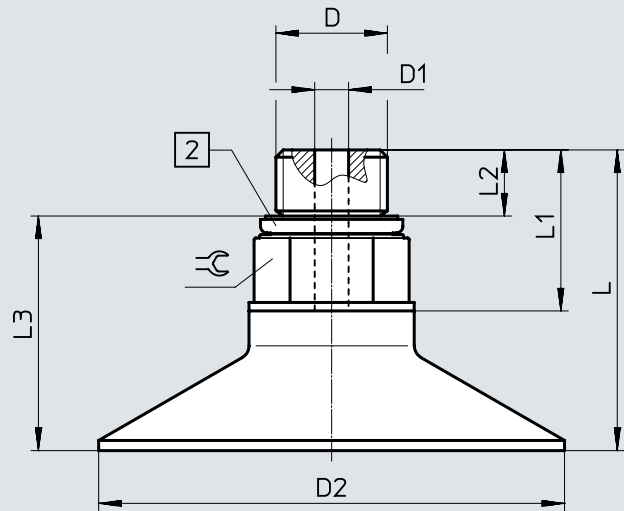
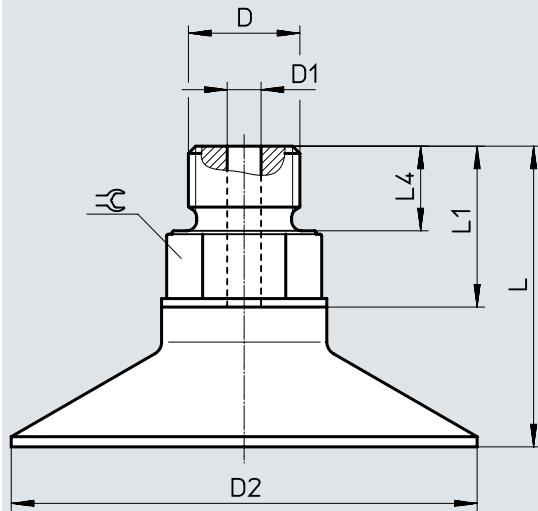
Datasheet

Dimensions

Download CAD data → www.festo.com

VAS-...-SI-B

VAS-...-PUR-B



[2] Sealing ring

Type	Connection D	D1 ø	D2 ø	L	L1	L2	L3	L4	⊕
VAS-8-...-SI-B	M5	2	8	19.2	11.5	–	–	4.3	8
VAS-10-...-SI-B	M5	2	10	19.2	11.5	–	–	4.3	8
VAS-15-...-SI-B	G1/8	3	15	20	12	–	–	6.5	13
VAS-30-...-SI-B	G1/8	3	30	21.5	12	–	–	6.5	13
VAS-40-...-SI-B	G1/4	4	40	30.5	17	–	–	8	17
VAS-55-...-SI-B	G1/4	4	55	33.5	17	–	–	8	17
VAS-75-...-SI-B	G1/4	4	75	28.2	17	–	–	8	17
VAS-100-...-SI-B	G1/4	4	100	28	17	–	–	8	17
VAS-125-...-SI-B	G3/8	7	125	36	20	–	–	12	19
VAS-8-...-PUR-B	M5	2	8	19	11.3	2.85	16.15	–	8
VAS-10-...-PUR-B	M5	2	10	19.2	11.5	2.85	16.35	–	8
VAS-15-...-PUR-B	G1/8	3	15	20	12	4.7	15.3	–	13
VAS-30-...-PUR-B	G1/8	3	30	21.5	12	4.7	16.8	–	13
VAS-40-...-PUR-B	G1/4	4	40	29.5	17	5.8	23.7	–	17
VAS-55-...-PUR-B	G1/4	4	55	32.5	17	5.8	26.7	–	17
VAS-75-...-PUR-B	G1/4	4	75	28	17	5.8	22.2	–	17
VAS-100-...-PUR-B	G1/4	4	100	28	17	5.8	22.2	–	17
VAS-125-...-PUR-B	G3/8	7	125	36	20	6.45	29.55	–	19

Datasheet



★ Core Range

Ordering data				
Suction cup ø [mm]	Vacuum connection	Weight [g]	Part no.	Type
VMQ (silicone)				
15	G1/8	4	★ 1376604	VAS-15-1/8-SI-B
30	G1/8	5	★ 1377752	VAS-30-1/8-SI-B
Polyurethane				
40	G1/4	26	★ 1396092	VAS-40-1/4-PUR-B

Ordering data				
Suction cup ø [mm]	Vacuum connection	Weight [g]	Part no.	Type
VMQ (silicone)				
8	M5	2	1377781	VAS-8-M5-SI-B
10	M5	2	1385610	VAS-10-M5-SI-B
40	G1/4	14	1379454	VAS-40-1/4-SI-B
55	G1/4	19	1379348	VAS-55-1/4-SI-B
75	G1/4	62	1382165	VAS-75-1/4-SI-B
100	G1/4	116	1386376	VAS-100-1/4-SI-B
125	G3/8	214	1415120	VAS-125-3/8-SI-B
Polyurethane				
8	M5	4	1396086	VAS-8-M5-PUR-B
10	M5	4	1469698	VAS-10-M5-PUR-B
15	G1/8	11	1396087	VAS-15-1/8-PUR-B
30	G1/8	12	1396090	VAS-30-1/8-PUR-B
55	G1/4	30	1396095	VAS-55-1/4-PUR-B
75	G1/4	77	1396096	VAS-75-1/4-PUR-B
100	G1/4	140	1396098	VAS-100-1/4-PUR-B
125	G3/8	249	1396108	VAS-125-3/8-PUR-B

Suction cups with connector VASB-...-NBR, protective bellows

Datasheet

-  Diameter
8 ... 125 mm
-  Temperature range
-20 ... +80°C



General technical data									
Suction cup ø	[mm]	8	15	30	40	55	75	100	125
Vacuum connection		M5	G1/8	G1/8	G1/4	G1/4	G1/4	G1/4	G3/8
Connection position		On top							
Nominal width	[mm]	2	3	3	4	4	4	4	7
Suction cup shape		Round, protective bellows with 1.5 convolutions							
Type of mounting		Via vacuum connection							
Mounting position		Any							
Nominal operating pressure	[MPa]	-0.07							
	[bar]	-0.7							
	[psi]	-10.15							
Holding force at nominal operating pressure -0.7 bar	[N]	1.6	7.9	34	56	106	197	397	606
Effective suction cup diameter	[mm]	5.5	12	25	32	44	60	85	105
Suction cup volume	[cm ³]	0.163	0.83	6.18	11.11	30.4	65.5	128	307
Suction cup height compensator	[mm]	3.3	5.6	13.9	13.7	20	15.5	15.5	25

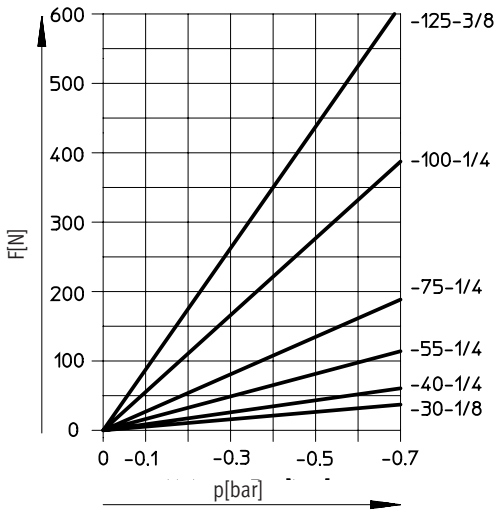
Operating and environmental conditions		
Type	VASB-...-NBR	
Operating pressure	[MPa]	-0.095 ... 0
	[bar]	-0.95 ... 0
	[psi]	-13.775 ... 0
Operating medium	Atmospheric air based on ISO 8573-1:2010 [7:-:-]	
Ambient temperature	[°C]	-20 ... +80
Corrosion resistance class CRC ¹⁾	2 - Moderate corrosion stress	

1) More information: www.festo.com/x/topic/crc

Materials	
Type	VASB-...-NBR
Shore hardness	60 ±5
Suction cup with connector	NBR Colour: black
Screwed trunnion	Brass (suction cup ø 8 ... 15 mm)
	Die-cast zinc (suction cup ø 30 ... 125 mm)
Note on materials	RoHS-compliant
LABS (PWIS) conformity	VDMA24364-A1-L (VASB-100-1/4-NBR: VDMA24364-B1/B2-L)

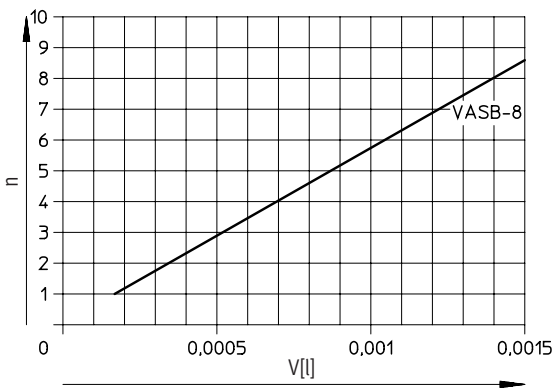
Datasheet

Theoretical suction force F as a function of vacuum p_u

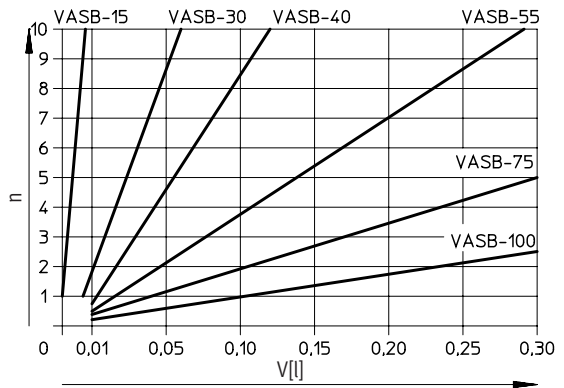


Suction cup volume

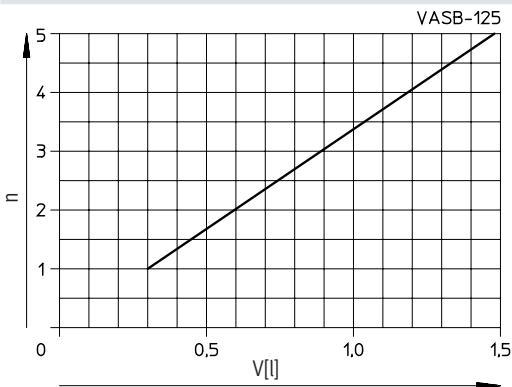
VASB-8



VASB-15 ... 100



VASB-125

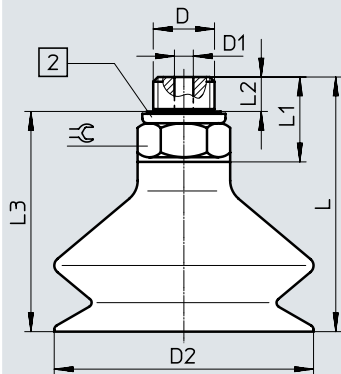


Datasheet

Dimensions

Download CAD data → www.festo.com

VASB-...-NBR





[2] Sealing ring OL

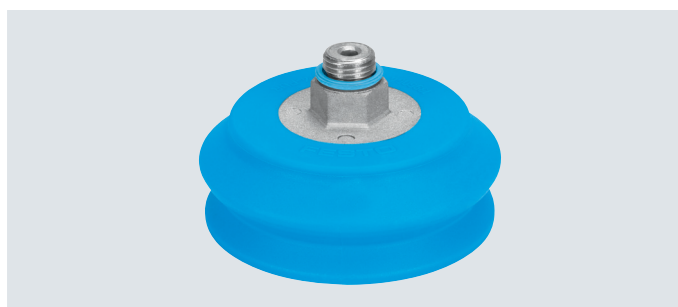
Type	Connection D	D1 ∅	D2 ∅	L	L1	L2	L3	≙
VASB-8-...-NBR	M5	2	8	22.5	11.3	2.85	19.65	8
VASB-15-...-NBR	G1/8	3	15	25.2	12	4.7	20.5	13
VASB-30-...-NBR	G1/8	3	30	34.3	12	4.7	29.6	13
VASB-40-...-NBR	G1/4	4	40	43.4	17.4	5.8	37.6	17
VASB-55-...-NBR	G1/4	4	55	52.4	17.4	5.8	46.6	17
VASB-75-...-NBR	G1/4	4	75	43.5	17	5.8	37.7	17
VASB-100-...-NBR	G1/4	4	100	44	17	5.8	38.2	17
VASB-125-...-NBR	G3/8	7	125	60	20	6	54	19

Ordering data

Suction cup ∅ [mm]	Vacuum connection	Weight [g]	Part no.	Type
8	M5	4	35410	VASB-8-M5-NBR
15	G1/8	11	35411	VASB-15-1/8-NBR
30	G1/8	15	35412	VASB-30-1/8-NBR
40	G1/4	30	35413	VASB-40-1/4-NBR
55	G1/4	42	35414	VASB-55-1/4-NBR
75	G1/4	95	35415	VASB-75-1/4-NBR
100	G1/4	170	35416	VASB-100-1/4-NBR
125	G3/8	207	152609	VASB-125-3/8-NBR

Datasheet

-  Diameter
8 ... 125 mm
-  Temperature range
-40 ... +200°C



General technical data

Suction cup ø	[mm]	8	15	30	40	55	75	100	125
Vacuum connection		M5	G1/8	G1/8	G1/4	G1/4	G1/4	G1/4	G3/8
Connection position		On top							
Nominal width	[mm]	2	3	3	4	4	4	4	7
Suction cup shape		Round, protective bellows with 1.5 convolutions							
Type of mounting		Via vacuum connection							
Mounting position		Any							
Nominal operating pressure	[MPa]	-0.07							
	[bar]	-0.7							
	[psi]	-10.15							
Holding force at nominal operating pressure -0.7 bar	[N]	SI: 2.6 PUR: 2.8	8.5	SI: 25 PUR: 34	SI: 58 PUR: 60	110	SI: 228 PUR: 250	SI: 395 PUR: 450	SI: 610 PUR: 570
Suction cup volume	[cm ³]	0.163	0.83	6.18	11.11	30.4	65.5	128	307
Suction cup height compensator	[mm]	3.3	5.6	13.9	13.7	20	15.5	15.5	25

Operating and environmental conditions

Type		VASB-...-SI-B	VASB-...-PUR-B
Operating pressure	[MPa]	-0.095 ... 0	
	[bar]	-0.95 ... 0	
	[psi]	-13.775 ... 0	
Operating medium		Atmospheric air based on ISO 8573-1:2010 [7:-:-]	
Ambient temperature	[°C]	-40 ... +200	-20 ... +60
Corrosion resistance class CRC ¹⁾		2 - Moderate corrosion stress	
Food-safe ²⁾		See supplementary material information	-

1) More information: www.festo.com/x/topic/crc2) More information: www.festo.com/catalogue/vasb → Support/Downloads.

Materials

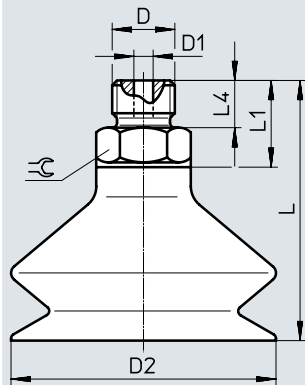
Type		VASB-...-SI-B	VASB-...-PUR-B
Shore hardness		60 ±5	
Suction cup with connector		VMQ (silicone) Colour: transparent	PUR Colour: blue
Screwed trunnion		Wrought aluminium alloy	
		Brass (suction cup ø 8 ... 30 mm) Die-cast zinc (suction cup ø 40 ... 125 mm)	
Note on materials		RoHS-compliant	
LABS (PWIS) conformity		VDMA24364 zone III	VDMA24364-A1-L

Datasheet

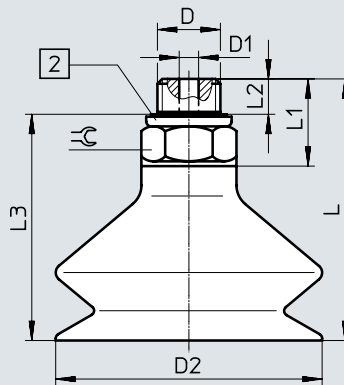
Dimensions

Download CAD data → www.festo.com

VASB-...-SI-B



VASB-...-PUR-B



[2] Sealing ring

Type	Connection D	D1 ø	D2 ø	L	L1	L2	L3	L4	☞
VASB-8-...-SI-B	M5	2	8	22.5	11.5	–	–	4.3	8
VASB-15-...-SI-B	G1/8	3	15	25.5	12	–	–	6.5	13
VASB-30-...-SI-B	G1/8	3	30	34	12	–	–	6.5	13
VASB-40-...-SI-B	G1/4	4	40	43	17	–	–	8	17
VASB-55-...-SI-B	G1/4	4	55	52	17	–	–	8	17
VASB-75-...-SI-B	G1/4	4	75	43.7	14.2	–	–	8	17
VASB-100-...-SI-B	G1/4	4	100	43.7	14.2	–	–	8	17
VASB-125-...-SI-B	G3/8	7	125	60	16.4	–	–	9	19
VASB-8-...-PUR-B	M5	2	8	22.5	11.5	3.55	18.95	–	8
VASB-15-...-PUR-B	G1/8	3	15	25.5	12	4.7	20.8	–	13
VASB-30-...-PUR-B	G1/8	3	30	34	12	4.7	29.3	–	13
VASB-40-...-PUR-B	G1/4	4	40	43	17	5.8	37.2	–	17
VASB-55-...-PUR-B	G1/4	4	55	52	17	5.8	46.2	–	17
VASB-75-...-PUR-B	G1/4	4	75	43.5	17	5.8	37.7	–	17
VASB-100-...-PUR-B	G1/4	4	100	43.5	17	5.8	37.7	–	17
VASB-125-...-PUR-B	G3/8	7	125	60	20	6	54	–	19

Datasheet

★ Core Range

Ordering data				
Suction cup ø [mm]	Vacuum connection	Weight [g]	Part no.	Type
VMQ (silicone)				
15	G1/8	4	★ 1377689	VASB-15-1/8-SI-B
Polyurethane				
55	G1/4	39	★ 1396063	VASB-55-1/4-PUR-B
Ordering data				
Suction cup ø [mm]	Vacuum connection	Weight [g]	Part no.	Type
VMQ (silicone)				
8	M5	2	1394696	VASB-8-M5-SI-B
30	G1/8	7	1377637	VASB-30-1/8-SI-B
40	G1/4	18	1372910	VASB-40-1/4-SI-B
55	G1/4	29	1373812	VASB-55-1/4-SI-B
75	G1/4	78	1378427	VASB-75-1/4-SI-B
100	G1/4	132	1382277	VASB-100-1/4-SI-B
125	G3/8	247	1387375	VASB-125-3/8-SI-B
Polyurethane				
8	M5	4	1395637	VASB-8-M5-PUR-B
15	G1/8	11	★ 1395671	VASB-15-1/8-PUR-B
30	G1/8	14	1395690	VASB-30-1/8-PUR-B
40	G1/4	30	1395691	VASB-40-1/4-PUR-B
75	G1/4	90	1396064	VASB-75-1/4-PUR-B
100	G1/4	155	1396066	VASB-100-1/4-PUR-B
125	G3/8	294	1396067	VASB-125-3/8-PUR-B