

Hand lever VAOH

FESTO



Type code

001	Series
VAOH	Manual actuating element

002	Allocation
	None
F7	Version F7
F8	Version F8
F9	Version F9
F10	Version F10
F11	Version F11
P15	Version P15

003	Size
	Standard
D7	Diameter 7 mm
D9	Diameter 9 mm
D12	Diameter 12 mm
F05	Flange size 05
F07	Flange size F07

004	Width across flats
	Standard
8	8 mm
9	9 mm
11	11 mm
14	14 mm
17	17 mm
22	22 mm
27	27 mm
36	36 mm

005	Lever length
	Standard
210	210 mm
211	211 mm
340	340 mm

006	Actuating element
H9	Hand lever
H13	Hand lever, plastic

007	Additional function for actuating element
	None
A	Lockable
RA10	Lockable, detenting in 10 positions

008	Valve function
	Standard
22	2/2-way function
32	3/2-way function

Datasheet

General technical data

Width across flats	5 mm	6 mm	8 mm	9 mm	11 mm	14 mm	17 mm	22 mm	27 mm	36 mm
Type of actuation	Manual									
Mounting position	optional									
Length	89 mm	105 mm	130 mm	112 ... 190 mm	134.5 ... 190 mm	170 ... 235 mm	240 ... 344 mm	280 ... 389 mm	743 mm	840 mm
Product weight	50 g	75 g	145 g	40 ... 170 g	82 ... 250 g	180 ... 530 g	450 ... 850 g	750 ... 920 g	1,800 g	3,800 g
LABS (PWIS) conformity	VDMA24364 zone III									
Corrosion resistance class CRC	1 - Low corrosion stress			2 - Moderate corrosion stress, 3 - High corrosion stress, 3 - high corrosion stress		2 - Moderate corrosion stress, 3 - high corrosion stress			3 - high corrosion stress	

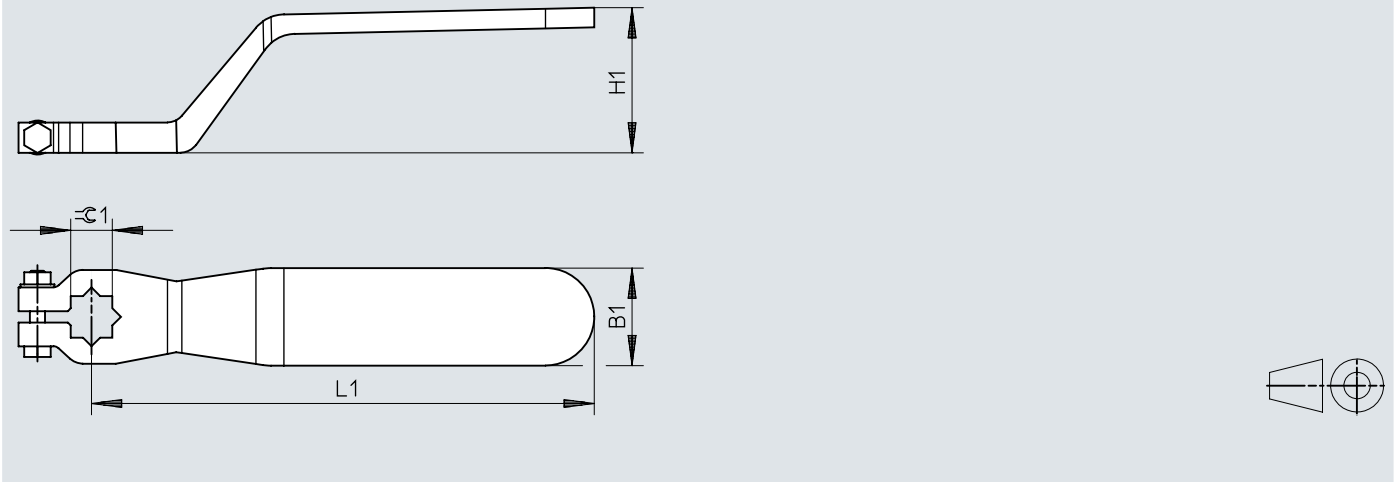
Materials

Note on materials	RoHS-compliant
Material hand lever	Galvanised steel, High-alloy stainless steel

Dimensions

Dimensions – VAOH-...-H9

Download CAD data www.festo.com

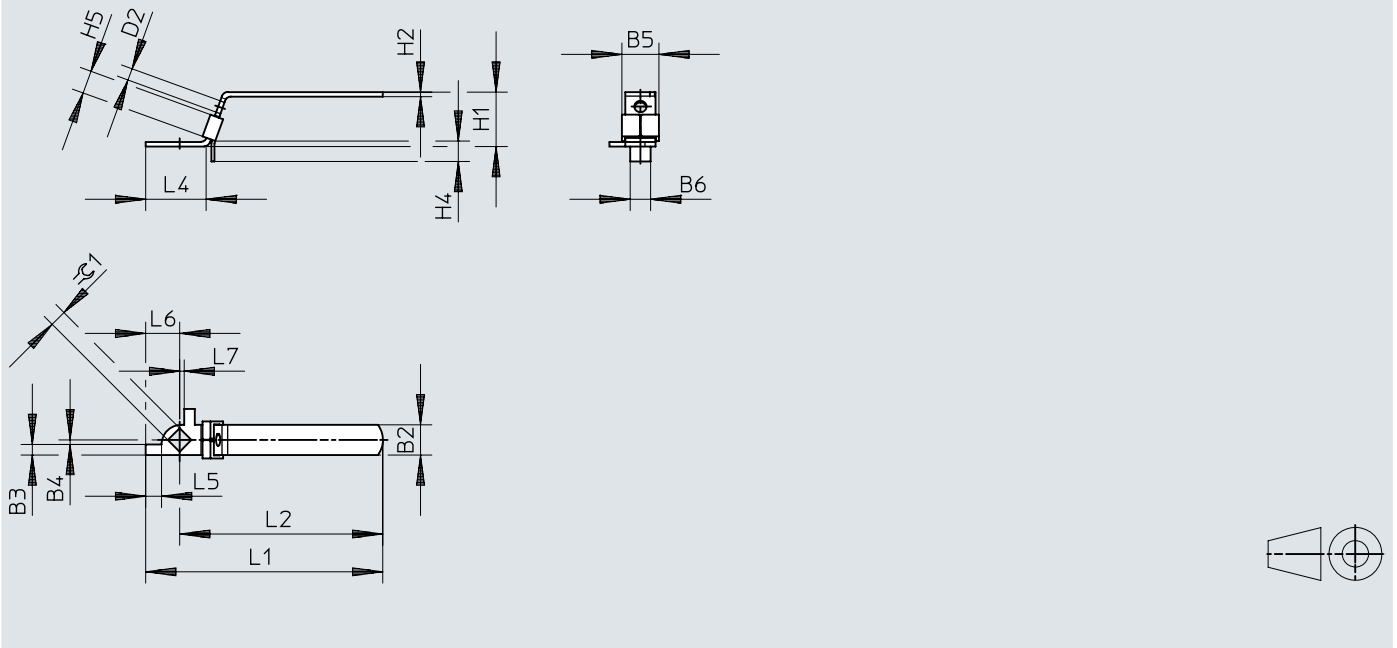


		B1 ±5	H1 ±5	L1 ±10	≈C1 ±0,5
VAOH-9-H9	Rp1/4 ... Rp3/4	21	36	120	9
VAOH-11-H9	Rp1 ... Rp1 1/4	26	40	140	11
VAOH-14-H9	Rp1 1/2 ... Rp2	31	46	180	14
VAOH-17-H9	Rp2 1/2 ... Rp3	36	55	240	17
VAOH-22-H9	Rp4	36	70	280	22

Dimensions

Dimensions – VAOH-F7-9...14-...-32

Download CAD data www.festo.com

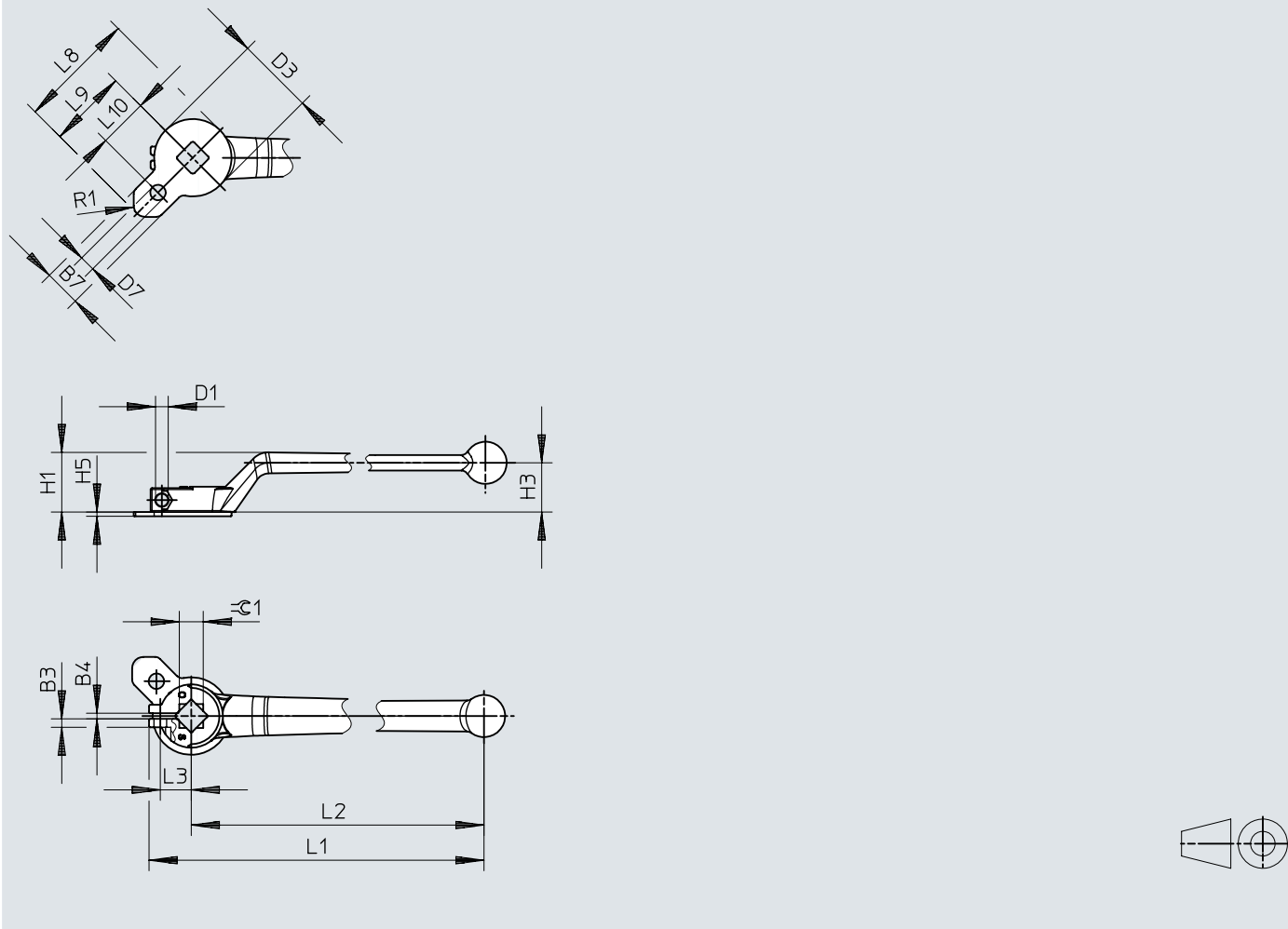


		B2	B3	B4	B5	B6	D2 ∅	H1	H2	H4	H5	L1	L2	L4	L5	L6	L7	≅G1
VAOH-F7-9-H9-A-32	1/4" ... 3/4"	20	7	3	25	14,5	8	35	3	15	15,2	131	112	39	8,5	19	3	9
VAOH-F7-11-H9-A-32	1"	20	7	3	24,5	13,5	8	36	3	13,5	15,3	157	134,5	40	10,5	25,5	3	11
VAOH-F7-11-211-H9-A-32	1 1/4"	25	9,5	3	30	15	8	38	4	11,5	15	211	186	48	10,5	25	3	11
VAOH-F7-14-H9-A-32	1 1/2" ... 2"	30	12	3	35	22	8	39	4	17	17	233	197,9	59	19,5	35,1	3	14

Dimensions

Dimensions – VAOH-F7-17/22-H9-A-22

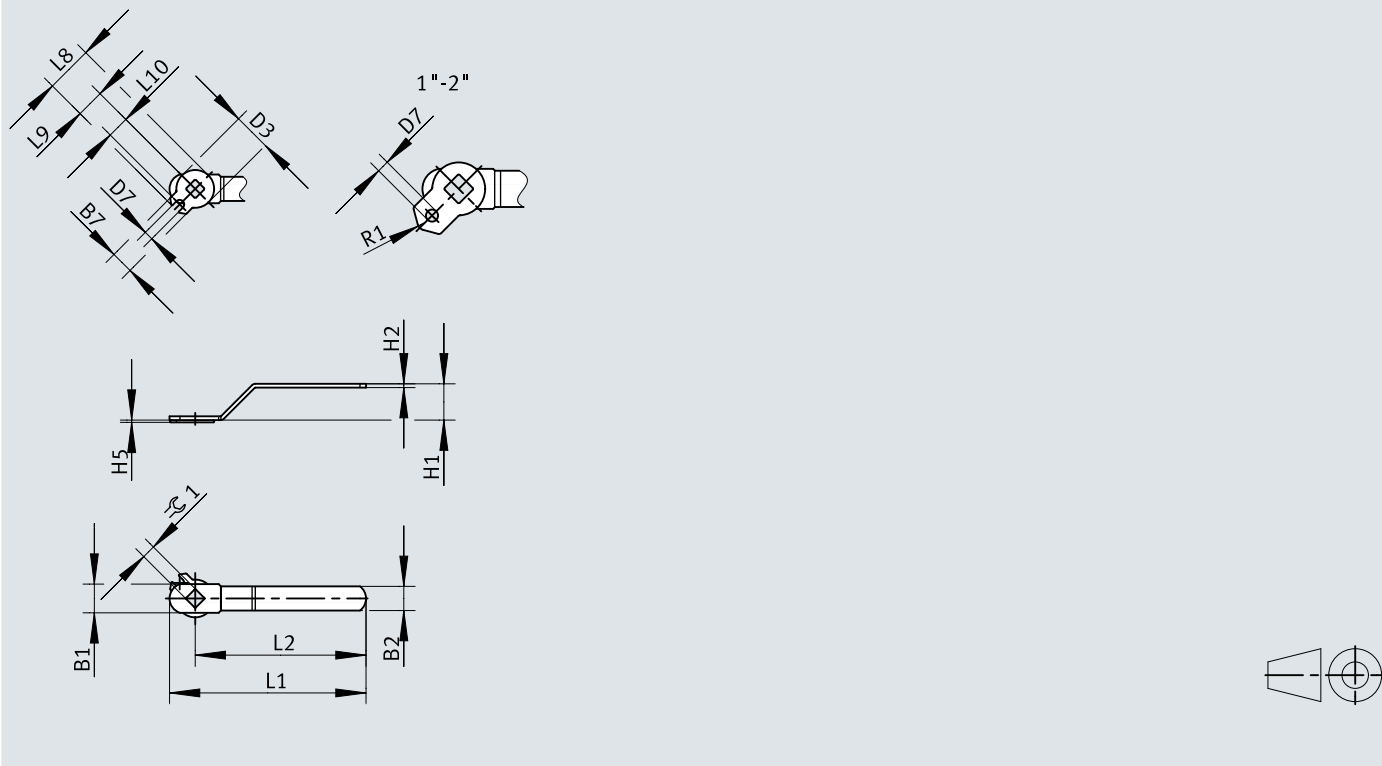
Download CAD data www.festo.com



		B3	B4	B7	D1	D3	D7	H1	H3	H5	L1	L2	L3	L8	L9	L10	R1	≙C1 ±0,5
VAOH-F7-17-H9-A-22	2 1/2" ... 3"	6	4	27,5	9	55	11	42,5	35	3	355	325	22	83,6	56,1	35	8	17
VAOH-F7-22-H9-A-22	4"	6	4	27,5	9	70	12	42,5	38	3	355	325	22	102,7	67,7	51	7	22

Dimensions

Dimensions – VAOH-F7-9...14-H9-A-22

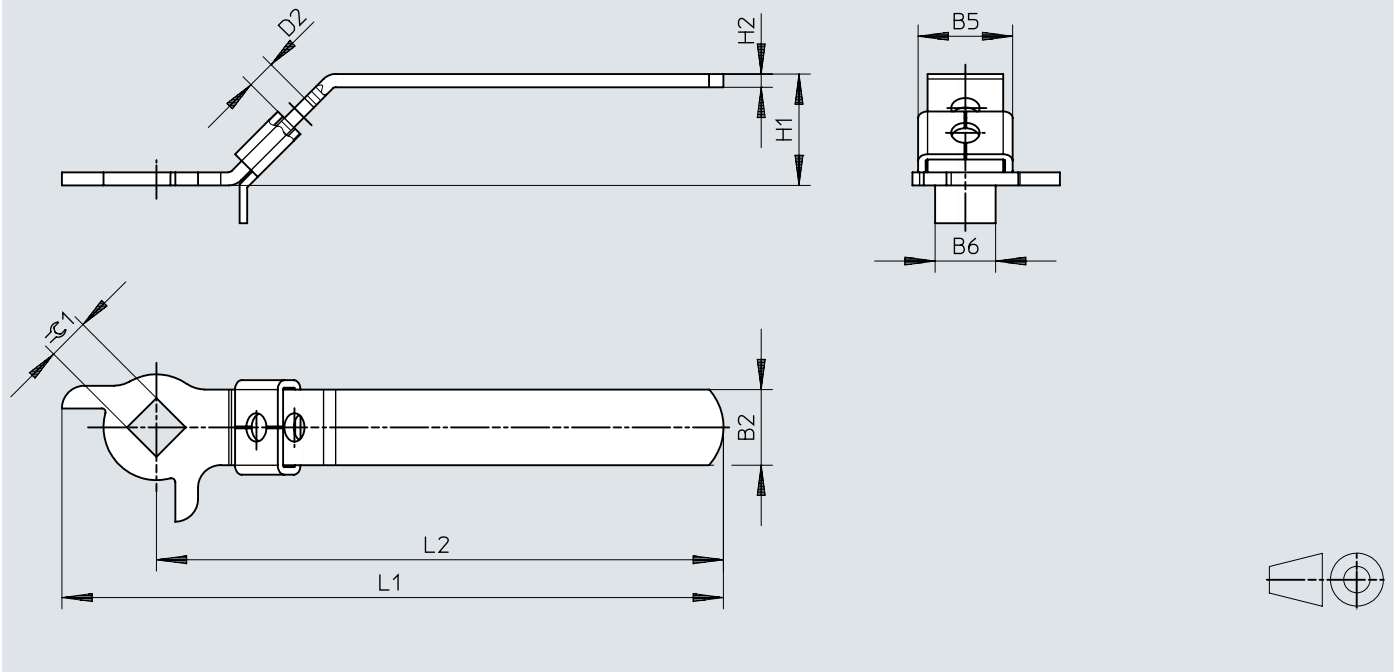
Download CAD data www.festo.com

		B1	B2	B7	D3	D7	H1	H2	H5	L1	L2	L8	L9	L10	R1	±0,5
					∅	∅										
VAOH-F7-9-H9-A-22	1/4" ... 3/4"	19	16	15,8	25	6	24	2,5	1,5	130	113	33,5	21,1	18	–	9
VAOH-F7-11-H9-A-22	1" ... 1 1/4"	22,5	20	17,8	29	7	26	4	1,8	160	138,5	41,5	27	21	6	11
VAOH-F7-14-H9-A-22	1 1/2" ... 2"	26,5	24	26	35	8	34,5	5	2	194	170	54	36,5	25	5	14

Dimensions

Dimensions – VAOH-F8-9/11/14-H9-A

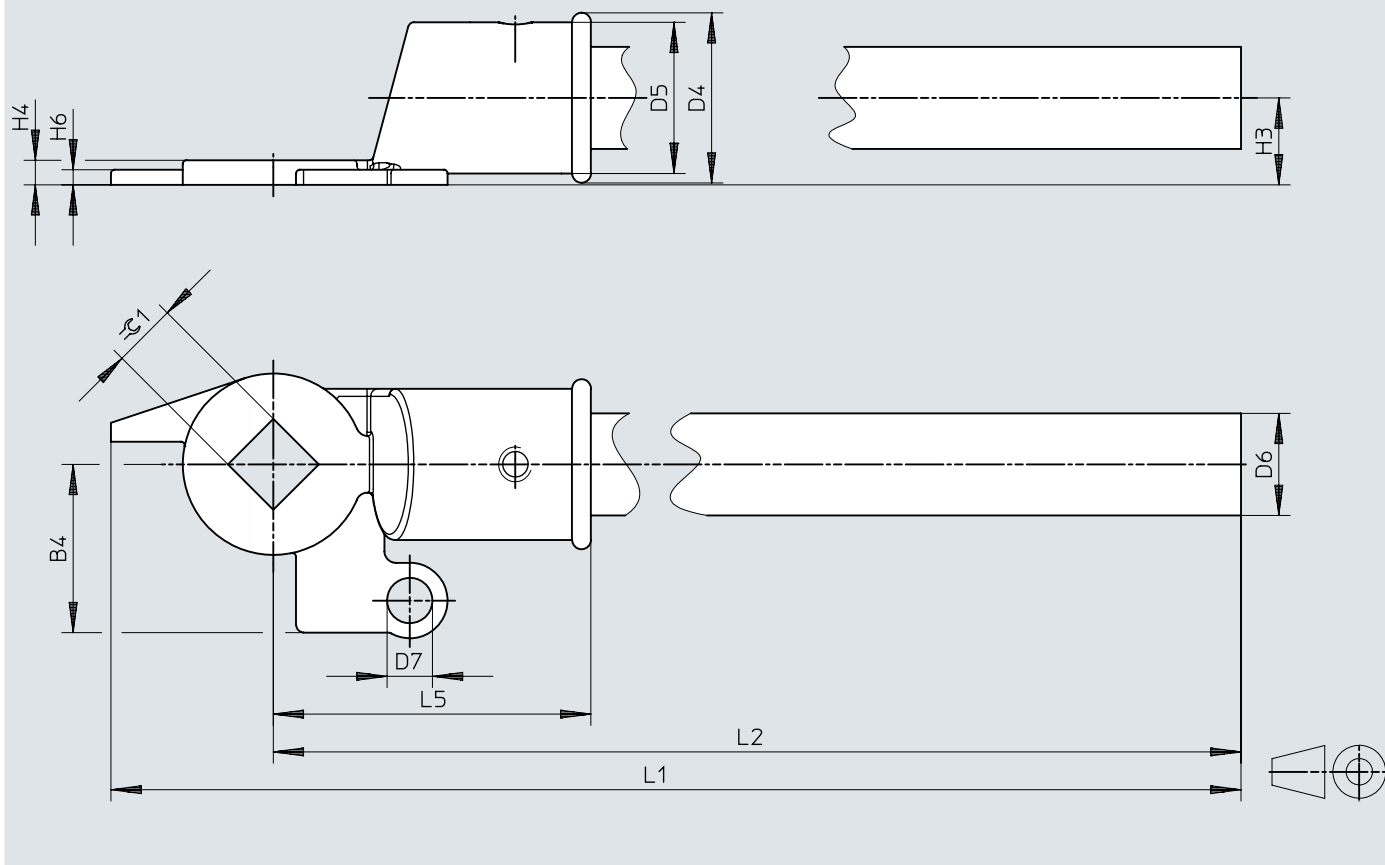
Download CAD data www.festo.com



		B2	B5	B6	D2 ∅	H1	H2	L1	L2	≻1
VAOH-F8-9-H9-A	DN15 ... DN20	19	23,8	13	7,5	29	3	144,2	123	9
VAOH-F8-11-H9-A	DN25 ... DN32	20	24,8	16	7,5	30	3,5	176,5	151,5	11
VAOH-F8-14-H9-A	DN40 ... DN50	25	31	22	7,5	31	4	214	182	14

Dimensions

Dimensions – VAOH-F8-17/22-H9-A

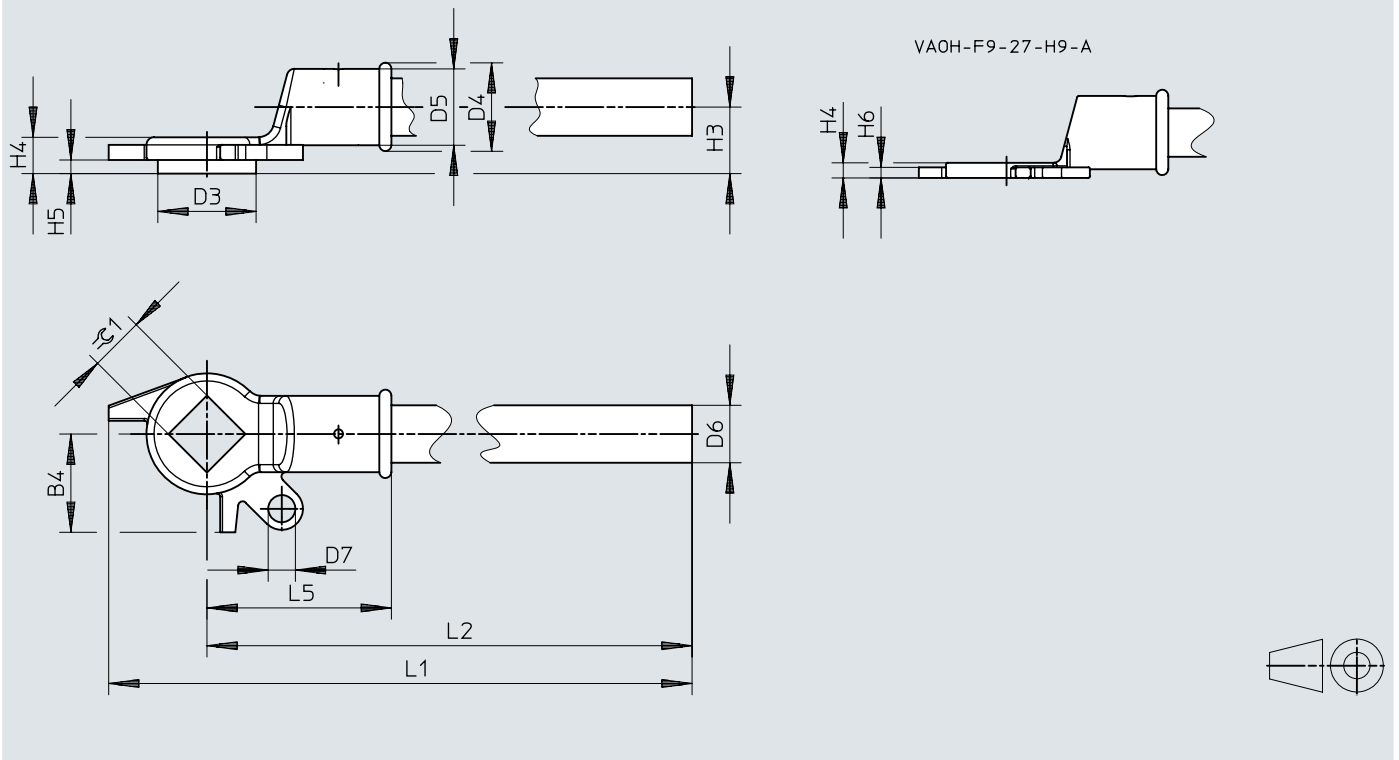
Download CAD data www.festo.com

		B4	D4 ø	D5 ø	D6 ø	D7 ø	H3	H4	H6	L1	L2	L5	≈ \ominus 1
VAOH-F8-17-H9-A	DN65 ... DN80	44,5	45	40	27	12	23	6,5	4	387	344	84	17
VAOH-F8-22-H9-A	DN100	53,5	45	40	27	14	25	8	5	442,5	389	89,5	22

Dimensions

Dimensions – VAOH-F9-27/36-H9-A

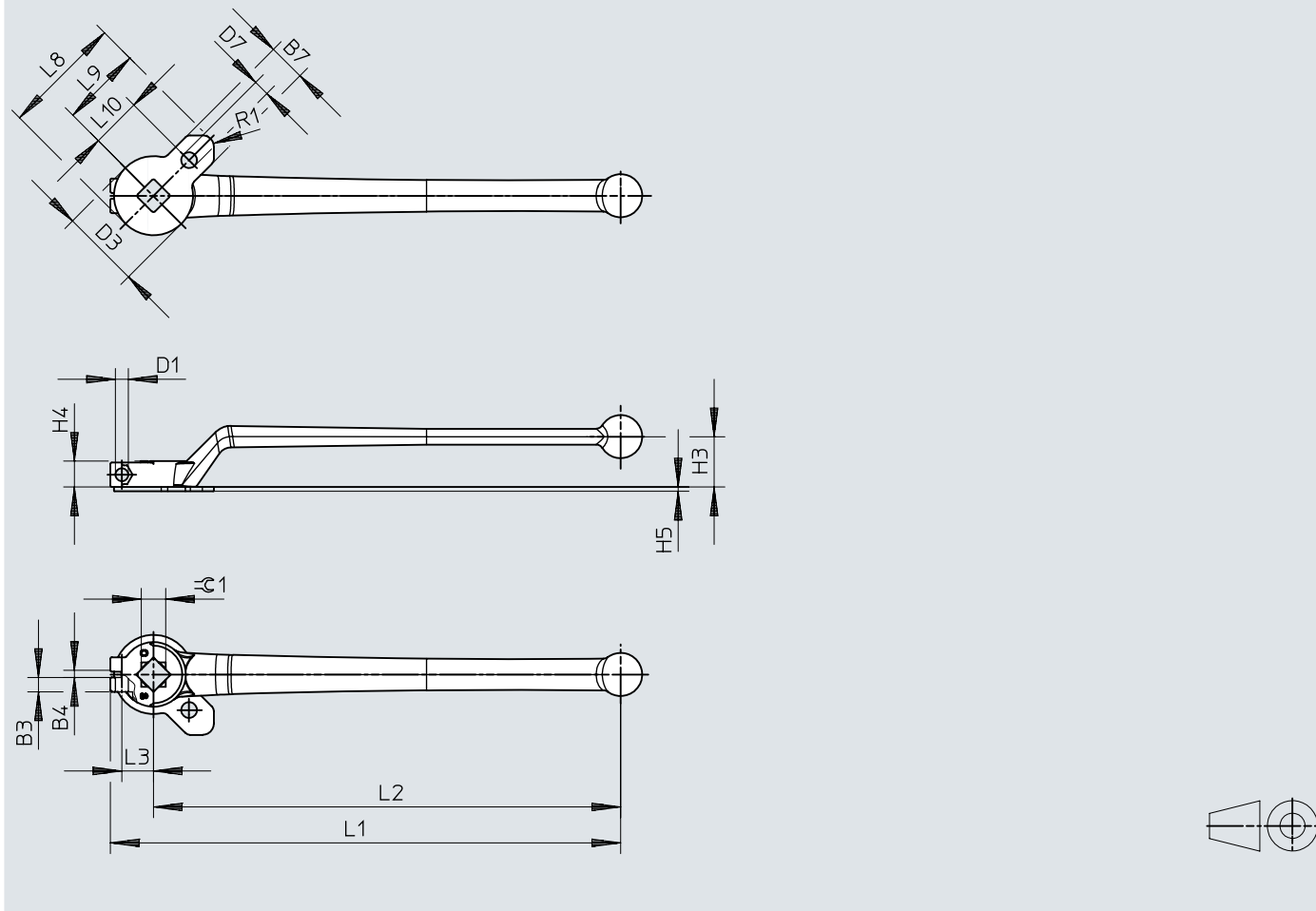
Download CAD data www.festo.com



		B4	D3 ∅	D4 ∅	D5 ∅	D6 ∅	D7 ∅	H3	H4	H5	H6	L1	L2	L5	≈G1
VAOH-F9-27-H9-A	6"	58	–	56,5	48,5	32	14	30	10	–	7	815,1	757,1	107	27
VAOH-F9-36-H9-A	8"	65	65	58,5	50,5	38	18	43,1	15	9	10	928	863	122	36

Dimensions

Dimensions – VAOH-F9-14/17/22-H9-A

Download CAD data www.festo.com

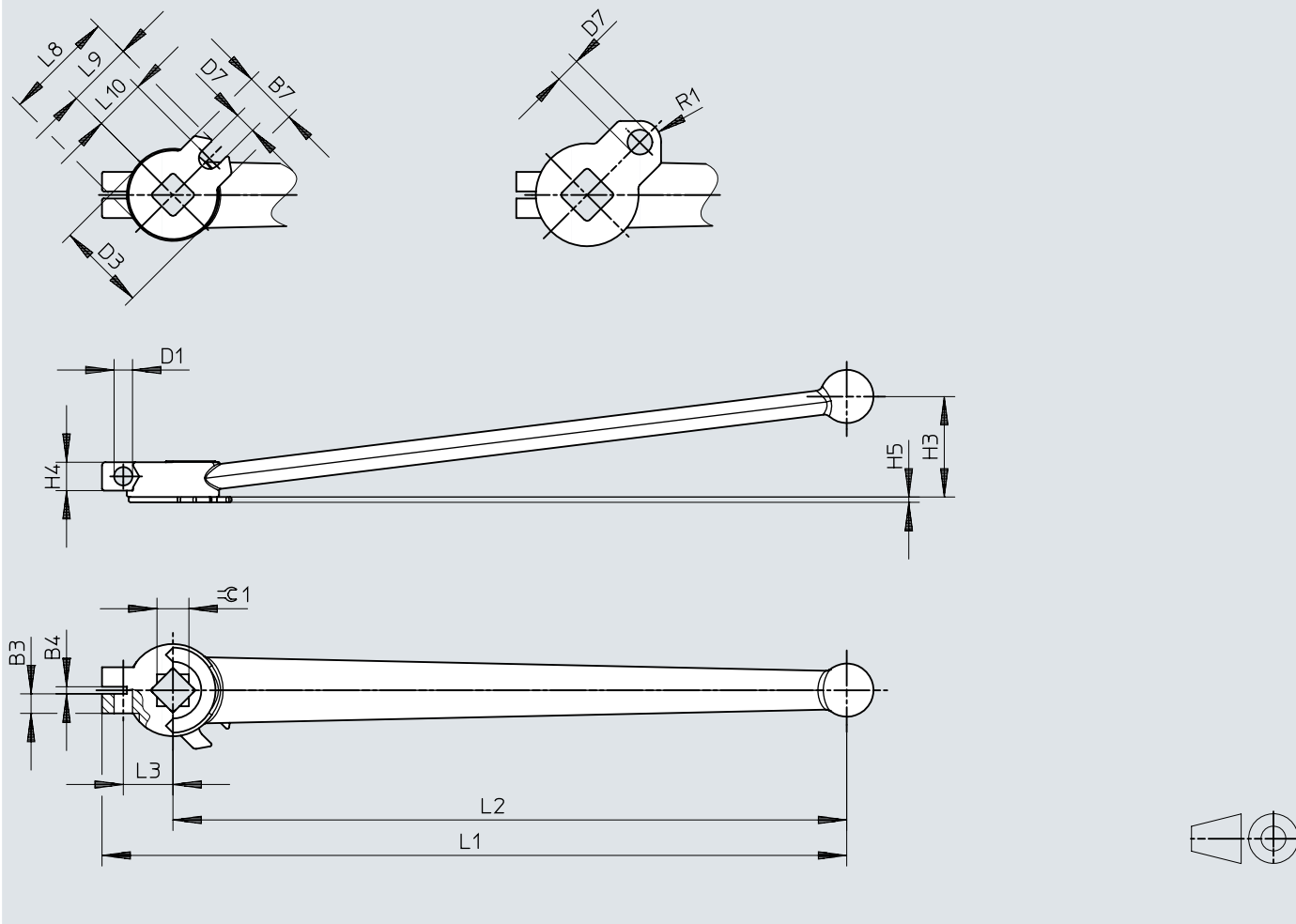
		B3	B4	B7	D1	D3	D7	H3	H4	H5	L1	L2	L3	L8	L9	L10	R1	$\text{⌀}1$
VAOH-F9-17-H9-A	2 1/2" ... 3"	10	4	27,5	9	55	11	35	18	3	355	325	22	83,6	56,1	35	8	17
VAOH-F9-22-H9-A	4"	10	4	27,5	9	70	12	38	21	3	355	325	22	102,7	67,7	51	7	22

Dimensions

Dimensions – VAOH-F9-9/11-H9-A

Download CAD data www.festo.com

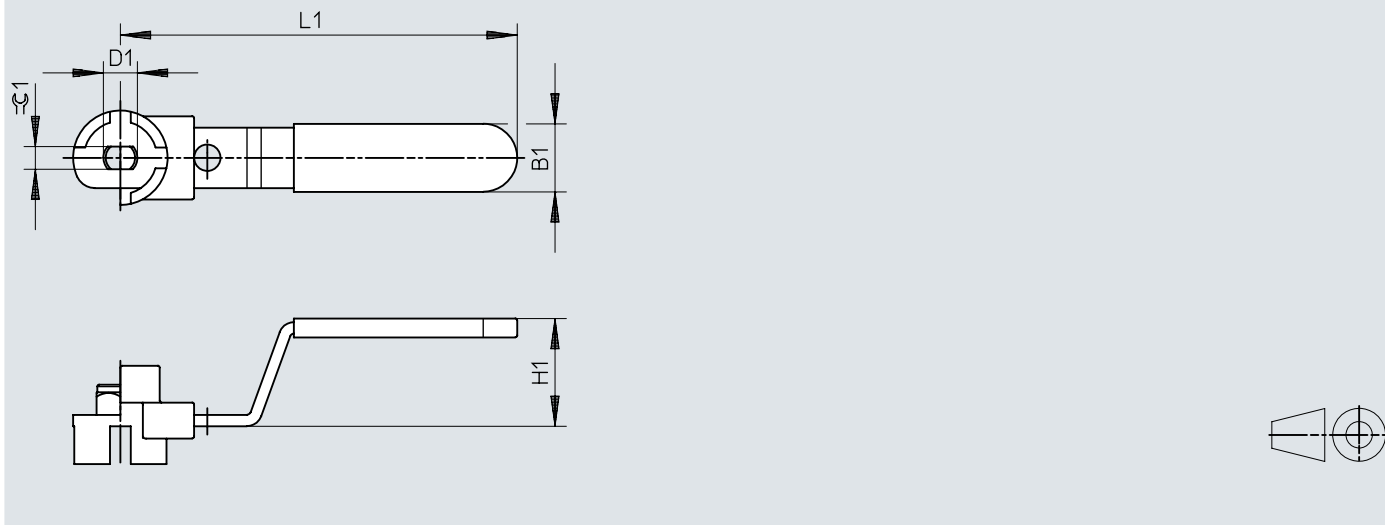
1" - 1 1/4"



		B3	B4	B7	D1	D3	D7	H3	H4	H5	L1	L2	L3	L8	L9	L10	R1	≠C1
					∅	∅	∅											
VAOH-F9-9-H9-A	1/2" ... 3/4"	5,5	2	15,8	5,2	25	6	28,3	8	1,5	210	190	14	33,5	21,1	18	-	9
VAOH-F9-11-H9-A	1" ... 1 1/4"	5,5	2	17,8	5,2	29	7	28,3	8	1,8	210	190	14	41,5	27	21	6	11
VAOH-F9-14-H9-A	1 1/2" ... 2"	5,5	3	26	6,2	35	8	30,5	13,5	2	260	235	16,2	54	36,5	25	5	14

Dimensions

Dimensions – VAOH-F10-...-H9-A

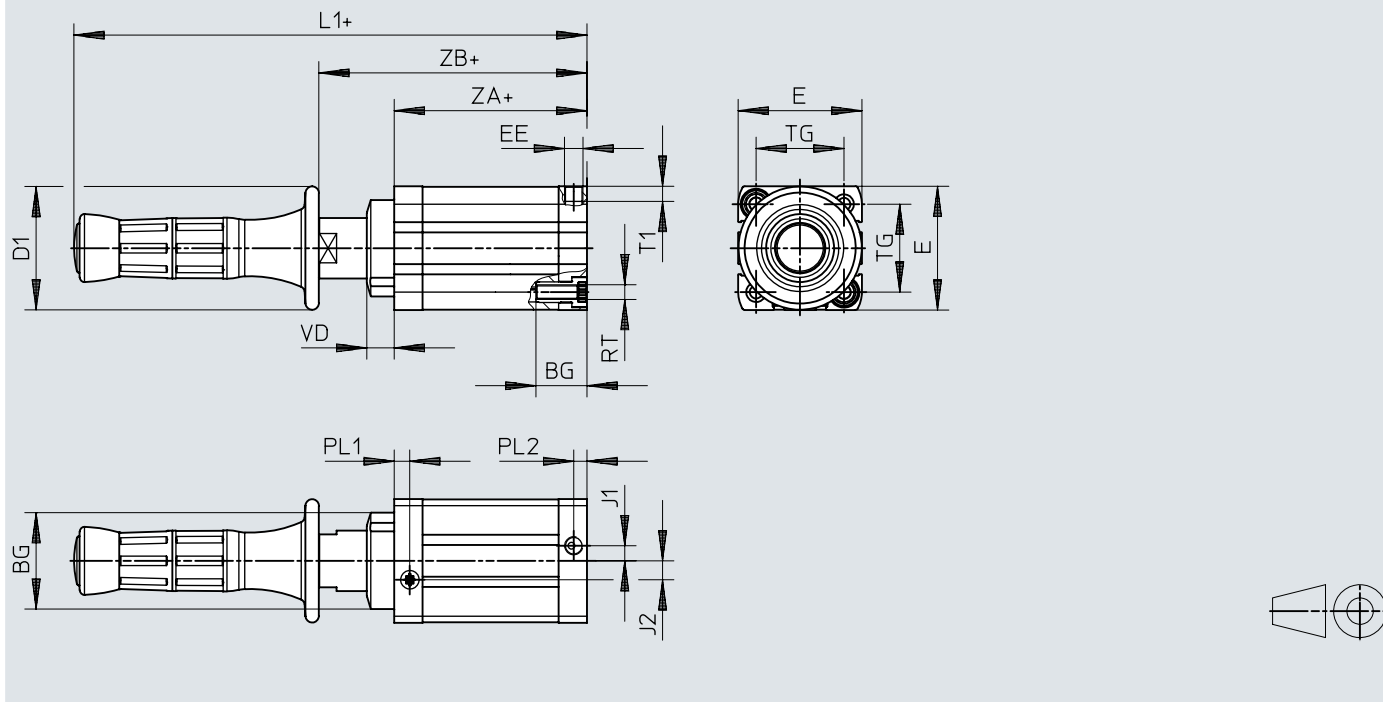
Download CAD data www.festo.com

		B1	D1 ∅	H1	L1	≈ 1
VAOH-F10-D7-H9-A	Rp1/4 ... Rp1/2	16	7	24,5	89	5
VAOH-F10-D9-H9-A	Rp3/4 ... Rp1	18	9	28,5	105	6
VAOH-F10-D12-H9-A	Rp1 1/4 ... Rp1 1/2	22	12	32	130	8

Dimensions


Dimensions – VAOH-P15-H13


Download CAD data www.festo.com





	B ∅	BG	D1 ∅	E	EE	J1	J2	L1
VAOH...	51	27	65	65,5	G1/8	8	10	271,5
	PL1	PL2	RT	T1	TG	VD	ZA	ZB ¹⁾
VAOH...	8,2	7	M8	8	46,5	14,5	102	142

Ordering data

VAOH-...-H9					
	Lever length	Valve function	Width across flats	Part no.	Type
	Standard	Standard	9 mm	542702	VAOH-9-H9
			11 mm	542703	VAOH-11-H9
			14 mm	542704	VAOH-14-H9
			17 mm	542705	VAOH-17-H9
			22 mm	542706	VAOH-22-H9

VAOH-F7/F8/F9-...						
	Lever length	Valve function	Width across flats	Part no.	Type	
	Standard	Standard	9 mm	4895358	VAOH-F8-9-H9-A	
				4895982	VAOH-F9-9-H9-A	
			11 mm	4895359	VAOH-F8-11-H9-A	
				4895983	VAOH-F9-11-H9-A	
			14 mm	4895360	VAOH-F8-14-H9-A	
				4895984	VAOH-F9-14-H9-A	
			17 mm	4895985	VAOH-F9-17-H9-A	
				4895361	VAOH-F8-17-H9-A	
			22 mm	4895363	VAOH-F8-22-H9-A	
				4895986	VAOH-F9-22-H9-A	
			27 mm	4895987	VAOH-F9-27-H9-A	
			36 mm	4895988	VAOH-F9-36-H9-A	
			2/2-way function	9 mm	4895383	VAOH-F7-9-H9-A-22
				11 mm	4895384	VAOH-F7-11-H9-A-22
		14 mm		4895385	VAOH-F7-14-H9-A-22	
		17 mm		4895386	VAOH-F7-17-H9-A-22	
		22 mm		4895387	VAOH-F7-22-H9-A-22	
		3/2-way function	9 mm	4896014	VAOH-F7-9-H9-A-32	
			11 mm	4896015	VAOH-F7-11-H9-A-32	
			14 mm	4896016	VAOH-F7-14-H9-A-32	
			211 mm	4896017	VAOH-F7-11-211-H9-A-32	

VAOH-F10-...-H9-A					
	Lever length	Valve function	Width across flats	Part no.	Type
	Standard	Standard	Standard	4650069	VAOH-F10-D7-H9-A
				4650070	VAOH-F10-D9-H9-A
				4650071	VAOH-F10-D12-H9-A

VAOH-P15-H13					
	Lever length	Valve function	Width across flats	Part no.	Type
	Standard	Standard	Standard	5196471	VAOH-P15-H13