

Vacuum gauge VAM, FVAM

FESTO



Characteristics

At a glance

Vacuum gauge for front panel or in-line installation.

- Designs based on DIN EN 837-1, optionally with red/green range
- Double or single scale

Additional display

[RG] Red/green scale

The adjustable red/green range provides additional safety during vacuum monitoring.

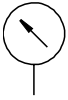
Type code

001	Series	
VAM	Vacuum gauge VAM	
FVAM	Vacuum gauge FVAM	
002	Size	
40	Diameter 40 mm	
63	Diameter 63 mm	
003	Indicating range [bar]	
V1/0	-1...0	
V1/9	-1...9	

004	Pneumatic connection	
G18	G1/8	
G14	G1/4	
R18	R1/8	
R14	R1/4	
005	Pressure gauge type	
E	Round pressure gauge according to standard	
EN	Round pressure gauge according to standard	
006	Additional display	
	None	
RG	Red/green scale	

Datasheet

General technical data



Short type code	FVAM		VAM	
Nominal size of pressure gauge	40	63	40	63
Pneumatic connection	G1/8	G1/4	R1/8	R1/4
Indicating range	-1 ... 0 bar			-1 ... 9 bar
Indicating range	-30 ... 0 inchHg			
Scale	Double scale Bar (outside scale) inch hg (inner)/psi (inner)		Double scale Single scale Bar (outside scale) inch hg (inner)/psi (inner)	
Type of mounting	Front panel mounting		Screw-in	Front panel mounting, Screw-in
Position of connection	Centred, rear side			
Based on standard	DIN EN 837-1			
Type of seal on screwed plug	Coating			
Mounting position	optional			
Design	Bourdon tube pressure gauge			
Measurement accuracy class	2.5			

Operating and environmental conditions

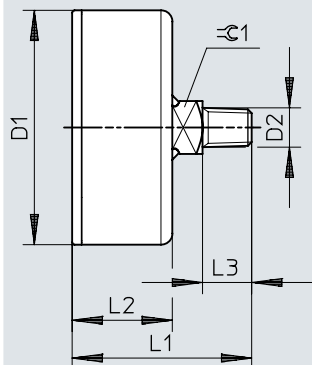
Operating medium	Compressed air to ISO 8573-1:2010 [7:4:4]
Note on operating and pilot medium	Lubricated operation possible (in which case lubricated operation will always be required)
Media temperature	-20 ... 60°C
Ambient temperature	-10 ... 60°C
Continuous load factor	0.75
Alternating load factor	0.66
Corrosion resistance class CRC	0 - No corrosion stress

Materials

Short type code	FVAM		VAM	
Material housing	ABS			
Material screwed plug	Brass			
Material screen	PMMA		PS	
Note on materials	RoHS-compliant			
LABS (PWIS) conformity	VDMA24364-B1/B2-L			

Dimensions

Dimensions – Vacuum gauge VAM, EN 837-1

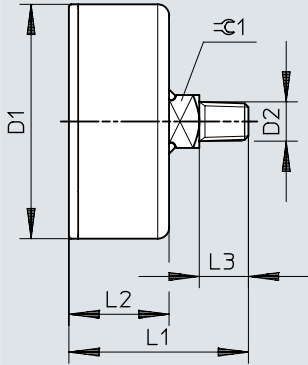
Download CAD data → www.festo.com

	D1 ∅	D2	L1	L2	L3
VAM-40-V1/0-R1/8-EN	39 ±0,5	R1/8	46 ±1	26 ±0,5	12
VAM-63-V1/0-R1/4-EN	62 ±0,5	R1/4	50 ±1	29 ±0,5	13
VAM-63-V1/9-R1/4-EN	62 ±0,5	R1/4	47,5 ±1	26,5 ±0,5	13

Dimensions

Dimensions – Vacuum gauge VAM, EN 837-1 with red/green range

Download CAD data → www.festo.com

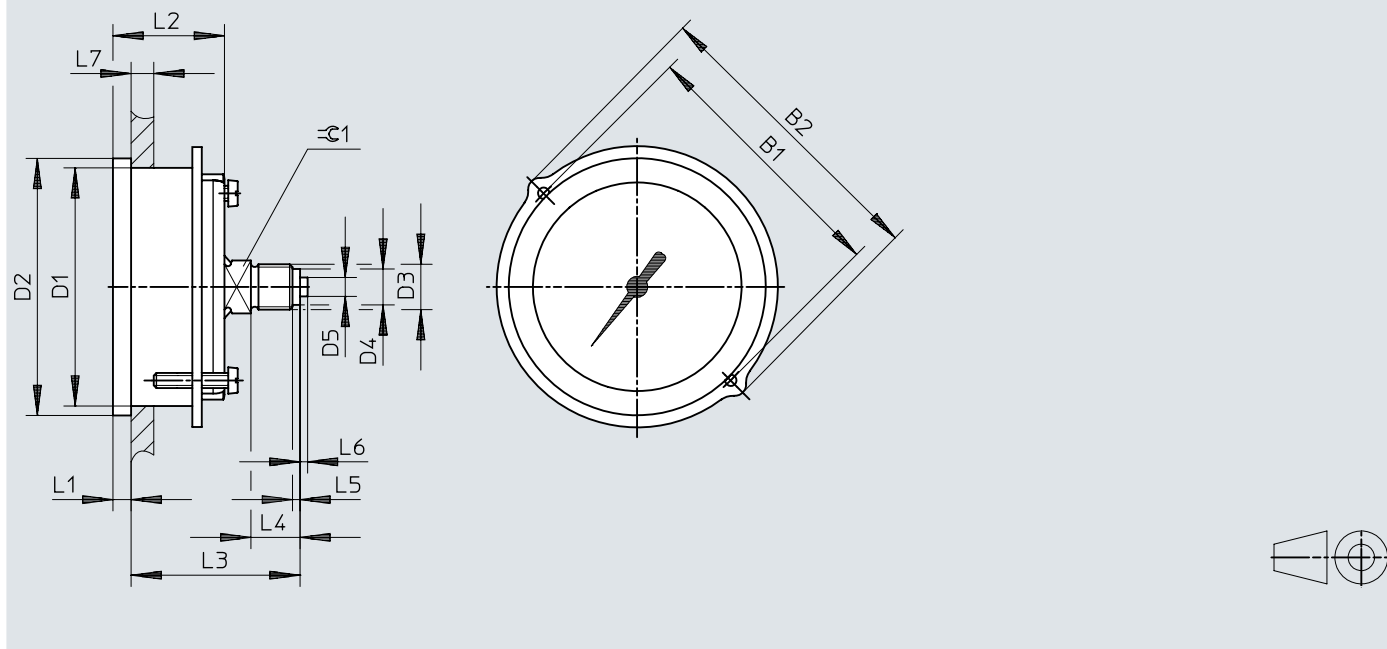


	D1 ∅	D2	L1	L2	L3
VAM-40-V1/0-R1/8-E-RG	39 ±0,5	R1/8	48,5 ±1	28,5 ±0,5	12
VAM-63-V1/0-R1/4-E-RG	62 ±0,5	R1/4	53 ±1	32 ±0,5	13

Dimensions

Dimensions – FVAM-...-EN


Download CAD data → www.festo.com




	B1	B2	D1 ∅	D2 ∅	D3	D4 ∅	D5 ∅	L1	L2	L3	L4	L5	L6
FVAM-40-V1/0-G1/8-EN	48	56	40	45	G1/8	8	–	4,5	26,5	40	10	2	–
FVAM-63-V1/0-G1/4-EN	70	79	63	68	G1/4	9,5	5	4,8	29,5	42,5	13	2	2

Accessories

Ordering data – VAM

	Pneumatic connection	Indicating range	Indicating range	Product weight	Part no.	Type
	R1/8	-1 ... 0 bar	-30 ... 0 inHg	63 g	537810	VAM-40-V1/0-R1/8-EN
	R1/4			83 g	537811	VAM-63-V1/0-R1/4-EN
		-1 ... 9 bar			537814	VAM-63-V1/9-R1/4-EN

Ordering data – VAM (red/green)

	Pneumatic connection	Indicating range	Product weight	Part no.	Type
	R1/8	-1 ... 0 bar	65 g	547842	VAM-40-V1/0-R1/8-E-RG
	R1/4		90 g	547843	VAM-63-V1/0-R1/4-E-RG

Ordering data – FVAM

	Pneumatic connection	Indicating range	Indicating range	Product weight	Part no.	Type
	G1/8	-1 ... 0 bar	-30 ... 0 inHg	81 g	537812	FVAM-40-V1/0-G1/8-EN
	G1/4			121 g	537813	FVAM-63-V1/0-G1/4-EN