

Tools and accessories

FESTO



Datasheet

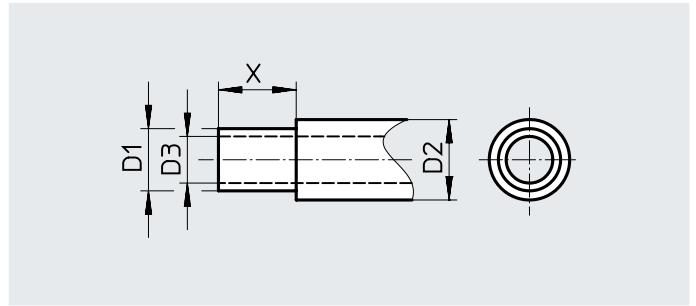
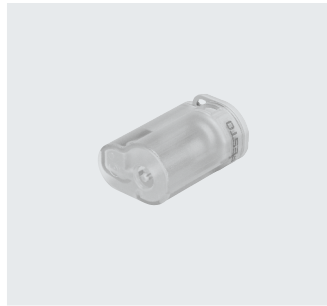
Tubing cutter PAN-V0S

For flame-retardant PAN-V0 tubing

Note on materials:
RoHS-compliant

LABS (PWIS) conformity:
VDMA24364-B2-L






Colour: grey



Before the plastic tubing PAN-V0 can be inserted into the push-in fitting QS-V0, the tubing's PVC sheath must be cut by length X.

The integrated stop in the tubing cutter PAN-V0S ensures that the sheath is always cut to the correct length X. The blade design prevents damage to the inner polyamide tubing.

Dimensions and ordering data

Push-in connector QS-V0	D1 ∅	D2 ∅	D3 ∅	X	Weight [g]	Part no.	Type	
I.D. 4 mm	4	6	2.5	14.7±1	20	133180	PAN-V0S-4	-  -
I.D. 6 mm	6	8	4	15.7±1	20	133181	PAN-V0S-6	-  -
I.D. 8 mm	8	10	6	16.7±1	21	133182	PAN-V0S-8	-  -
I.D. 10 mm	10	12	7.5	19.2±1	21	133183	PAN-V0S-10	-  -
I.D. 12 mm	12	14	9	22.7±1	21	133184	PAN-V0S-12	-  -

Datasheet

Pipe cutter ZR

For cutting plastic pipes PQ-PA with outside diameters of 12 to 28 mm to length. Not suitable for tubing with metal casing.

Note on materials:
RoHS-compliant

LABS (PWIS) conformity:
VDMA24364-B2-L



Ordering data	Weight [g]	Part no.	Type
Pipe cutter	361	194592	ZR

Pipe and tubing cutter ZRS

The pipe and tubing cutter ZRS is used for cutting to length plastic and nitrile rubber tubing with outside diameters of 2 to 20 mm, with or without textile insert. It is not suitable for tubing with metal sheath. It also has an integrated retaining clip to prevent unauthorised opening.

Note on materials:
RoHS-compliant

LABS (PWIS) conformity:
VDMA24364-B2-L



Ordering data	Weight [g]	Part no.	Type	PS ¹⁾
Pipe and tubing cutter with 2 spare blades	134	7658	ZRS	1
10 spare blades for pipe and tubing cutter	–	218606	ZRS 10PACK	10

1) Pack size