

Limit switch box SRBG

FESTO



Key features

Function

Limit switch boxes SRBG are the compact solution when it comes to electrical feedback signals and monitoring the position of process valves which are actuated with pneumatic quarter turn actuators. They can be mounted directly without other accessories on quarter turn actuators with a mounting interface to VDI/VDE 3845. Direct mounting means that they require minimal space.

Innovative

- Direct mounting on quarter turn actuators to VDI/VDE 3845
- No adjustment is necessary when mounting the sensor
- LED on-site indication of the switching status, supply voltage and solenoid valve output
- For clockwise and anticlockwise rotating actuators with 90° and 180° rotation

Flexible

- SRBG-...-M12 with space-saving sensor connection via M12 plug
- SRBG-...-C2 with clamped terminal connection for sensor and solenoid valve so that the sensor and solenoid valve can be connected to the same power supply if required
- Extensive range of switching outputs for virtually all applications
- AS-Interface versions for easy and cost-effective networking of sensors and solenoid valves
- Intrinsically safe Ex ia version for use in potentially explosive areas

Design

- Inductive double sensor
- Compact plastic housing
- PNP, NAMUR, 2-wire DC, AS-Interface switching outputs
- Direct mounting on quarter turn actuators to VDI/VDE 3845
- M12 plug or clamped terminal connection
- LED on-site status display
- IP67
- cULus Listed, General Purpose
- Intrinsically safe Ex ia version
- SIL 2 to IEC 61508



SIL certified
according IEC 61508

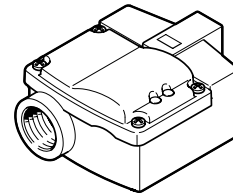
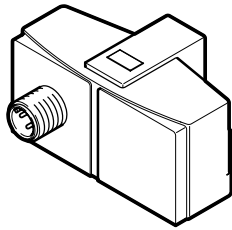


Product range overview

Product range overview

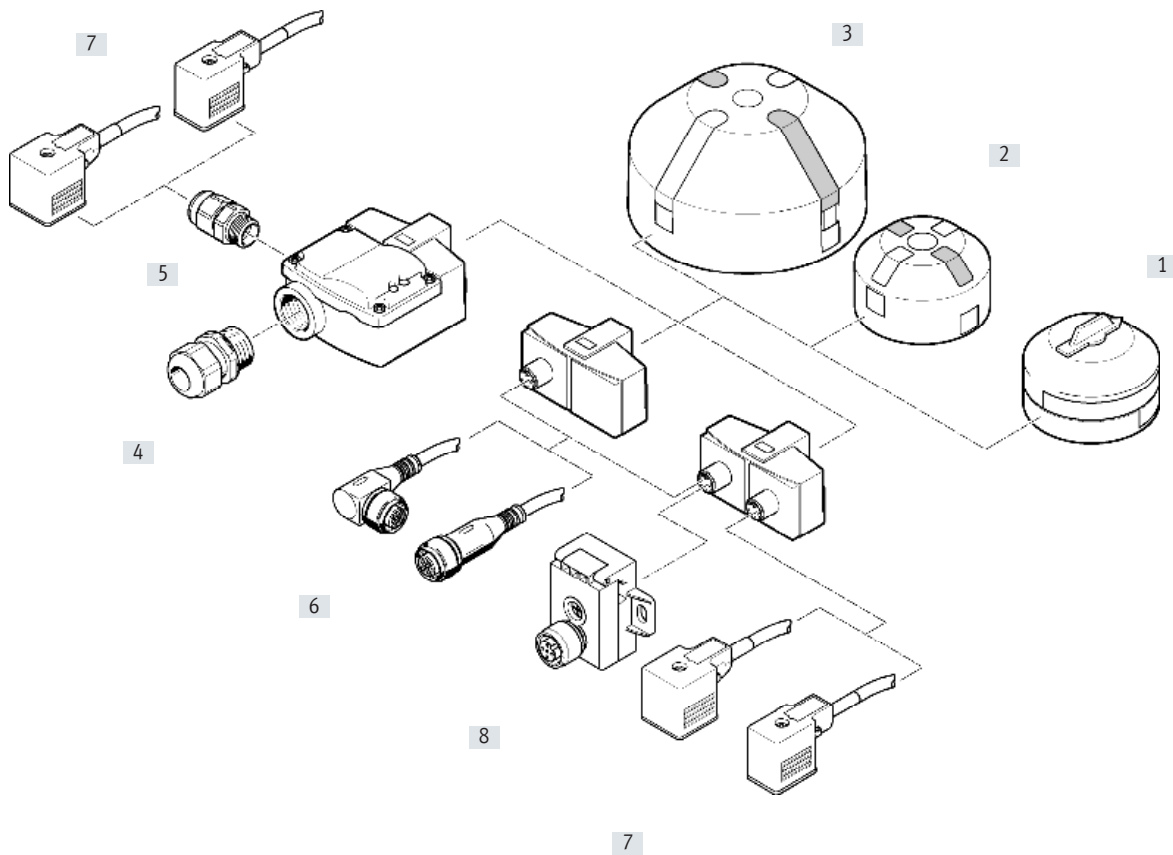
Variant SRBG-...-M12

Variant SRBG-...-C2



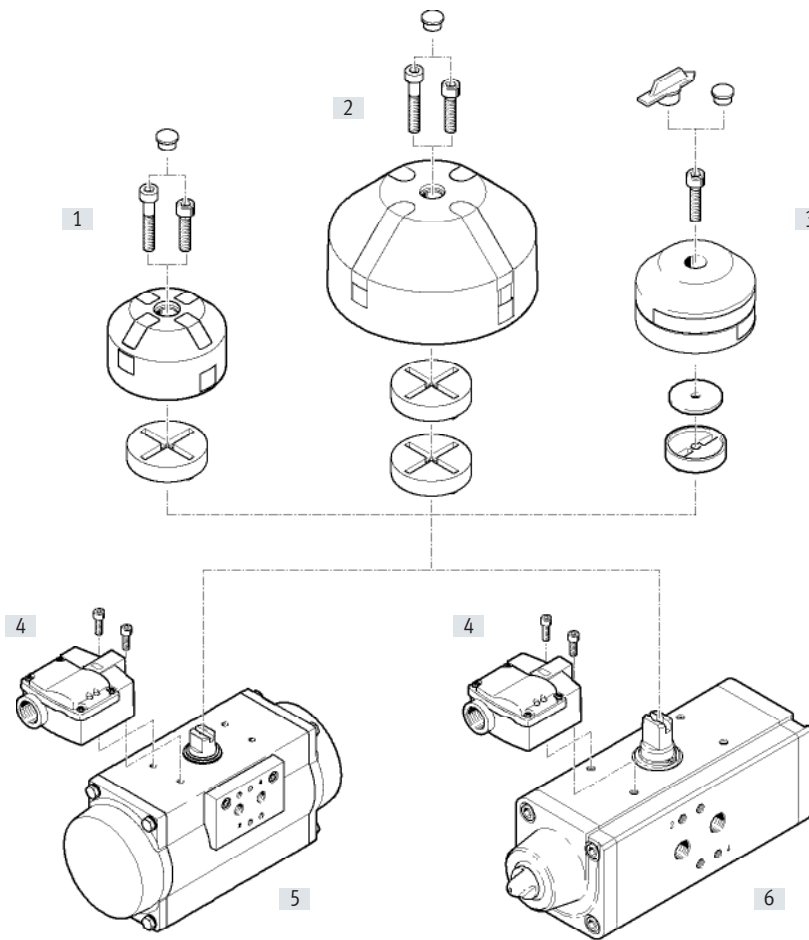
Electrical connection	Type	Operating voltage range [V]	Switching output	Switching element function	Pin allocation	→ Page
M12 plug	SRBG-C1-N-1-P-M12	10 ... 30	PNP	N/O		7
	SRBG-C1-N-1-ZU-M12	6 ... 60	Contactless, 2-wire	N/O		
	SRBG-C1-N-20N-ZC-M12-EX5	8.2	NAMUR	N/C		
	SRBG-C1-N-1-AS-M12-M12	26.5 ... 31.6	AS-Interface	Programmable		
Clamped terminal connection	SRBG-C1-N-1-P-C2-C2	10 ... 30	PNP	N/O		11
	SRBG-C1-N-1-ZU-C2-C2	6 ... 60	Contactless, 2-wire	N/O		
	SRBG-C1-N-20N-ZC-C2-C2-EX5	8.2	NAMUR	N/C		

Peripherals overview



Accessories	Brief description	→ Page/Internet
[1] Position indicator SASF-...-A20	<ul style="list-style-type: none"> • Setting range of swivel angle 0 ...360° • Adjustable actuating lugs 	14
[2] Position indicator SASF-...-A34	<ul style="list-style-type: none"> • Position indicator with 4 actuating elements fixed at an offset of 90° • For mounting hole pattern 30 x 80 mm, shaft height 20 mm and 30 mm 	14
[3] Position indicator SASF-...-A56	<ul style="list-style-type: none"> • Position indicator with 4 actuating elements fixed at an offset of 90° • For mounting hole pattern 30 x 130 mm, shaft height 30 mm and 50 mm 	14
[4] Cable connector NETC-P-M20-...	<ul style="list-style-type: none"> • Polymer cable connector M20x1.5 • Black • Blue 	18
[5] Cable connector NETC-P-M12-...	<ul style="list-style-type: none"> • Polymer cable connector M12x1.5 • Black • Blue 	18
[6] Connecting cables NEBU-M12	Connecting cable for system connection SRBG	18
[7] Connecting cables NEBV-...	Connecting cables for connecting a solenoid valve to SRBG-...-C2 or SRBG-...-M12-M12	18
[8] AS-Interface components	AS-Interface components for bus connection of SRBG-C1-N-1-AS-M12-M12	19

Peripherals overview



	Description	→ Page/Internet
[1] Position indicator SASF-...-A34	Included in the scope of delivery: <ul style="list-style-type: none"> • Screws M6x16 and M6x25, sealing plug, spacer • 3x black identification stoppers and 3x yellow identification stoppers 	14
[2] Position indicator SASF-...-A56	Included in the scope of delivery: <ul style="list-style-type: none"> • Screws M6x25 and M6x35, sealing plug, spacers • 3x black identification stoppers and 3x yellow identification stoppers 	14
[3] Position indicator SASF-...-A20	Included in the scope of delivery: <ul style="list-style-type: none"> • Screws M6x25, identification stopper and sealing plug, spacers • 2x yellow stick-on marking spots 	14
[4] Limit switch box SRBG	<ul style="list-style-type: none"> • M12 plug or clamped terminal connection • Direct mounting on quarter turn actuators to VDI/VDE 3845 	7
[5] Quarter turn actuators DFPD	<ul style="list-style-type: none"> • Size 10 ... 2300 → see "Combination options", swivel angle 0 ... 180° • NAMUR plug pattern to VDE/VDI 3845 	dfpd
[6] Quarter turn actuators DAPS	<ul style="list-style-type: none"> • Size 8 ... 8000 → see "Combination options", swivel angle 0 ... 180° • NAMUR plug pattern to VDE/VDI 3845 	daps

Combination options				
Function	Drives	Sizes	SASF-S2-B-F-A34	SASF-S2-B-F-A56
Double-acting	DFPD	10 ... 480	■	-
	DAPS	0008 ... 1920	■	-
	DAPS	2880 ... 8000	-	■
	DAPS-CR	0120 ... 0480	■	-
Single-acting	DFPD	20 ... 480	■	-
	DAPS	0015 ... 0960	■	-
	DAPS	1440 ... 4000	-	■
	DAPS-CR	0060 ... 0240	■	-

Type codes

001	Series	
SRBG	Sensor box	
002	Design type	
C1	Double sensor	
003	Sensor principle	
N	Proximity sensor, inductive	
004	Nominal operating voltage	
1	24 V DC	
20N	8.2 V DC (NAMUR)	

005	Electrical output 1	
P	PNP	
ZC	2-wire N/C contact	
ZU	2-wire N/O contact	
AS	AS-Interface	
006	Electrical connection	
C2	Screw terminal	
M12	Plug M12, A-coded	
007	Electrical connection, valve	
	None	
C2	Screw terminal	
M12	Plug M12, A-coded	
008	EU certification	
	None	
EX5	II 1G	

Data sheet

- Compact housing with M12 plug connection
- Direct mounting on quarter turn actuators to VDI/VDE 3845
- PNP, NAMUR, 2-wire DC, AS-Interface switching outputs
- AS-Interface version as A/B slave with extended addressing options for up to 62 slaves
- cULus Listed, General Purpose
- Intrinsically safe version to ATEX and SIL 2 to IEC 61508



General technical data				
Type SRBG-...	-P	-ZU	-ZC	-AS
Based on standard	VDI/VDE 3845			
	EN 60947-5-2		EN 60947-5-6	EN 60947-5-2
Mounting position	Any			

Electrical characteristic data				
Type SRBG-...	-P	-ZU	-ZC	-AS
Measuring principle	Inductive			
Switching output	PNP	Contactless, 2-wire	NAMUR	AS-Interface
Switching element function	N/O		N/C	N/C or N/O, switchable
Max. switching frequency [Hz]	500		3000	100
Max. switching output voltage [V DC]	-			26.4
Operating voltage range [V DC]	10 ... 30	6 ... 60	8.2	26.5 ... 31.6
Max. output current DC [mA]	100		3	100
Max. switching capacity DC [W]	-			2.5
Voltage drop [V]	≤ 3	≤ 6	-	
No-load supply current [mA]	≤ 25	-		≤ 35
Residual current [mA]	0 ... 0.5	0 ... 1	-	
Minimum load current [mA]	-		4	-
Reverse polarity protection	For all electrical connections			-
Short circuit current rating	Pulsed	-	Yes	-
AS-Interface				
Protocol	-			AS-Interface
Protocol version	-			V3.0
Addressing range	-			1A ... 31A (0) 1B ... 31B
Product identification	-			IO code: D ID code: A ID1 code: 7 ID2 code: E

Display/operation				
Type SRBG-...	-P	-ZU	-ZC	-AS
Ready status indication	Green LED	-		Green LED
Switching status indication	Yellow LED			
Status indication	-			Yellow LED = valve switching status
	-			LED red = wire break/short circuit at valve

Data sheet

Electromechanics				
Type SRBG-...	-P	-ZU	-ZC	-AS
Electrical connection, input	Plug			
	M12x1			
	4-pin			
Electrical connection, output	-			Socket
	-			M12x1
	-			4-pin

Operating and environmental conditions				
Type SRBG-...	-P	-ZU	-ZC	-AS
Ambient temperature [°C]	-25 ... +70		-25 ... +100	-25 ... +70
Storage temperature [°C]	-25 ... +70		-40 ... +100	-25 ... +70
Degree of protection	IP67			
Shock resistance	Shock test with severity level 2 to FN 942017-5 and EN 60068-2-27			
Vibration resistance	Transport application test with severity level 2 to FN 942017-4 and EN 60068-2-6			
Pollution degree	3			
Certification	c UL us (OL)			
	RCM			
KC mark	KC EMC		-	KC EMC
CE marking	To EU EMC Directive ¹⁾			
	-	To EU Explosion Protection Directive (ATEX)		-
ATEX category for gas	-	To EU RoHS Directive		-
Type of ignition protection for gas	-	II 1G		-
ATEX category for dust	-	Ex ia IICT6 Ga		-
Type of ignition protection for dust	-	II 1D		-
Explosion protection certification outside the EU	-	Ex ia IIICT200 135°C Da		-
Explosion-proof ambient temperature	-	EPL Da (IEC-Ex)		-
	-	EPL Ga (IEC Ex)		-
Explosion-proof ambient temperature	-	See ATEX certificate ²⁾		-
	-	See IECEx certificate ²⁾		-
Safety integrity level (SIL)	-	-25°C ≤ Ta ≤ +100°C		-
Effective internal inductance Li μH	-	SIL 2		-
Effective internal capacitance Ci nF	-	100		-
Max. input parameters for intrinsically safe circuit	-	100		-
	-	See IECEx certificate ²⁾		-
Certificate issuing authority	-	See ATEX certificate ²⁾		-
	-	2020960305001335	IECEx TUN 18.0003X	-
	-	-	TÜV 16 ATEX 174269 X	-

1) For information about the area of use, see the EC declaration of conformity at: www.festo.com/catalogue/... → Support/Downloads.

If the devices are subject to usage restrictions in residential, commercial or light-industrial environments, further measures for the reduction of the emitted interference may be necessary.

2) Additional information: www.festo.com/catalogue/... → Support/Downloads.

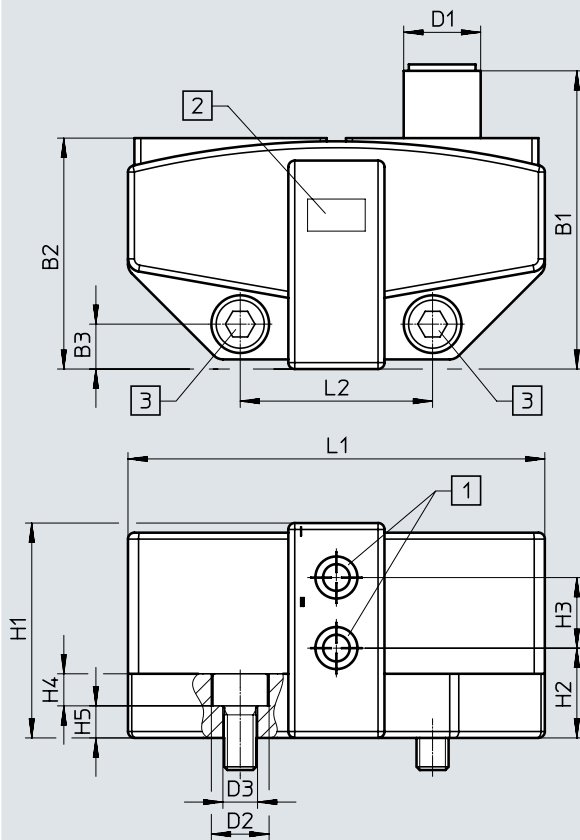
Materials	
Housing	PBT
Screws	High-alloy stainless steel
Note on materials	RoHS-compliant
	Contains paint-wetting impairment substances

Data sheet

Dimensions

Download CAD data → www.festo.com

SRBG-...-M12



- [1] Sensor detection field I and II
- [2] LED display
- [3] Screw M5x10

Type	B1	B2	B3	D1	D2 ∅	D3 ∅
SRBG-C1-N-1-P-M12	46.5	36	7	M12x1	9	5.4
SRBG-C1-N-1-ZU-M12						
SRBG-C1-N-20N-ZC-M12-EX5						

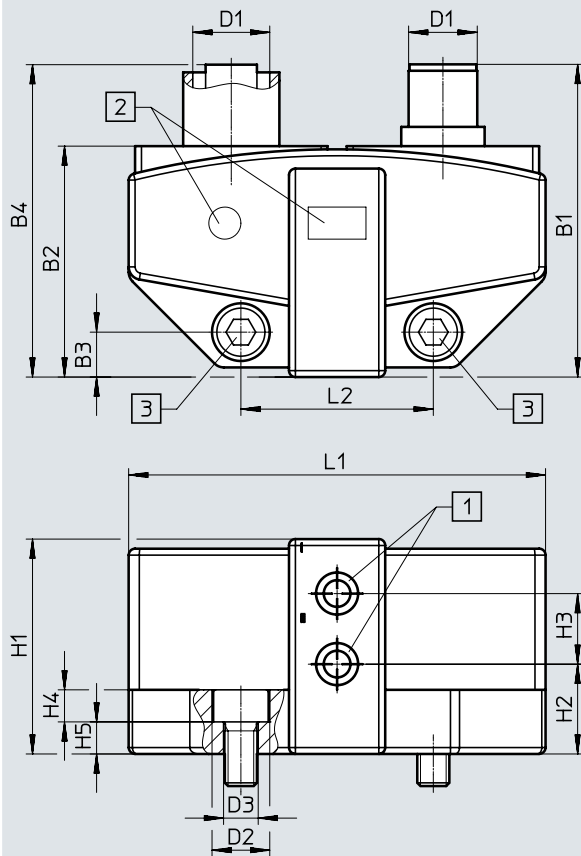
Type	H1	H2	H3	H4	H5	L1	L2
SRBG-C1-N-1-P-M12	33.5	14	11	5	3	65	30
SRBG-C1-N-1-ZU-M12							
SRBG-C1-N-20N-ZC-M12-EX5							

Data sheet

Dimensions

Download CAD data → www.festo.com

SRBG-...-M12-M12



- [1] Sensor detection field I and II
- [2] LED display
- [3] Screw M5x10

Type	B1	B2	B3	B4	D1	D2 ∅	D3 ∅
SRBG-C1-N-1-AS-M12-M12	48	36	7	51	M12x1	9	5.4

Type	H1	H2	H3	H4	H5	L1	L2
SRBG-C1-N-1-AS-M12-M12	33.5	14	11	5	3	65	30

Ordering data

	Brief description	Dimensions [mm]	Weight [g]	Part no.	Type
	Limit switch boxes with M12 plug connection	65 x 45, H: 35	70	3568055	SRBG-C1-N-1-P-M12
				3568056	SRBG-C1-N-1-ZU-M12
				3568057	SRBG-C1-N-20N-ZC-M12-EX5
				3567908	SRBG-C1-N-1-AS-M12-M12

Data sheet

- Compact housing with clamped terminal connection for sensor and solenoid valve
- Direct mounting on quarter turn actuators to VDI/VDE 3845
- PNP, NAMUR, 2-wire DC switching outputs
- cULus Listed, General Purpose
- Intrinsically safe version to ATEX and SIL 2 to IEC 61508



General technical data			
Type SRBG-...	-P	-ZU	-ZC
Based on standard	VDI/VDE 3845		
	EN 60947-5-2		EN 60947-5-6
Mounting position	Any		

Electrical characteristic data			
Type SRBG-...	-P	-ZU	-ZC
Measuring principle	Inductive		
Switching output	PNP	Contactless, 2-wire	NAMUR
Switching element function	N/O		N/C
Max. switching frequency [Hz]	500		3000
Operating voltage range [V DC]	10 ... 30	6 ... 60	8.2
Max. output current DC [mA]	100		3
Voltage drop [V]	≤ 3	≤ 6	-
No-load supply current [mA]	≤ 25		-
Residual current [mA]	0 ... 0.5	0 ... 1	-
Minimum load current [mA]	-	4	-
Reverse polarity protection	For all electrical connections		
Short circuit current rating	Pulsed	-	Yes

Display/operation			
Type SRBG-...	-P	-ZU	-ZC
Ready status indication	Green LED	-	
Switching status indication	Yellow LED		
Status indication	Yellow LED = valve switching status		

Data sheet

Electromechanics			
Type SRBG-...	-P	-ZU	-ZC
Electrical connection, input	Spring-loaded terminal		
Electrical connection, output	Spring-loaded terminal		
Cable connector	M20x1.5		
	M12x1.5		
Connectable nominal conductor cross section [mm ²]	0.2 ... 2.5		
Operating and environmental conditions			
Type SRBG-...	-P	-ZU	-ZC
Ambient temperature [°C]	-25 ... +70		-25 ... +100
Storage temperature [°C]	-25 ... +70		-40 ... +100
Degree of protection	IP67		
Shock resistance	Shock test with severity level 2 to FN 942017-5 and EN 60068-2-27		
Vibration resistance	Transport application test with severity level 2 to FN 942017-4 and EN 60068-2-6		
Pollution degree	3		
Certification	c UL us (OL)		
	RCM		
KC mark	KC EMC		-
CE marking	To EU EMC Directive ¹⁾		
	-		To EU Explosion Protection Directive (ATEX)
ATEX category for gas	-		II 1G
Type of ignition protection for gas	-		Ex ia IIC T6 Ga
Explosion-proof ambient temperature	-		-25°C ≤ Ta ≤ +86°C
Safety integrity level (SIL)	-		SIL 2
Explosion protection certification outside the EU	-		EPL Ga (IEC Ex)
Explosion-proof ambient temperature	-		See ATEX certificate ²⁾
	-		See IECEx certificate ²⁾
Explosion-proof ambient temperature	-		-25°C ≤ Ta ≤ +100°C
Safety integrity level (SIL)	-		SIL 2
Effective internal inductance Li μH	-		100
Effective internal capacitance Ci nF	-		100
Max. input parameters for intrinsically safe circuit	-		See IECEx certificate ²⁾
	-		See ATEX certificate ²⁾
Certificate issuing authority	-		IECEx TUN 18.0003X
	-		TÜV 16 ATEX 174269 X

1) For information about the area of use, see the EC declaration of conformity at: www.festo.com/catalogue/... → Support/Downloads.

If the devices are subject to usage restrictions in residential, commercial or light-industrial environments, further measures for the reduction of the emitted interference may be necessary.

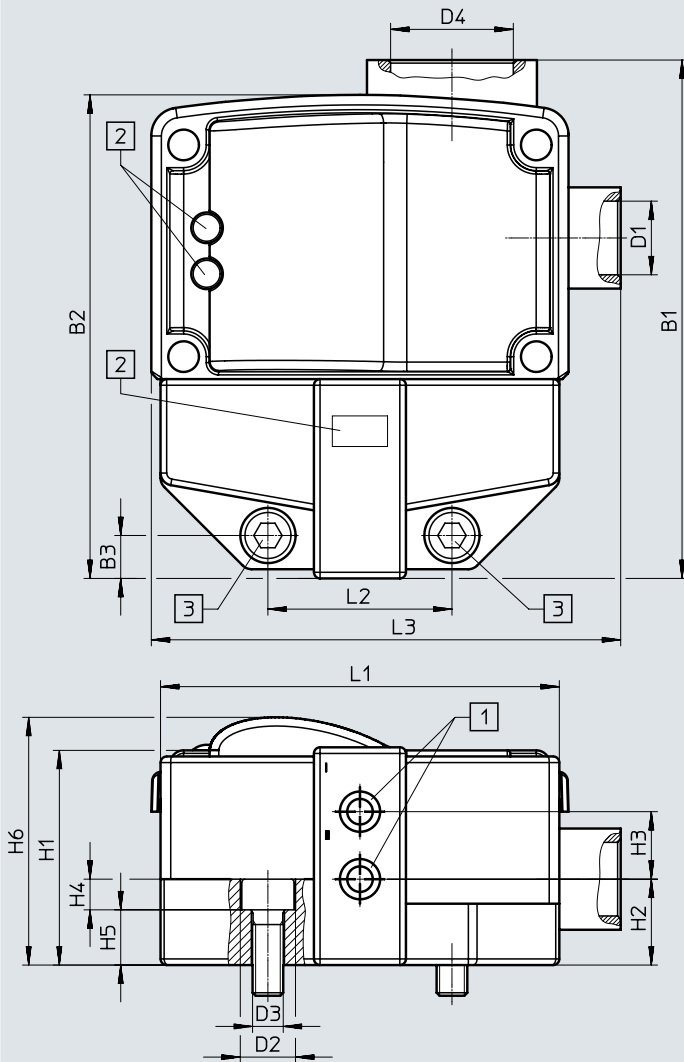
2) Additional information: www.festo.com/catalogue/... → Support/Downloads.

Materials	
Housing	PBT
Screws	High-alloy stainless steel
Note on materials	RoHS-compliant
	Contains paint-wetting impairment substances

Data sheet

Dimensions

Download CAD data → www.festo.com




- [1] Sensor detection field I and II
- [2] LED display
- [3] Screw M5x10

Type	B1	B2	B3	D1	D2 ∅	D3 ∅	D4	H1
SRBG-C1-N-1-P-C2-C2	84.5	78.8	7	M12x1.5	9	5.4	M20x1.5	35
SRBG-C1-N-1-ZU-C2-C2								
SRBG-C1-N-20N-ZC-C2-C2-EX5								

Type	H2	H3	H4	H5	H6	L1	L2	L2
SRBG-C1-N-1-P-C2-C2	14	11	5	5	40	65	30	76.5
SRBG-C1-N-1-ZU-C2-C2								
SRBG-C1-N-20N-ZC-C2-C2-EX5								

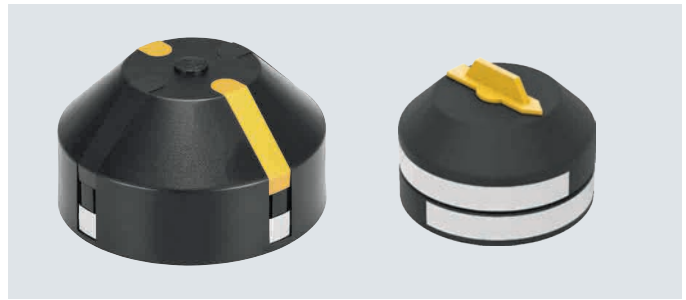
Ordering data

	Brief description	Dimensions [mm]	Weight [g]	Part no.	Type
	Limit switch boxes with clamped terminal connection	65 x 90, H: 40	170	3568165	SRBG-C1-N-1-P-C2-C2
				3568166	SRBG-C1-N-1-ZU-C2-C2
				3568167	SRBG-C1-N-20N-ZC-C2-C2-EX5

Accessories

Position indicators SASF

- For mounting on drive shaft of standard actuators to VDI/VDE 3845
- Four fixed actuating lugs offset by 90°
- For clockwise and anticlockwise rotating actuators with 90° and 180° rotation
- Made from conductive plastic material, which prevents static discharge and is suitable for use in ATEX zones
- Two position indicators suitable for all quarter turn actuator sizes



General technical data			
Type SASF-...	-A20	-A34	-A56
Dimensions W x L x H	Ø 65 x 48.5	Ø 65 x 40	Ø 115 x 62
Type of mounting	To VDI/VDE 3845		
Housing colour	Black		
Setting range of swivel angle [deg]	0 ... 360	0 ... 90	
Additional functions	Adjustable actuating lugs	-	

Operating and environmental conditions			
Type SASF-...	-A20	-A34	-A56
Ambient temperature [°C]	-25 ... +70		
Shock resistance	Shock test with severity level 2 to FN 942017-5 and EN 60068-2-27		
Vibration resistance	Transport application test with severity level 2 to FN 942017-4 and EN 60068-2-6		

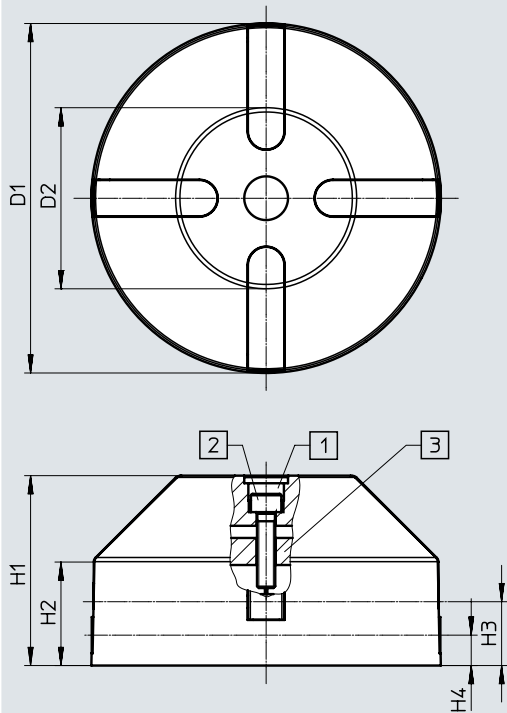
- 1) For information about the area of use, see the EC declaration of conformity at: www.festo.com/catalogue/... → Support/Downloads.
If the devices are subject to usage restrictions in residential, commercial or light-industrial environments, further measures for the reduction of the emitted interference may be necessary.

Materials	
Housing	PA
	PP
	High-alloy stainless steel
Spacer	PA
Screws	High-alloy stainless steel
Note on materials	RoHS-compliant
	Contains paint-wetting impairment substances

Accessories

Dimensions

Download CAD data → www.festo.com



- [1] Sealing plug
- [2] Screw DIN 912 M6x25
- [3] Spacer

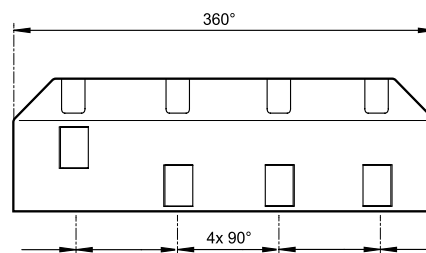
Type	D1 ø	D2 ø	H1	H2	H3	H4
SASFS2-B-F-A34	65	41.9	38.5	26.5	18.5	7.5
SASFS2-B-F-A56	115	59	62.5	34	21	10

Sensing range

SASF...-A34

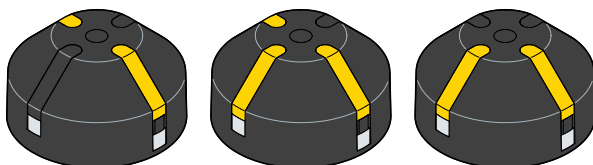


- Included in the scope of delivery:
- 3x black identification stoppers
 - 3x yellow identification stoppers

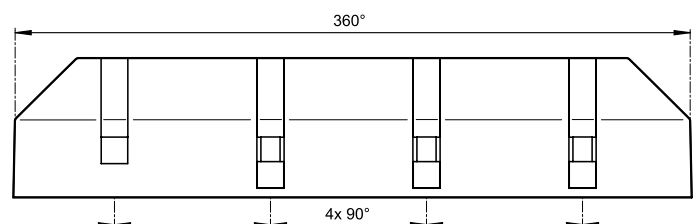


- Lateral surface, shown unrolled:
- 4 actuating lugs, offset by 90° to one another
 - Actuating lugs cannot be adjusted

SASF...-A56



- Included in the scope of delivery:
- 3x black identification stoppers
 - 3x yellow identification stoppers

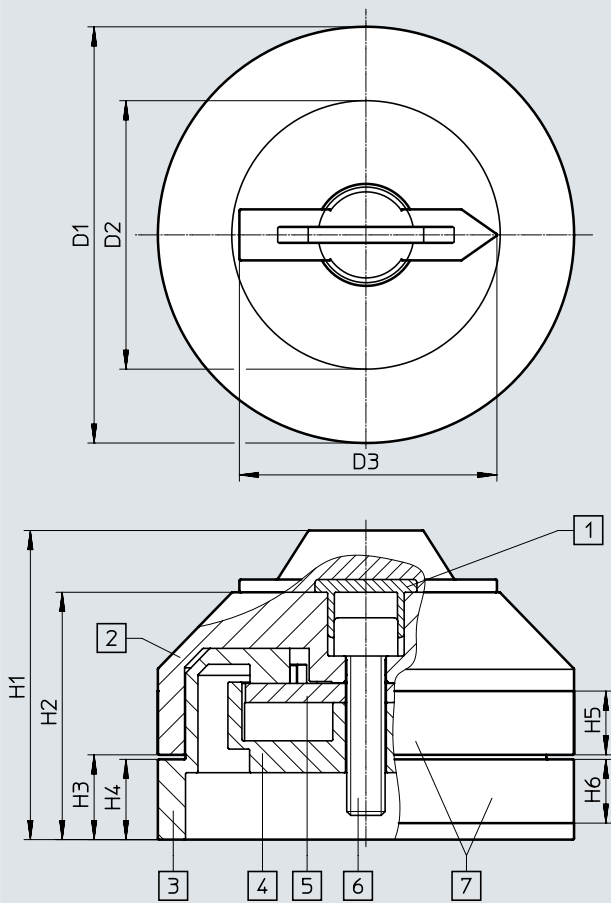


- Lateral surface, shown unrolled:
- 4 actuating lugs, offset by 90° to one another
 - 3 of the actuating lugs are height-adjustable (tool required)

Accessories

Dimensions

Download CAD data → www.festo.com

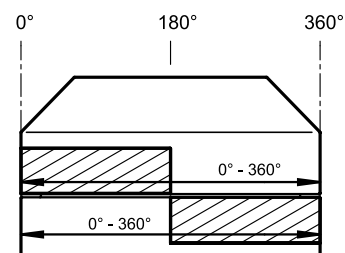


- [1] Sealing plug
- [2] Upper level
- [3] Lower level
- [4] Spacer disc
- [5] Rubber washer
- [6] Screw M6x25
- [7] Actuating lugs

Type	D1 ∅	D2 ∅	D3 ∅	H1	H2	H3	H4	H5	H6
SASF-S2-B-V-A20	65	42	40.4	48.5	38.8	13.3	12.6	10	10

Sensing range

SASF-...-A20

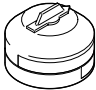
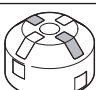
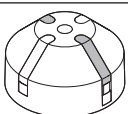


Included in the scope of delivery:

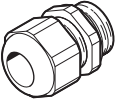
- 2x yellow stick-on marking spots


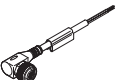
- Upper and lower level infinitely adjustable

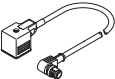
Accessories

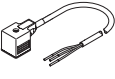
Ordering data – Position indicator							
	Description	Dimensions W x L x H	Setting range of swivel angle [deg]	Additional functions	Weight [g]	Part no.	Type
	Mounting on drive shaft of standard actuators to VDI/VDE 3845	Ø 65 x 48.5	0 ... 360	Adjustable actuating lugs	96	8140395	SASF-S2-B-V-A20
		Ø 65 x 40	0 ... 90	–	55	4046082	SASF-S2-B-F-A34
		Ø 115 x 62	0 ... 90	–	140	4077125	SASF-S2-B-F-A56

Accessories

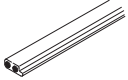
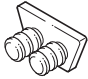

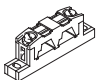
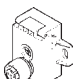
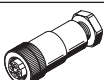
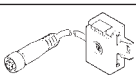

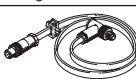
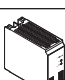
Ordering data		Description	Colour	Part no.	Type
Cable connectors NETC					
	M20x1.5 made from polymer	Black	4464895	NETC-P-M20	
		Blue	4197362	NETC-P-M20-EX4	
	M12x1.5 made from polymer	Black	4197367	NETC-P-M12	
		Blue	4197366	NETC-P-M12-EX4	

Ordering data		Electrical connection	Cable length [m]	Protective circuit	Part no.	Type
		On left	On right			
Connecting cables NEBU						
	Straight socket, M12x1, 5-pin	Cable, open end, 4-wire	2.5	-	550326	NEBU-M12G5-K-2.5-LE4
			5		541328	NEBU-M12G5-K-5-LE4
			7		8003134	NEBU-M12G5-K-7-LE4
	Angled socket, M12x1, 5-pin	Cable, open end, 4-wire	2.5	-	550325	NEBU-M12W5-K-2.5-LE4
			5		541329	NEBU-M12W5-K-5-LE4
			10		569841	NEBU-M12W5-K-10-LE4

Connecting cables NEBV for valve connection for limit switch boxes with AS-Interface						
	Angled socket, plug pattern type A, EN 175301-803	Cable, open end, 4-wire	0.3	Yes	3679771	NEBV-A1W3F-P-K-0.3-N-M12W3
				No	3579461	NEBV-A1W3-K-0.3-N-M12W3
			0.6	Yes	3679772	NEBV-A1W3F-P-K-0.6-N-M12W3
				No	3579462	NEBV-A1W3-K-0.6-N-M12W3
	Angled socket, connection pattern type B, to industry standard 11 mm	Cable, open end, 4-wire	0.3	Yes	3679773	NEBV-B2W3F-P-K-0.3-N-M12W3
				No	3579463	NEBV-B2W3-K-0.3-N-M12W3
			0.6	Yes	3679774	NEBV-B2W3F-P-K-0.6-N-M12W3
				No	3579464	NEBV-B2W3-K-0.6-N-M12W3

Connecting cables NEBV for valve connection for limit switch boxes with clamped terminal connection						
	Angled socket, plug pattern type A, EN 175301-803	Cable, open end, 4-wire	0.6	Yes	3679776	NEBV-A1W3F-P-K-0.6-N-LE3
				No	3579466	NEBV-A1W3-K-0.6-N-LE3
	Angled socket, connection pattern type B, to industry standard 11 mm	Cable, open end, 4-wire	0.6	Yes	3679778	NEBV-B2W3F-P-K-0.6-N-LE3
				No	3579468	NEBV-B2W3-K-0.6-N-LE3

Accessories

Ordering data	Description	Part no.	Type
AS-Interface components			
	Flat cable for AS-Interface components, yellow, cable length 100 m	18940	KASI-1.5-Y-100
	Flat cable for AS-Interface components, black, cable length 100 m	18941	KASI-1.5-Z-100
	Cable cap for flat cable (pack of 50)	18787	ASI-KK-FK
	Cable sleeve (pack of 20)	165593	ASI-KT-FK
	Cable distributor for flat cables, rotatable cables	18786	ASI-KVT-FK
	Cable distributor for flat cables, symmetrical cables	18797	ASI-KVT-FK-S
	AS-Interface data to socket M12, 4-pin	572225	NEFU-X22F-M12G4
	Straight socket, 4-pin, screw terminal for connecting AS-Interface stations to the AS-Interface bus system	18789	ASI-SD-PG-M12
	AS-Interface data and load voltage supply to socket M12, 4-pin, cable length 1 m	572227	NEFU-X24F-1-M12G4
Other			
	Addressing device for AS-Interface stations	18959	ASI-PRG-ADR
	Addressing cable for addressing device	18960	KASI-ADR
	Primary switched mode, modular power supply, 24 V DC power supply 5 A, 10 A	2247681	CACN-3A-1-5
		2247682	CACN-3A-1-10

Festo - Your Partner in Automation



1 Festo Inc.
5300 Explorer Drive
Mississauga, ON L4W 5G4
Canada

Festo Customer Interaction Center
Tel: 1 877 463 3786
Fax: 1 877 393 3786
Email: customer.service.ca@festo.com



2 Festo Pneumatic
Av. Ceylán 3,
Col. Tequesquináhuac
54020 Tlalnepantla,
Estado de México

Multinational Contact Center
01 800 337 8669
ventas.mexico@festo.com



3 Festo Corporation
1377 Motor Parkway
Suite 310
Islandia, NY 11749

Festo Customer Interaction Center
1 800 993 3786
1 800 963 3786
customer.service.us@festo.com



4 Regional Service Center
7777 Columbia Road
Mason, OH 45040

Connect with us



www.festo.com/socialmedia



www.festo.com

Subject to change