

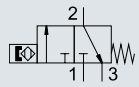
## Proximity switches SMPO-8E, for T-slot, pneumatic

**FESTO**



## Datasheet

Function  
3/2-way valve,  
normally closed



- Pneumatic proximity switch
- Magnetic measuring principle



Design	
Design type	For T-slot
Type of mounting	Inserted in the slot from above
	Via through-hole
	Via accessories
Outlet direction of connection	Lateral
Reproducibility of switching value <sup>1)</sup>	[mm] ±0.2
Switching status indication	Optical

1) Only applicable to drives secured against rotation.

Technical data	
Switching element function	3/2-way valve, normally closed
Operating medium	Compressed air to ISO 8573-1:2010 [6:4:4]
Note on the operating/pilot medium	Lubricated operation not possible
Operating pressure	[bar] 2 ... 8
Switch-on time	[ms] 22
Switch-off time	[ms] 52
Pneumatic connection	Female thread M5
Degree of protection	IP65

Operating and environmental conditions	
Ambient temperature	[°C] -15 ... +60
Corrosion resistance class CRC <sup>1)</sup>	2

1) Corrosion resistance class CRC 2 to Festo standard FN 940070

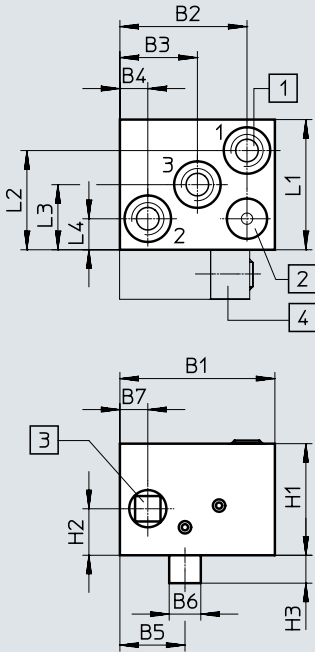
Moderate corrosion stress. Indoor applications in which condensation can occur. External visible parts with primarily decorative surface requirements which are in direct contact with a normal industrial environment.

Materials	
Housing	Anodised aluminium
	High-alloy steel
	PA
Note on materials	Free of copper and PTFE
	RoHS-compliant

Product weight [g]	
Pneumatic proximity switch	11

Datasheet

Dimensions



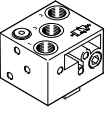
Download CAD data → [www.festo.com](http://www.festo.com)

- [1] M5 for barbed fitting
- [2] Yellow LED
- [3] Max. tightening torque 0.6 Nm (spanner size 2.5)
- [4] Mounting kit SMB-8E

Dimensions

	B1	B2	B3	B4	B5 ±0.3	B6 ±0.05	B7 ±0.2	H1	H2	H3	L1	L2	L3	L4
SMPO-8E	25	20.5	12.5	4.5	10.5	5.1	4.5	18	7.5	4.5	21	16	10.5	5

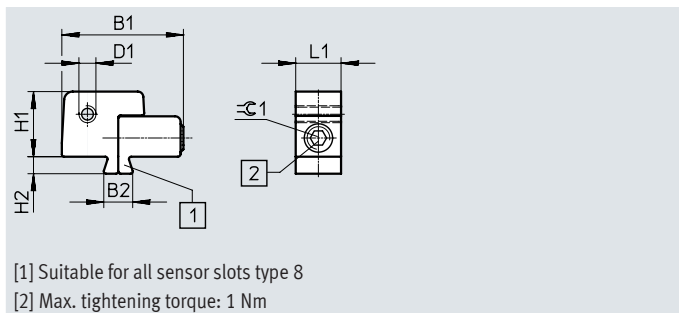
Ordering data

	Pneumatic connection	Part no.	Type
	<b>3/2-way valve, normally closed</b>		
	Female thread M5	<b>178563</b>	<b>SMPO-8E</b>

## Accessories

### Mounting kit SMB-8E

Material:  
 Profile: Anodised aluminium,  
 RoHS-compliant  
 Screws: High-alloy stainless steel

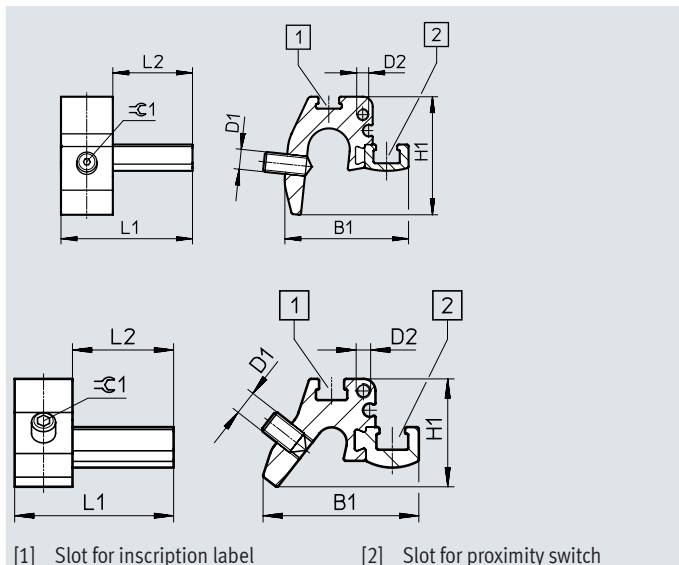


#### Dimensions and ordering data

For piston $\varnothing$	B1 +0.5/-1	B2 -0.2	D1	H1	H2 +0.2	L1 $\pm 0.2$	$\approx \varnothing$	Part no.	Type
10 ... 125	21.5	5.1	M3	11.5	3	8	2.5	178230	SMB-8E

### Mounting SMBZ-8-...

Design type: For tie rod  
 Mounting position: Any  
 Type of mounting: Clamped  
 Tightening torque:  $\leq 0.5$  Nm  
 Ambient temperature:  
 -40 ... +120 °C  
 PWIS conformity:  
 VDMA24364-B2-L



Material:  
 Housing: Anodised wrought  
 aluminium alloy  
 Screws: High-alloy stainless steel  
 Free of copper and PTFE  
 RoHS-compliant

#### Dimensions and ordering data

For piston $\varnothing$	B1	D1	D2	H1	L1	L2	$\approx \varnothing$	Product weight [g]	CRC <sup>1)</sup>	Part no.	Type
32 ... 100	31	M5	M3	30	33	20	1.5	14	2	537806	SMBZ-8-32/100
125 ... 320	32.3			22			2.5			537808	SMBZ-8-125/320

1) Corrosion resistance class CRC 2 to Festo standard FN 940070  
 Moderate corrosion stress. Indoor applications in which condensation can occur. External visible parts with primarily decorative surface requirements which are in direct contact with a normal industrial environment.

#### Ordering data

		[mm]	Part no.	Type	Datasheets → Internet: qs
	Push-in fitting with connecting thread M5 for tubing O.D.	3	153302	QSM-M5-3	
		4	153304	QSM-M5-4	
		6	153306	QSM-M5-6	
	Push-in L-fitting with connecting thread M5 for tubing O.D.	3	153331	QSML-M5-3	
		4	153333	QSML-M5-4	
		6	153335	QSML-M5-6	

# Festo - Your Partner in Automation



**1 Festo Inc.**  
5300 Explorer Drive  
Mississauga, ON L4W 5G4  
Canada

**Festo Customer Interaction Center**  
Tel: 1 877 463 3786  
Fax: 1 877 393 3786  
Email: customer.service.ca@festo.com



**2 Festo Pneumatic**  
Av. Ceylán 3,  
Col. Tequesquináhuac  
54020 Tlalnepantla,  
Estado de México

**Multinational Contact Center**  
01 800 337 8669  
ventas.mexico@festo.com



**3 Festo Corporation**  
1377 Motor Parkway  
Suite 310  
Islandia, NY 11749

**Festo Customer Interaction Center**  
1 800 993 3786  
1 800 963 3786  
customer.service.us@festo.com



**4 Regional Service Center**  
7777 Columbia Road  
Mason, OH 45040

Connect with us



[www.festo.com/socialmedia](http://www.festo.com/socialmedia)



[www.festo.com](http://www.festo.com)

Subject to change