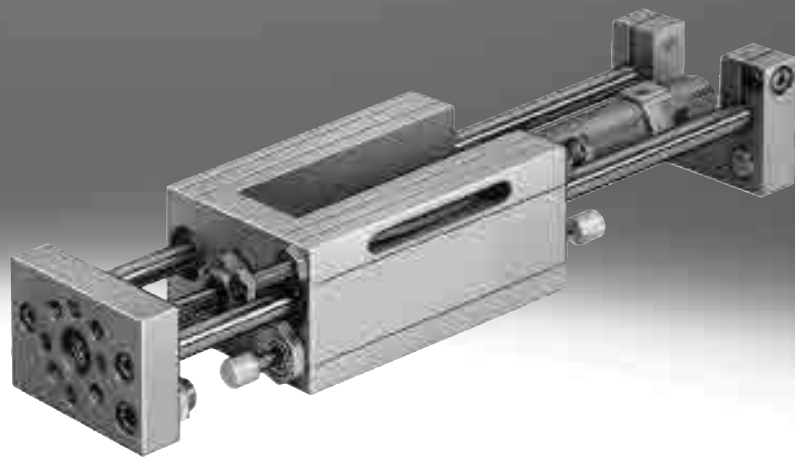


Linear drive units SLE

FESTO



Key features

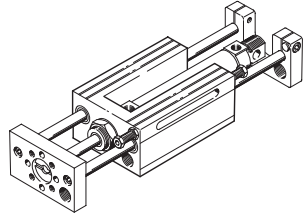
Design

The linear drive unit SLE is a combination of a guide unit and a standards-based cylinder. The drive moves a flange plate

The modular system enables customised end-position cushioning and end-position sensing solutions.

Basic unit

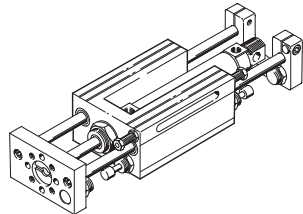
SLE...-G



Standard unit

SLE...-S

With two self-adjusting shock absorbers and two inductive proximity switches with PNP output



Type codes

| | |
|------------|-------------------|
| 001 | Series |
| SLE | Linear drive unit |

| | |
|------------|-------------|
| 002 | Size |
| 10 | 10 |
| 16 | 16 |
| 20 | 20 |
| 25 | 25 |
| 32 | 32 |
| 40 | 40 |
| 50 | 50 |

| | |
|------------|---------------|
| 003 | Stroke |
| ... | 10 ... 500 |

| | |
|------------|----------------------------------|
| 004 | Guide |
| KF | Recirculating ball bearing guide |

| | |
|------------|-------------------------|
| 005 | Position sensing |
| A | For proximity sensor |

| | |
|------------|--|
| 006 | Solution package |
| S | Solution package=G - CV - CH - PV - PH |

| | |
|------------|--|
| 007 | Basic unit |
| G | Linear drive unit with pneumatic drive |

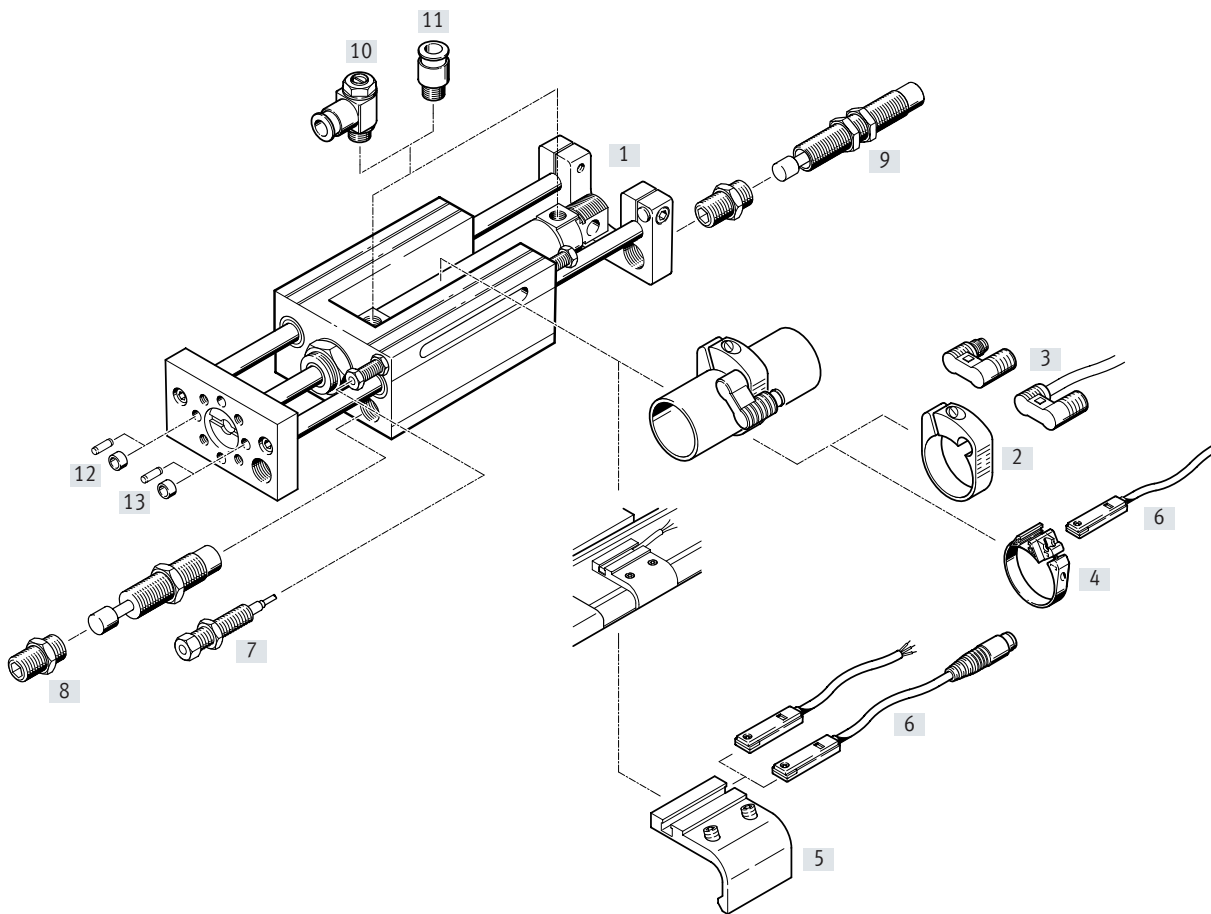
| | |
|------------|---|
| 008 | Shock absorber at front |
| | None |
| CV | Shock absorber, self-adjusting, with stop, at front |
| YV | Shock absorber, adjustable, with stop at front |

| | |
|------------|---|
| 009 | Shock absorber at rear |
| | None |
| CH | Shock absorber, self-adjusting, with stop at rear |
| YH | Shock absorber, adjustable, with stop at rear |

| | |
|------------|---|
| 010 | Sensor at front |
| | None |
| PV | Inductive proximity sensor, PNP, cable 2.5 m, stop sleeve, at front |
| NV | Inductive proximity sensor, NPN, 2.5 m cable, stop sleeve, at front |

| | |
|------------|--|
| 011 | Sensor at rear |
| | None |
| PH | Inductive proximity sensor, PNP, cable 2.5 m, stop sleeve, rear |
| NH | Inductive proximity sensor, NPN, cable 2.5 m, stop sleeve, at rear |

Peripherals overview

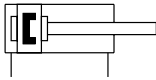


Peripherals overview

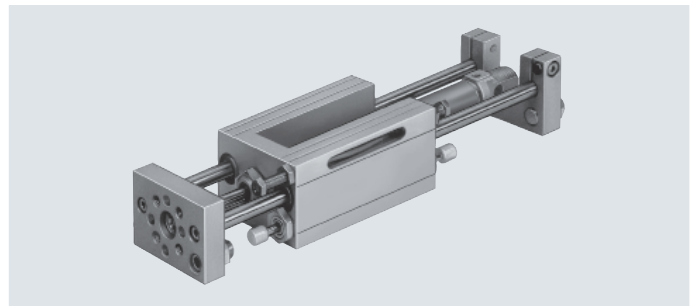
| Accessories | | Brief description | Piston \varnothing 10 ... 20 mm | Piston \varnothing 25 mm | Piston \varnothing 32 ... 50 mm | → Page/Internet |
|-------------|---|--|--------------------------------------|-------------------------------|--------------------------------------|-----------------|
| [1] | Standards-based cylinder DSNU | Drive for the flange plate | ■ | ■ | – | 15 |
| | Standards-based cylinder DNC | Drive for the flange plate | – | – | ■ | 15 |
| [2] | Mounting kit SMBR | To be attached to standards-based cylinder DSNU | ■ | ■ | – | 15 |
| [3] | Proximity switch SMEO/SMTO-4U | Can be integrated in mounting kit SMBR | ■ | ■ | – | 15 |
| [4] | Mounting kit SMBR-8 | To be attached to standards-based cylinder DSNU | ■ \varnothing 20 | ■ | – | 16 |
| [5] | Mounting kit SMB-8-FENG | To be attached to standards-based cylinder DNC | – | – | ■ | 16 |
| [6] | Proximity switch SME/SMT-8 | Can be integrated in mounting kit SMBR-8 or SMB-8-FENG | ■ \varnothing 20 | ■ | ■ | 16 |
| [7] | Switching stop with proximity switch SL...-SIE-PS/SL...-SIE-NS | Can be integrated in end plate | ■ | ■ | ■ | 14 |
| [8] | Shock absorber kit, self-adjusting SLE...-YSR-C | Higher speeds can be decelerated using shock absorbers | ■ | ■ | ■ | 14 |
| [9] | Shock absorber kit, adjustable SLZ...-KF-A | Higher speeds can be decelerated using shock absorbers | ■ \varnothing 20 | ■ | ■ | 14 |
| [10] | One-way flow control valve GRLA | For regulating speed | ■ | ■ | ■ | 17 |
| [11] | Push-in fitting QS | For connecting compressed air tubing with standard O.D. | ■ | ■ | ■ | qs |
| [12] | Centring pin ZBS | For centring loads and attachments | ■ | – | – | 15 |
| [13] | Centring sleeve ZBH | For centring loads and attachments | – | ■ | ■ | 15 |

Data sheet

Function



www.festo.com



- Diameter
10 ... 50 mm
- Stroke length
10 ... 500 mm

| General technical data | | | | | | | |
|--|---|------------|--------------------|----|------------|------|----|
| Piston \varnothing | 10 | 16 | 20 | 25 | 32 | 40 | 50 |
| Stroke [mm] | 10 ... 100 | 10 ... 200 | 10 ... 320 | | 10 ... 500 | | |
| Pneumatic connection | M5 | | G1/8 | | | G1/4 | |
| Mode of operation | Double-acting | | | | | | |
| Design | Linear drive unit | | | | | | |
| | Standards-based cylinder | | | | | | |
| End-position cushioning via shock absorber | Self-adjusting at both ends | | | | | | |
| | - | | Adjustable at rear | | | | |
| Position sensing | Via proximity switch | | | | | | |
| Type of mounting | Via through-hole | | | | | | |
| | With female thread | | | | | | |
| Mounting position | Any | | | | | | |
| Protection against rotation/guide | Guide rods with yoke/ball bearing guide | | | | | | |

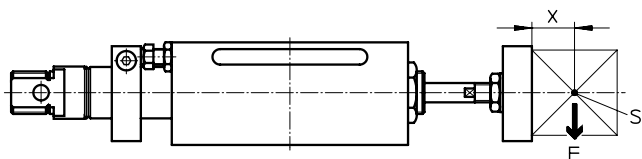
| Operating and environmental conditions | | | | | | | |
|--|--|-------------|----|----|--------------|----|----|
| Piston \varnothing | 10 | 16 | 20 | 25 | 32 | 40 | 50 |
| Operating medium | Compressed air to ISO 8573-1:2010 [7:4:4] | | | | | | |
| Note on the operating/pilot medium | Lubricated operation possible (in which case lubricated operation will always be required) | | | | | | |
| Operating pressure | [MPa] | 0.25 ... 1 | | | 0.15 ... 1.2 | | |
| | [psi] | 35 ... 145 | | | 21 ... 180 | | |
| | [bar] | 2.5 ... 10 | | | 1.5 ... 12 | | |
| | Ambient temperature ¹⁾ [°C] | -20 ... +80 | | | | | |

1) Note operating range of proximity switches.

| Forces [N] | | | | | | | |
|--|----|-----|-----|-----|-----|-----|------|
| Piston \varnothing | 10 | 16 | 20 | 25 | 32 | 40 | 50 |
| Theoretical force at 6 bar, advancing | 47 | 121 | 188 | 295 | 483 | 754 | 1178 |
| Theoretical force at 6 bar, retracting | 40 | 104 | 158 | 247 | 415 | 633 | 990 |

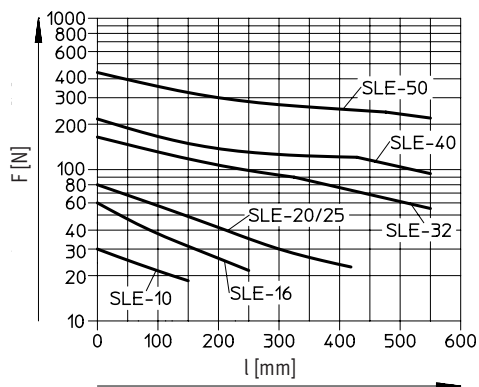
Data sheet

Permissible dynamic load

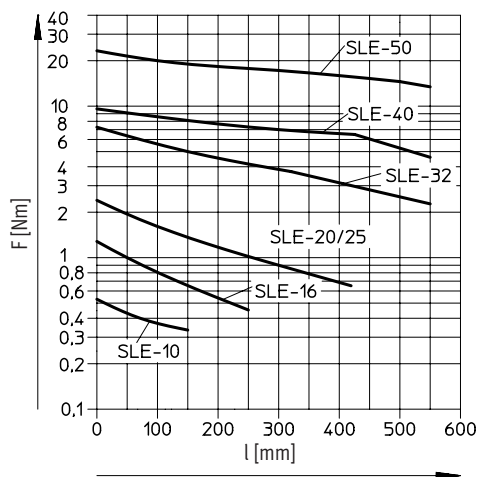


- S = Centre of gravity of the payload
- X = 25 mm
- F = Payload

Permissible payload F as a function of stroke l



Permissible torque M as a function of stroke l



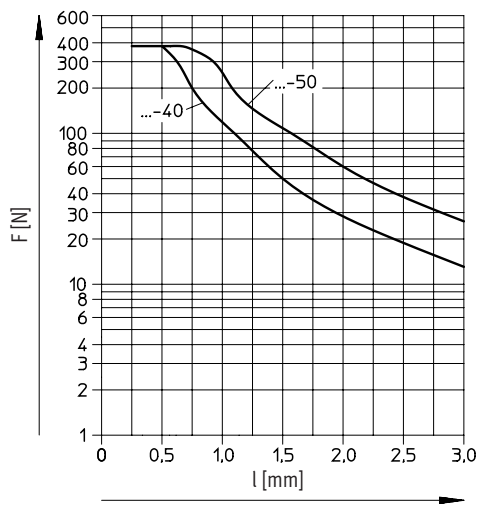
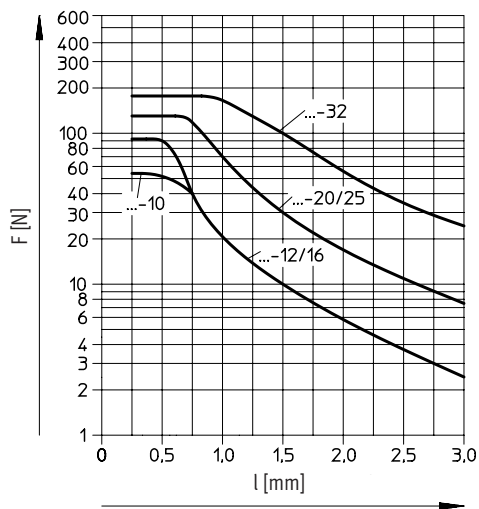
Permissible shock absorber load F as a function of impact velocity v

With horizontal installation

$F \geq m_L \times g$

$g = 9.81 \text{ m/s}^2$

$m_L = \text{Load [kg]}$



Data sheet

Permissible shock absorber load F as a function of impact velocity v

With vertical installation

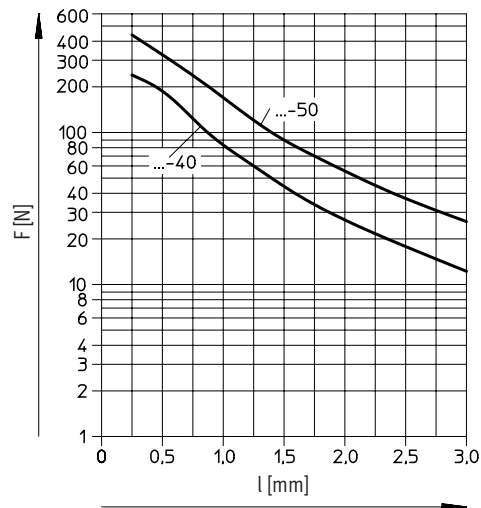
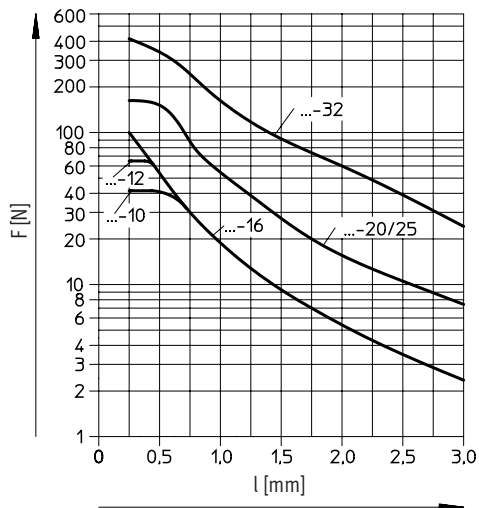
$$F \geq (m_L + m_E) \times g$$

$$g = 9.81 \text{ m/s}^2$$

m_E = Moving mass

(dead weight) [kg]

m_L = Load [kg]

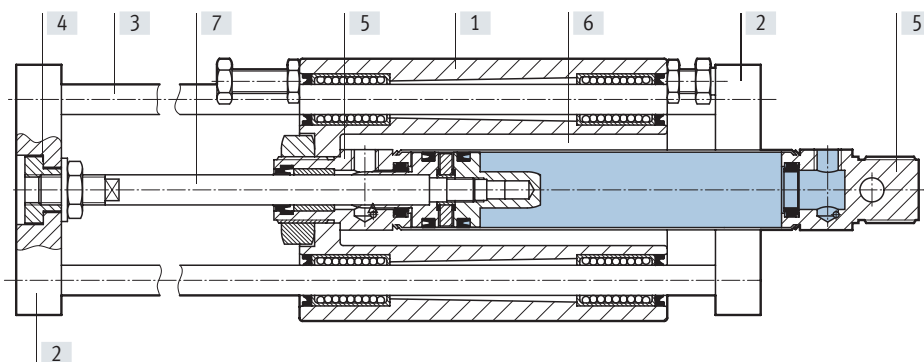


| Weight [g] | | | | | | | |
|------------------------------------|-----|-----|------|------|------|------|------|
| Piston \varnothing | 10 | 16 | 20 | 25 | 32 | 40 | 50 |
| Product weight with 0 mm stroke | 560 | 913 | 1882 | 1942 | 4300 | 6175 | 9200 |
| Additional weight per 10 mm stroke | 10 | 13 | 19 | 23 | 57 | 85 | 125 |
| Moving mass with 0 mm stroke | 160 | 230 | 500 | 500 | 1500 | 2200 | 3600 |
| Additional mass per 10 mm stroke | 8 | 8 | 12 | 12 | 31 | 49 | 77 |

Data sheet

Materials

Sectional view



Linear drive unit

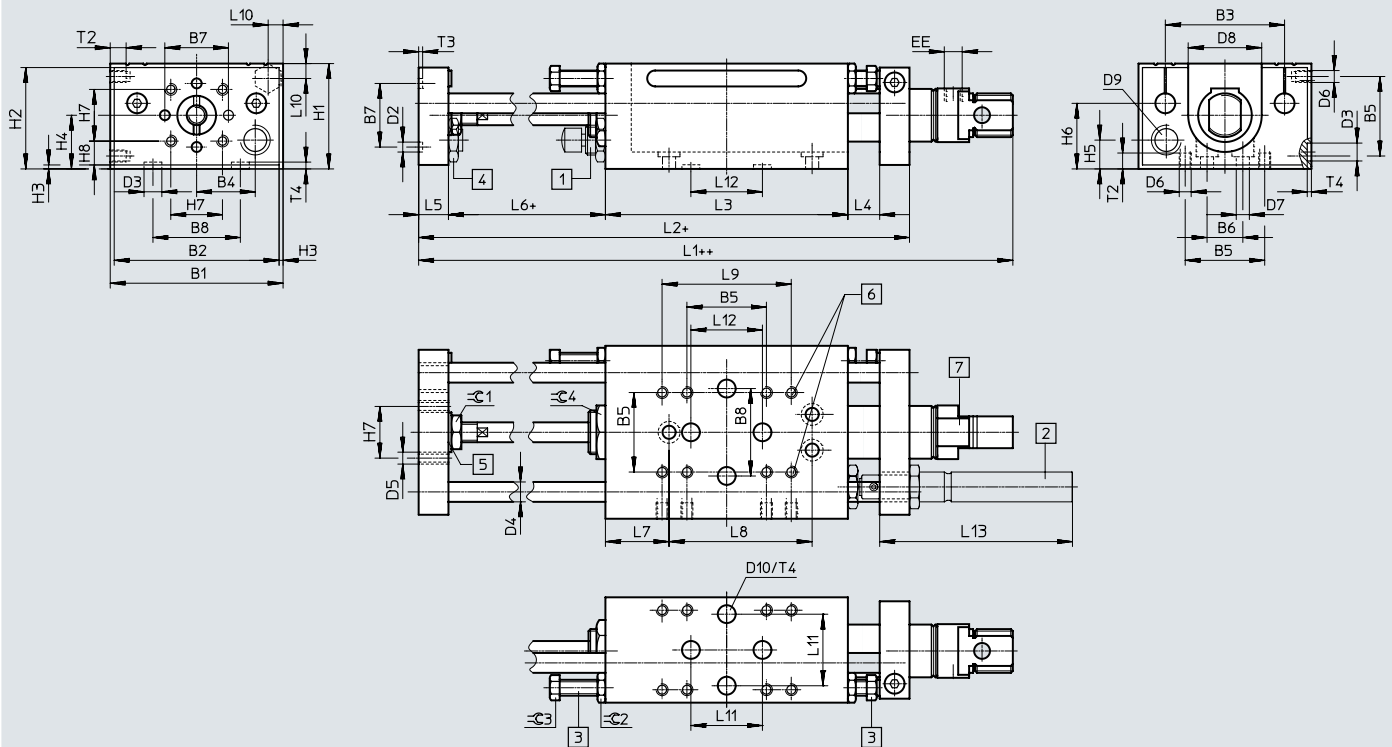
| | | | |
|-----|----------------------|-------------|------------------------------|
| [1] | Housing | Ø 10 ... 25 | Die-cast aluminium |
| | | Ø 32 ... 50 | Wrought aluminium alloy |
| [2] | Yoke/end plate | | Aluminium |
| [3] | Guide rod | | Tempered steel |
| [4] | Coupling | | Steel |
| [5] | Bearing and end caps | Ø 10 ... 25 | Wrought aluminium alloy |
| | | Ø 32 ... 50 | Die-cast aluminium |
| [6] | Cylinder barrel | Ø 10 ... 25 | High-alloy stainless steel |
| | | Ø 32 ... 50 | Wrought aluminium alloy |
| [7] | Piston rod | Ø 10 ... 25 | High-alloy stainless steel |
| | | Ø 32 ... 50 | High-alloy steel |
| - | Seals | | Polyurethane, nitrile rubber |

Data sheet

Dimensions

Download CAD data → www.festo.com

Piston \varnothing 16 ... 25 mm



- [1] Self-adjusting shock absorber, for front and rear mounting
 - [2] Adjustable shock absorber, can only be mounted to the yoke at the rear
 - [3] Switching stop with proximity switch, PNP/NPN, for front and rear mounting
 - [4] Stop for shock absorber
 - [5] Compensating coupling for radial and axial alignment
 - [6] Mounting thread
 - [7] Drive DSNU
- + = plus stroke length
++ = plus 2x stroke length

| \varnothing | B1 | B2 | B3 | B4 | B5 | B6 | B7 | B8 | D2 | D3 | D4 | D5 | D6 | D7 | D8 |
|---------------|----|----|------------|------|----|----|----|------------|---------------------|---------------------|---------------------|----|----|---------------|----|
| [mm] | | | ± 0.03 | | | | | ± 0.03 | \varnothing H7 | \varnothing H7 | \varnothing h6 | | | \varnothing | |
| 16 | 64 | 60 | 44 | 22 | 26 | 14 | 28 | 40 | 5 | 9 | 8 | M6 | M5 | 5.5 | 26 |
| 20 | 87 | 83 | 60 | 29.5 | 40 | 18 | 32 | 40 | 5 | 9 | 10 | M6 | M6 | 6.6 | 37 |
| 25 | 87 | 83 | 60 | 29.5 | 40 | 18 | 32 | 40 | 5 | 9 | 10 | M6 | M6 | 6.6 | 37 |

| \varnothing | D9 | D10 | EE | H1 | H2 | H3 | H4 | H5 | H6 | H7 | H8 | L1 | L2 | L3 | L4 |
|---------------|----------|---------------------|------|----|----|----|----|------|-----------|----|------|-------|-----|-----|----|
| [mm] | | \varnothing H7 | | | | | | | ± 0.1 | | | | | | |
| 16 | M10x0.75 | 5 | M5 | 43 | 39 | 2 | 22 | 10 | 25 | 19 | 10.5 | 116 | 143 | 86 | 12 |
| 20 | M15x1 | 9 | G1/8 | 53 | 49 | 2 | 27 | 14.5 | 33 | 26 | 12 | 145.5 | 197 | 122 | 16 |
| 25 | M15x1 | 9 | G1/8 | 53 | 49 | 2 | 27 | 14.5 | 33 | 26 | 12 | 149 | 197 | 122 | 16 |

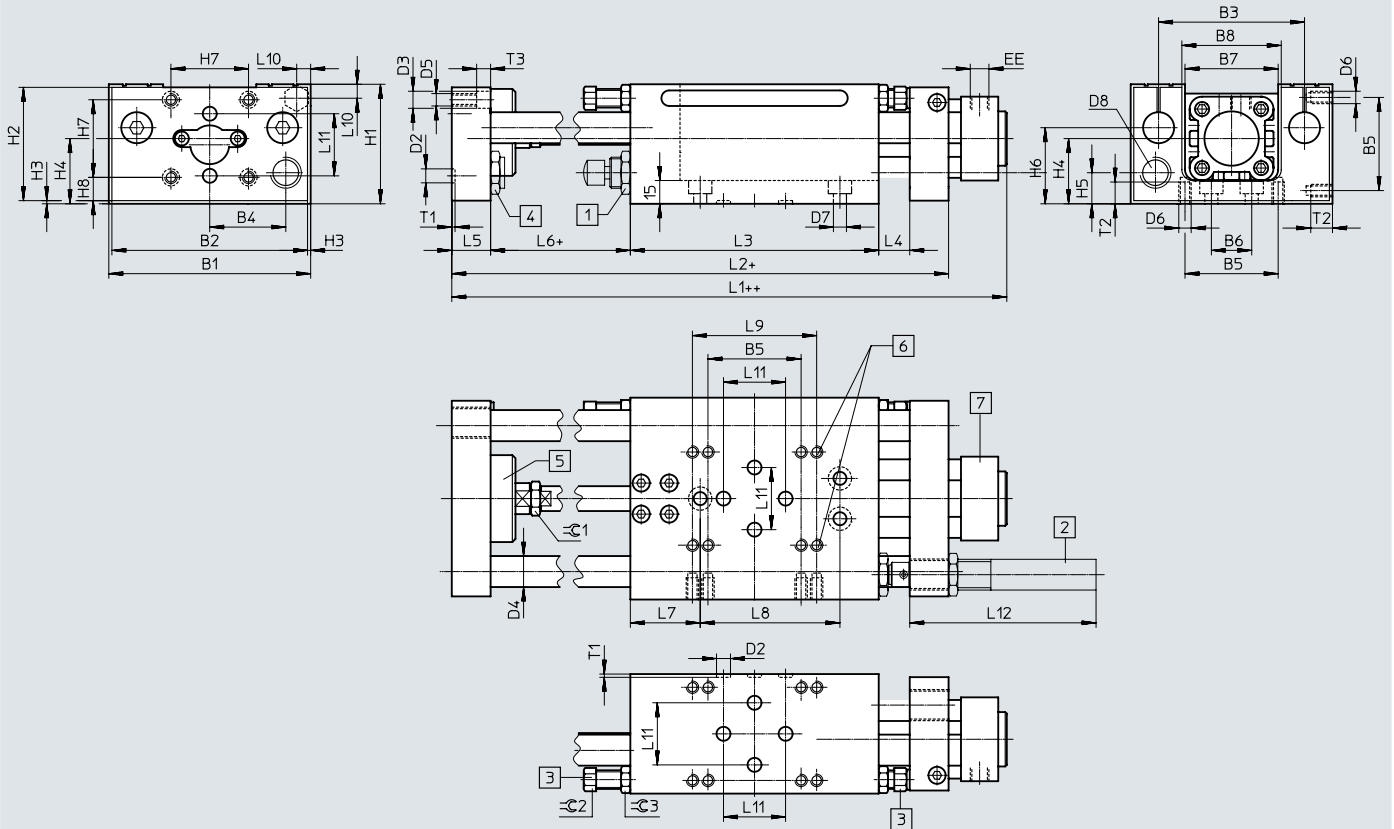
| \varnothing | L5 | L6 | L7 | L8 | L9 | L10 | L11 | L12 | L13 | T2 | T3 | T4 | \varnothing 1 | \varnothing 2 | \varnothing 3 | \varnothing 4 |
|---------------|----|----|----|-----------|----|-----|------------|------------|-----|----|----|---------------------|-----------------|-----------------|-----------------|-----------------|
| [mm] | | | | ± 0.2 | | | ± 0.03 | ± 0.03 | | | | | | | | |
| 16 | 12 | 21 | 21 | 54 | 40 | 6 | - | 32 | - | 7 | 2 | 2 | 10 | 10 | 8 | 19 |
| 20 | 15 | 29 | 32 | 72 | 65 | 7.5 | 40 | 40 | 97 | 8 | 2 | 2.1 ^{+0.2} | 13 | 13 | 11 | 27 |
| 25 | 15 | 29 | 32 | 72 | 65 | 7.5 | 40 | 40 | 97 | 8 | 2 | 2.1 ^{+0.2} | 17 | 13 | 11 | 27 |

Data sheet

Dimensions

Download CAD data → www.festo.com

Piston \varnothing 32 ... 50 mm



- [1] Self-adjusting shock absorber, for front and rear mounting
 - [2] Adjustable shock absorber, can only be mounted to the yoke at the rear
 - [3] Switching stop with proximity switch, PNP/NPN, for front and rear mounting
 - [4] Stop for shock absorber
 - [5] Compensating coupling for radial and axial alignment
 - [6] Mounting thread
 - [7] Drive DNC
- + = plus stroke length
++ = plus 2x stroke length

| \varnothing | B1 | B2 | B3 | B4 | B5 | B6 | B7 | B8 | D2 | D3 | D4 | D5 | D6 | D7 |
|---------------|-----|-----|------------|------|----|----|----|----|---------------------|---------------|---------------------|-----|----|---------------|
| [mm] | | | ± 0.03 | | | | | | \varnothing H7 | \varnothing | \varnothing h6 | | | \varnothing |
| 32 | 115 | 111 | 84 | 41.5 | 50 | 26 | 52 | 55 | 9 | 11 | 16 | M8 | M6 | 8.4 |
| 40 | 130 | 126 | 94 | 49 | 60 | 26 | 60 | 64 | 9 | 11 | 20 | M8 | M8 | 8.4 |
| 50 | 154 | 150 | 113 | 58 | 60 | 30 | 72 | 76 | 9 | 15 | 25 | M10 | M8 | 8.4 |

| \varnothing | D8 | EE | H1 | H2 | H3 | H4 | H5 | H6 | H7 | H8 | L1 | L2 |
|---------------|----------|------|----|----|----|------|----|-----------|----|------|-----|-----|
| [mm] | | | | | | | | ± 0.1 | | | | |
| 32 | M20x1.25 | G1/8 | 70 | 66 | 2 | 40.5 | 17 | 43 | 40 | 18.5 | 172 | 250 |
| 40 | M20x1.25 | G1/4 | 77 | 73 | 2 | 46 | 20 | 49 | 50 | 15 | 196 | 260 |
| 50 | M24x1.25 | G1/4 | 90 | 86 | 2 | 53.5 | 19 | 52 | 60 | 16.5 | 213 | 305 |

| \varnothing | L3 | L4 | L5 | L6 | L7 | L8 | L9 | L10 | L11 | L12 | T1 | T2 | T3 | $\approx \varnothing 1$ | $\approx \varnothing 2$ | $\approx \varnothing 3$ |
|---------------|-----|----|----|----|----|----|----|-----|------------|------|------|----|-----|-------------------------|-------------------------|-------------------------|
| [mm] | | | | | | | | | ± 0.03 | max. | +0.2 | | | | | |
| 32 | 160 | 20 | 20 | 30 | 45 | 90 | 75 | 9 | 40 | 115 | 2.1 | 10 | 7.3 | 17 | 13 | 15 |
| 40 | 160 | 20 | 25 | 30 | 45 | 90 | 80 | 9 | 40 | 115 | 2.1 | 14 | 9 | 19 | 13 | 15 |
| 50 | 192 | 25 | 25 | 38 | 66 | 90 | 80 | 10 | 40 | 138 | 2.1 | 14 | 11 | 24 | 13 | 15 |

Ordering data – Modular product system

| Ordering table | | | | | | | | | | | |
|------------------|--|---|---------------|--|---------------|---------------|---------------|------------|------------|------------|--|
| Size | 10 | 16 | 20 | 25 | 32 | 40 | 50 | Conditions | Code | Enter code | |
| Module no. | 150088 | 150090 | 150091 | 150092 | 150093 | 150094 | 150921 | | | | |
| Function | Linear drive unit | | | | | | | | SLE | SLE | |
| Size [mm] | 10 | 16 | 20 | 25 | 32 | 40 | 50 | | -... | | |
| Stroke [mm] | 10 ... 100 | 10 ... 200 | 10 ... 320 | | 10 ... 500 | | | | -... | | |
| Guide | With linear ball bearings | | | | | | | | -KF | -KF | |
| Position sensing | Via proximity switch | | | | | | | | -A | -A | |
| Basic unit | Linear drive unit with pneumatic drive | | | | | | | | -G | -G | |
| Shock absorber | At front | Self-adjusting shock absorber, with stop at front | | | | | | | | -CV | |
| | At rear | Self-adjusting shock absorber, with stop at rear | | | | | | | | -CH | |
| | | - | - | Adjustable shock absorber, with stop at rear | | | | | -YH | | |
| Sensor (bonded) | At front | Inductive sensor with 2.5 m cable, PNP, with stop sleeve at front | | | | | | | | -PV | |
| | | Inductive sensor with 2.5 m cable, NPN, with stop sleeve at front | | | | | | | | -NV | |
| | At rear | Inductive sensor with 2.5 m cable, PNP, with stop sleeve at rear | | | | | | | | -PH | |
| | | Inductive sensor with 2.5 m cable, NPN, with stop sleeve at rear | | | | | | | | -NH | |

Ordering data – Modular products, package solution

| Ordering table | | | | | | | | | | |
|------------------|------------------------------------|---------------|---------------|---------------|---------------|---------------|---------------|------------|------------|------------|
| Size | 10 | 16 | 20 | 25 | 32 | 40 | 50 | Conditions | Code | Enter code |
| Module no. | 150088 | 150090 | 150091 | 150092 | 150093 | 150094 | 150921 | | | |
| Function | Linear drive unit | | | | | | | | SLE | SLE |
| Size [mm] | 10 | 16 | 20 | 25 | 32 | 40 | 50 | | -... | |
| Stroke [mm] | 10 ... 100 | 10 ... 200 | 10 ... 320 | | 10 ... 500 | | | | -... | |
| Guide | With linear ball bearings | | | | | | | | -KF | -KF |
| Position sensing | Via proximity switch | | | | | | | | -A | -A |
| Standard unit | Package solution S = G-CV-CH-PV-PH | | | | | | | | -S | -S |

Accessories

Shock absorber kit

SLE- ...-YSR-C, self-adjusting

(Order code: CV, CH)

Material:

YSR-8-8-C: Nickel-plated brass

YSR-12-12-C, YSR-16-20-C,

YSR-20-25-C: Galvanised steel

Free of copper and PTFE



| Ordering data | | Part no. | Type |
|---------------|---|----------|-----------------|
| For ø [mm] | Includes shock absorber → www.festo.com | | |
| 10 | YSR-8-8-C | 116246 | SLE-10-YSR-C |
| 16 | YSR-8-8-C | 116247 | SLE-16-YSR-C |
| 20, 25 | YSR-12-12-C | 116248 | SLE-20/25-YSR-C |
| 32 | YSR-16-20-C | 116249 | SLE-32-YSR-C |
| 40 | YSR-16-20-C | 116250 | SLE-40-YSR-C |
| 50 | YSR-20-25-C | 118698 | SLE-50-YSR-C |

Shock absorber kit

SLZ- ...-KF-A, adjustable

(Order code: YV, YH)

Material:

Galvanised steel



| Ordering data | | Part no. | Type |
|---------------|---|----------|-------------|
| For ø [mm] | Includes shock absorber → www.festo.com | | |
| 20, 25 | DYSR-12-12-Y5 | 114032 | SLZ-25-KF-A |
| 32, 40 | DYSR-16-20-Y5 | 114033 | SLZ-32-KF-A |
| 50 | DYSR-20-25-Y5 | 114034 | SLZ-50-KF-A |

Switching stop SL- ...-SIE-PS

(Order code: PV, PH)

Kit with inductive proximity switch PNP

Switching stop SL- ...-SIE-NS



(Order code: NV, NH)

Kit with inductive proximity switch NPN


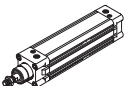


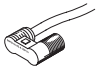
| Ordering data | | Part no. | Type |
|---------------|---|------------------|-----------------|
| For ø [mm] | Switching output Includes proximity switch → www.festo.com | | |
| 10, 16 | PNP | SIEN-4B-PS-K-L | SL-10/16-SIE-PS |
| | NPN | SIEN-4B-NS-K-L | SL-10/16-SIE-NS |
| 20, 25 | PNP | SIEN-4B-PS-K-L | SL-20/25-SIE-PS |
| | NPN | SIEN-4B-NS-K-L | SL-20/25-SIE-NS |
| 32, 40, 50 | PNP | SIEN-6.5B-PS-K-L | SL-32/50-SIE-PS |
| | NPN | SIEN-6.5B-NS-K-L | SL-32/50-SIE-NS |

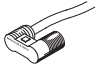
Accessories


| Ordering data – Accessories | | | | | |
|--|---------------|--|----------------|----------------|------------------|
| | For ø [mm] | Material | Part no. | Type | PJ ¹⁾ |
| Centring pin ZBS Data sheets → Internet: zbs | | | | | |
|  | 10 ... 20 | Stainless steel Free of copper and PTFE | 150928 | ZBS-5 | 10 |
| Centring sleeve ZBH Data sheets → Internet: zbh | | | | | |
|  | 25 ... 50 | Stainless steel Free of copper and PTFE | 8137184 | ZBH-9-B | 10 |

1) Packaging unit

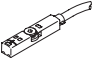
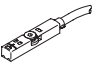
| Ordering data – Standards-based cylinders | | | | Data sheets → Internet: standards-based cylinder | | | |
|---|-------|--------------|--------------------------|---|-------|---------------|-------------------------|
| Designation | For ø | Part no. | Type | Designation | For ø | Part no. | Type |
| Standards-based cylinder DSNU | | | | Standards-based cylinder DNC | | | |
|  | 10 | 14325 | DSNU-10-...-P-A |  | 32 | 163304 | DNC-32-...-PPV-A |
| | 16 | 14320 | DSNU-16-...-PPV-A | | 40 | 163336 | DNC-40-...-PPV-A |
| | 20 | 14321 | DSNU-20-...-PPV-A | | 50 | 163368 | DNC-50-...-PPV-A |
| | 25 | 14322 | DSNU-25-...-PPV-A | | | | |

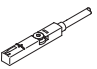
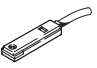
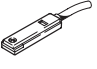
| Ordering data – Proximity switches, round design, magneto-resistive | | | | | | | | Data sheets → Internet: smto | |
|---|------------------|------------------|-----------------------|---------|------------------|--------------------------------|---------------|------------------------------|--|
| | Mounting | Switching output | Electrical connection | | Cable length [m] | Outlet direction of connection | Part no. | Type | |
| | | | Cable | Plug M8 | | | | | |
| N/O | | | | | | | | | |
|  | With accessories | PNP | 3-wire | – | 2.5 | In-line | 152836 | SMT0-4U-PS-K-LED-24 | |
| | | | – | 3-pin | – | In-line | 152742 | SMT0-4U-PS-S-LED-24 | |
| | | NPN | 3-wire | – | 2.5 | In-line | 152837 | SMT0-4U-NS-K-LED-24 | |
| | | | – | 3-pin | – | In-line | 152743 | SMT0-4U-NS-S-LED-24 | |



| Ordering data – Proximity switches, round design, magnetic reed | | | | | | | Data sheets → Internet: smeo | |
|---|------------------|-----------------------|---------|------------------|--------------------------------|---------------|------------------------------|--|
| | Mounting | Electrical connection | | Cable length [m] | Outlet direction of connection | Part no. | Type | |
| | | Cable | Plug M8 | | | | | |
| N/O | | | | | | | | |
|  | With accessories | 3-wire | – | 2.5 | In-line | 36198 | SME0-4U-K-LED-24 | |
| | | | | 5 | In-line | 175401 | SME0-4U-K5-LED-24 | |
| | | – | 3-pin | – | In-line | 151526 | SME0-4U-S-LED-24-B | |

| Ordering data – Mounting kit for proximity switches SME0/SMT0-4U | | | | Data sheets → Internet: smbr | |
|---|-------|--------------|----------------|------------------------------|--|
| Designation | For ø | Part no. | Type | | |
|  | 10 | 19273 | SMBR-10 | | |
| | 16 | 19275 | SMBR-16 | | |
| | 20 | 19276 | SMBR-20 | | |
| | 25 | 19277 | SMBR-25 | | |



Accessories


| Ordering data – Proximity switches for T-slot, magneto-resistive | | | | | | Data sheets → Internet: smt |
|--|--|------------------|-----------------------|------------------|----------|-----------------------------|
| | Type of mounting | Switching output | Electrical connection | Cable length [m] | Part no. | Type |
| N/O | | | | | | |
|  | Inserted in the slot from above, flush with the cylinder profile, short design | PNP | Cable, 3-wire | 2.5 | 574335 | SMT-8M-A-PS-24V-E-2.5-OE |
| | | | Plug M8x1, 3-pin | 0.3 | 574334 | SMT-8M-A-PS-24V-E-0.3-M8D |
| | | | Plug M12x1, 3-pin | 0.3 | 574337 | SMT-8M-A-PS-24V-E-0.3-M12 |
| | | NPN | Cable, 3-wire | 2.5 | 574338 | SMT-8M-A-NS-24V-E-2.5-OE |
| | | | Plug M8x1, 3-pin | 0.3 | 574339 | SMT-8M-A-NS-24V-E-0.3-M8D |
| N/C | | | | | | |
|  | Inserted in the slot from above, flush with the cylinder profile, short design | PNP | Cable, 3-wire | 7.5 | 574340 | SMT-8M-A-PO-24V-E-7.5-OE |

| Ordering data – Proximity switches for T-slot, magnetic reed | | | | | | Data sheets → Internet: sme |
|--|--|------------------|-----------------------|------------------|----------|-----------------------------|
| | Type of mounting | Switching output | Electrical connection | Cable length [m] | Part no. | Type |
| N/O | | | | | | |
|  | Inserted in the slot from above, flush with the cylinder profile | Contacting | Cable, 3-wire | 2.5 | 543862 | SME-8M-DS-24V-K-2.5-OE |
| | | | | 5.0 | 543863 | SME-8M-DS-24V-K-5.0-OE |
| | | | Cable, 2-wire | 2.5 | 543872 | SME-8M-ZS-24V-K-2.5-OE |
| | | | Plug M8x1, 3-pin | 0.3 | 543861 | SME-8M-DS-24V-K-0.3-M8D |
|  | Inserted in the slot lengthwise, flush with the cylinder profile | Contacting | Cable, 3-wire | 2.5 | 150855 | SME-8-K-LED-24 |
| | | | Plug M8x1, 3-pin | 0.3 | 150857 | SME-8-S-LED-24 |
| N/C | | | | | | |
|  | Inserted in the slot lengthwise, flush with the cylinder profile | Contacting | Cable, 3-wire | 7.5 | 160251 | SME-8-O-K-LED-24 |

| Ordering data – Mounting kits for proximity switches SME/SMT-8 | | | | Data sheets → Internet: smb | | | |
|--|-------|----------|-----------|---|-------|----------|------------------|
| Designation | For ø | Part no. | Type | Designation | For ø | Part no. | Type |
|  | 20 | 175095 | SMBR-8-20 |  | 32 | 175705 | SMB-8-FENG-32/40 |
| | 25 | 175096 | SMBR-8-25 | | 40 | | |
| | | | | | 50 | 175706 | SMB-8-FENG-50/63 |

Accessories

| Ordering data – Connecting cables | | | | | Data sheets → Internet: nebu |
|---|-------------------------------|------------------------------|------------------|----------|------------------------------|
| | Electrical connection, left | Electrical connection, right | Cable length [m] | Part no. | Type |
|  | Straight socket, M8x1, 3-pin | Cable, open end, 3-wire | 2.5 | 541333 | NEBU-M8G3-K-2.5-LE3 |
| | | | 5 | 541334 | NEBU-M8G3-K-5-LE3 |
| | Straight socket, M12x1, 5-pin | Cable, open end, 3-wire | 2.5 | 541363 | NEBU-M12G5-K-2.5-LE3 |
| | | | 5 | 541364 | NEBU-M12G5-K-5-LE3 |
|  | Angled socket, M8x1, 3-pin | Cable, open end, 3-wire | 2.5 | 541338 | NEBU-M8W3-K-2.5-LE3 |
| | | | 5 | 541341 | NEBU-M8W3-K-5-LE3 |
| | Angled socket, M12x1, 5-pin | Cable, open end, 3-wire | 2.5 | 541367 | NEBU-M12W5-K-2.5-LE3 |
| | | | 5 | 541370 | NEBU-M12W5-K-5-LE3 |

| Ordering data – One-way flow control valves | | | | | Data sheets → Internet: grla |
|---|-------------------|-----------------|--------------|----------|------------------------------|
| | Connection Thread | For tubing O.D. | Material | Part no. | Type |
|  | M5 | 3 | Metal design | 193137 | GRLA-M5-QS-3-D |
| | | 4 | | 193138 | GRLA-M5-QS-4-D |
| | | 6 | | 193139 | GRLA-M5-QS-6-D |
| | G1/8 | 3 | | 193142 | GRLA-1/8-QS-3-D |
| | | 4 | | 193143 | GRLA-1/8-QS-4-D |
| | | 6 | | 193144 | GRLA-1/8-QS-6-D |
| | | 8 | | 193145 | GRLA-1/8-QS-8-D |
| | G1/4 | 6 | | 193146 | GRLA-1/4-QS-6-D |
| | | 8 | | 193147 | GRLA-1/4-QS-8-D |
| | | 10 | | 193148 | GRLA-1/4-QS-10-D |

Festo - Your Partner in Automation



1 Festo Inc.
5300 Explorer Drive
Mississauga, ON L4W 5G4
Canada

Festo Customer Interaction Center
Tel: 1 877 463 3786
Fax: 1 877 393 3786
Email: customer.service.ca@festo.com



2 Festo Pneumatic
Av. Ceylán 3,
Col. Tequesquináhuac
54020 Tlalnepantla,
Estado de México

Multinational Contact Center
01 800 337 8669
ventas.mexico@festo.com



3 Festo Corporation
1377 Motor Parkway
Suite 310
Islandia, NY 11749

Festo Customer Interaction Center
1 800 993 3786
1 800 963 3786
customer.service.us@festo.com



4 Regional Service Center
7777 Columbia Road
Mason, OH 45040

Connect with us



www.festo.com/socialmedia



www.festo.com

Subject to change