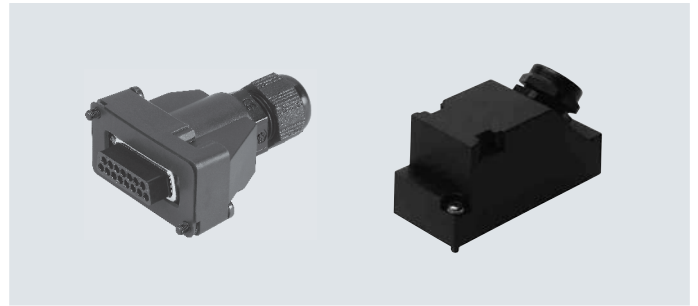


## Data sheet

Plugs  
SD-SUB-...-BU

- Plug socket for multi-pin plug connection
- Can be assembled with any cable lengths
- 9-pin, 15-pin or 25-pin
- Sub-D



## General technical data

|                                  |                  |
|----------------------------------|------------------|
| Type of mounting                 | 2 screws M3x16   |
| Mounting position                | Any              |
| Nominal operating voltage [V DC] | 24               |
| Current rating [A]               | 5                |
| Degree of protection to EN 60529 | IP65 (assembled) |

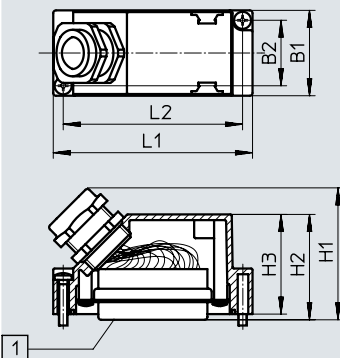
## Materials

|             |   |               |               |
|-------------|---|---------------|---------------|
| Type        | SD-SUB-D-BU9                                    | SD-SUB-D-BU25 | SD-SUB-D-BU15 |
| Housing     | PA  |               |               |
| Pin contact | Nickel-plated and gold-plated copper base alloy |               |               |
| Seals       | NBR   | NBR           | CR            |

## Dimensions

Download CAD data → [www.festo.com](http://www.festo.com)

SD-SUB-D-BU...



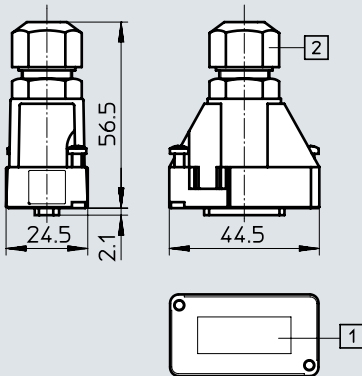
| Type          | [1]                  | B1 | B2 | H1 | H2 | H3 | L1 | L2 |
|---------------|----------------------|----|----|----|----|----|----|----|
| SD-SUB-D-BU9  | Sub-D socket, 9-pin  | 30 | 23 | 43 | 37 | 35 | 50 | 43 |
| SD-SUB-D-BU25 | Sub-D socket, 25-pin | 30 | 23 | 47 | 37 | 35 | 70 | 63 |

## Data sheet

### Dimensions

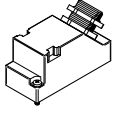
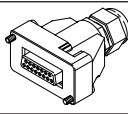
Download CAD data → [www.festo.com](http://www.festo.com)

SD-SUB-D-BU15



- [1] Sub-D socket, 15-pin
- [2] Cable connector PG9

### Ordering data

|  | Electrical connection | Cable connector | Permissible cable<br>∅<br>[mm] | Product weight<br>[g] | Part no.      | Type                 |
|--|-----------------------|-----------------|--------------------------------|-----------------------|---------------|----------------------|
|   | Socket, 9-pin, Sub-D  | Pg9             | 6 ... 9                        | 73                    | <b>18708</b>  | <b>SD-SUB-D-BU9</b>  |
|  | Socket, 25-pin, Sub-D | Pg11            | 7 ... 12                       | 75                    | <b>18709</b>  | <b>SD-SUB-D-BU25</b> |
|  | Socket, 15-pin, Sub-D | Pg9             | 3 ... 8                        | 33                    | <b>177675</b> | <b>SD-SUB-D-BU15</b> |

# Festo - Your Partner in Automation



**1 Festo Inc.**  
5300 Explorer Drive  
Mississauga, ON L4W 5G4  
Canada

**Festo Customer Interaction Center**  
Tel: 1 877 463 3786  
Fax: 1 877 393 3786  
Email: [customer.service.ca@festo.com](mailto:customer.service.ca@festo.com)



**2 Festo Pneumatic**  
Av. Ceylán 3,  
Col. Tequesquináhuac  
54020 Tlalnepantla,  
Estado de México

**Multinational Contact Center**  
01 800 337 8669  
[ventas.mexico@festo.com](mailto:ventas.mexico@festo.com)



**3 Festo Corporation**  
1377 Motor Parkway  
Suite 310  
Islandia, NY 11749

**Festo Customer Interaction Center**  
1 800 993 3786  
1 800 963 3786  
[customer.service.us@festo.com](mailto:customer.service.us@festo.com)



**4 Regional Service Center**  
7777 Columbia Road  
Mason, OH 45040

Connect with us



[www.festo.com/socialmedia](http://www.festo.com/socialmedia)



[www.festo.com](http://www.festo.com)

Subject to change