

# Controller SBRD-Q

**FESTO**



## Key features

### Functional principle

The images taken by the remote camera heads are sent to the electronic evaluation unit. Here, different inspection features are calculated, such as length, height, area, centre of mass, grey or colour value and roundness, depending on the application task.

By scanning various sample parts when setting up the camera, tolerance ranges for good parts are determined for each inspection feature. During operation, the camera computes characteristic values for the part to be inspected. Depending on whether these are within or outside the programmed tolerance range, the part is identified as good or bad. The results from the calculation of the characteristics can also be transmitted to a PLC via Ethernet, PROFINET, Telnet or EtherNet/IP. Up to 256 inspection programs can be stored on the camera.

The characteristics calculated by the camera are not dependent on the angular orientation and position of the inspection part; they are determined relative to the position of the inspection part and so any tilting and/or movement of the inspection part in the field of view is irrelevant for the inspection process. The behaviour of the camera during inspection is determined by what is called the evaluation mode. There are two different modes.

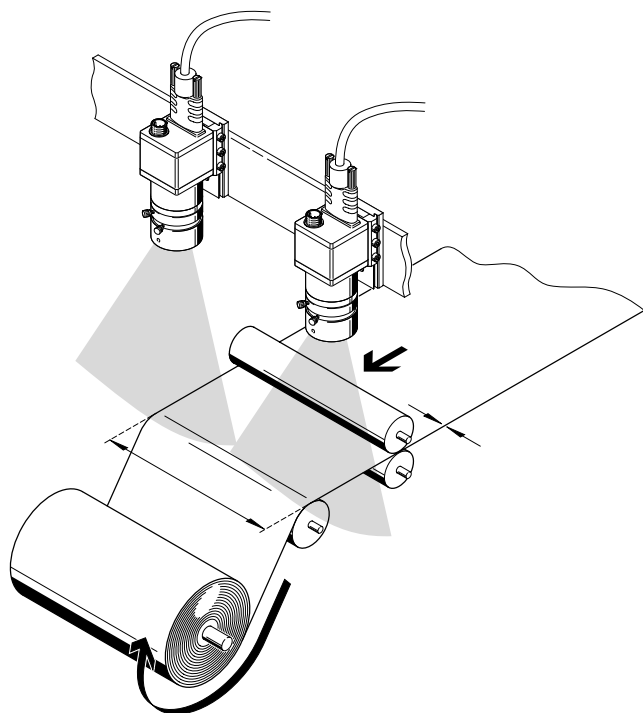
- Triggered: single image recording and inspection with each trigger signal (image evaluation is triggered by an external signal)
- Free run: continuous image recording and inspection (without fixed frame rate) as long as there is a trigger signal.

### Areas of application

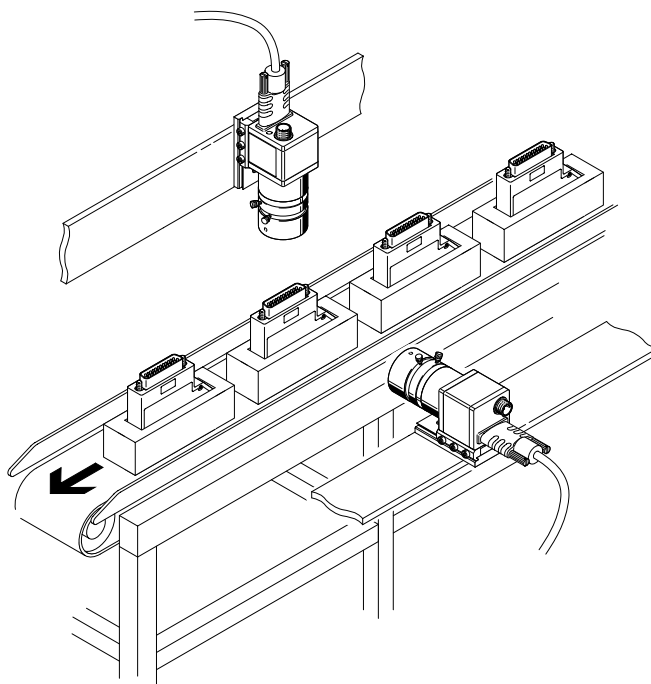
- Detecting the position and rotary orientation of parts
- Pick & place
- Quality inspection
- Measurement
- Reading of barcodes and data matrix codes (1D and 2D codes)
- Reading plain text (OCR)

### Application examples

Roller alignment



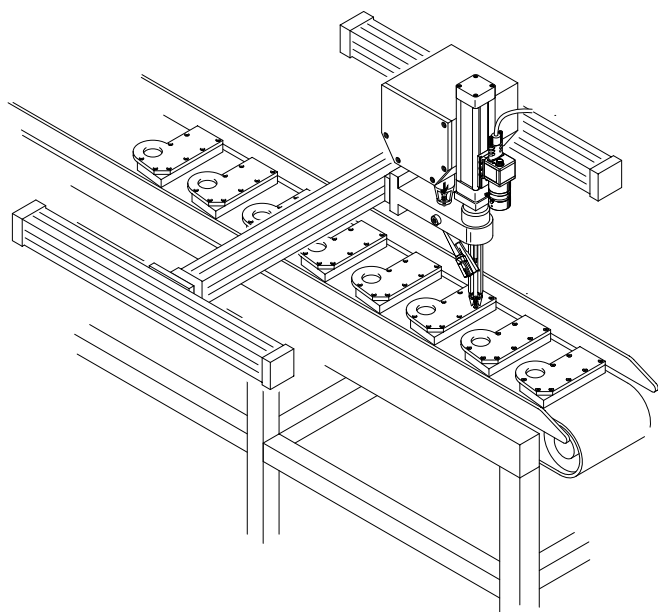
Measuring



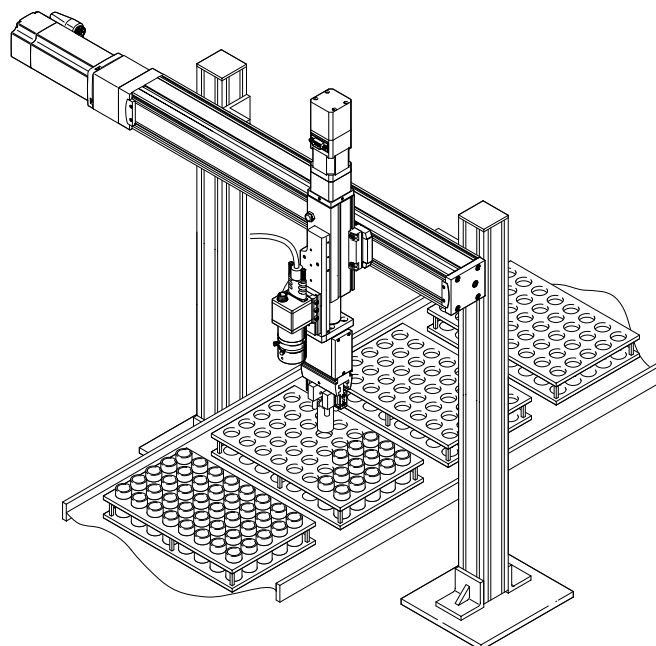
## Key features

### Application examples

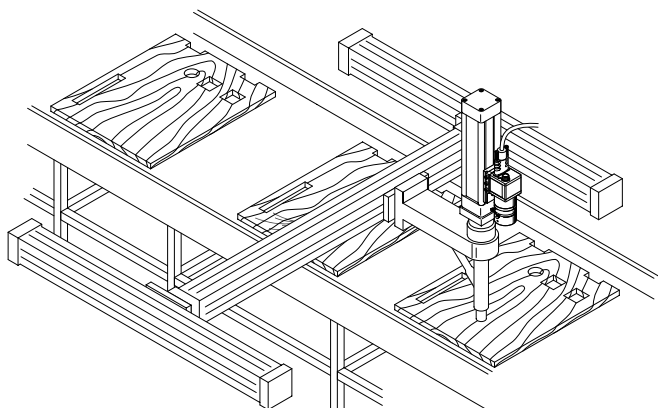
Screws



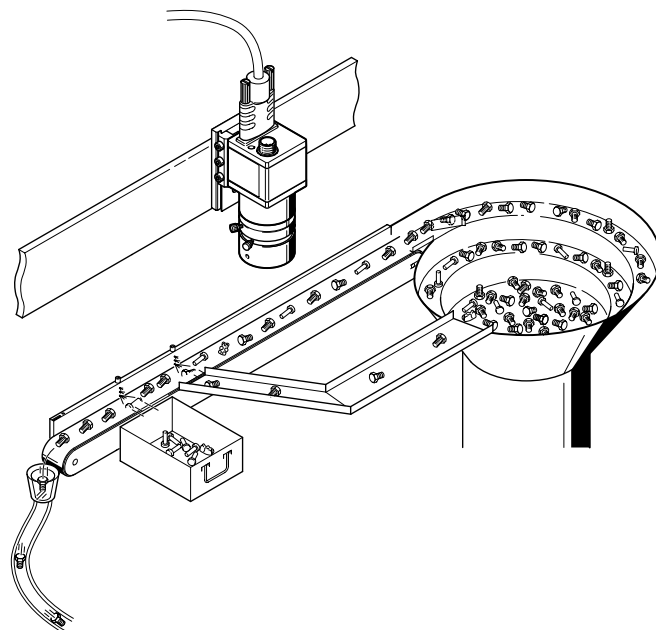
Pick & place



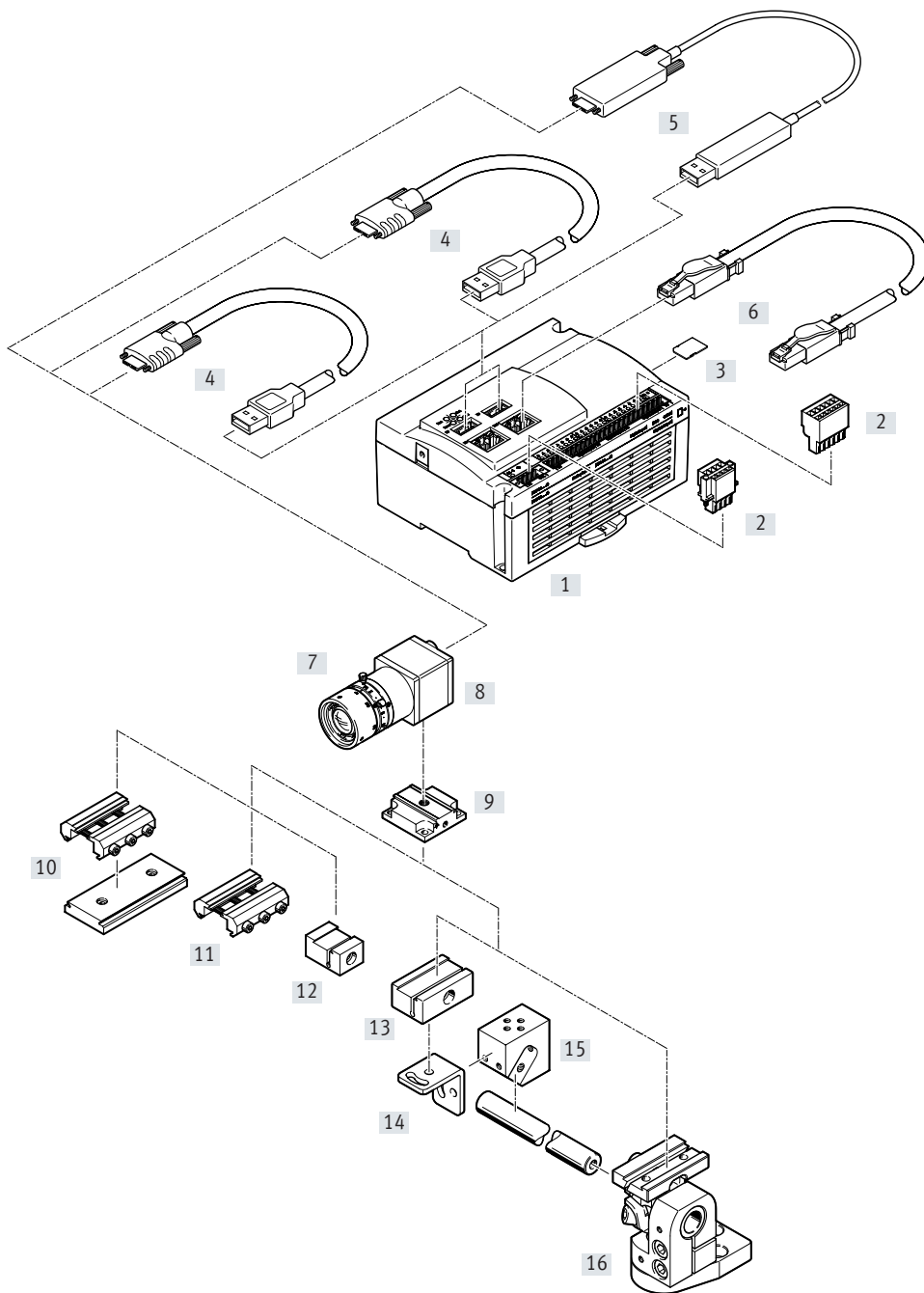
Bonding



Sorting screws



Peripherals overview



Accessories	→ Page	Accessories	→ Page
[1] Controller SBRD-Q	7	[10] Adapter kit SBOA-HMSV-39	13
[2] Plug NECC-L2G...	17	[11] Adapter kit SBOA-HMSV-40	13
[3] Memory card CAMC-M-MS-G32	17	[12] Adapter kit SBOA-HMSV-41	13
[4] Connecting cable NEBC-U7G10-KS-5-N-S-U5G9	17	[13] Mounting SBAM-C6-CP	14
[5] Connecting cable NEBC-U7G10-EH-...-N-S-U5G9	17	[14] Mounting bracket SBAM-C6-A	16
[6] Connecting cable NEBC-R3G4-ES-1-S-R3G4-ET	17	[15] Mounting SBAM-C6-CP-AF	15
[7] Camera head SBPB-R2...	10	[16] Swivel mounting SBAM-C6-...	14
[8] Lens SASF-C-L-...	12		
[9] Mounting SBAM-C11-CP	12		

## Type codes – Controller

001	Series	002	Function
SBRD	Controller	Q	Quality test

## Type codes – Camera head

001	Series	
SBPB	Camera head	

002	Resolution	
R2	1280x1024	
R5	1600x1200	
R9	2456x2054	

003	Image sensor	
B	Monochrome	
C	Colour	

004	Communication interface	
U3	USB 3.0	

005	Digital inputs	
1E	1 input	

006	Digital outputs	
1A	1 output	

007	Lens connection	
C	C mount	

## Data sheet

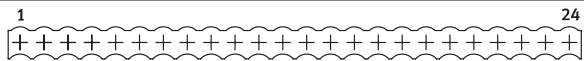
- Temperature range  
-5 ... 50°C



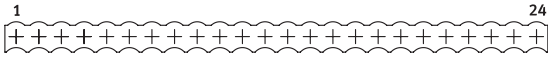

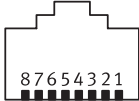
## General technical data

Dimensions W x H x L	[mm]	130 x 106 x 60
Type of mounting		Via through-hole for M4 screw With H-rail
Product weight	[g]	315
CE marking (see declaration of conformity)		To EU EMC Directive
KC mark		KC EMC
Protection against direct and indirect contact		PELV
Nominal operating voltage DC	[V]	24
Permissible voltage fluctuations	[%]	±10
Power consumption 24 V	[W]	20

## Input/output interface

Function		10x digital input 2x digital input with pull-up resistor 8x digital output Ground Power supply
Connection type		Plug
Connection technology	[mm]	Board connector, contact spacing 3.5 mm
Number of pins/wires		24
Plug pattern		
Number of inputs		12
Note on inputs		2 of the 12 inputs with integrated pull-up resistor
Switching level	[V]	Signal 1: ≥ 10 Signal 0: ≤ 1
Note on the switching level	[V]	Signal 0: ≤ 1 Signal 1: ≥ 8 For integrated pull-up resistor
Switching logic at inputs		PNP (positive switching)
Number of outputs		8
Digital outputs, output current	[mA]	450
Max. output current	[mA]	1510
Switching logic at outputs		PNP (positive switching)

## Data sheet

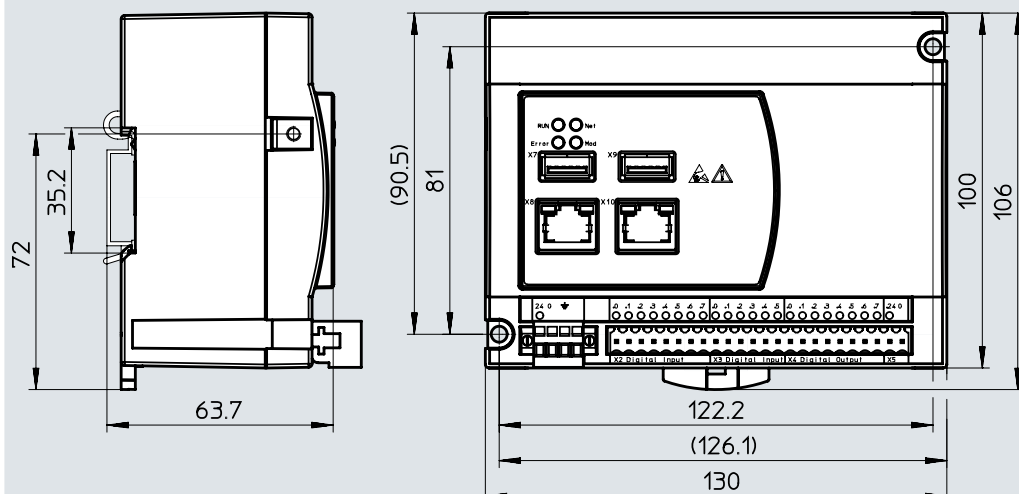
Power supply	
Function	Electronics
Connection type	Plug
Connection technology [mm]	Board connector, contact spacing 3.5 mm
Number of pins/wires	4
Plug pattern	
Camera interface	
Function	Communication with camera only
Connection type	2x socket
Connection technology	USB 3.0 type A
Number of pins/wires	9
Note on the camera interface	Only use the cables explicitly identified by Festo as accessories
Plug pattern	<p>9 8 7 6 5</p>  <p>1 2 3 4</p>
Fieldbus interface	
Function	No function
Card slot	
Storage medium	microSD
Storage capacity	≤ 32 GB
Immission/emission	
Storage temperature [°C]	-20 ... +70
Degree of protection	IP20
Ambient temperature [°C]	-5 ... +50
Relative humidity [%]	95
	Non-condensing
Ethernet interface	
Protocol	TCP/IP
Function	Diagnostics Programming
Connection type	Socket
Connection technology	RJ45
Number of pins/wires	8
Transmission rate [Mbps]	10
	100
	1000
Plug pattern	
Operating and environmental conditions	
Housing material	Reinforced PA
Note on materials	RoHS-compliant



Data sheet

Dimensions

Download CAD data → [www.festo.com](http://www.festo.com)





Type	B1	D1 ∅	H1	H2	H3	H4	H5	H6	L1	L2	L3
SBRD-Q	63.7	4.5	106	100	90.5	81	72	35.2	130	126.1	122.2

Ordering data

Controller	Part no.	Type
	8067301	SBRD-Q

## Accessories – Ordering data

-  Voltage  
5 V
-  Temperature range  
0 ... 40°C



### General technical data

Sensor resolution	-R2	1280 x 1024 pixels (SXGA)
	-R5	1600 x 1200 pixels (UXGA)
	-R9	2456 x 2054 pixels (5MPix)
Sensor type	-B	Monochrome
	-C	Colour
Lens mounting		C mount
Field of view	[mm]	Depends on the lens chosen
Width	[mm]	29
Height	[mm]	29
Length	[mm]	49
Type of mounting		Via through-hole for M3 screw
Product weight	[g]	52
CE marking (see declaration of conformity)		To EU EMC Directive

### USB interface

Function		Power supply
		Communication
Connection type		Socket
Connection technology		USB 3.0 type B micro
Number of pins/wires		10
Nominal operating voltage DC	[V]	5
Permissible voltage fluctuations	[%]	+/- 5
Electrical power consumption	-R2 [W]	1.3 ... 1.5
	-R5 [W]	1.3 ... 1.5
	-R9 [W]	2.3 ... 3

### Input/output interface

Function	No function
----------	-------------

### Immission/emission

Degree of protection		IP30 in assembled status
Storage temperature	[°C]	-20 ... +60
Ambient temperature	[°C]	0 ... +40

### Electronics

Working distance	[mm]	Depends on the lens chosen
Exposure time	-R2	9 µs - 2000 ms
	-R5	20 µs - 10000 ms
	-R9	27 µs - 999 ms

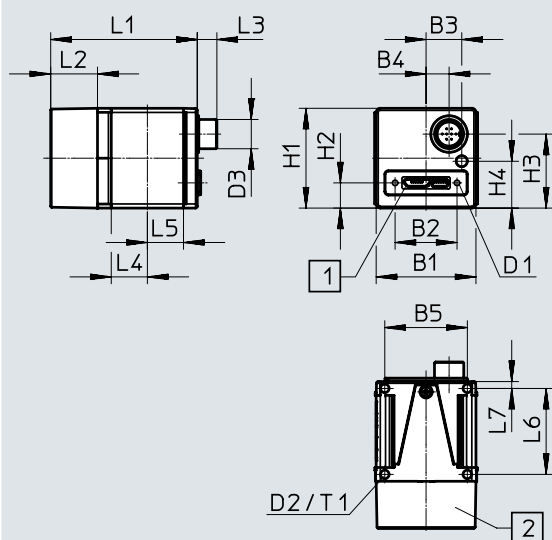
## Accessories – Ordering data

Operating and environmental conditions	
Ambient conditions	Screened from extreme external light sources
	Cleanest possible ambient air
	Dry
Relative humidity [%]	20 ... 80
Housing material	Anodised wrought aluminium alloy
Note on materials	RoHS-compliant

### Dimensions

Download CAD data → [www.festo.com](http://www.festo.com)

SBPB-R...-U3-1E1A-C



- [1] USB 3.0 micro connection
- [2] Protective cap

Type	B1	B2	B3	B4	B5	D1	D2	D3 ∅	H1	H2
SBPB-R ... -U3-1E1A-C	29	18	10.4	6.7	24	M2x4	M3	8.5	29	7.3

Type	H3	H4	L1	L2	L3	L4	L5	L6	L7	T1
SBPB-R ... -U3-1E1A-C	21.5	13.6	42.6	13.6	5.7	10.5	10.5	25	2	3.5


### Ordering data – Camera head

	Sensor resolution	Exposure time	Frame rate (full image)	Part no.	Type
			[fps]		
	1280 x 1024 pixels (SXGA)	9 µs - 2000 ms	60	8066466	SBPB-R2B-U3-1E1A-C
			60	8066467	SBPB-R2C-U3-1E1A-C
	1600 x 1200 pixels (UXGA)	20 µs - 10000 ms	60	8066468	SBPB-R5B-U3-1E1A-C
			60	8066469	SBPB-R5C-U3-1E1A-C
	2456 x 2054 pixels (5MPix)	27 µs - 999 ms	36	8066470	SBPB-R9B-U3-1E1A-C
			36	8066471	SBPB-R9C-U3-1E1A-C

Accessories – Ordering data

Ordering data – Lenses

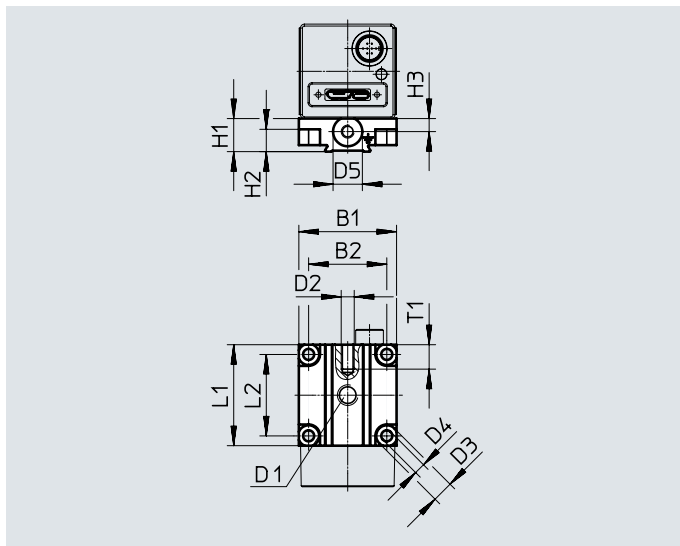
Data sheets → Internet: sasf-c

	Format [inch]	Working distance [mm]	Focal length [mm]	Part no.	Type
	1/2	≥250	12	572911	SASF-C-L-F12
	2/3	≥350	35	572914	SASF-C-L-F35

Mounting SBAM-C11-CP

Type of mounting: Clamped with thread  
Material: Anodised wrought aluminium alloy

Note on materials:  
RoHS-compliant



Type	B1	B2	D1	D2	D3 ∅	D4 ∅	D5 ∅	H1 -0.2	H2	H3	L1	L2	T1
SBAM-C11-CP	30	24	1/4-20 UNC	M4	6.5	3.4	9	10.2	6.9	4	31	25	7.5

Ordering data

Mounting	Weight [g]	Part no.	Type
	19	8066474	SBAM-C11-CP

## Accessories – Ordering data

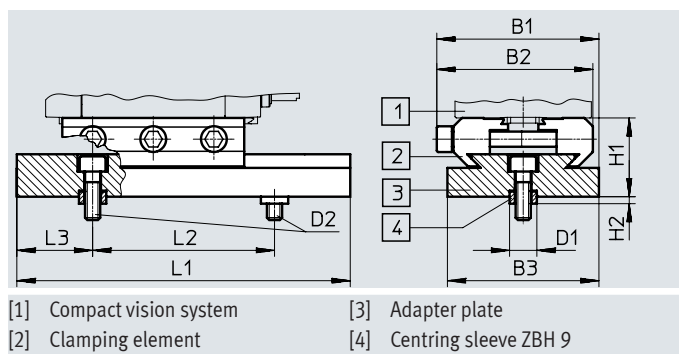
### Adapter kit

#### SBOA-HMSV-39

With screw-on adapter plate

Material:

Anodised wrought aluminium alloy



#### Ordering data

	Part no.	Type
Adapter kit	541599	SBOA-HMSV-39

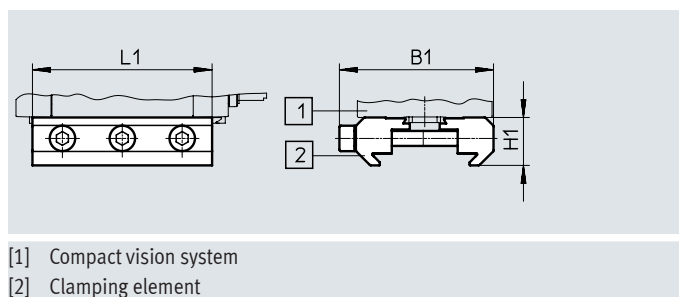
### Adapter kit

#### SBOA-HMSV-40

Without screw-on adapter plate

Material:

Anodised wrought aluminium alloy



#### Ordering data

	Part no.	Type
Adapter kit	541600	SBOA-HMSV-40

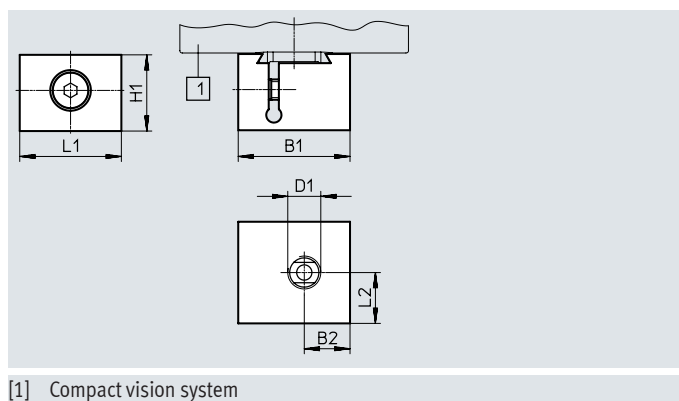
### Adapter kit

#### SBOA-HMSV-41

With female thread G1/4 for mounting on commercially available tripods

Material:

Anodised wrought aluminium alloy



#### Ordering data

	Part no.	Type
Adapter kit	542140	SBOA-HMSV-41

## Accessories – Ordering data

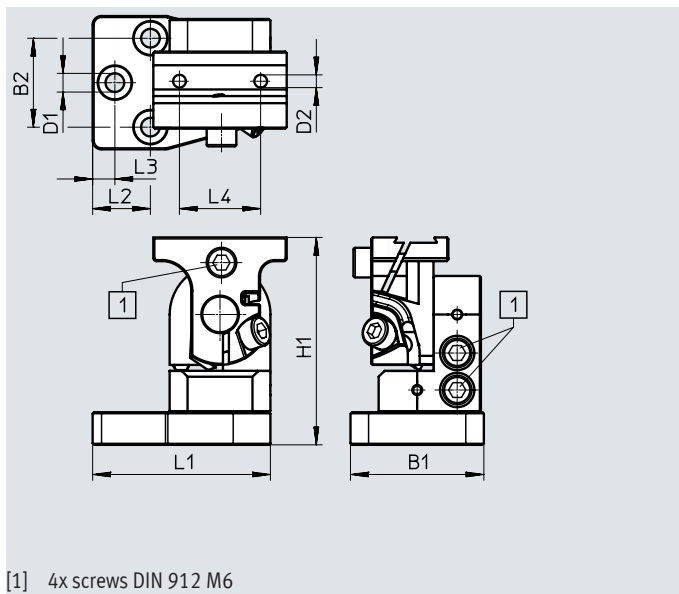
### Swivel mounting

#### SBAM-C6-...

Type of mounting: With dovetail slot, with through-hole

Information on materials: Anodised wrought aluminium alloy

Note on materials: RoHS-compliant



[1] 4x screws DIN 912 M6

#### Dimensions [mm] and ordering data

B1	B2	D1 ∅	D2 ∅	H1	L1	L2	L3	L4	Weight [g]	Part no.	Type
45	30	6.3	4.3	70	65.5	19.5	7.5	27.4	209	8058739	SBAM-C6-A2-AF
									28	8058740	SBAM-C6-CP-AF

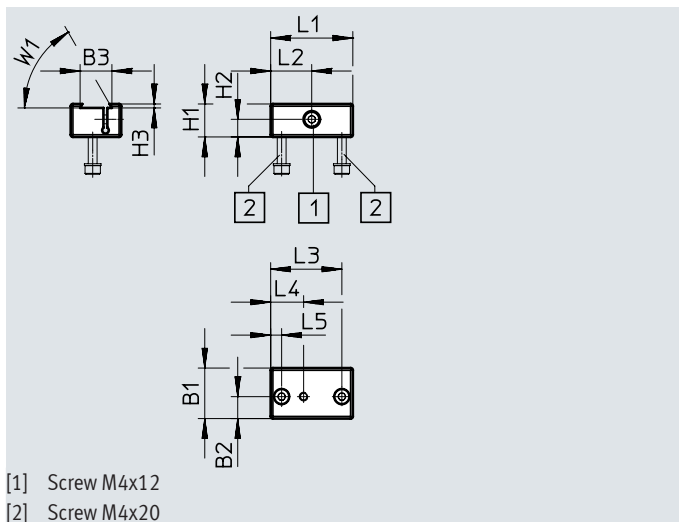
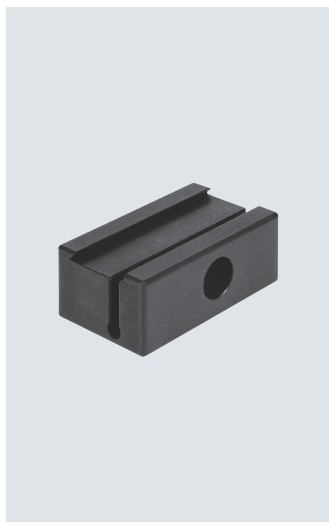
### Mounting

#### SBAM-C6-CP

Type of mounting: With dovetail slot, with thread

Information on materials: Anodised aluminium

Note on materials: RoHS-compliant



[1] Screw M4x12

[2] Screw M4x20

#### Dimensions [mm] and ordering data

B1	B2	B3	H1	H2	H3	L1	L2	L3	L4	L5	W1	Weight [g]	CRC <sup>1)</sup>	Part no.	Type
23	10	14.5	15	8	1.8	37.4	18.7	32.4	15	5	60°	28	2	8031376	SBAM-C6-CP

1) Corrosion resistance class CRC 2 to Festo standard FN 940070

Moderate corrosion stress. Indoor applications in which condensation can occur. External visible parts with primarily decorative surface requirements which are in direct contact with a normal industrial environment.

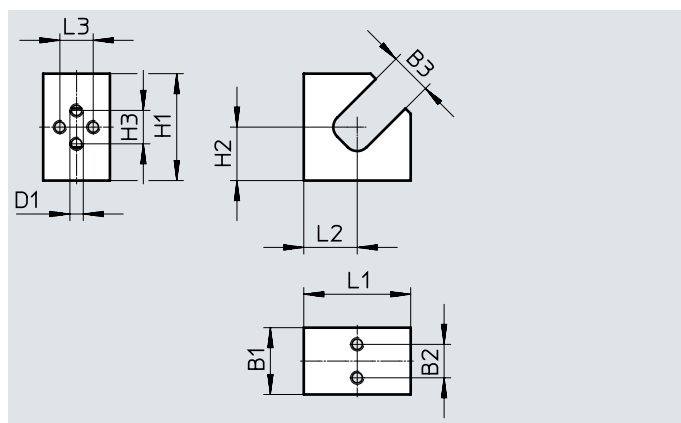
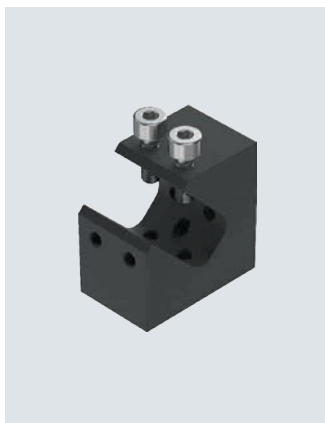
## Accessories – Ordering data

**Mounting****SBAM-C6-CP-AF**

Type of mounting: With thread,  
clamped

Information on materials: Anodised  
wrought aluminium alloy

Note on materials: RoHS-compliant

**Dimensions [mm] and ordering data**

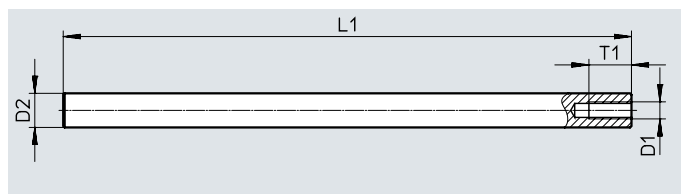
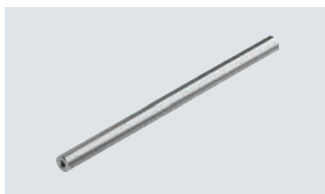
B1	B2	B3	D1	H1	H2	H3	L1	L2	L3	Weight [g]	Part no.	Type
20	10	12.5	M4	32	16	10	32	16	10	28	8058740	SBAM-C6-CP-AF

**Mounting**

Type of mounting: With thread,  
clamped

Information on materials: High-alloy  
steel

Note on materials: RoHS-compliant

**Dimensions [mm] and ordering data**

D1	D2 ∅	L1	T1	Corrosion resistance class [CRC <sup>1)</sup> ]	Weight [g]	Part no.	Type
M6	12	200	15	2	178	8058741	SBAM-C6-MR-200
		300			265	8058742	SBAM-C6-MR-300

1) Corrosion resistance class CRC 2 to Festo standard FN 940070

Moderate corrosion stress. Indoor applications in which condensation can occur. External visible parts with primarily decorative surface requirements which are in direct contact with a normal industrial environment.

## Accessories – Ordering data

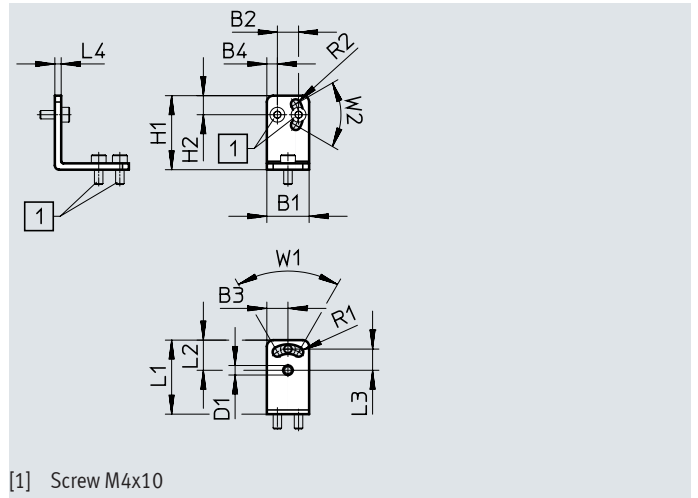
### Mounting bracket

#### SBAM-C6-A

Type of mounting: With through-hole

Information on materials: High-alloy steel

Note on materials: RoHS-compliant



[1] Screw M4x10

#### Dimensions [mm] and ordering data

B1	B2	B3	B4	D1 ∅	H1	H2	L1	L2	L3
20	10	10	5	4.5	35	9	35	14.3	10

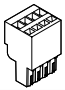
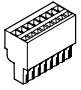
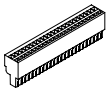
L4	R1	R2	W1	W2	Weight [g]	CRC <sup>1)</sup>	Part no.	Type
3	2.3	2.3	60°	60°	27	2	<b>8031377</b>	<b>SBAM-C6-A</b>

1) Corrosion resistance class CRC 2 to Festo standard FN 940070

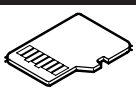
Moderate corrosion stress. Indoor applications in which condensation can occur. External visible parts with primarily decorative surface requirements which are in direct contact with a normal industrial environment.

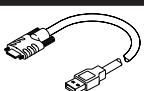
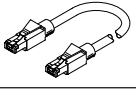
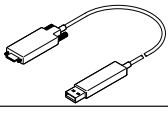
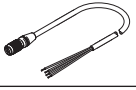
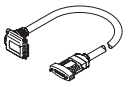


## Accessories – Ordering data

Ordering data – Plugs				
	Description	PU <sup>(1)</sup>	Part no.	Type
	Plugs for self-assembly	1	575303	NECC-L2G4-C1-M
	Plugs for self-assembly, 2-pin	1	575302	NECC-L2G2-C1
	Plugs for self-assembly, 4-pin	1	8024782	NECC-L2G4-C1
	Plugs for self-assembly, 5-pin	1	575304	NECC-L2G5-C1
	Plugs for self-assembly, 6-pin	1	575305	NECC-L2G6-C1
	Plugs for self-assembly, 8-pin	1	575306	NECC-L2G8-C1
	Plugs for self-assembly, 24-pin	1	575307	NECC-L2G24-C1

1) Packaging unit

Ordering data – Memory card					
	Storage capacity [GB]	Speed class	Max. read speed [MB/s]	Part no.	Type
	32	Class 10	20	8094425	CAMC-M-MS-G32-G2

Ordering data – Connecting cable						
	Electrical connection 1	Electrical connection 2	Cable length [m]	Weight [g]	Part no.	Type
	Straight plug USB 3.0 type B micro	Straight plug USB 3.0 type A	5	282	8072582	NEBC-U7G10-KS-5-N-S-U5G9
	Straight plug, RJ45	Straight plug, RJ45	1	87	8040455	NEBC-R3G4-ES-1-S-R3G4-ET
	Straight plug USB 3.0 type B micro	Straight plug USB 3.0 type A	15	444	8093271	NEBC-U7G10-EH-15-N-S-U5G9
	Straight plug USB 3.0 type B micro	Straight plug USB 3.0 type A	30	530	8093272	NEBC-U7G10-EH-30-N-S-U5G9
	Straight socket	Open end	5	160	8132476	NEBC-H25G8-ES-5-N-B-LE4
	Angled socket	Straight socket USB 3.0 type B micro	0.45	35	8093270	NEBC-U7W10-KS-0.5-N-SB-U7G10

# Festo - Your Partner in Automation



**1 Festo Inc.**  
5300 Explorer Drive  
Mississauga, ON L4W 5G4  
Canada

**Festo Customer Interaction Center**  
Tel: 1 877 463 3786  
Fax: 1 877 393 3786  
Email: [customer.service.ca@festo.com](mailto:customer.service.ca@festo.com)



**2 Festo Pneumatic**  
Av. Ceylán 3,  
Col. Tequesquináhuac  
54020 Tlalneptla,  
Estado de México

**Multinational Contact Center**  
01 800 337 8669  
[ventas.mexico@festo.com](mailto:ventas.mexico@festo.com)



**3 Festo Corporation**  
1377 Motor Parkway  
Suite 310  
Islandia, NY 11749

**Festo Customer Interaction Center**  
1 800 993 3786  
1 800 963 3786  
[customer.service.us@festo.com](mailto:customer.service.us@festo.com)



**4 Regional Service Center**  
7777 Columbia Road  
Mason, OH 45040

Connect with us



[www.festo.com/socialmedia](http://www.festo.com/socialmedia)



[www.festo.com](http://www.festo.com)

Subject to change