

Push-in fittings QB, NPT

**FESTO**



## Technical data

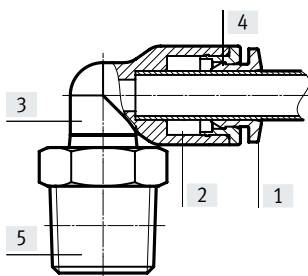
General technical data					
Connecting thread	UNF10-32	NPT1/8-27	NPT1/4-18	NPT3/8-18	NPT1/2-14
Size	Standard				
Design	Push-pull principle				
Mounting position	Any				
Type of seal on the screwed plug	Sealing ring	Coating			
Max. tightening torque [ft-lbf]	1.106	5.163	8.851	16.226	20.652

Operating and environmental conditions		
Operating pressure for entire temperature range	[MPa]	0.095 ... 1
	[bar]	0.95 ... 10
	[psi]	13.775 ... 145
Operating medium	Compressed air to ISO 8573-1:2010 [7:-:-]	
Note on the operating/pilot medium	Lubricated operation possible	
Ambient temperature	[°C]	0 ... 60
	[°F]	32 ... 140
Corrosion resistance class	CRC <sup>1)</sup>	1 - Low corrosion stress

1) More information [www.festo.com/x/topic/crc](http://www.festo.com/x/topic/crc)

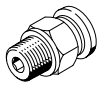
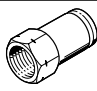
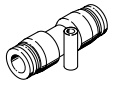
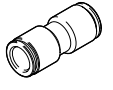

## Materials

Sectional view

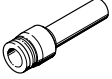
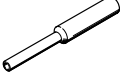
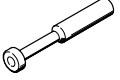


Push-in fitting QB/QBF/QBL/QBL/QLBF/QLV/QBT/QBTL/QBY			
[1]	Releasing ring	POM (colour: grey)	
[2]	Tubing seal	NBR	
[3]	Housing	QB/QBF	Nickel-plated brass
		QBL/QBL/QLBF/QLV/QBT/QBTL/QBY	PBT
[4]	Tube clamping segment	High-alloy stainless steel	
[5]	Screwed plug	QBL/QBL/QLBF/QBT/QBTL/QBY	Nickel-plated brass
	Hollow bolt	QLV	Nickel-plated brass
	Thread seal (NPT thread only)		PTFE
Note on materials		RoHS-compliant	
LABS (PWIS) conformity		VDMA24364 zone III	
Push-in connector QB/QBS/QBL/QBT/QBX/QBY, multiple distributor QBT3			
[1]	Releasing ring	POM (colour: grey)	
[2]	Tubing seal	NBR	
[3]	Housing	QBS	Nickel-plated brass
		QB/QBL/QBT/QBT3/QBX/QBY	PBT
[4]	Tube clamping segment	High-alloy stainless steel	
-	Nut	QBS	Nickel-plated brass
Note on materials		RoHS-compliant	
LABS (PWIS) conformity		VDMA24364 zone III	
Push-in sleeve QBH, blanking plug QBC			
[3]	Housing	PBT	
Note on materials		RoHS-compliant	
LABS (PWIS) conformity		VDMA24364 zone III	






## Product range overview

Design	Version	Type	Connection D1				Connection D2		→ Page
			UNF thread	NPT thread	Tubing O.D.	Push-in sleeve ø	Tubing O.D.	Push-in sleeve ø	
Straight shape	<b>Push-in fitting – Male thread with external hex</b>								
		QB	10-32	–	–	–	5/32, 3/16, 1/4	–	8
			–	1/8	–	–	5/32, 3/16, 1/4, 5/16, 3/8		
			–	1/4			5/32, 3/16, 1/4, 5/16, 3/8, 1/2		
			–	3/8			1/4, 5/16, 3/8, 1/2		
			–	1/2			5/16, 3/8, 1/2		
	<b>Push-in fitting – Female thread with external hex</b>								
		QBF	–	1/8	–	–	5/32, 3/16, 1/4, 5/16, 3/8	–	10
			–	1/4	–	–	5/32, 3/16, 1/4, 5/16, 3/8, 1/2		
			–	3/8			1/4, 5/16, 3/8, 1/2		
			–	1/2			5/16, 3/8		
	<b>Push-in connector</b>								
		QB-...-T	–	–	5/32	–	–	–	11
			–	–	3/16				
			–	–	1/4				
–			–	5/16					
–			–	3/8					
	QB-...-T Reducing	–	–	3/16	–	–	–	11	
		–	–	1/4					
		–	–	5/16					
		–	–	3/8					
		–	–	1/2					
<b>Push-in bulkhead connector</b>									
	QBS-...T	–	–	5/32	–	–	–	12	
		–	–	3/16					
		–	–	1/4					
		–	–	5/16					
		–	–	3/8					
–	–	1/2							

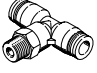

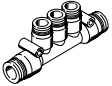
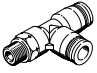
Product range overview

Design	Version	Type	Connection D1				Connection D2		→ Page
			UNF thread	NPT thread	Tubing O.D.	Push-in sleeve ø	Tubing O.D.	Push-in sleeve ø	
Straight shape	<b>Push-in connector with push-in sleeve</b>								
		QB-...H	-	-	-	1/8	1/4	-	13
						5/32	1/8, 1/4		
						1/4	1/8, 5/32		
						5/16	5/32, 1/4		
						3/8	1/4, 5/16		
						1/2	3/8		
	<b>Push-in sleeve</b>								
		QBH Reducing	-	-	-	3/16	-	5/32	13
						1/4		5/32, 3/16	
						5/16		1/4	
						3/8		1/4, 5/16	
						1/2		3/8	
	<b>Blanking plug</b>								
		QBC-...H	-	-	-	5/32	-	-	14
						3/16			
						1/4			
						5/16			
3/8									
					1/2				


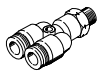
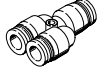
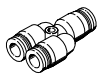
Product range overview

Design	Version	Type	Connection D1				Connection D2		→ Page
			UNF thread	NPT thread	Tubing O.D.	Push-in sleeve ø	Tubing O.D.	Push-in sleeve ø	
L-shape	<b>Push-in L-fitting – Male thread with external hex</b>								
		QBL	10-32	–	–	–	5/32, 3/16, 1/4	–	15
			–	1/8			5/32, 3/16, 1/4, 5/16, 3/8		
			–	1/4			5/32, 3/16, 1/4, 5/16, 3/8, 1/2		
			–	3/8			3/16, 1/4, 5/16, 3/8, 1/2		
			–	1/2			3/8, 1/2		
<b>Push-in L-fitting, long – Male thread with external hex</b>									
	QBL	–	1/8	–	–	5/32, 3/16, 1/4, 5/16	–	16	
		–	1/4			5/32, 3/16, 1/4, 5/16, 3/8, 1/2			
		–	3/8			3/16, 1/4, 5/16, 3/8, 1/2			
		–	1/2			3/8, 1/2			
<b>Push-in L-fitting – Female thread with external hex</b>									
	QBLF	10-32	–	–	–	5/32, 1/4	–	17	
		–	1/8			5/32, 3/16, 1/4, 5/16			
		–	1/4			5/32, 3/16, 1/4, 5/16, 3/8			
		–	3/8			1/4, 5/16, 3/8, 1/2			
		–	1/2			3/8, 1/2			
<b>Push-in L-fitting – Male thread with external hex</b>									
	QBLV	10-32	–	–	–	1/8, 5/32, 3/16, 1/4	–	18	
		–	1/8			5/32, 3/16, 1/4, 5/16			
		–	1/4			5/32, 3/16, 1/4, 5/16, 3/8			
		–	3/8			3/16, 1/4, 5/16, 3/8, 1/2			
		–	1/2			5/16, 3/8, 1/2			
<b>Push-in L-connector</b>									
	QBL...T	–	–	–	5/32	–	–	19	
		–	–		3/16				
		–	–		1/4				
		–	–		5/16				
		–	–		3/8				
–	–	1/2							

Product range overview

Design	Version	Type	Connection D1				Connection D2		→ Page
			UNF thread	NPT thread	Tubing O.D.	Push-in sleeve ø	Tubing O.D.	Push-in sleeve ø	
T-shape	<b>Push-in T-fitting – Male thread with external hex</b>								
		QBT	10-32	–	–	–	5/32, 3/16, 1/4	–	20
			–	1/8			5/32, 3/16, 1/4, 5/16, 3/8		
			–	1/4			5/32, 3/16, 1/4, 5/16, 3/8, 1/2		
			–	3/8			3/16, 1/4, 5/16, 3/8, 1/2		
–			1/2	3/8, 1/2					
<b>Push-in T-connector</b>									
	QBT-...T	–	–	–	5/32	–	–	21	
					3/16				
					1/4				
					5/16				
					3/8				
	1/2								
	QBT-...T Reducing	–	–	–	1/4	–	5/32	–	
					5/16		1/4		
					3/8		1/4, 5/16		
					1/2		3/8		
–					–				
<b>Multiple distributor – 3 outlets</b>									
	QBT3-...T Reducing	–	–	–	3/16, 1/4, 5/16	–	5/32	22	
					5/16		3/16		
					5/16, 3/8		1/4		
					3/8		5/16		
<b>Push-in T-fitting – Male thread with external hex</b>									
	QBTL	10-32	–	–	–	5/32, 3/16, 1/4	–	23	
			1/8			5/32, 3/16, 1/4, 5/16, 3/8			
			1/4			5/32, 3/16, 1/4, 5/16, 3/8, 1/2			
			3/8			3/16, 1/4, 5/16, 3/8, 1/2			
			1/2			3/8, 1/2			

Product range overview

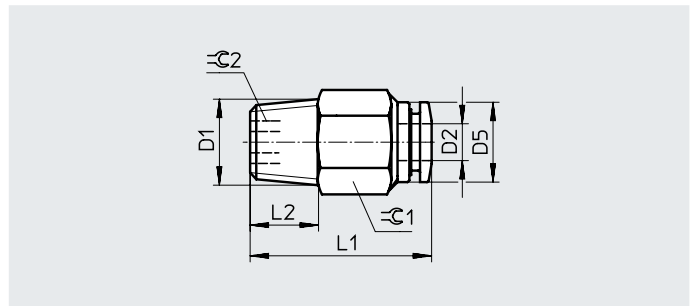
Design	Version	Type	Connection D1				Connection D2		→ Page				
			UNF thread	NPT thread	Tubing O.D.	Push-in sleeve ø	Tubing O.D.	Push-in sleeve ø					
X-shape	<b>Push-in X-connector</b>		-	-	5/32	-	5/32	-	24				
		QBX-...T			3/16								
					1/4								
					5/16								
					3/8								
					1/2								
Y-shape	<b>Push-in Y-fitting – Male thread with external hex</b>		10-32	-	-	-	5/32, 3/16, 1/4	-	25				
		QBY	-	1/8			5/32, 3/16.1/4, 5/16, 3/8						
			1/4	5/32, 3/16.1/4, 5/16, 3/8, 1/2									
			3/8	3/16, 1/4, 5/16, 3/8, 1/2									
			1/2	5/16, 3/8, 1/2									
			<b>Push-in Y-connector</b>				-			-	5/32	-	-
		QBY-...T	3/16										
			1/4										
			5/16										
			3/8										
1/2													
	QBY-...T Reducing	3/16	5/32	-	-	-	-						
		1/4	5/32, 3/16										
		5/16	5/32, 1/4										
		3/8	1/4, 5/16										
		1/2	5/16, 3/8										

## Datasheet

### Push-in fitting QB

Male thread  
with external hex

Design:  
Straight shape



#### Dimensions and ordering data

Pneumatic connection		Nominal size [inch]	Dimensions [inch]					Weight/ piece [oz]	Part no.	Type	PU <sup>1)</sup>
Male thread	For tubing O.D.		D5 ∅	L1	L2	$\varnothing 1$	$\varnothing 2$				
D1	D2										
<b>UNF thread</b>											
UNF10-32	5/32	0.098	0.413	0.882	0.161	7/16	3/32	0.205	533267	QB-10-32-UNF-5/32-U	10
	3/16	0.098	0.433	0.890	0.161	7/16	3/32	0.275	533268	QB-10-32-UNF-3/16-U	10
	1/4	0.098	0.500	0.945	0.161	1/2	3/32	0.310	533269	QB-10-32-UNF-1/4-U	10
<b>NPT thread</b>											
NPT1/8-27	5/32	0.126	0.413	0.764	0.335	7/16	1/8	0.275	533271	QB-1/8-5/32-U	10
	3/16	0.126	0.433	0.909	0.335	7/16	1/8	0.522	533272	QB-1/8-3/16-U	10
	1/4	0.189	0.500	0.945	0.335	1/2	3/16	0.310	533273	QB-1/8-1/4-U	10
	5/16	0.189	0.551	1.126	0.335	9/16	3/16	0.448	533274	QB-1/8-5/16-U	10
	3/8	0.189	0.657	1.177	0.335	1 1/16	3/16	0.755	567773	QB-1/8-3/8-U	10
NPT1/4-18	5/32	0.126	0.413	0.862	0.413	9/16	1/8	0.522	567772	QB-1/4-5/32-U	10
	3/16	0.126	0.433	0.909	0.413	9/16	1/8	0.875	533275	QB-1/4-3/16-U	10
	1/4	0.189	0.500	0.921	0.413	9/16	3/16	0.452	533276	QB-1/4-1/4-U	10
	5/16	0.252	0.551	1.039	0.413	9/16	1/4	0.519	533277	QB-1/4-5/16-U	10
	3/8	0.252	0.657	1.217	0.413	1 1/16	1/4	0.896	533278	QB-1/4-3/8-U	10
NPT3/8-18	1/2	0.252	0.819	1.390	0.413	7/8	1/4	1.238	567771	QB-1/4-1/2-U	10
	1/4	0.189	0.500	0.961	0.453	1 1/16	3/16	0.840	533279	QB-3/8-1/4-U	10
	5/16	0.252	0.551	0.961	0.453	1 1/16	1/4	0.765	533280	QB-3/8-5/16-U	10
	3/8	0.315	0.657	1.087	0.453	1 1/16	5/16	0.720	533281	QB-3/8-3/8-U	5
NPT1/2-14	1/2	0.374	0.819	1.252	0.453	7/8	3/8	1.273	533282	QB-3/8-1/2-U	5
	5/16	0.252	0.551	1.079	0.571	7/8	1/4	2.106	567770	QB-1/2-5/16-U	10
	3/8	0.315	0.657	1.106	0.571	7/8	5/16	1.778	533283	QB-1/2-3/8-U	5
	1/2	0.374	0.819	1.232	0.571	7/8	3/8	1.626	533284	QB-1/2-1/2-U	5

1) Packaging unit

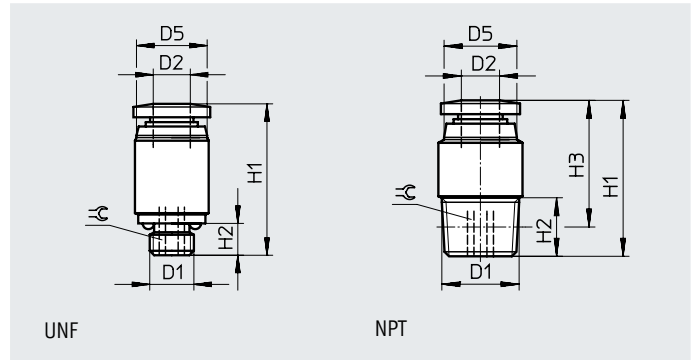


# Datasheet

## Push-in fitting QB-...-I

Male thread  
with internal hex

Design:  
Straight shape



Dimensions and ordering data											
Pneumatic connection		Nominal size	Dimensions [inch]					Weight/ piece	Part no.	Type	PU <sup>1)</sup>
Male thread	For tubing O.D.		D5	H1	H2	H3	≠G				
D1	D2	[inch]	∅					[oz]			
<b>UNF thread</b>											
UNF10-32	3/16	0.094	0.433	0.898	0.161	–	3/32	0.205	572313	QB-10-32-UNF-3/16-I-U	10
	1/4	0.094	0.512	0.953	0.161	–	3/32	0.310	572316	QB-10-32-UNF-1/4-I-U	10
<b>NPT thread</b>											
NPT1/8-27	5/32	0.126	0.433	0.827	0.335	0.665	1/8	0.240	572317	QB-1/8-5/32-I-U	10
	3/16	0.126	0.472	0.898	0.335	0.736	1/8	0.240	572315	QB-1/8-3/16-I-U	10
	1/4	0.189	0.512	0.933	0.335	0.772	3/16	0.346	572318	QB-1/8-1/4-I-U	10
	5/16	0.189	0.551	1.130	0.335	0.969	3/16	0.519	572319	QB-1/8-5/16-I-U	10
NPT1/4-18	1/4	0.189	0.551	0.941	0.413	0.713	3/16	0.452	572320	QB-1/4-1/4-I-U	10
	5/16	0.252	0.551	1.043	0.413	0.815	1/4	0.624	572321	QB-1/4-5/16-I-U	10
	3/8	0.252	0.709	1.110	0.413	0.882	1/4	0.896	572322	QB-1/4-3/8-I-U	10
NPT3/8-18	5/16	0.252	0.709	0.984	0.453	0.744	1/4	0.801	572323	QB-3/8-5/16-I-U	10
	3/8	0.315	0.709	1.110	0.453	0.870	5/16	1.213	572324	QB-3/8-3/8-I-U	10
	1/2	0.378	0.827	1.295	0.453	1.055	3/8	1.203	572325	QB-3/8-1/2-I-U	10
NPT1/2-14	1/2	0.378	0.866	1.299	0.571	0.980	3/8	1.520	572326	QB-1/2-1/2-I-U	10

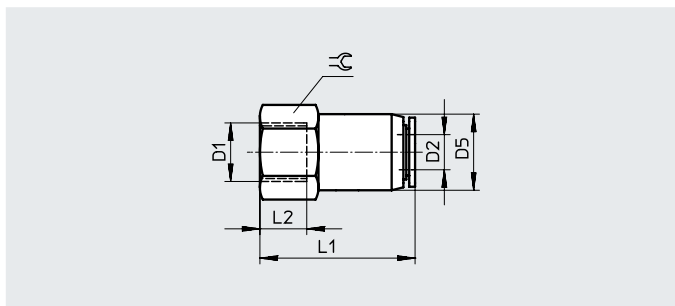
1) Packaging unit

## Datasheet

### Push-in fitting QBF

Female thread  
with external hex

Design:  
Straight shape

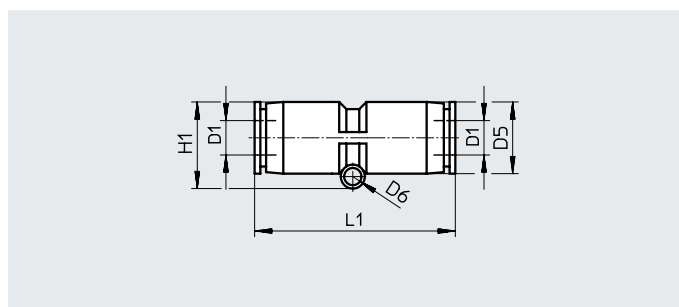


Dimensions and ordering data										
Pneumatic connection		Nominal size	Dimensions [inch]				Weight/ piece	Part no.	Type	PU <sup>1)</sup>
Female thread	For tubing O.D.		D5	L1	L2	≅				
D1	D2	[inch]	∅				[oz]			
NPT1/8-27	5/32	0.138	0.394	1.063	0.374	9/16	0.557	564636	QBF-1/8-5/32-U	10
	3/16	0.157	0.437	1.106	0.374	9/16	0.557	564637	QBF-1/8-3/16-U	10
	1/4	0.197	0.512	1.134	0.374	9/16	0.663	564638	QBF-1/8-1/4-U	10
	5/16	0.236	0.551	1.157	0.374	9/16	0.660	564639	QBF-1/8-5/16-U	10
	3/8	0.315	0.657	1.299	0.374	1 1/16	1.037	564640	QBF-1/8-3/8-U	10
NPT1/4-18	5/32	0.138	0.394	1.161	0.453	1 1/16	0.698	564642	QBF-1/4-5/32-U	10
	3/16	0.157	0.437	1.185	0.453	1 1/16	0.698	564643	QBF-1/4-3/16-U	10
	1/4	0.197	0.512	1.213	0.453	1 1/16	0.840	564644	QBF-1/4-1/4-U	10
	5/16	0.236	0.551	1.256	0.453	1 1/16	0.907	564645	QBF-1/4-5/16-U	10
	3/8	0.315	0.657	1.299	0.453	1 1/16	0.931	564646	QBF-1/4-3/8-U	10
NPT3/8-18	1/2	0.394	0.819	1.472	0.453	7/8	1.873	564647	QBF-1/4-1/2-U	5
	1/4	0.197	0.512	1.291	0.492	7/8	1.404	564648	QBF-3/8-1/4-U	10
	5/16	0.236	0.551	1.276	0.492	7/8	1.365	567774	QBF-3/8-5/16-U	10
	3/8	0.315	0.657	1.339	0.492	7/8	1.390	564649	QBF-3/8-3/8-U	10
NPT1/2-14	1/2	0.394	0.819	1.472	0.492	7/8	1.591	564650	QBF-3/8-1/2-U	5
	5/16	0.236	0.551	1.354	0.571	1 5/16	1.612	564651	QBF-1/2-5/16-U	10
	3/8	0.315	0.657	1.441	0.571	1 5/16	1.460	564652	QBF-1/2-3/8-U	5

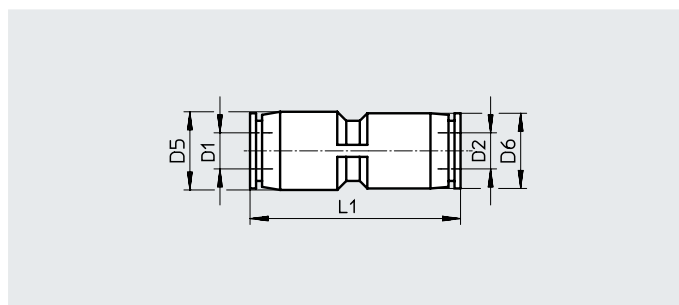
1) Packaging unit

## Datasheet

## Push-in connector QB-...T

 Design:  
 Straight shape


Reducing



## Dimensions and ordering data

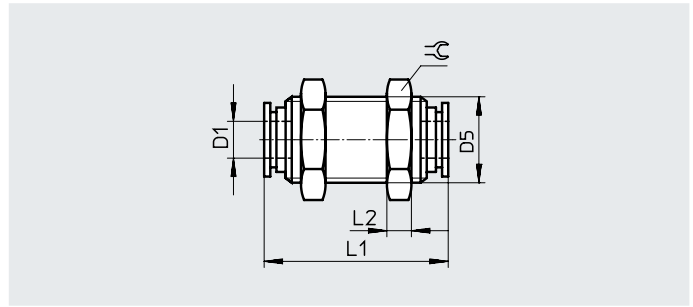
Pneumatic connection		Nominal size [inch]	Dimensions [inch]				Weight/ piece [oz]	Part no.	Type	PU <sup>1)</sup>
For tubing O.D. D1	For tubing O.D. D2		D5 ø	D6 ø	H1	L1				
5/32	–	0.118	0.413	0.130	0.500	1.350	0.127	564754	QB-5/32T-U	10
3/16	–	0.138	0.453	0.138	0.594	1.409	0.120	564755	QB-3/16T-U	10
1/4	–	0.189	0.512	0.138	0.638	1.449	0.226	564756	QB-1/4T-U	10
5/16	–	0.256	0.571	0.169	0.693	1.579	0.296	564757	QB-5/16T-U	10
3/8	–	0.315	0.689	0.177	0.846	1.669	0.473	564758	QB-3/8T-U	10
1/2	–	0.354	0.827	0.177	0.965	1.925	0.670	564759	QB-1/2T-U	5
<b>Reducing</b>										
3/16	5/32	0.126	0.453	0.413	–	1.378	0.194	564797	QB-3/16T-5/32-U	10
1/4	5/32	0.126	0.512	0.413	–	1.398	0.194	564798	QB-1/4T-5/32-U	10
	3/16	0.150	0.512	0.453	–	1.429	0.190	564799	QB-1/4T-3/16-U	10
5/16	5/32	0.126	0.583	0.413	–	1.524	0.194	564800	QB-5/16T-5/32-U	10
	1/4	0.197	0.571	0.512	–	1.512	0.261	564801	QB-5/16T-1/4-U	10
3/8	1/4	0.197	0.689	0.512	–	1.563	0.279	564802	QB-3/8T-1/4-U	10
	5/16	0.276	0.689	0.571	–	1.626	0.384	564803	QB-3/8T-5/16-U	10
1/2	3/8	0.315	0.827	0.689	–	1.780	0.571	564804	QB-1/2T-3/8-U	5

1) Packaging unit

## Datasheet

### Push-in bulkhead connector QBS-...T

Design:  
Bulkhead



#### Dimensions and ordering data

Pneumatic connection For tubing O.D. D1	Nominal size [inch]	Dimensions [inch]				≅	Weight/ piece [oz]	Part no.	Type	PU <sup>1)</sup>
		D5 ∅	L1	L2						
5/32	0.118	M12x1	1.398	0.157	0.551	0.691	564748	QBS-5/32T-U	10	
3/16	0.157	M14x1	1.441	0.157	0.669	0.691	564749	QBS-3/16T-U	10	
1/4	0.197	M14x1	1.535	0.157	0.669	1.044	564750	QBS-1/4T-U	10	
5/16	0.276	M16x1	1.661	0.197	0.748	1.284	564751	QBS-5/16T-U	10	
3/8	0.315	M20x1	1.693	0.197	0.945	2.109	564752	QBS-3/8T-U	5	
1/2	0.433	M22x1	1.949	0.197	1.024	2.935	564753	QBS-1/2T-U	5	

1) Packaging unit

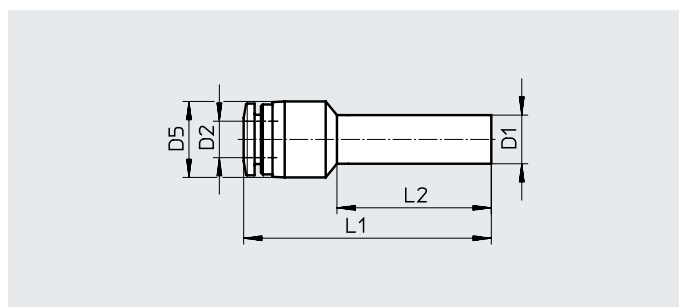
## Datasheet

### Push-in connector QB-...H

With push-in sleeve

Design:

Straight shape



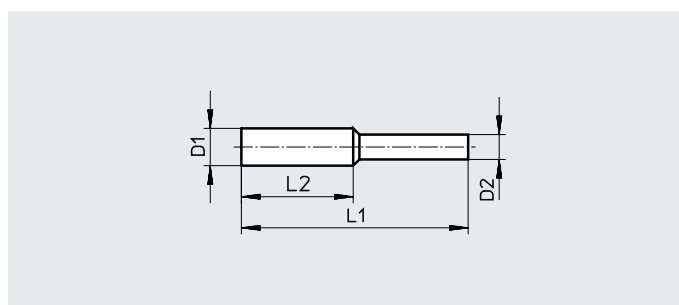
Dimensions and ordering data									
Pneumatic connection		Nominal size [inch]	Dimensions [inch]			Weight/piece [oz]	Part no.	Type	PU <sup>1)</sup>
Push-in sleeve ∅ D1	For tubing O.D. D2		D5 ∅	L1	L2				
1/8	1/4	0.051	0.512	1.488	0.728	0.095	564810	QB-1/8H-1/4-U	10
5/32	1/8	0.079	0.299	1.197	0.709	0.106	564811	QB-5/32H-1/8-U	10
	1/4	0.079	0.512	1.488	0.728	0.095	564812	QB-5/32H-1/4-U	10
1/4	1/8	0.098	0.299	1.260	0.850	0.141	564813	QB-1/4H-1/8-U	10
	5/32	0.134	0.413	1.587	0.890	0.134	564814	QB-1/4H-5/32-U	10
5/16	5/32	0.197	0.413	1.567	0.972	0.169	564815	QB-5/16H-5/32-U	10
	1/4	0.157	0.512	1.890	1.130	0.166	564816	QB-5/16H-1/4-U	10
3/8	1/4	0.220	0.512	1.890	1.228	0.166	564817	QB-3/8H-1/4-U	10
	5/16	0.256	0.583	1.772	0.957	0.201	567779	QB-3/8H-5/16-U	10
1/2	3/8	0.315	0.689	2.039	1.205	0.219	567780	QB-1/2H-3/8-U	10

1) Packaging unit

### Push-in sleeve QBH

Design:

Straight shape



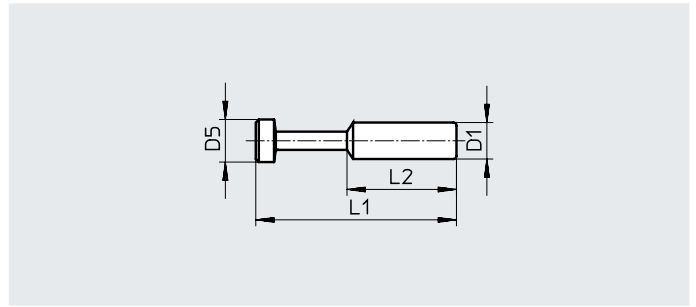
Dimensions and ordering data									
Pneumatic connection		Nominal size [inch]	Dimensions [inch]		Weight/piece [oz]	Part no.	Type	PU <sup>1)</sup>	
Push-in sleeve ∅ D1	Push-in sleeve ∅ D2		L1	L2					
<b>Reducing</b>									
3/16	5/32	0.079	1.575	0.787	0.035	567781	QBH-3/16-5/32-U	10	
1/4	5/32	0.079	1.614	0.827	0.035	567761	QBH-1/4-5/32-U	10	
	3/16	0.110	1.614	0.827	0.035	567782	QBH-1/4-3/16-U	10	
5/16	1/4	0.157	1.693	0.866	0.071	567783	QBH-5/16-1/4-U	10	
3/8	1/4	0.157	1.772	0.906	0.106	567762	QBH-3/8-1/4-U	10	
	5/16	0.197	1.772	0.906	0.106	567784	QBH-3/8-5/16-U	10	
1/2	3/8	0.256	1.890	0.984	0.141	567785	QBH-1/2-3/8-U	10	

1) Packaging unit

## Datasheet

### Blanking plug QBC-...H

Design:  
Blanking plug



#### Dimensions and ordering data

Pneumatic connection	Dimensions [inch]			Weight/ piece [oz]	Part no.	Type	PU <sup>1)</sup>
Push-in sleeve $\varnothing$	D5 $\varnothing$	L1	L2				
D1							
5/32	5/32	1.181	0.709	0.035	564784	QBC-5/32H-U	10
3/16	3/16	1.299	0.748	0.035	564785	QBC-3/16H-U	10
1/4	1/4	1.339	0.787	0.035	564786	QBC-1/4H-U	10
5/16	5/16	1.496	0.866	0.035	564787	QBC-5/16H-U	10
3/8	3/8	1.654	0.984	0.071	564788	QBC-3/8H-U	10
1/2	1/2	1.811	1.102	0.106	564789	QBC-1/2H-U	10

1) Packaging unit

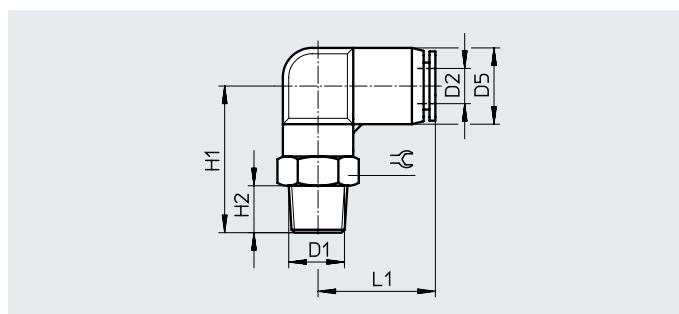
## Datasheet

**Push-in L-fitting QBL**

 Male thread  
with external hex

 Design:  
L-shape


NPT thread



Dimensions and ordering data											
Pneumatic connection		Nominal size	Dimensions [inch]					Weight/ piece	Part no.	Type	PU <sup>1)</sup>
Male thread	For tubing O.D.		D5	H1	H2	L1	≅				
D1	D2	[inch]	∅					[oz]			
<b>UNF thread</b>											
UNF10-32	5/32	0.098	0.413	0.841	0.142	0.722	7/16	0.275	533286	QBL-10-32-UNF-5/32-U	10
	3/16	0.118	0.453	0.841	0.142	0.726	7/16	0.272	533287	QBL-10-32-UNF-3/16-U	10
	1/4	0.098	0.512	1.020	0.142	0.787	1/2	0.413	533288	QBL-10-32-UNF-1/4-U	10
<b>NPT thread</b>											
NPT1/8-27	5/32	0.118	0.413	0.982	0.335	0.722	7/16	0.346	533290	QBL-1/8-5/32-U	10
	3/16	0.118	0.453	0.982	0.335	0.726	7/16	0.342	533291	QBL-1/8-3/16-U	10
	1/4	0.177	0.512	1.094	0.335	0.787	1/2	0.519	533292	QBL-1/8-1/4-U	10
	5/16	0.236	0.583	1.161	0.335	0.902	9/16	0.624	533293	QBL-1/8-5/16-U	10
	3/8	0.197	0.689	1.179	0.335	0.927	1 1/16	0.854	567777	QBL-1/8-3/8-U	10
NPT1/4-18	5/32	0.118	0.413	1.100	0.413	0.722	9/16	0.593	567776	QBL-1/4-5/32-U	10
	3/16	0.118	0.453	1.100	0.413	0.726	9/16	0.589	533294	QBL-1/4-3/16-U	10
	1/4	0.177	0.512	1.201	0.413	0.787	9/16	0.695	533295	QBL-1/4-1/4-U	10
	5/16	0.236	0.583	1.240	0.413	0.902	9/16	0.801	533296	QBL-1/4-5/16-U	10
	3/8	0.315	0.689	1.258	0.413	0.927	1 1/16	0.995	533297	QBL-1/4-3/8-U	5
NPT3/8-18	1/2	0.315	0.827	1.398	0.413	1.075	3/4	1.270	567775	QBL-1/4-1/2-U	5
	3/16	0.118	0.453	1.140	0.453	0.726	1 1/16	0.660	567763	QBL-3/8-3/16-U	10
	1/4	0.177	0.512	1.240	0.453	0.787	1 1/16	1.153	533298	QBL-3/8-1/4-U	5
	5/16	0.236	0.583	1.280	0.453	0.902	1 1/16	1.259	533299	QBL-3/8-5/16-U	5
	3/8	0.315	0.689	1.297	0.453	0.927	1 1/16	1.171	533300	QBL-3/8-3/8-U	5
NPT1/2-14	1/2	0.354	0.827	1.437	0.453	1.075	3/4	1.587	533301	QBL-3/8-1/2-U	5
	3/8	0.315	0.689	1.415	0.571	0.927	7/8	1.877	533302	QBL-1/2-3/8-U	5
	1/2	0.354	0.827	1.555	0.571	1.075	7/8	2.222	533303	QBL-1/2-1/2-U	5

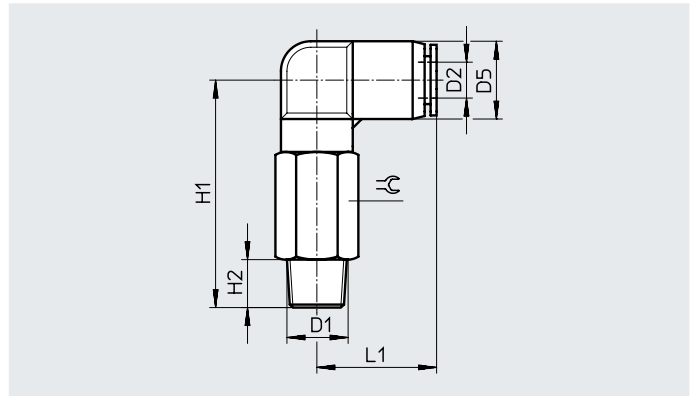
1) Packaging unit

## Datasheet

### Push-in L-fitting, long QBLL

Male thread  
with external hex

Design:  
L-shape, long



Dimensions and ordering data											
Pneumatic connection		Nominal size	Dimensions [inch]					Weight/ piece	Part no.	Type	PU <sup>1)</sup>
Male thread	For tubing O.D.		D5	H1	H2	L1	±G				
D1	D2	[inch]	∅					[oz]			
NPT1/8-27	5/32	0.118	0.413	1.415	0.335	0.726	7/16	0.628	564668	QBLL-1/8-5/32-U	10
	3/16	0.118	0.453	1.415	0.335	0.726	7/16	0.624	564669	QBLL-1/8-3/16-U	10
	1/4	0.177	0.512	1.614	0.335	0.787	1/2	1.012	564670	QBLL-1/8-1/4-U	10
	5/16	0.236	0.583	1.751	0.335	0.894	9/16	1.259	564671	QBLL-1/8-5/16-U	10
NPT1/4-18	5/32	0.118	0.413	1.474	0.413	0.726	9/16	1.122	564672	QBLL-1/4-5/32-U	10
	3/16	0.118	0.453	1.474	0.413	0.726	9/16	1.118	564673	QBLL-1/4-3/16-U	10
	1/4	0.177	0.512	1.732	0.413	0.787	9/16	1.224	564674	QBLL-1/4-1/4-U	10
	5/16	0.236	0.583	1.831	0.413	0.894	9/16	1.400	564675	QBLL-1/4-5/16-U	10
	3/8	0.276	0.689	1.967	0.413	0.928	1 1/16	2.265	564676	QBLL-1/4-3/8-U	5
NPT3/8-18	1/2	0.315	0.827	2.263	0.413	1.075	3/4	3.139	564677	QBLL-1/4-1/2-U	5
	3/16	0.118	0.453	1.534	0.453	0.726	1 1/16	1.400	567766	QBLL-3/8-3/16-U	10
	1/4	0.177	0.512	1.772	0.453	0.787	1 1/16	1.753	564678	QBLL-3/8-1/4-U	10
	5/16	0.236	0.583	1.989	0.453	0.894	1 1/16	2.106	564679	QBLL-3/8-5/16-U	5
	3/8	0.276	0.689	2.006	0.453	0.928	1 1/16	2.441	564680	QBLL-3/8-3/8-U	5
NPT1/2-14	1/2	0.354	0.827	2.303	0.453	1.075	3/4	4.198	564681	QBLL-3/8-1/2-U	5
	3/8	0.276	0.689	2.125	0.571	0.928	7/8	3.499	564682	QBLL-1/2-3/8-U	5
	1/2	0.354	0.827	2.422	0.571	1.075	7/8	5.609	564683	QBLL-1/2-1/2-U	5

1) Packaging unit

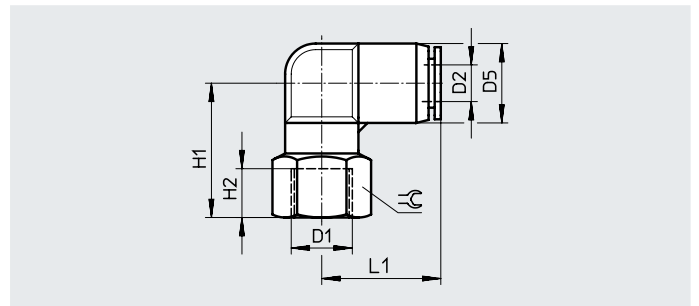


# Datasheet

## Push-in L-fitting QBLF

Female thread  
with external hex

Design:  
L-shape



### Dimensions and ordering data

Pneumatic connection		Nominal size [inch]	Dimensions [inch]					Weight/ piece [oz]	Part no.	Type	PU <sup>1)</sup>
Female thread D1	For tubing O.D. D2		D5 ∅	H1	H2	L1	⌀				
<b>UNF thread</b>											
UNF10-32	5/32	0.098	0.413	0.845	0.276	0.727	7/16	0.275	567765	QBLF-10-32-UNF-5/32-U	10
	1/4	0.118	0.512	0.827	0.197	0.787	1/2	0.413	567764	QBLF-10-32-UNF-1/4-U	10
<b>NPT thread</b>											
NPT1/8-27	5/32	0.098	0.413	0.885	0.354	0.727	9/16	0.557	564653	QBLF-1/8-5/32-U	10
	3/16	0.098	0.453	0.884	0.354	0.727	9/16	0.554	564654	QBLF-1/8-3/16-U	10
	1/4	0.157	0.512	0.984	0.354	0.787	9/16	0.730	564655	QBLF-1/8-1/4-U	10
	5/16	0.236	0.583	1.024	0.354	0.894	9/16	0.660	564656	QBLF-1/8-5/16-U	10
NPT1/4-18	5/32	0.098	0.413	0.885	0.433	0.727	1 1/16	0.698	564657	QBLF-1/4-5/32-U	10
	3/16	0.098	0.453	0.963	0.433	0.727	1 1/16	0.695	564658	QBLF-1/4-3/16-U	10
	1/4	0.157	0.512	1.083	0.433	0.787	1 1/16	0.801	564659	QBLF-1/4-1/4-U	10
	5/16	0.236	0.583	1.102	0.433	0.894	1 1/16	0.907	564660	QBLF-1/4-5/16-U	5
NPT3/8-18	3/8	0.276	0.689	1.121	0.433	0.928	1 1/16	1.136	564661	QBLF-1/4-3/8-U	5
	1/4	0.157	0.512	1.102	0.472	0.787	7/8	0.871	564662	QBLF-3/8-1/4-U	10
	5/16	0.236	0.583	1.141	0.472	0.894	7/8	1.012	564663	QBLF-3/8-5/16-U	5
	3/8	0.276	0.689	1.160	0.472	0.928	7/8	1.277	564664	QBLF-3/8-3/8-U	5
NPT1/2-14	1/2	0.354	0.827	1.300	0.472	1.075	7/8	2.011	564665	QBLF-3/8-1/2-U	5
	3/8	0.276	0.689	1.239	0.571	0.928	1 5/16	1.439	564666	QBLF-1/2-3/8-U	5
	1/2	0.354	0.827	1.378	0.571	1.075	1 5/16	2.646	564667	QBLF-1/2-1/2-U	5

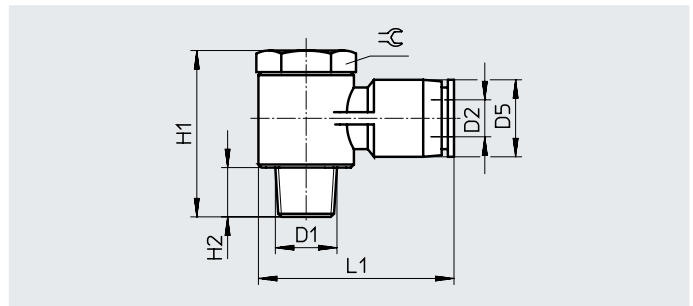
1) Packaging unit

## Datasheet

### Push-in L-fitting QBLV

Male thread  
with external hex

Design:  
L-shape



#### Dimensions and ordering data

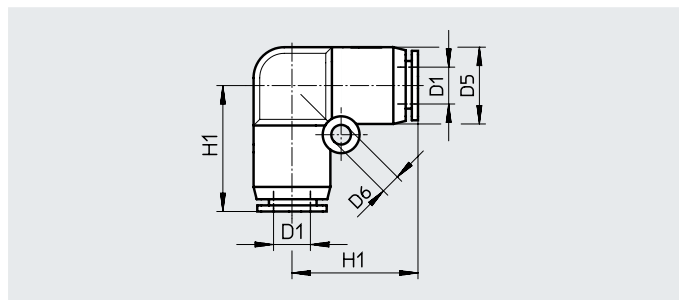
Pneumatic connection		Nominal size [inch]	Dimensions [inch]					Weight/ piece [oz]	Part no.	Type	PU <sup>1)</sup>
Male thread	For tubing O.D.		D5 ∅	H1	H2	L1	⌀				
D1	D2										
<b>UNF thread</b>											
UNF10-32	1/8	0.059	0.307	0.717	0.142	0.846	5/16	0.247	564727	QBLV-10-32-UNF-1/8-U	10
	5/32	0.059	0.413	0.717	0.142	1.039	5/16	0.275	564728	QBLV-10-32-UNF-5/32-U	10
	3/16	0.059	0.453	0.717	0.142	1.051	5/16	0.271	564729	QBLV-10-32-UNF-3/16-U	10
	1/4	0.059	0.512	0.717	0.142	1.130	5/16	0.307	564730	QBLV-10-32-UNF-1/4-U	10
<b>NPT thread</b>											
NPT1/8-27	5/32	0.118	0.413	0.984	0.295	1.209	7/16	0.840	564731	QBLV-1/8-5/32-U	10
	3/16	0.118	0.453	0.984	0.295	1.240	7/16	0.836	564732	QBLV-1/8-3/16-U	10
	1/4	0.118	0.512	0.984	0.295	1.260	7/16	0.836	564733	QBLV-1/8-1/4-U	10
	5/16	0.118	0.571	0.984	0.295	1.323	7/16	1.224	564734	QBLV-1/8-5/16-U	10
NPT1/4-18	5/32	0.126	0.413	1.134	0.394	1.362	5/16	1.051	564735	QBLV-1/4-5/32-U	10
	3/16	0.138	0.453	1.134	0.394	1.394	19/32	1.048	564736	QBLV-1/4-3/16-U	10
	1/4	0.177	0.512	1.134	0.394	1.413	19/32	1.259	564737	QBLV-1/4-1/4-U	10
	5/16	0.177	0.571	1.134	0.394	1.476	19/32	1.295	564738	QBLV-1/4-5/16-U	10
NPT3/8-18	3/8	0.177	0.689	1.134	0.394	1.575	19/32	2.088	564739	QBLV-1/4-3/8-U	5
	3/16	0.138	0.453	1.327	0.476	1.539	3/4	1.330	564741	QBLV-3/8-3/16-U	10
	1/4	0.236	0.512	1.327	0.476	1.559	3/4	1.577	564740	QBLV-3/8-1/4-U	5
	5/16	0.236	0.571	1.327	0.476	1.606	3/4	2.106	564742	QBLV-3/8-5/16-U	5
NPT1/2-14	3/8	0.236	0.689	1.327	0.476	1.650	3/4	3.146	564743	QBLV-3/8-3/8-U	5
	1/2	0.236	0.819	1.327	0.476	1.780	3/4	2.293	564744	QBLV-3/8-1/2-U	5
	5/16	0.256	0.571	1.551	0.579	1.823	15/16	3.411	564745	QBLV-1/2-5/16-U	5
	3/8	0.276	0.689	1.551	0.579	1.858	15/16	3.499	564746	QBLV-1/2-3/8-U	5
	1/2	0.315	0.819	1.551	0.579	1.984	15/16	3.845	564747	QBLV-1/2-1/2-U	5

1) Packaging unit

## Datasheet

### Push-in L-connector QBL-...T

Design:  
L-shape



Dimensions and ordering data								
Pneumatic connection	Nominal size	Dimensions [inch]			Weight/ piece	Part no.	Type	PU <sup>1)</sup>
For tubing O.D.		D5 ∅	D6 ∅	H1				
D1	[inch]				[oz]			
5/32	0.118	0.413	0.130	0.742	0.162	564760	QBL-5/32T-U	10
3/16	0.138	0.453	0.138	0.782	0.155	564761	QBL-3/16T-U	10
1/4	0.189	0.512	0.138	0.838	0.261	564762	QBL-1/4T-U	10
5/16	0.276	0.571	0.169	0.947	0.332	564763	QBL-5/16T-U	10
3/8	0.315	0.689	0.177	1.010	0.508	564764	QBL-3/8T-U	10
1/2	0.354	0.827	0.177	1.189	0.776	564765	QBL-1/2T-U	5

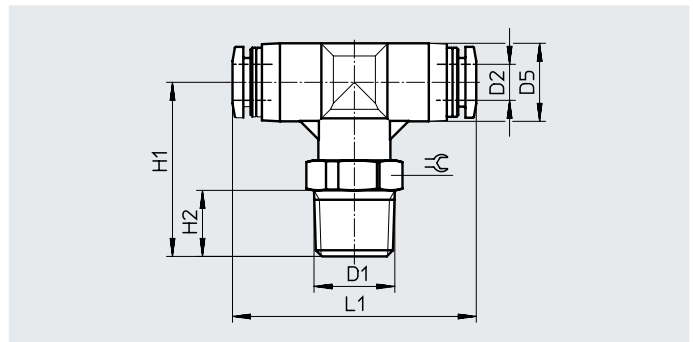
1) Packaging unit

## Datasheet

### Push-in T-fitting QBT

Male thread  
with external hex

Design:  
T-shape



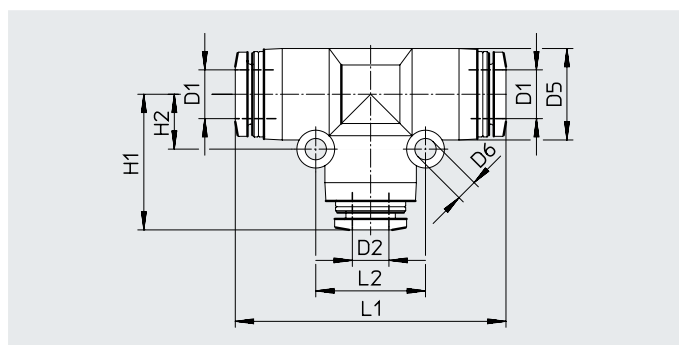
#### Dimensions and ordering data

Pneumatic connection		Nominal size [inch]	Dimensions [inch]					Weight/ piece [oz]	Part no.	Type	PU <sup>1)</sup>
Male thread	For tubing O.D.		D5 ∅	H1	H2	L1	≅				
D1	D2										
<b>UNF thread</b>											
UNF10-32	5/32	0.098	0.413	0.841	0.142	1.469	7/16	0.339	533305	QBT-10-32-UNF-5/32-U	10
	3/16	0.118	0.453	0.841	0.142	1.512	7/16	0.332	533306	QBT-10-32-UNF-3/16-U	10
	1/4	0.098	0.512	1.020	0.142	1.614	1/2	0.508	533307	QBT-10-32-UNF-1/4-U	10
<b>NPT thread</b>											
NPT1/8-27	5/32	0.118	0.413	0.983	0.335	1.469	7/16	0.409	533309	QBT-1/8-5/32-U	10
	3/16	0.118	0.453	0.983	0.335	1.512	7/16	0.402	533310	QBT-1/8-3/16-U	10
	1/4	0.177	0.512	1.094	0.335	1.614	1/2	0.578	533311	QBT-1/8-1/4-U	10
	5/16	0.236	0.583	1.154	0.335	1.776	9/16	0.790	533312	QBT-1/8-5/16-U	5
	3/8	0.197	0.689	1.180	0.335	1.866	1 1/16	1.213	567767	QBT-1/8-3/8-U	5
NPT1/4-18	5/32	0.118	0.413	1.101	0.413	1.469	9/16	0.550	567778	QBT-1/4-5/32-U	10
	3/16	0.118	0.453	1.101	0.413	1.512	9/16	0.543	533313	QBT-1/4-3/16-U	10
	1/4	0.177	0.512	1.201	0.413	1.614	9/16	0.790	533314	QBT-1/4-1/4-U	5
	5/16	0.236	0.583	1.233	0.413	1.776	9/16	0.931	533315	QBT-1/4-5/16-U	5
	3/8	0.276	0.689	1.258	0.413	1.866	1 1/16	1.354	533316	QBT-1/4-3/8-U	5
	1/2	0.315	0.827	1.398	0.413	2.224	3/4	1.587	567768	QBT-1/4-1/2-U	5
NPT3/8-18	3/16	0.118	0.453	1.140	0.453	1.512	1 1/16	0.684	567769	QBT-3/8-3/16-U	10
	1/4	0.177	0.512	1.240	0.453	1.614	1 1/16	1.496	533317	QBT-3/8-1/4-U	5
	5/16	0.236	0.583	1.272	0.453	1.776	1 1/16	1.072	533318	QBT-3/8-5/16-U	5
	3/8	0.276	0.689	1.298	0.453	1.866	1 1/16	1.531	533319	QBT-3/8-3/8-U	5
	1/2	0.354	0.827	1.437	0.453	2.224	3/4	1.905	533320	QBT-3/8-1/2-U	1
NPT1/2-14	3/8	0.276	0.689	1.416	0.571	1.866	7/8	2.060	533321	QBT-1/2-3/8-U	5
	1/2	0.354	0.827	1.556	0.571	2.224	7/8	2.610	533322	QBT-1/2-1/2-U	1

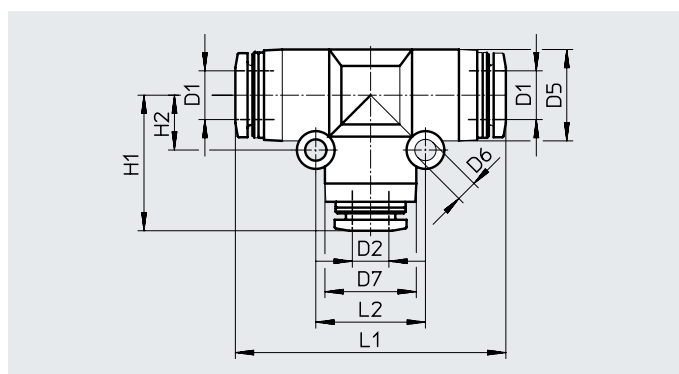
1) Packaging unit

## Datasheet

## Push-in T-connector QBT-...T

 Design:  
T-shape


Reducing



## Dimensions and ordering data

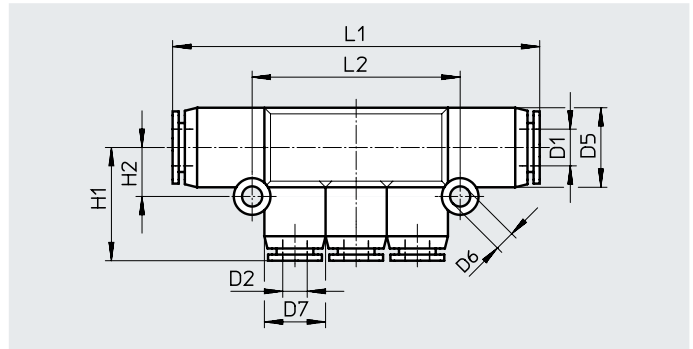
Pneumatic connection		Nominal size [inch]	Dimensions [inch]							Weight/ piece [oz]	Part no.	Type	PU <sup>1)</sup>
For tubing O.D. D1	For tubing O.D. D2		D5 ∅	D6 ∅	D7	H1	H2	L1	L2				
5/32	5/32	0.118	0.413	0.130	–	0.739	0.248	1.429	0.496	0.226	564766	QBT-5/32T-U	10
3/16	3/16	0.138	0.453	0.138	–	0.782	0.295	1.567	0.591	0.215	564767	QBT-3/16T-U	10
1/4	1/4	0.189	0.512	0.138	–	0.838	0.323	1.677	0.650	0.356	564768	QBT-1/4T-U	10
5/16	5/16	0.256	0.571	0.169	–	0.935	0.350	1.795	0.701	0.462	564769	QBT-5/16T-U	10
3/8	3/8	0.315	0.689	0.177	–	1.010	0.433	2.024	0.866	0.691	564770	QBT-3/8T-U	5
1/2	1/2	0.354	0.827	0.177	–	1.189	0.500	2.382	1.004	1.093	564771	QBT-1/2T-U	5
<b>Reducing</b>													
1/4	5/32	0.126	0.512	0.169	0.413	0.787	0.323	1.589	0.571	0.289	564805	QBT-1/4T-5/32-U	10
5/16	1/4	0.197	0.583	0.177	0.512	0.890	0.382	1.815	0.689	0.392	564806	QBT-5/16T-1/4-U	10
3/8	1/4	0.197	0.689	0.177	0.512	0.920	0.433	1.906	0.689	0.603	564807	QBT-3/8T-1/4-U	10
	5/16	0.256	0.689	0.169	0.571	0.991	0.429	1.945	0.740	0.638	564808	QBT-3/8T-5/16-U	10
1/2	3/8	0.315	0.827	0.177	0.689	1.032	0.500	2.303	0.866	0.889	564809	QBT-1/2T-3/8-U	5

1) Packaging unit

## Datasheet

### Multiple distributor QBT3-...T

3 outlets



#### Dimensions and ordering data

Pneumatic connection		Nominal size [inch]	Dimensions [inch]							Weight/ piece [oz]	Part no.	Type	PU <sup>1)</sup>
For tubing O.D. D1	For tubing O.D. D2		D5 ∅	D6 ∅	D7 ∅	H1	H2	L1	L2				
3/16	5/32	0.126	0.453	0.177	0.413	0.809	0.315	2.386	1.417	0.850	567786	QBT3-3/16T-5/32-U	5
1/4	5/32	0.126	0.512	0.177	0.413	0.807	0.343	2.425	1.417	0.850	564791	QBT3-1/4T-5/32-U	5
5/16	5/32	0.126	0.571	0.169	0.413	0.821	0.358	2.614	1.370	1.732	564792	QBT3-5/16T-5/32-U	5
	3/16	0.157	0.571	0.177	0.453	0.853	0.382	2.705	1.535	1.721	564793	QBT3-5/16T-3/16-U	5
	1/4	0.197	0.571	0.177	0.512	0.892	0.382	2.862	1.713	1.721	564794	QBT3-5/16T-1/4-U	5
3/8	1/4	0.197	0.689	0.177	0.512	0.920	0.433	2.913	1.713	1.880	564795	QBT3-3/8T-1/4-U	5
	5/16	0.260	0.689	0.169	0.571	1.026	0.374	3.291	1.850	1.880	564796	QBT3-3/8T-5/16-U	5

1) Packaging unit

# Datasheet

## Push-in T-fitting QBTL

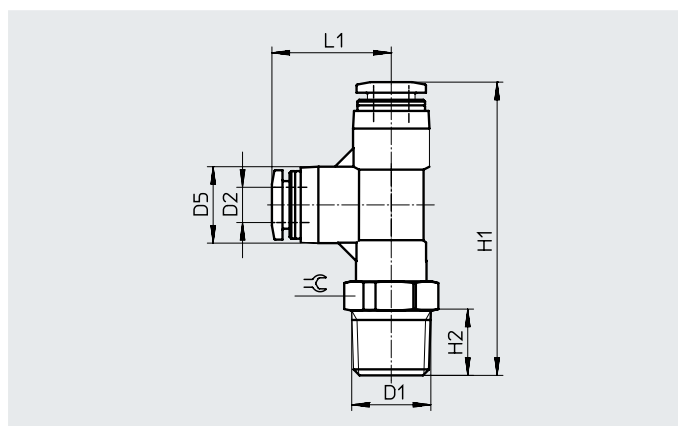
Male thread  
with external hex

Design:

L-shape, additional push-in connector,  
lengthwise



NPT thread



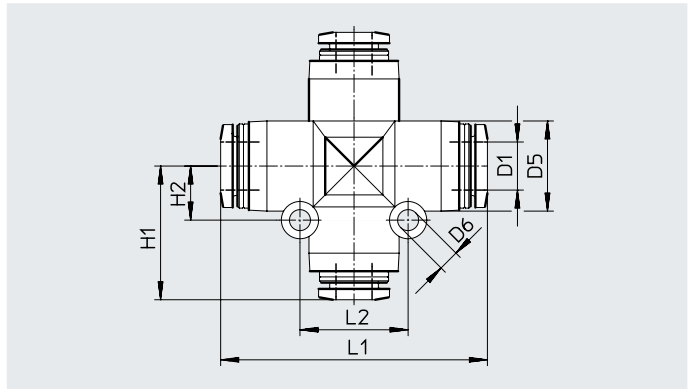
Dimensions and ordering data											
Pneumatic connection		Nominal size	Dimensions [inch]					Weight/ piece	Part no.	Type	PU <sup>1)</sup>
Male thread	For tubing O.D.		D5 ∅	H1	H2	L1	±G				
D1	D2	[inch]						[oz]			
<b>UNF thread</b>											
UNF10-32	5/32	0.098	0.417	1.654	0.142	0.772	7/16	0.339	564706	QBTL-10-32-UNF-5/32-U	10
	3/16	0.118	0.453	1.638	0.142	0.794	7/16	0.332	564707	QBTL-10-32-UNF-3/16-U	10
	1/4	0.098	0.512	1.866	0.142	0.846	1/2	0.508	564708	QBTL-10-32-UNF-1/4-U	10
<b>NPT thread</b>											
NPT1/8-27	5/32	0.118	0.417	1.831	0.335	0.772	7/16	0.409	564709	QBTL-1/8-5/32-U	10
	3/16	0.118	0.453	1.780	0.335	0.794	7/16	0.402	564710	QBTL-1/8-3/16-U	10
	1/4	0.177	0.512	1.941	0.335	0.846	1/2	0.578	564711	QBTL-1/8-1/4-U	10
	5/16	0.236	0.591	2.126	0.335	0.937	9/16	0.790	564712	QBTL-1/8-5/16-U	10
	3/8	0.197	0.689	2.252	0.335	1.010	1 1/16	1.213	564713	QBTL-1/8-3/8-U	5
NPT1/4-18	5/32	0.118	0.417	1.913	0.413	0.772	9/16	0.550	564714	QBTL-1/4-5/32-U	10
	3/16	0.118	0.453	1.898	0.413	0.794	9/16	0.543	564715	QBTL-1/4-3/16-U	10
	1/4	0.177	0.512	2.047	0.413	0.846	9/16	0.790	564716	QBTL-1/4-1/4-U	10
	5/16	0.236	0.591	2.205	0.413	0.937	9/16	0.931	564717	QBTL-1/4-5/16-U	10
	3/8	0.276	0.689	2.331	0.413	1.010	1 1/16	1.354	564718	QBTL-1/4-3/8-U	5
	1/2	0.315	0.827	2.587	0.413	1.189	3/4	1.587	564719	QBTL-1/4-1/2-U	5
NPT3/8-18	3/16	0.118	0.453	1.937	0.453	0.794	1 1/16	0.684	564721	QBTL-3/8-3/16-U	10
	1/4	0.177	0.512	2.087	0.453	0.846	1 1/16	1.496	564720	QBTL-3/8-1/4-U	10
	5/16	0.236	0.591	2.244	0.453	0.937	1 1/16	1.072	564722	QBTL-3/8-5/16-U	10
	3/8	0.276	0.689	2.370	0.453	1.010	1 1/16	1.531	564723	QBTL-3/8-3/8-U	5
	1/2	0.394	0.827	2.626	0.453	1.189	3/4	1.905	564724	QBTL-3/8-1/2-U	5
NPT1/2-14	3/8	0.276	0.689	2.480	0.571	1.010	7/8	2.060	564725	QBTL-1/2-3/8-U	5
	1/2	0.394	0.827	2.744	0.571	1.189	7/8	2.610	564726	QBTL-1/2-1/2-U	5

1) Packaging unit

## Datasheet

### Push-in X connector QBX-...T

Design:  
X-shape



#### Dimensions and ordering data

Pneumatic connection For tubing O.D. D1	Nominal size [inch]	Dimensions [inch]					Weight/ piece [oz]	Part no.	Type	PU <sup>1)</sup>
		D5 ∅	D6 ∅	H1	L1	L2				
5/32	0.102	0.413	0.130	0.707	1.413	0.500	0.289	564778	QBX-5/32T-U	10
3/16	0.138	0.453	0.138	0.782	1.567	0.591	0.275	564779	QBX-3/16T-U	10
1/4	0.197	0.512	0.130	0.838	1.677	0.642	0.381	564780	QBX-1/4T-U	10
5/16	0.236	0.571	0.165	0.896	1.795	0.717	0.557	564781	QBX-5/16T-U	5
3/8	0.276	0.689	0.169	0.951	1.906	0.799	0.945	564782	QBX-3/8T-U	5
1/2	0.354	0.827	0.169	1.189	2.382	0.996	1.305	564783	QBX-1/2T-U	5

1) Packaging unit

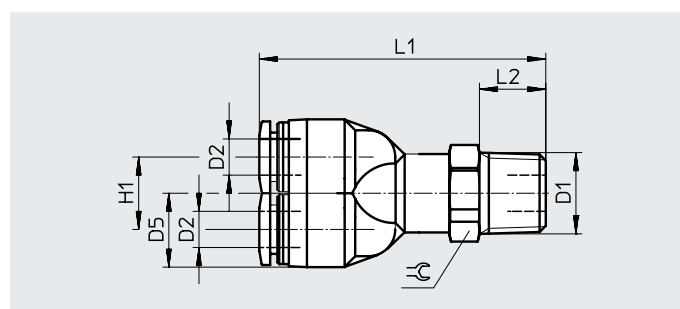


# Datasheet

## Push-in Y-fitting, QBY

Male thread  
with external hex

Design:  
Y-shape



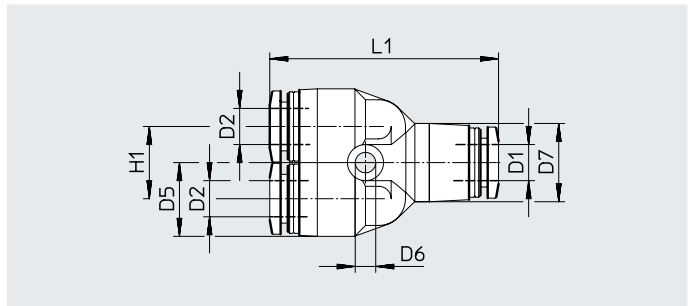
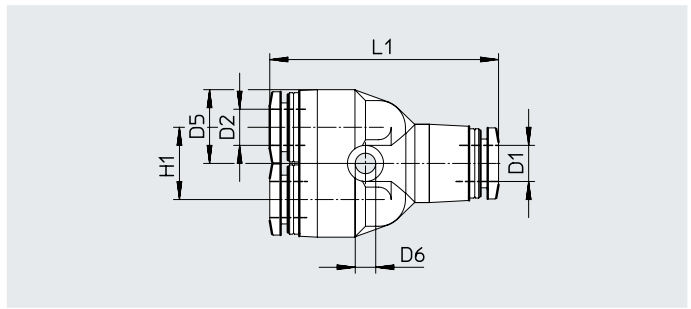
Dimensions and ordering data											
Pneumatic connection		Nominal size [inch]	Dimensions [inch]					Weight/ piece [oz]	Part no.	Type	PU <sup>1)</sup>
Male thread	For tubing O.D.		D5 ∅	H1	L1	L2	⌀				
D1	D2										
<b>UNF thread</b>											
UNF10-32	5/32	0.098	0.413	0.413	1.591	0.142	7/16	0.374	564684	QBY-10-32-UNF-5/32-U	10
	3/16	0.118	0.453	0.453	1.650	0.142	7/16	0.367	564685	QBY-10-32-UNF-3/16-U	10
	1/4	0.098	0.512	0.512	1.803	0.142	1/2	0.543	564686	QBY-10-32-UNF-1/4-U	10
<b>NPT thread</b>											
NPT1/8-27	5/32	0.118	0.413	0.413	1.732	0.335	7/16	0.409	564687	QBY-1/8-5/32-U	10
	3/16	0.118	0.453	0.453	1.791	0.335	7/16	0.402	564688	QBY-1/8-3/16-U	10
	1/4	0.177	0.512	0.512	1.878	0.335	1/2	0.649	564689	QBY-1/8-1/4-U	10
	5/16	0.236	0.571	0.571	1.941	0.335	9/16	0.684	564690	QBY-1/8-5/16-U	10
	3/8	0.197	0.693	0.693	2.071	0.335	1 1/16	0.988	564691	QBY-1/8-3/8-U	5
NPT1/4-18	5/32	0.118	0.413	0.413	1.850	0.413	9/16	0.621	564692	QBY-1/4-5/32-U	10
	3/16	0.118	0.453	0.453	1.909	0.413	9/16	0.614	564693	QBY-1/4-3/16-U	10
	1/4	0.177	0.512	0.512	1.984	0.413	9/16	0.684	564694	QBY-1/4-1/4-U	10
	5/16	0.236	0.571	0.571	2.020	0.413	9/16	1.002	564695	QBY-1/4-5/16-U	10
	3/8	0.276	0.693	0.693	2.150	0.413	1 1/16	1.284	564696	QBY-1/4-3/8-U	5
	1/2	0.276	0.827	0.827	2.539	0.413	3/4	2.046	564697	QBY-1/4-1/2-U	5
NPT3/8-18	3/16	0.118	0.453	0.453	1.949	0.453	1 1/16	0.684	564699	QBY-3/8-3/16-U	10
	1/4	0.177	0.512	0.512	2.024	0.453	1 1/16	1.108	564698	QBY-3/8-1/4-U	10
	5/16	0.236	0.571	0.571	2.059	0.453	1 1/16	1.037	564700	QBY-3/8-5/16-U	10
	3/8	0.276	0.693	0.693	2.189	0.453	1 1/16	1.355	564701	QBY-3/8-3/8-U	5
	1/2	0.276	0.827	0.827	2.579	0.453	3/4	2.399	564702	QBY-3/8-1/2-U	5
NPT1/2-14	5/16	0.236	0.571	0.571	2.177	0.571	7/8	1.743	564703	QBY-1/2-5/16-U	5
	3/8	0.276	0.693	0.693	2.307	0.571	7/8	2.060	564704	QBY-1/2-3/8-U	5
	1/2	0.276	0.827	0.827	2.697	0.571	7/8	2.751	564705	QBY-1/2-1/2-U	5

1) Packaging unit

## Datasheet

### Push-in Y-connector QBY-...T

Design:  
Y-shape



Reducing

#### Dimensions and ordering data

Pneumatic connection		Nominal size [inch]	Dimensions [inch]					Weight/ piece [oz]	Part no.	Type	PU <sup>1)</sup>
For tubing O.D. D1	For tubing O.D. D2		D5 ∅	D6 ∅	D7 ∅	H1	L1				
5/32	5/32	0.098	0.413	0.130	–	0.413	1.429	0.261	564772	QBY-5/32T-U	10
3/16	3/16	0.118	0.453	0.130	–	0.453	1.472	0.250	564773	QBY-3/16T-U	10
1/4	1/4	0.157	0.512	0.130	–	0.512	1.567	0.321	564774	QBY-1/4T-U	10
5/16	5/16	0.268	0.575	0.169	–	0.575	1.736	0.462	564775	QBY-5/16T-U	10
3/8	3/8	0.315	0.689	0.177	–	0.689	1.846	0.691	564776	QBY-3/8T-U	5
1/2	1/2	0.406	0.827	0.177	–	0.827	2.146	1.023	564777	QBY-1/2T-U	5
<b>Reducing</b>											
3/16	5/32	0.130	0.413	0.130	0.453	0.413	1.457	0.293	564818	QBY-3/16T-5/32-U	10
1/4	5/32	0.130	0.413	0.130	0.512	0.413	1.496	0.293	564819	QBY-1/4T-5/32-U	10
	3/16	0.157	0.453	0.130	0.512	0.453	1.528	0.286	564820	QBY-1/4T-3/16-U	10
5/16	5/32	0.146	0.413	0.130	0.583	0.413	1.563	0.328	564821	QBY-5/16T-5/32-U	10
	1/4	0.197	0.512	0.130	0.583	0.512	1.669	0.427	564822	QBY-5/16T-1/4-U	10
3/8	1/4	0.197	0.512	0.130	0.689	0.512	1.697	0.515	564823	QBY-3/8T-1/4-U	10
	5/16	0.276	0.575	0.169	0.689	0.575	1.764	0.586	564824	QBY-3/8T-5/16-U	10
1/2	5/16	0.252	0.583	0.130	0.827	0.575	1.890	0.649	564826	QBY-1/2T-5/16-U	5
	3/8	0.276	0.689	0.177	0.827	0.689	1.996	0.924	564825	QBY-1/2T-3/8-U	5

1) Packaging unit