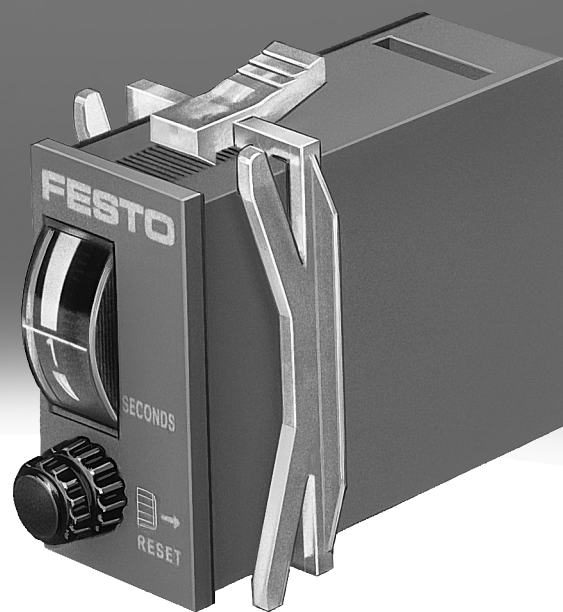


Pneumatic timer PZVT

FESTO



Characteristics

At a glance

Pneumatic timer for realising switching delays. With setting screw and visual indicator.

- Control cabinet installation
- Mechanical sequence counter with pneumatic drive
- Adjustable delay time
- Protective cap

Pneumatic timer PZVT:

The timer switches the input pressure applied to connection 1 to connection 2 after the set time delay has expired.

Pneumatic long-term timer PZVT-...-B:

The adjustable delay time is max. 16.6 minutes for the PZVT-999-SEC-B and max. 69.4 days for the PZVT-99999-MIN-B.

Automatic reset module PZVT-AUT:

The reset module is used to automatically reset timers of the types PZVT-...-SEC once the preselected time has expired and to generate an output signal of a specific length for control purposes. Pneumatic time controls with automatically repeating time intervals can therefore be achieved.

Datasheet

General technical data

Pneumatic connection	Female thread M5
Design	Mechanical sequence counter with pneumatic drive
Type of mounting	Front panel mounting
Standard nominal flow rate (standardised to DIN 1343)	50 l/min
Pause duration for reset	≥200 ms
Degree of protection	IP54 With protective cap and panel frame To IEC 60529

Operating and environmental conditions

Operating pressure	2 ... 6 bar
Operating medium	Compressed air to ISO 8573-1:2010 [7:4:4]
Note on operating and pilot medium	Lubricated operation not possible
Switch-on pressure	≥1.6 bar
Switch-off pressure	≤0.1 bar
Ambient temperature	-15 ... 60°C

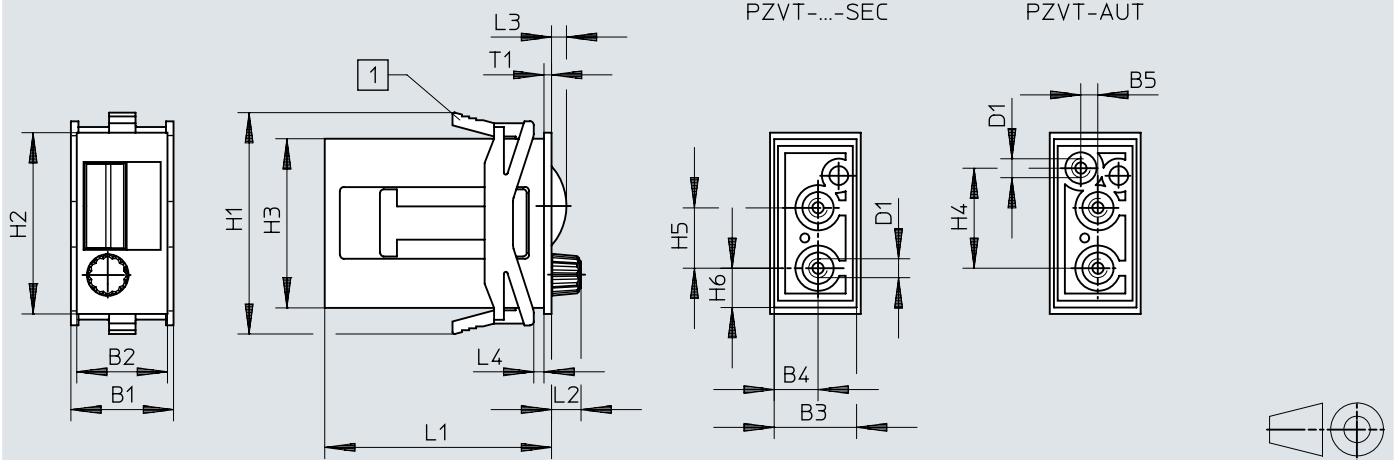
Materials

Material housing	ABS
Note on materials	RoHS-compliant
LABS (PWIS) conformity	VDMA24364-B1/B2-L

Dimensions

Dimensions – Timer PZVT

Download CAD data www.festo.com

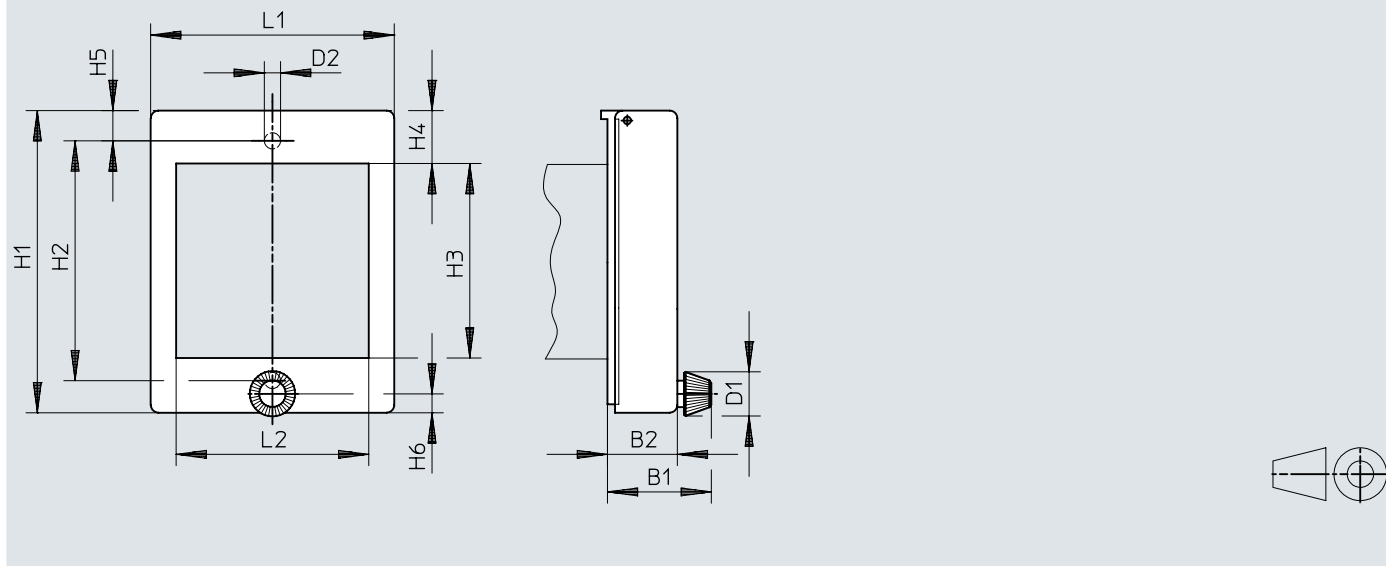


[1] Clamping frame included in the scope of delivery

	B1	B2	B3	B4	B5	D1	H1	H2	H3	H4	H5	H6	L1	L2	L3	L4 max.	T1
PVZT-...-SEC	27,2	24	21,8	11,6	4,5	M5	58,6	48	44,6	26,5	16	10,4	60	7,8	3,9	14	2,5
PVZT-AUT																	

Dimensions

Dimensions – Protective cap with rotary knob PZ-SK-2

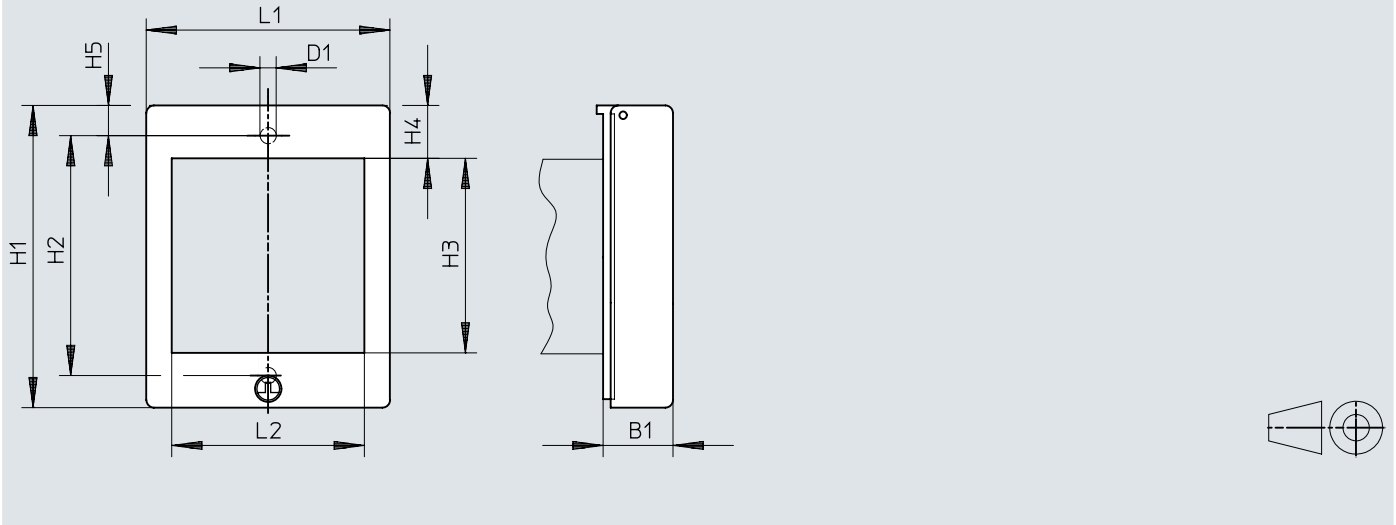
Download CAD data www.festo.com

	B1	B2	D1 ∅	D2 ∅	H1	H2	H3	H4	H5	H6	L1	L2
PZ-SK-2	27,5	18,5	12	4,3	80	63	51	14	8	5	64,5	51

Dimensions

Dimensions – Protective cap with lock PZ-SS-2

Download CAD data www.festo.com

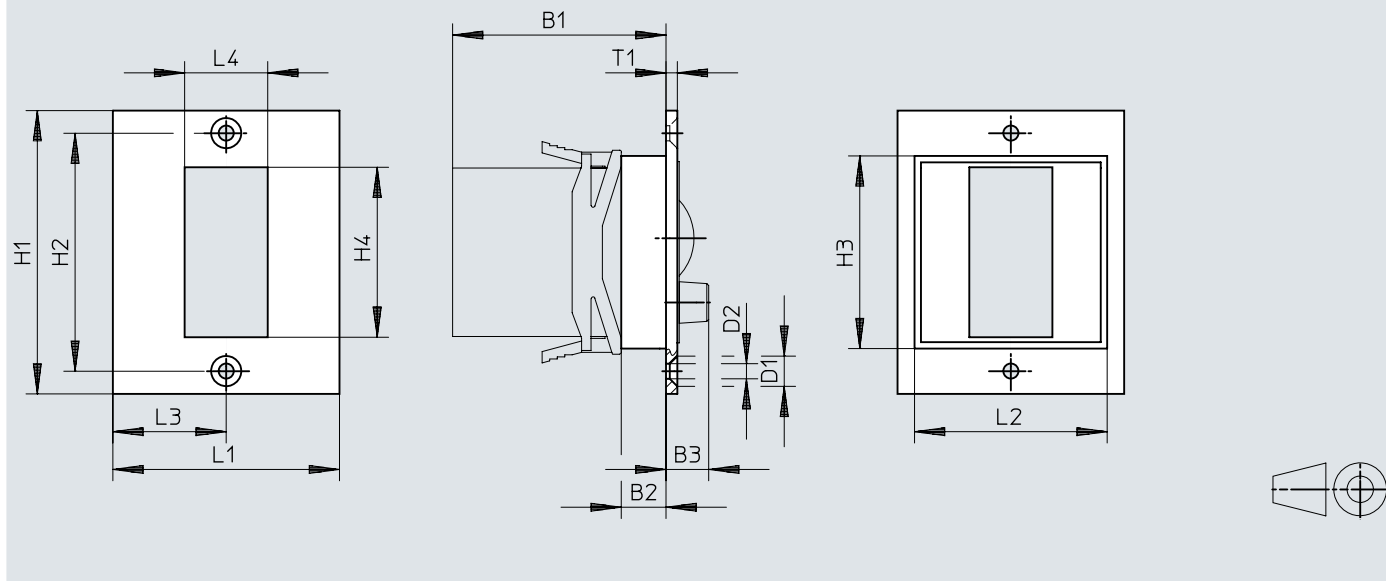


	B1	D1 ∅	H1	H2	H3	H4	H5	L1	L2
PZ-SS-2	18,5	4,3	80	63	51	14	8	64,5	51

Dimensions

Dimensions – Panel frame

Download CAD data www.festo.com

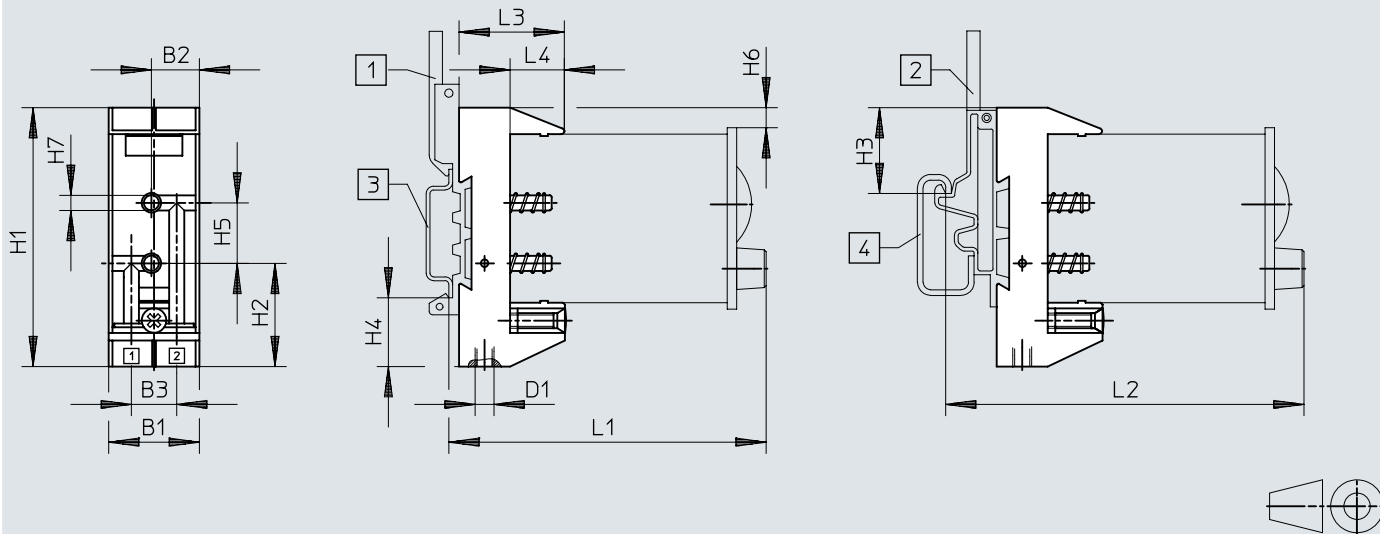


	B1	B2	B3	D1 ∅	D2 ∅	H1	H2	H3	H4	L1	L2	L3	L4	T1
PZVT-FR	56,5	12	11,3	8,2	4,3	75	63	51	45	60	51	30	22	3

Dimensions

Dimensions – Mounting base PZVT-S-DIN


Download CAD data www.festo.com

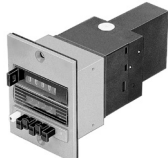


- [1] Mounting plate MPL-MUS/PZ-H
- [2] H-rail to EN 60715

	B1	B2	B3	D1	H1	H2	H3	H4	H5	H6	H7	L1	L2	L3	L4
PZVT-S-DIN	24	12,7	12	M5	68,5	27,3	~20	20	16	5,3	4	~84	~94	28	14,5

Ordering data


Ordering data – Timer						
	Adjustable delay time	Repetition accuracy of time setting	Adjustment accuracy	Product weight	Part no.	Type
	0.2 ... 3 s	± 0.1 s	± 0.3 s	45 g	158495	PZVT-3-SEC
	2 ... 30 s	± 0.3 s	± 0.6 s		150238	PZVT-30-SEC
	8 ... 120 s	± 1.2 s	± 3 s		177616	PZVT-120-SEC
	20 ... 300 s	± 3 s	± 6 s		150239	PZVT-300-SEC

Ordering data – Long-term timer			
	Short type code ¹⁾	Part no.	Type
	PZVT	13988	PZVT-999-SEC-B
		13989	PZVT-99999-MIN-B

1) Adjustable delay time:

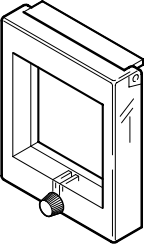
PZVT-999-SEC-B: max. 16.6 min

PZVT-99999-MIN-B: max. 69.4 days

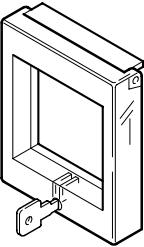
Ordering data – Reset module					
	Adjustable delay time	Repetition accuracy of time setting	Product weight	Part no.	Type
	0.2 ... 2 s	± 0.3 s	50 g	158496	PZVT-AUT

Accessories

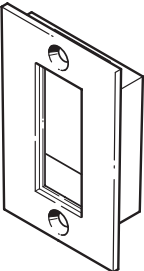
Cover cap with rotary knob PZ-SK-2

	Short type code	LABS (PWIS) conformity	Part no.	Type
	PZ	VDMA24364-B1/B2-L	14663	PZ-SK-2

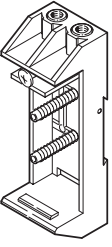
Cover cap with lock PZ-SS-2

	Short type code	LABS (PWIS) conformity	Part no.	Type
	PZ	VDMA24364-B1/B2-L	13966	PZ-SS-2

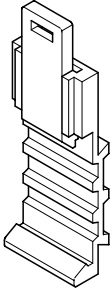
Panel frame PZVT-FR

	Short type code	LABS (PWIS) conformity	Part no.	Type
	PZVT-FR	VDMA24364-B1/B2-L	150241	PZVT-FR

Mounting base PZVT-S-DIN

	Short type code	LABS (PWIS) conformity	Part no.	Type
	PZVT-S	VDMA24364-B1/B2-L	150240	PZVT-S-DIN

Accessories

Mounting plate MPL-MUS/PZ-H				
	Short type code	LABS (PWIS) conformity	Part no.	Type
	MPL	VDMA24364-B1/B2-L	19135	MPL-MUS/PZ-H