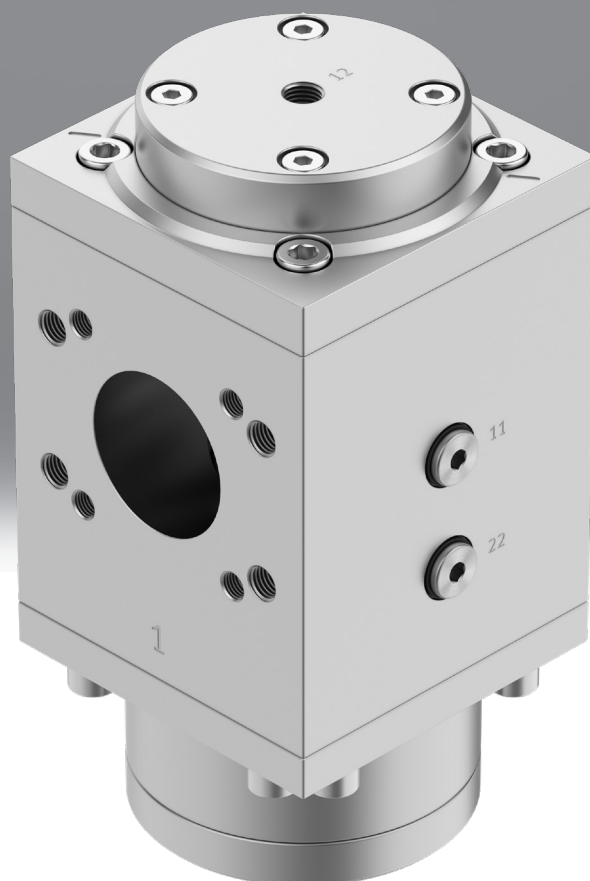


## On/off valve PVEL

**FESTO**



## Characteristics

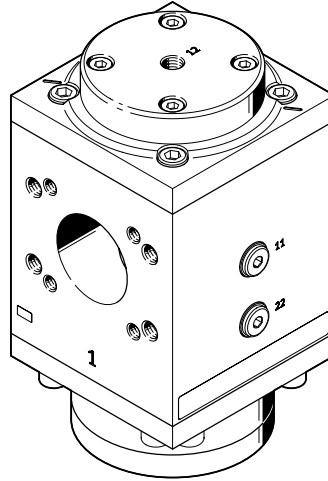
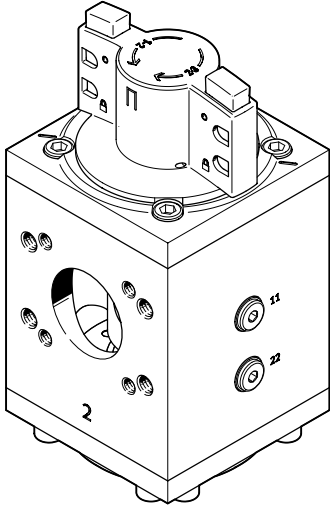
### At a glance

- For high-pressure applications
- Available in two versions: manually or pneumatically operated

### Type of actuation

[H] Manually actuated

[P] Pneumatically actuated



## Type code

001	Series
PVEL	On/off valve, L series

002	Type of actuation
H	Manually actuated
P	Pneumatically actuated

003	Size [mm]
124	124

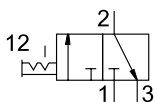
004	Pressure application range
HP3	Up to 50 bar
HP7	Up to 42 bar

## Datasheet

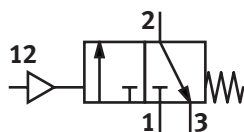
### General technical data

Type of actuation	Manual	Pneumatic
Nominal size DN	54	
Pneumatic connection, port 3	G1/2	
Pilot air port 12	–	G1/4
Design	Piston gate valve	
Mounting position	optional	
Actuator lock	Rotary knob with detent, can be closed with accessories	–
Valve function	3/2 double solenoid	3/2-way, closed, monostable
Exhaust-air function	Without flow control option	
Type of reset	Forced	Mechanical spring
Type of piloting	Direct	
Pilot air supply	–	External
Sealing principle	Soft	

### Function PVEL-H (manually actuated)



### Function PVEL-P (pneumatically actuated)



### Operating and environmental conditions

Type of actuation	Manual	Pneumatic
Operating pressure	0 ... 5 MPa	0 ... 4.2 MPa
Operating pressure	0 ... 50 bar	0 ... 42 bar
Operating pressure	0 ... 725 psi	0 ... 609 psi
Pilot pressure	–	0.9 ... 4.2 MPa
Pilot pressure	–	9 ... 42 bar
Pilot pressure	–	130.5 ... 609 psi
Operating medium	Compressed air to ISO 8573-1:2010 [7:4:4], Inert gases	
Note on operating and pilot medium	Lubricated operation possible (in which case lubricated operation will always be required)	
Ambient temperature	5 ... 50°C	
Media temperature	5 ... 50°C	
Corrosion resistance class CRC <sup>1)</sup>	2 - Moderate corrosion stress	
CE mark (see declaration of conformity) <sup>2)</sup>	In accordance with EU Pressure Equipment Directive	
CE marking (see declaration of conformity) <sup>3)</sup>	to UK Pressure Equipment Regulations	
Suitable for use with food <sup>4)</sup>	See supplementary material information	

1) More information [www.festo.com/x/topic/crc](http://www.festo.com/x/topic/crc)

2) More information [www.festo.com/catalogue/pvel](http://www.festo.com/catalogue/pvel) → Support/Downloads.

3) More information [www.festo.com/catalogue/pvel](http://www.festo.com/catalogue/pvel) → Support/Downloads.

4) More information [www.festo.com/catalogue/pvel](http://www.festo.com/catalogue/pvel) → Support/Downloads.

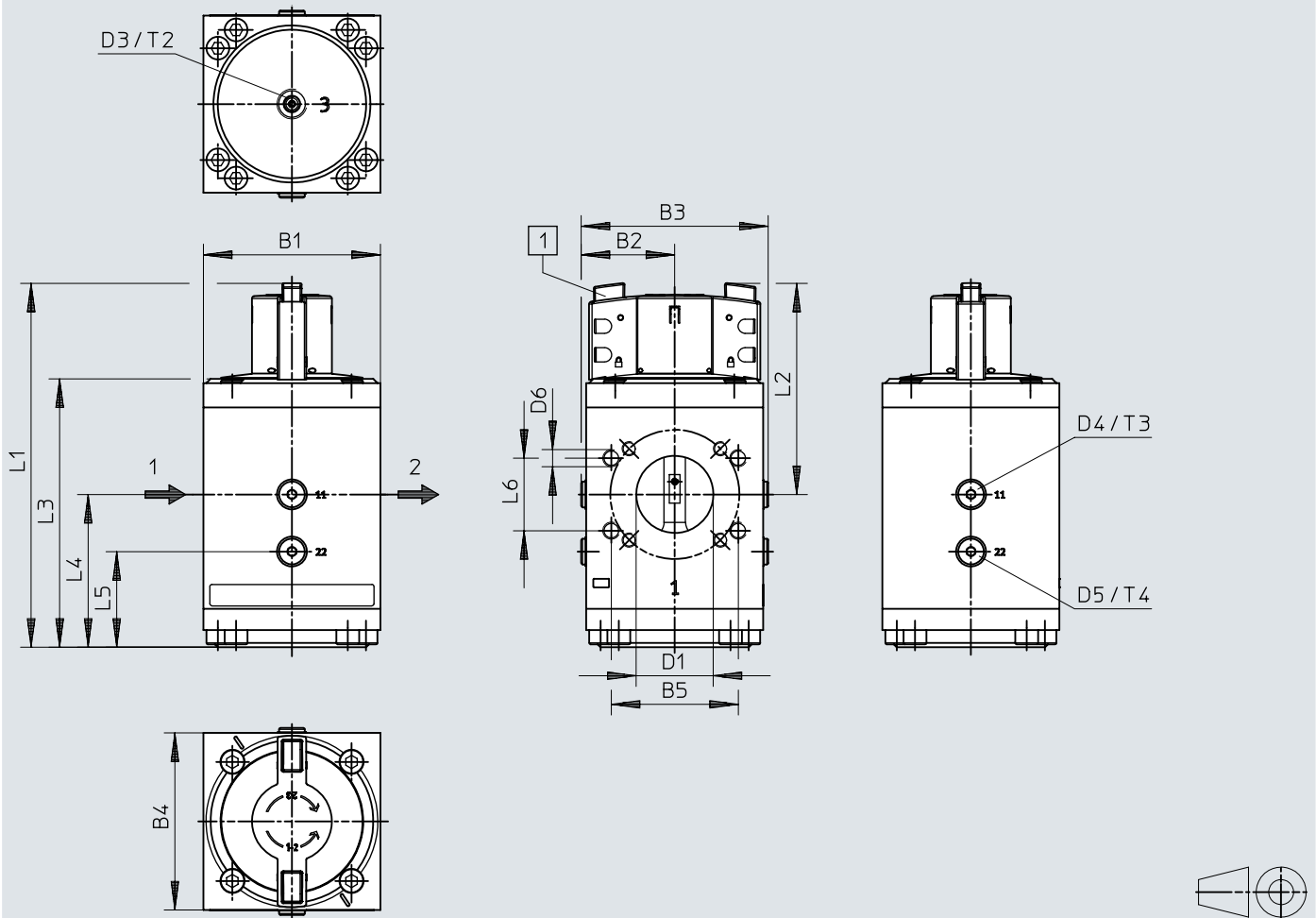
## Datasheet

Materials	
Material housing	Wrought aluminium alloy
Material piston slide	Wrought aluminium alloy
Material seals	NBR, PE
Note on materials	RoHS-compliant
LABS (PWIS) conformity	VDMA24364 zone III

## Dimensions

Dimensions – Size 124. manual

Download CAD data → [www.festo.com](http://www.festo.com)



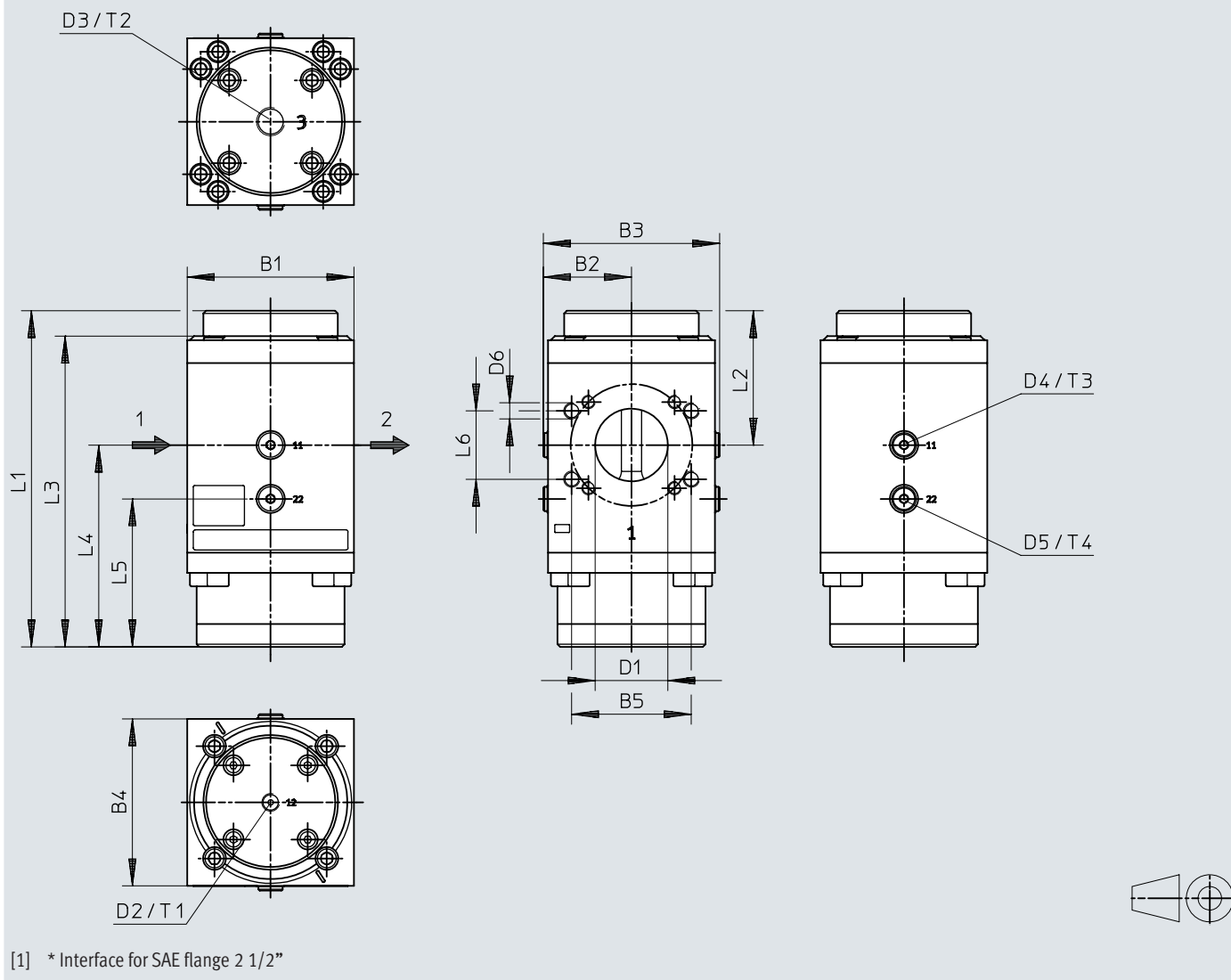
- [1] In the switching position “Exhaust 3 a 2”, 1 to 4 padlocks can be attached as an actuator lock. To do this, press the button(s) down and hook in the padlock(s).  
 [2] \* Interface for SAE flange 2 1/2”

	B1	B2	B3	B4	B5	D1 ∅	D3	D4	D5	D6
PVEL-H	124	65,5	131	124	88,9	54	G1/2	G1/4	G1/4	M12x18
	L1	L2	L3	L4	L5	L6	T2	T3	T4	
PVEL-H	~255	148	188	107	67	50,8	14	12	12	

## Dimensions

Dimensions – Size 124, pneumatic

Download CAD data → [www.festo.com](http://www.festo.com)



	B1	B2	B3	B4	B5	D1	D2	D3	D4	D5	D6
PVEL-P-124-HP3	124	65,5	131	124	88,9	54 ∅	G1/4	G1/2	G1/4	G1/4	M12x18

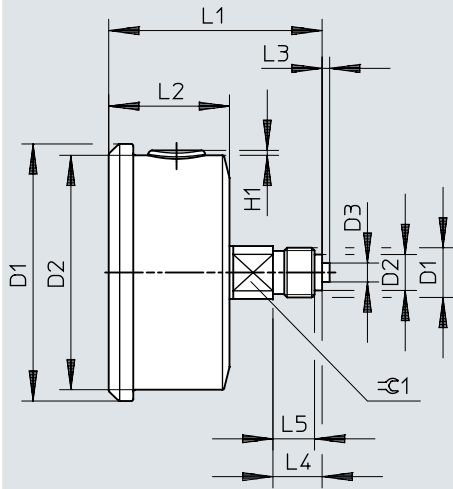
  

	L1	L2	L3	L4	L5	L6	T1	T2	T3	T4
PVEL-P-124-HP3	~239	100	220	139	99	50,8	12	17	12	12

## Dimensions

Dimensions – Pressure gauge PAGL

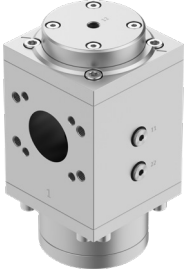
Download CAD data → [www.festo.com](http://www.festo.com)



	D1	D2	D3	L1	L2	☉ 1
	∅	∅		±0,5	±0,5	
PAGL-HP3-63-60-G14	68	62	G1/4	56	32	14

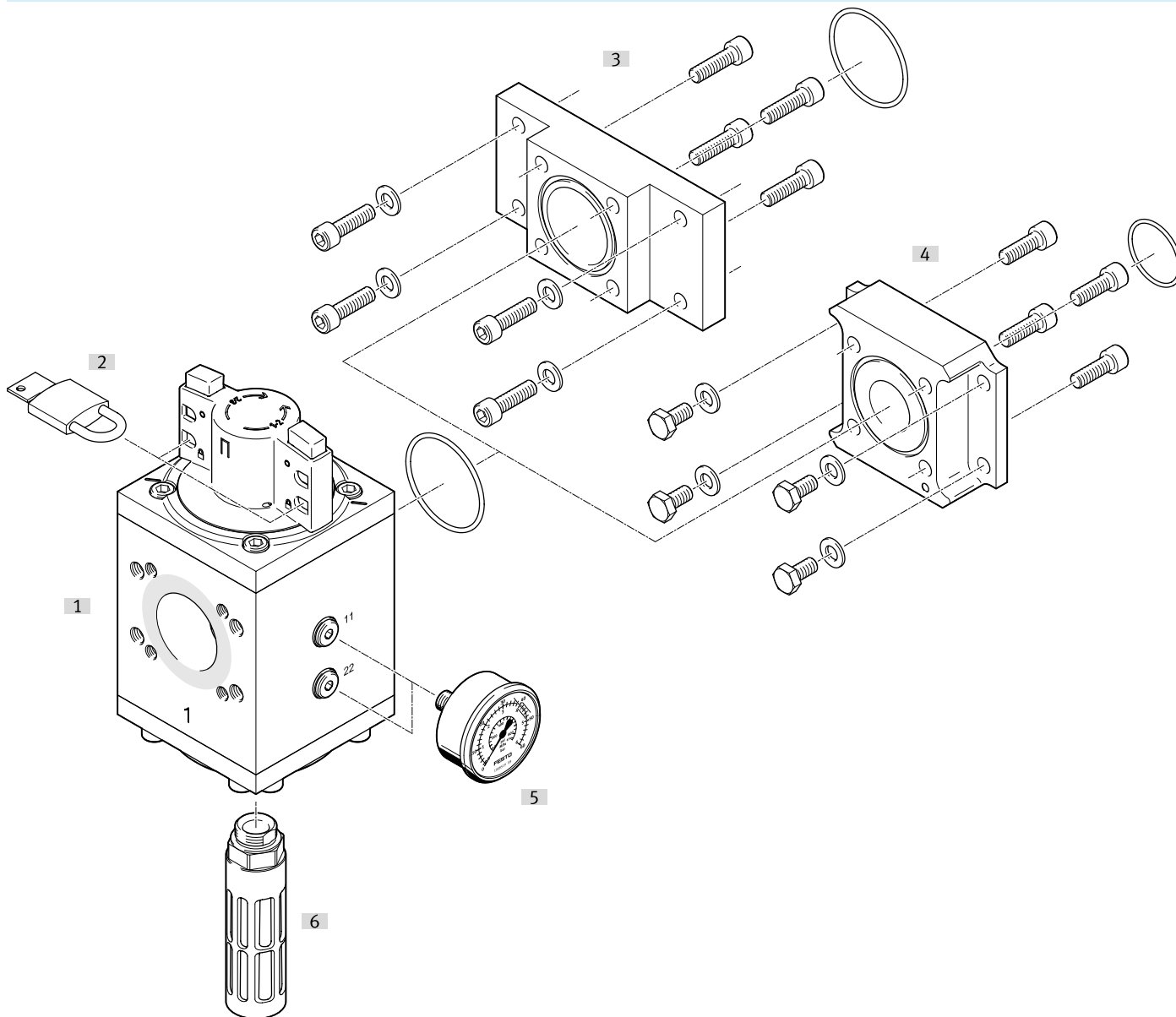


## Ordering data

Ordering data					
	Type of actuation	Valve function	Product weight	Part no.	Type
	Manual	3/2 double solenoid	5,900 g	<b>1629207</b>	<b>PVEL-H-124-HP3</b>
	Pneumatic	3/2-way, closed, monostable	7,250 g	<b>1629205</b>	<b>PVEL-P-124-HP7</b>

## Peripherals

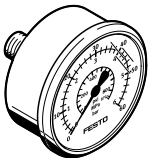
Size: 124



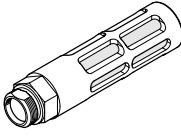
Accessories		→ Page/Internet
Type/order code	Description	
[1]	On/off valve PVEL	pvel
[2]	Padlock LVRS-D	11
[3]	Connecting plate SET PAML-CP-186-HP3-E1	For alternative connection at the top of the micro filter PFML-186 auf Anfrage
[4]	Connecting plate module PAML-CP-90-HP3-E1	For alternative connection at the top of the micro filter PFML-90 auf Anfrage
[5]	Pressure gauge PAGL	11
[6]	Silencer U-1/2-B	11

## Accessories

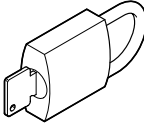
## Pressure gauge PAGL

	Nominal size of pressure gauge	Pneumatic connection	Position of connection	Product weight	Part no.	Type
	63	G1/4	Radial underneath	80 g	<b>1908519</b>	<b>PAGL-HP3-63-60-G14-RC</b>
			Centred, rear side		<b>1166938</b>	<b>PAGL-HP3-63-60-G14</b>

## Silencer U

	Description	Pneumatic connection	Sound pressure level	Product weight	Part no.	Type
	for PREL-186	G1/2	81 dB(A)	75 g	<b>6844</b>	<b>U-1/2-B</b>

## Padlock LRVS-D

	Short type code	Product weight	Part no.	Type
	LRVS-D	120 g	<b>193786</b>	<b>LRVS-D</b>