

Piston rod attachments



Festo Core Range
Solves the majority of your automation tasks

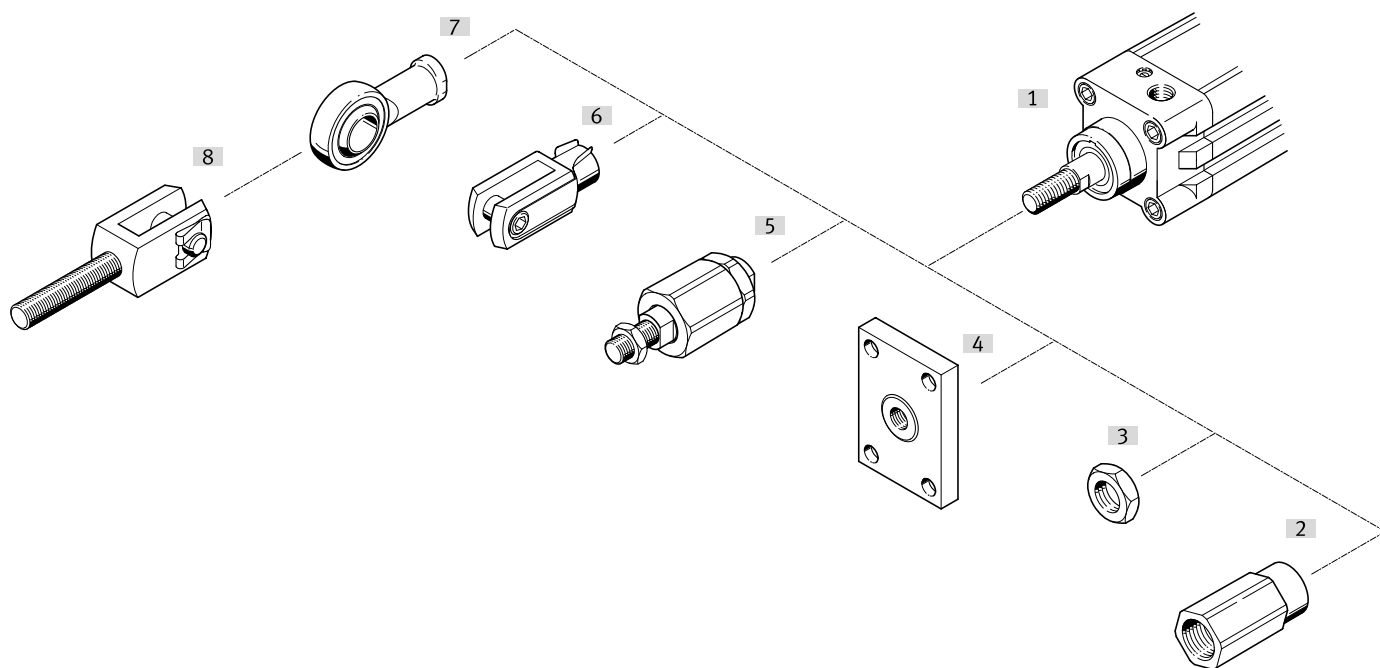
With the Festo Core Range, we have selected the most important products and functions from our broad product catalogue, and added the quickest delivery.

Worldwide: Quickest delivery – wherever, whenever
Simply good: Expected high Festo quality
Fast: Easy and fast to select

The Core Range offers you the best value for your automation tasks.

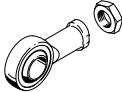
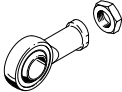
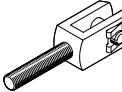
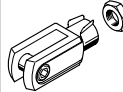
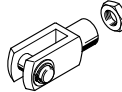


Peripherals overview

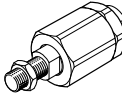
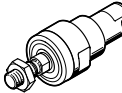
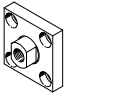
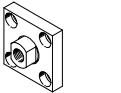
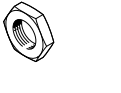
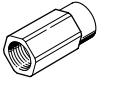


Mounting attachments and accessories		Description
[1]	Cylinders with piston rod	The piston rod attachments are mounted on the piston rod of the cylinder.
[2]	Adapter AD	Specially for through, hollow piston rods, e.g. for connecting suction cups.
[3]	Hex nut MSK	Based on and/or corresponds to ISO 8675.
[4]	Coupling piece KSG	The coupling pieces connect the piston rod end of all cylinder types to the machine parts to be moved. They compensate for radial misalignments up to ± 1 mm.
	Coupling piece KSZ	For cylinders with non-rotating piston rods. This coupling piece ensures the cylinder has a stable connection to the component being moved in order to compensate for radial deviation.
[5]	Self-aligning rod coupler FK	The rod couplers connect the piston rod end of all cylinder types to the machine parts to be moved. This compensates for radial and angular deviations (misalignment).
	Self-aligning rod coupler CRFK	Corrosion and acid-resistant design.
[6]	Rod clevis SG	This rod clevis is fitted to the threaded front end of the piston rod and permits a swivelling movement of the cylinder in one plane. Corresponds to ISO 8140 or DIN 71752.
	Rod clevis CRSG	Corrosion and acid-resistant design. Corresponds to ISO 8140 or DIN 71752.
[7]	Rod eye SGS	The swivel bearing of the rod eyes are maintenance free. Correspond to ISO 12240-4 dimensional series K.
	Rod eye CRSGS	Corrosion and acid-resistant design. Correspond to ISO 12240-4 dimensional series K.
[8]	Rod clevis SGA	Rod clevises are used in combination with the rod eye SGS for spherical connection of cylinders.

Product range overview

Piston rod attachments		Rod eye		Rod clevis		
Piston rod thread		SGS-...	CRSGS-...	SGA-... ¹⁾	SG-...	CRSG-...
Outside	Inside					
M4		■	-	-	■	-
M6		■	■	-	■	■
M8		■	■	-	■	■
M10		■	-	-	■	-
M10x1.25		■	■	■	■	■
M12		■	-	■	■	-
M12x1.25		■	■	■	■	■
M16		■	-	■	■	-
M16x1.5		■	■	■	■	■
M20x1.5		■	■	■	■	■
M27x2		■	■	■	■	■
M36x2		■	-	-	■	-
M42x2		■	-	-	■	-
M48x2		■	-	-	■	-
→ Page/Internet		4	6	7	8	10

1) Only to be attached to the piston rod in conjunction with rod eye SGS

Piston rod attachments		Self-aligning rod coupler		Coupling piece		Hex nut	Adapter
Piston rod thread		FK-...	CRFK-...	KSG-...	KSZ-...	MSK-...	AD-...
Outside	Inside						
M4		■	-	-	-	-	-
M6		■	-	-	■	-	■
M8		■	-	-	■	-	■
M10		■	-	-	-	-	-
M10x1.25		■	■	■	■	■	■
M12		■	-	-	-	-	-
M12x1.25		■	■	■	■	■	■
M16		■	-	-	-	-	-
M16x1.5		■	■	■	■	■	-
M20x1.5		■	■	■	■	-	-
M27x2		■	-	■	-	-	-
M36x2		■	-	-	-	-	-
M42x2		-	-	-	-	-	-
M48x2		-	-	-	-	-	-
	M4	■	-	-	-	-	-
	M5	■	-	-	-	-	-
	M6	■	-	-	-	-	-
	M8	■	-	-	-	-	-
	M10	■	-	-	-	-	-
	M12	■	-	-	-	-	-
	M16	■	-	-	-	-	-
→ Page/Internet		11	12	14	15	16	17

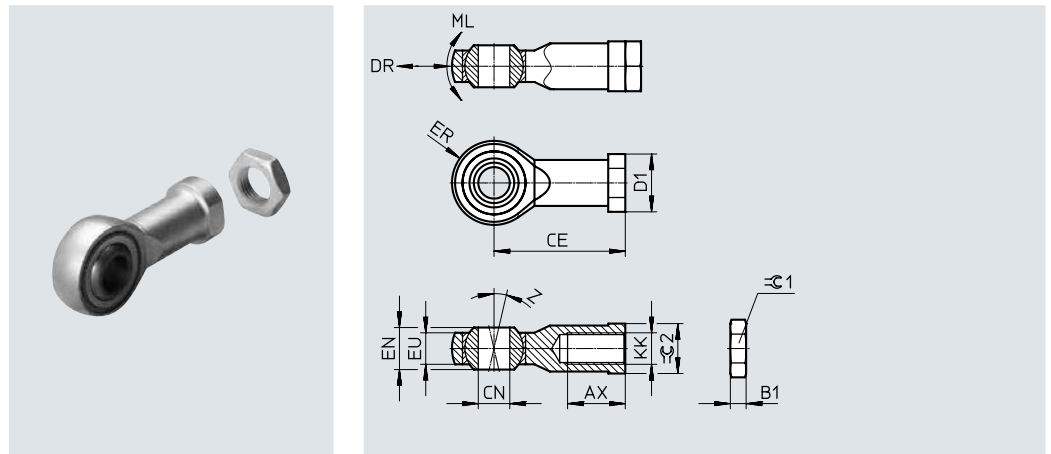
Datasheet

Rod eye SGS

Scope of delivery:
1 rod eye, 1 hex nut to DIN 439

Material:
Galvanised steel

RoHS-compliant
LABS (PWIS) conformity:
VDMA24364-B2-L



Dimensions and ordering data

KK	AX	B1	CE	CN ∅ H7	D1 ∅	DR ¹⁾ max. [μm]	ER ±0.5	EN	EU
M4	10 -2	2.2	27±1.2	5	12	34	9	8	6
M6	12 -2	3.2	30±1.2	6	14	34	10	9	6.8
M8	16 -2	4	36±1.2	8	17	40	12	12	9
M10	20 -2	5	43±1.2	10	20	40	14	14	10.5
M10x1.25									
M12	22 -2	6	50±1.2	12	23	45	16	16	12
M12x1.25									
M16	28 -2	8	64±1.2	16	29	45	21	21	15
M16x1.5									
M20x1.5	33 -2	10	77±1.7	20	37	55	25	25	18
M27x2	51 -2	13.5	110±1.7	30	52	55	35	37	25
M36x2	56 +2	18	125±2.1	35	60	60	40	43	28
M42x2	60 +2	21	142±2.1	40	69	60	45	49	33
M48x2	65 +2	24	160±2.1	50	78	60	58	60	45

1) Max. play DR up to max. friction torque ML possible.

Datasheet

KK	ML ²⁾ max. [Nm]	Z [°]	⊖1	⊖2	ISO 12240-4 Dimensional series K	CRC ³⁾	Weight [g]	Part no.	Type
M4	0.1	13	7	9	–	1	21	9253	SGS-M4
M6	0.13	13	10	11	■	1	29	★ 9254	SGS-M6
M8	0.18	13	13	14	■	1	53	★ 9255	SGS-M8
M10	0.23	13	17	17	■	1	88	9256	SGS-M10
M10x1.25					–	1	87	★ 9261	SGS-M10x1.25
M12	0.28	13	19	19	■	1	131	9257	SGS-M12
M12x1.25					–	1	129	★ 9262	SGS-M12x1.25
M16	0.4	15	24	22	■	1	263	9258	SGS-M16
M16x1.5					–	1	259	★ 9263	SGS-M16x1.5
M20x1.5	0.55	15	30	30	■	1	464	★ 9264	SGS-M20x1.5
M27x2	0.85	15	41	41	–	1	1333	10774	SGS-M27x2
M36x2	1	15	55	50	■	1	2084	10775	SGS-M36x2
M42x2	1.2	15	65	55	■	1	3132	10776	SGS-M42x2
M48x2	1.5	12	75	65	■	1	5498	10777	SGS-M48x2

2) Max. friction torque ML up to max. play DR possible.

3) In the area of the ball: CRC 0

More information www.festo.com/x/topic/crc

Festo Core Range



Generally ready for shipping ex works in 24 hours

Generally ready for shipping ex works in 5 days

Datasheet

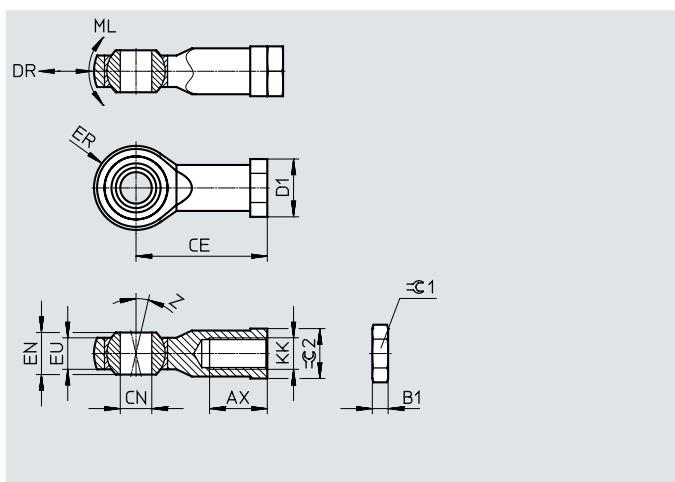
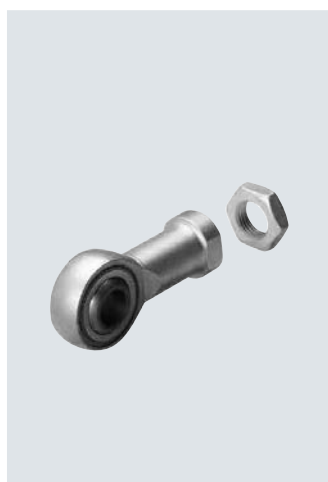
Rod eye CRSGS

Scope of delivery:
1 rod eye, 1 hex nut to DIN 439

Material:
High-alloy steel

RoHS-compliant
LABS (PWIS) conformity:
VDMA24364-B2-L

Recommended for production systems
for manufacturing lithium-ion batteries.



Dimensions and ordering data

KK	AV	B1	CE	CN ∅ H7	D1 ∅	DR ¹⁾ max. [μm]	EF ±0.5	EN	EU
	-2								
M6	12	3.2	30±1.2	6	13	34	10	9	6.8
M8	16	4	36±1.2	8	16	40	12	12	9
M10x1.25	20	5	43±1.2	10	19	40	14	14	10.5
M12x1.25	22	6	50±1.2	12	22	45	16	16	12
M16x1.5	28	8	64±1.2	16	27	45	21	21	15
M20x1.5	33	10	77±1.7	20	34	55	25	25	18
M27x2	51	13.5	110±1.7	30	50	55	35	37	25

KK	ML ²⁾ max. [Nm]	Z [°]	≈C1	≈C2	ISO 12240-4 Dimensional series K	CRC ³⁾	Weight [g]	Battery man- ufacturing ⁴⁾	Part no.	Type
M6	0.18	13	10	11	■	3	29	F5a	195580	CRSGS-M6
M8	0.23	13	13	14	■	3	53	F5a	195581	CRSGS-M8
M10x1.25	0.23	13	17	17	-	3	87	F5a	195582	CRSGS-M10x1.25
M12x1.25	0.28	13	19	19	-	3	129	F5a	195583	CRSGS-M12x1.25
M16x1.5	0.4	15	24	22	-	3	259	F5a	195584	CRSGS-M16x1.5
M20x1.5	0.55	15	30	30	■	3	464	F5a	195585	CRSGS-M20x1.5
M27x2	0.85	15	41	41	-	3	1333	F5a	195586	CRSGS-M27x2

1) Max. play DR up to max. friction torque ML possible.

2) Max. friction torque ML up to max. play DR possible.

3) In the area of the ball: CRC 1

More information www.festo.com/x/topic/crc

4) F5a: Metals with more than 5% by mass of copper, zinc or nickel are excluded from use. Exceptions are nickel in steel, chemically nickel-plated surfaces, printed circuit boards, cables, electrical plug connectors and coils.

More information: www.festo.com/x/topic/bat

Datasheet

Rod clevis SGA

Scope of delivery:

 1 rod clevis, 1 pivot pin,
 1 retaining clip

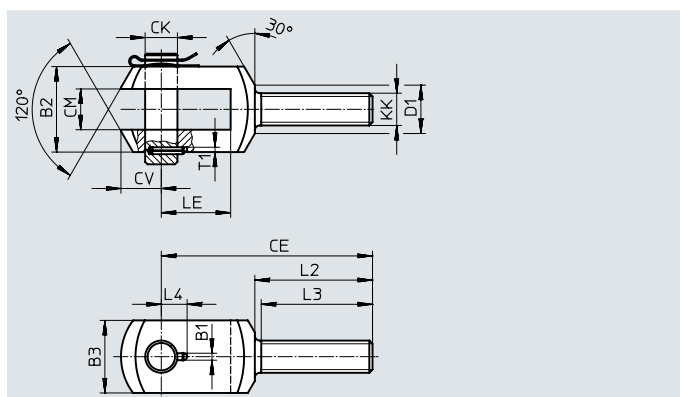
Material:

Galvanised steel

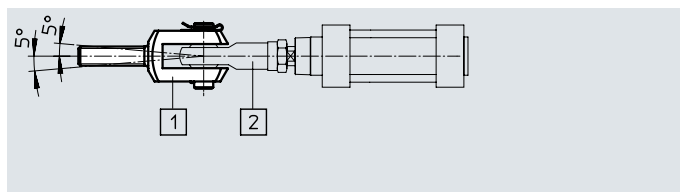
RoHS-compliant

LABS (PWIS) conformity:

VDMA24364-B2-L



The rod clevis SGA [1] is used in combination with the rod eye SGS [2] (→ page 4) for spherical connection of cylinders.



Dimensions and ordering data

KK	B1	B2	B3	CE	CK ∅ F7/h9	CM B12	CV	D1 ∅
M10x1.25	3.3	28	20	78	10	14	12	18
M12	4.3	30	25	92	12	16	16	19
M12x1.25								
M16	4.3	40	35	108	16	21	21	24
M16x1.5								
M20x1.5	4.3	50	40	131	20	25	25	30
M27x2	6.3	67	60	168	30	37	32	38
M36x2	6.3	78	70	211	35	43	39	48

KK	L2	L3	L4	LE	T1	CRC ¹⁾	Weight [g]	Part no.	Type
M10x1.25	53	50	11	20	3	1	129	32954	SGA-M10x1.25
M12	58	55	12	26	3	1	222	6523	SGA-M12
M12x1.25						1	222	10767	SGA-M12x1.25
M16	65	62	14	31	3	1	512	6524	SGA-M16
M16x1.5						1	512	10768	SGA-M16x1.5
M20x1.5	73	69	16	43	3	1	954	10769	SGA-M20x1.5
M27x2	98	92	24	54	5	1	2189	10770	SGA-M27x2
M36x2	121	115	26.5	72	5	1	3938	10771	SGA-M36x2

 1) More information: www.festo.com/x/topic/crc

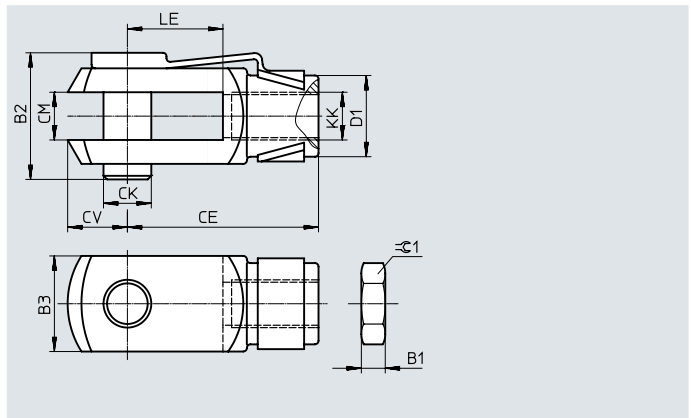
Datasheet

Rod clevis SG

Scope of delivery:
1 rod clevis, 1 clevis pin, 1 hex nut
(M4: DIN 934,
M6 ... M16: DIN 439)

Material:
Galvanised steel

RoHS-compliant
LABS (PWIS) conformity:
VDMA24364-B2-L



Dimensions and ordering data

KK	B1	B2	B3	CE	CK ∅	CM	CV	D1 ∅
M4	3.2	11.1	8	16±0.3	4h11	4B13	5	8
M6	3.2	16.2	12	24±0.3	6h11	6B13	7	10
M8	4	21.6	16	32±0.4	8h11	8B13	10	14
M10	5	26	20	40±0.4	10h11	10B13	12	18
M10x1.25								
M12	6	31.1	24	48±0.4	12h11	12+0.7/+0.15	14	20
M12x1.25								
M16	8	39.5	32	64±0.4	16h11	16+0.7/+0.15	19	26
M16x1.5								

KK	LE ±0.5	≈±1	ISO 8140	DIN 71752	CRC ¹⁾	Weight [g]	Part no.	Type
M4	8	7	—	■	1	10	6532	SG-M4
M6	12	10	■	■	1	22	★ 3110	SG-M6
M8	16	13	■	■	1	53	★ 3111	SG-M8
M10	20	17	—	■	1	104	2674	SG-M10
M10x1.25		17	■	■	1	103	★ 6144	SG-M10x1.25
M12	24	19	—	■	1	168	2675	SG-M12
M12x1.25		19	■	■	1	166	★ 6145	SG-M12x1.25
M16	32	24	—	■	1	376	2676	SG-M16
M16x1.5			■	■	1	375	★ 6146	SG-M16x1.5

1) More information: www.festo.com/x/topic/crc

Datasheet

Rod clevis SG

Scope of delivery:

1 rod clevis, 1 bolt,
1 retaining ring, 1 hex nut (DIN 439)

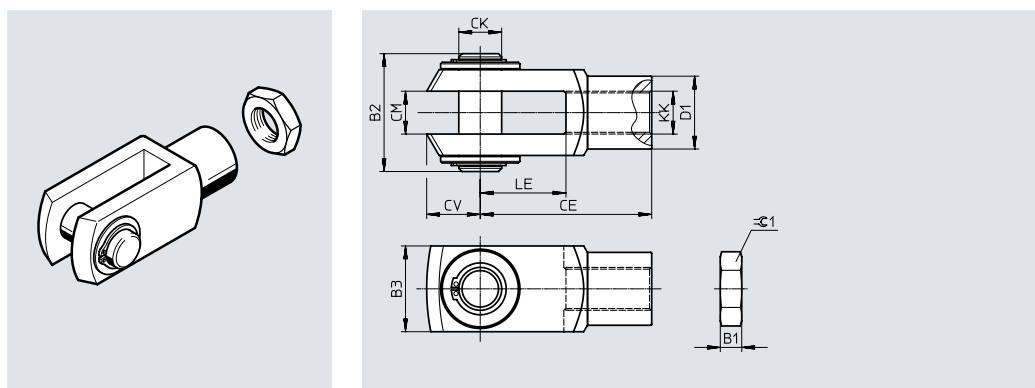
Material:

Galvanised steel

RoHS-compliant

LABS (PWIS) conformity:

VDMA24364-B2-L



Dimensions and ordering data

KK	B1	B2	B3	CE	CK ∅	CM	CV	D1 ∅
M20x1.5	10	55	40	80±0.4	20e8	20+0.7/+0.15	25	34
M27x2	13.5	73	55	110±0.4	30e8	30+0.7/+0.15	38	48
M36x2	18	93	70	144±0.4	35e8	35+0.7/+0.15	44	60
M42x2	21	111	85	168±0.4	40e8	40+0.7/+0.15	64	70
M48x2	24	121.5	90	192±0.4	50e8	50+0.7/+0.15	73	80

KK	LE ±0.5	≈C1	ISO 8140	CRC ¹⁾	Weight [g]	Part no.	Type
M20x1.5	40	30	■	1	793	★ 6147	SG-M20x1.5
M27x2	54	41	■	1	2135	14987	SG-M27x2-B
M36x2	72	55	■	1	4320	9581	SG-M36x2
M42x2	84	65	■	1	7520	9582	SG-M42x2
M48x2	96	75	■	1	10029	9583	SG-M48x2

1) More information: www.festo.com/x/topic/crc



Datasheet

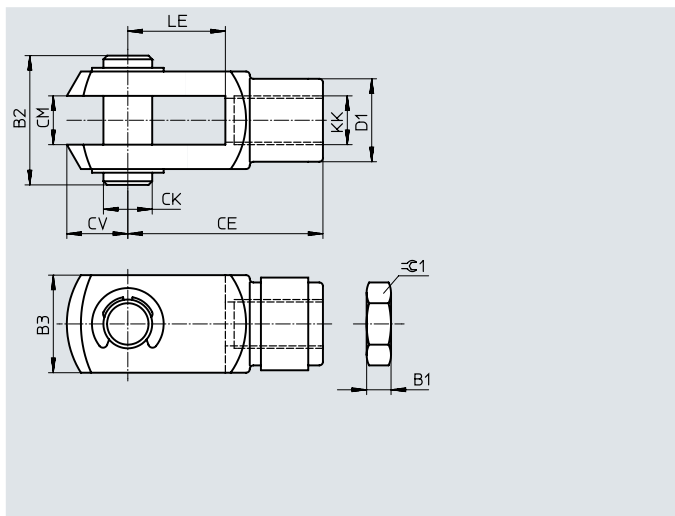
Rod clevis CRSG

Scope of delivery:
1 rod clevis, 1 pivot pin, 1 hex nut to
DIN 439

Material:
High-alloy steel

RoHS-compliant
LABS (PWIS) conformity:
VDMA24364-B2-L

Recommended for production systems
for manufacturing lithium-ion batter-
ies.



Dimensions and ordering data								
KK	B1	B2	B3	CE	CK ∅	CM	CV	D1 ∅
M4	2.2	11.5	8	16±0.3	4 h11	4 B13	5	8
M6	3.2	19	12	24±0.3	6 e8	6 B13	7	10
M8	4	24	16	32±0.4	8 e8	8 B13	10	14
M10x1.25	5	27	20	40±0.4	10 e8	10 B13	12	18
M12x1.25	6	33	24	48±0.4	12 e8	12	14	20
M16x1.5	8	43	32	64±0.4	16 e8	16	19	26
M20x1.5	10	53	40	80±0.4	20 e8	20	25	34
M27x2	13.5	70	55	110±0.4	30 e8	30	38	48

KK	LE ±0.5	≈G1	ISO 8140	DIN 71752	CRC ¹⁾	Weight [g]	Battery produc- tion ²⁾	Part no.	Type
M4	8	7	■	■	1	8	F5a	8165295	CRSG-M4
M6	12	10	■	■	4	25	F5a	13567	CRSG-M6
M8	16	13	■	■	4	55	F5a	13568	CRSG-M8
M10x1.25	20	17	■	■	4	110	F5a	13569	CRSG-M10x1.25
M12x1.25	24	19	■	■	4	180	F5a	13570	CRSG-M12x1.25
M16x1.5	32	24	■	■	4	395	F5a	13571	CRSG-M16x1.5
M20x1.5	40	30	■	—	4	800	F5a	13572	CRSG-M20x1.5
M27x2	54	41	■	—	4	1900	F5a	185361	CRSG-M27x2

1) More information: www.festo.com/x/topic/crc

2) F5a: Metals with more than 5% by mass of copper, zinc or nickel are excluded from use. Exceptions are nickel in steel, chemically nickel-plated surfaces, printed circuit boards, cables, electrical plug connectors and coils.
More information: www.festo.com/x/topic/bat

Datasheet

Self-aligning rod coupler FK

Scope of delivery:

1 self-aligning rod coupler, 1 hex nut to DIN 439

Material:

Housing, bushing: Steel

Nut: Galvanised

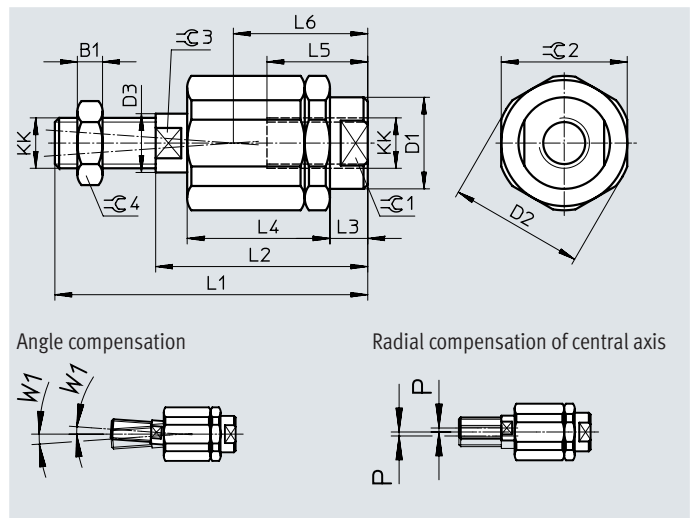
Spherical washer, ball pin:

Case-hardened steel

RoHS-compliant

LABS (PWIS) conformity:

VDMA24364-B2-L



Dimensions and ordering data

KK	B1	D1 ∅	D2 ∅	D3 ∅	L1	L2	L3	L4	L5	L6	W1 [°]	≅C1	≅C2
M4	2.2	–	–	3.8	33	24	4.5	16.5	12.5	16	4	11	11
M5	2.7	8.5	14.5	5.8	38.5	25	4.4	17.5	11.5	15.7	4	7	13
M6	3.2	8.5	14.5	5.8	37	25	4.4	17.5	11.5	15.7	4	7	13
M8	4	12.5	19	7.8	49	34	6	23.5	14	20.5	4	10	17
M10	5	21.4	32.5	13.8	67.5	49.5	9	34	23	31	4	19	30
M10x1.25					69.5						4		
M12	6	21.4	32.5	13.8	70.5	49.5	9	34	23	31	4	19	30
M12x1.25					74.5						50.5		
M16	8	33.8	45	22	97	71	10	53	32	44.5	4	30	41
M16x1.5					103						4		
M20x1.5	10	33.8	45	22	120	80	19	53	41	53.5	4	30	41
M27x2	13.5	62	62	28	157	103	12.2	79	42	62.5	4	55	55
M36x2	18	80	80	38	251	179	22	136	78	110	4	75	75

KK	≅C3	≅C4	Max. permissible tensile and compressive load [N]	Axial play [mm]	Radial compensation P [mm]	CRC ¹⁾	Weight [g]	Part no.	Type
M4	3.2	7	750	0.04 ... 0.2	±0.5	2	17	6528	FK-M4
M5	5	8	1200	0.04 ... 0.2	±0.5	2	23	30984	FK-M5
M6	5	10	1200	0.04 ... 0.2	±0.5	2	24	★ 2061	FK-M6
M8	7	13	2500	0.04 ... 0.2	±0.5	2	56	★ 2062	FK-M8
M10	12	17	5000	0.05 ... 0.25	±0.7	2	236	2063	FK-M10
M10x1.25			5000	0.05 ... 0.25	±0.7	2	236	★ 6140	FK-M10x1.25
M12	12	19	5000	0.05 ... 0.25	±0.7	2	242	2064	FK-M12
M12x1.25			5000	0.05 ... 0.25	±0.7	2	245	★ 6141	FK-M12x1.25
M16	19	24	10000	0.05 ... 0.25	±1	2	706	2065	FK-M16
M16x1.5			10000	0.05 ... 0.25	±1	2	709	★ 6142	FK-M16x1.5
M20x1.5	19	30	10000	0.05 ... 0.25	±1	2	792	★ 6143	FK-M20x1.5
M27x2	24	41	30000	0.05 ... 0.25	±1	2	2129	10485	FK-M27x2
M36x2	32	55	40000	0.05 ... 0.25	±1	2	6076	10746	FK-M36x2

1) More information: www.festo.com/x/topic/crc



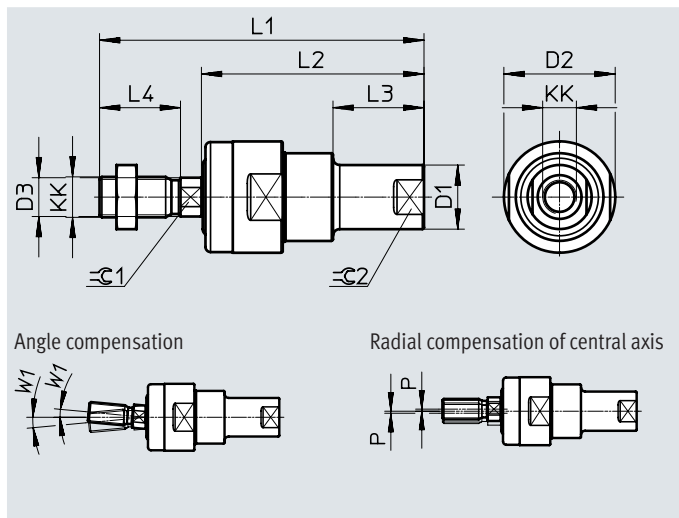
Datasheet

Self-aligning rod coupler CRFK

Scope of delivery:
1 self-aligning rod coupler

Material:
Housing, threaded bolt, nut: High-alloy stainless steel
Cap: EPDM

RoHS-compliant
LABS (PWIS) conformity:
VDMA24364-B2-L



Dimensions and ordering data										
KK	D1 ∅	D2 ∅	D3 ∅	L1	L2	L3	L4	W1 [°]	$\ominus C1$	$\ominus C2$
M10x1.25	19	33	11.5	94	66	27	22	5	10	16
M12x1.25	19	33	11.5	96	66	27	24	5	10	16
M16x1.5	27	47	16	129	89	32	32	5	14	22
M20x1.5	35	57	21	165	114	40	40	5	18	30

KK	Max. permissible tensile and compressive load [N]	Axial play [mm]	Radial compensation P [mm]	Ambient temperature [°C]
M10x1.25	2100	0.01 ... 0.03	±1	-20 ... +100
M12x1.25	2100	0.01 ... 0.03	±1	-20 ... +100
M16x1.5	5600	0.01 ... 0.03	±1	-20 ... +100
M20x1.5	13800	0.01 ... 0.03	±1	-20 ... +100

KK	CRC ¹⁾	Weight [g]	Part no.	Type
M10x1.25	4	230	2305778	CRFK-M10x1.25
M12x1.25	4	230	2305779	CRFK-M12x1.25
M16x1.5	4	670	2490673	CRFK-M16x1.5
M20x1.5	4	1280	2545677	CRFK-M20x1.5

1) More information: www.festo.com/x/topic/crc

Datasheet

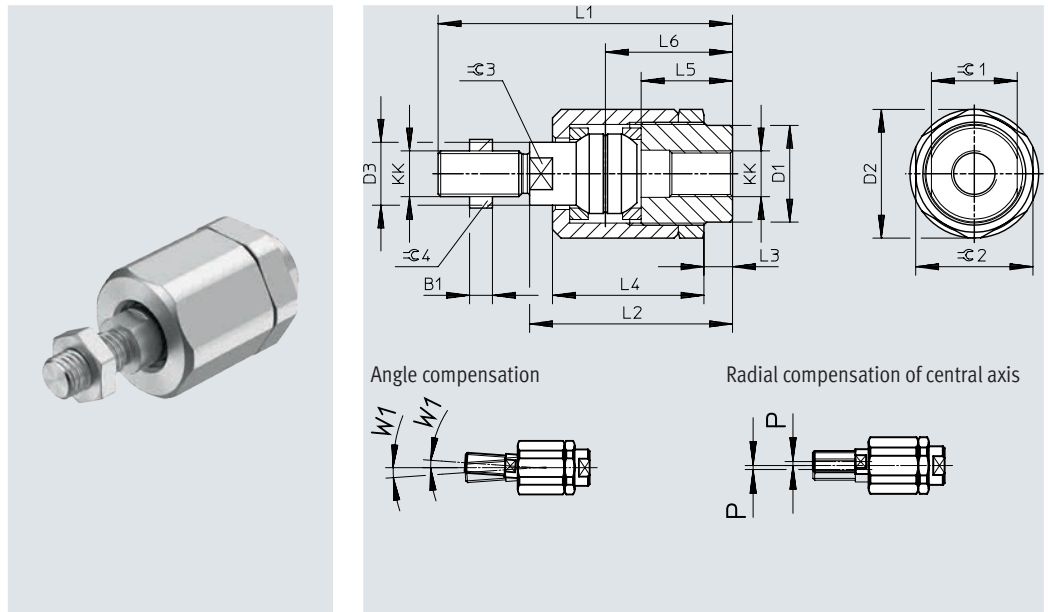
Self-aligning rod coupler DARP

Scope of delivery:
1 self-aligning rod coupler, 1 hex nut to
DIN 439

Material:
Housing, bushing, nut: High-alloy
stainless steel
Spherical washer, ball stud: Case-hard-
ened steel

RoHS-compliant
LABS (PWIS) conformity:
VDMA24364-B2-L

Recommended for production systems
for manufacturing lithium-ion batter-
ies.



Dimensions and ordering data													
KK	B1	D1 ∅	D2 ∅	D3 ∅	L1	L2	L3	L4	L5	L6	W1 [°]	≅1	≅2
M4	2.2	–	–	3.8	33	24	4.5	16.5	12.5	16	4	11	11
M5	2.7	8.5	14.5	5.8	38.5	25	4.4	17.5	11.5	15.7	4	7	13
M6	3.2				37						4		
M8	4	12.5	19	7.8	49	33.5	6	23.5	14	20.5	4	10	17
M10x1.25	5	21.4	32.5	13.8	69.5	49.5	7	36	23	31	4	19	30
M12x1.25	6				74.5								
M16x1.25	8	33.8	45	22	103	71	10	53	32	44.5	4	30	41
M20x1.25	10				120								

KK	≅3	≅4	Max. permissible tensile and compres- sive load [N]	Axial play [mm]	Radial compensa- tion P [mm]	CRC ¹⁾	Weight [g]	Battery man- ufacturing ²⁾	Part no.	Type
M4	3.2	7	750	0.04 ... 0.2	±0.5	2	17	F5a	8170110	DARP-M4-F
M5	5	8	1000	0.04 ... 0.2	±0.5	2	24	F5a	8170112	DARP-M5-F
M6		10	1000	0.04 ... 0.2	±0.5	2	25	F5a	8170115	DARP-M6-F
M8	7	13	2500	0.04 ... 0.2	±0.5	2	58	F5a	8170116	DARP-M8-F
M10x1.25	12	17	5000	0.05 ... 0.25	±0.7	2	236	F5a	8170119	DARP-M10P-F
M12x1.25		19	5000	0.05 ... 0.25	±0.7	2	244	F5a	8170120	DARP-M12P-F
M16x1.25	19	24	10000	0.05 ... 0.25	±1	2	712	F5a	8170121	DARP-M16P-F
M20x1.25		30	10000	0.05 ... 0.25	±1	2	796	F5a	8170124	DARP-M20P-F

1) More information: www.festo.com/x/topic/crc
 2) F5a: Metals with more than 5% by mass of copper, zinc or nickel are excluded from use. Exceptions are nickel in steel, chemically nickel-plated surfaces, printed circuit boards, cables, electrical plug connectors and coils.
 More information: www.festo.com/x/topic/bat

Datasheet

Coupling piece KSG

The coupling piece connects the piston rod thread of all cylinder types to the machine parts to be moved. It compensates for radial deflections of up to 1 mm.

Scope of delivery:

1 flange plate, 1 threaded coupling

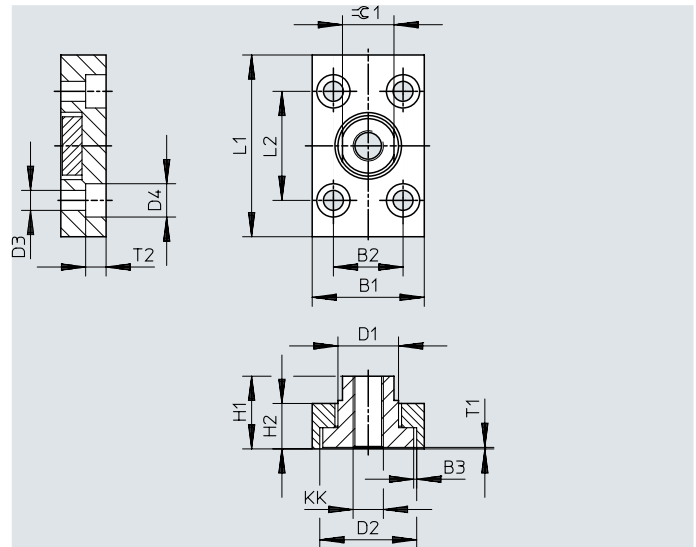
Material:

Galvanised steel

RoHS-compliant

LABS (PWIS) conformity:

VDMA24364-B2-L



Dimensions and ordering data

KK	B1	B2	B3 Max. radial play	D1 ∅	D2 ∅	D3 ∅ H13	D4 ∅ H13	H1	H2	L1	L2
M10x1.25	37	23	1	20	32	6.6	11	24	15	60	36
M12x1.25	56	38	1	25	42	9	15	30	20	60	42
M16x1.5	80	58	1	30	52	11	18	32	20	80	58
M20x1.5	90	65	1	40	62	14	20	35	20	90	65
M27x2	90	65	1	40	62	14	20	35	20	90	65

KK	T1 Min. axial play	T2 +0.4 -0	⊖C1 h13	Max. tightening torque ¹⁾ [Nm]	CRC ²⁾	Weight [g]	Part no.	Type
M10x1.25	0.5	6.8	17	9.9	1	229	32963	KSG-M10x1.25
M12x1.25	0.5	9	19	24	1	447	32964	KSG-M12x1.25
M16x1.5	0.5	11	24	47	1	882	32965	KSG-M16x1.5
M20x1.5	0.5	13	36	82	1	1083	32966	KSG-M20x1.5
M27x2	0.5	13	36	82	1	1143	32967	KSG-M27x2

1) For retaining screws with regular thread/strength class 8.8.

2) More information: www.festo.com/x/topic/crc

Datasheet

Coupling piece KSZ

for non-rotating piston rods with male thread

This coupling piece provides a non-rotating cylinder with stability when connecting it with a component, without needing to turn the cylinder or the component.

Scope of delivery:

1 flange plate, 1 threaded coupling

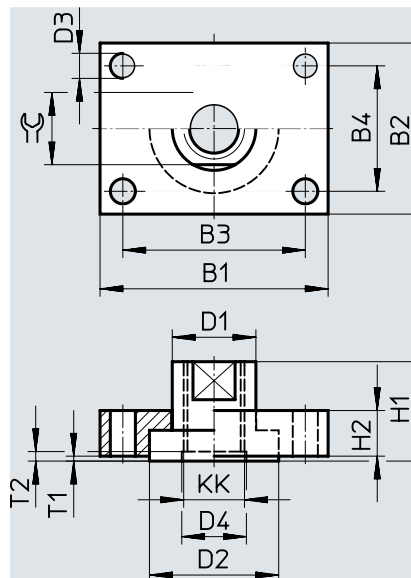
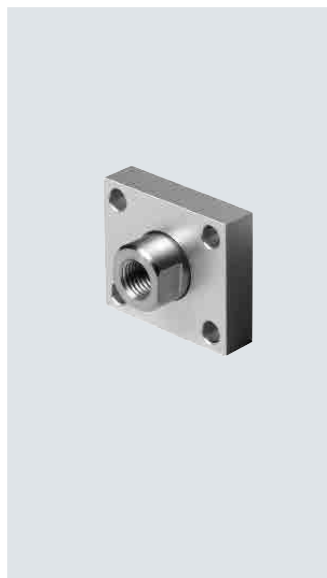
Material:

Galvanised steel

RoHS-compliant

LABS (PWIS) conformity:

VDMA24364-B2-L



Dimensions and ordering data

KK	B1	B2	D1 ∅	D2 ∅	D3 ∅ H13	D4 ∅	H1	H2	L1	L2	T1	T2
M6	25	15	12	18	5.5	8	16	8	30	20	0.1	2
M8	30	20	14	20	5.5	–	22	8	35	25	0.1	–
M10x1.25	35	25	17	26	5.5	–	20	10	40	30	0.1	–
M12x1.25	40	30	17	26	5.5	–	22	12	50	40	0.1	–
M16x1.5	45	33	22	34	6.6	–	25	12	60	48	0.1	–
M20x1.5	50	35	30	44	9	–	32	15	72	57	0.1	–

KK	≈G1 h13	Max. tightening torque ¹⁾ [Nm]	Max. tightening torque ²⁾ [Nm]	Max. tightening torque ³⁾ [Nm]	CRC ⁴⁾	Weight [g]	Part no.	Type
M6	10	5.9	6.9	2.1	1	45	36123	KSZ-M6
M8	13	5.9	16	5	1	70	36124	KSZ-M8
M10x1.25	15	5.9	34	12	1	110	36125	KSZ-M10x1.25
M12x1.25	15	5.9	61	22	1	180	36126	KSZ-M12x1.25
M16x1.5	19	9.9	148	57	1	246	36127	KSZ-M16x1.5
M20x1.5	27	24	296	120	1	418	36128	KSZ-M20x1.5

1) For retaining screws with regular thread/strength class 8.8.

2) For lock nut on the piston rod

3) Transferable torque of coupling with friction coefficient = μ 0.1 and 10x safety with max. permissible tightening torque

4) More information: www.festo.com/x/topic/crc

Note

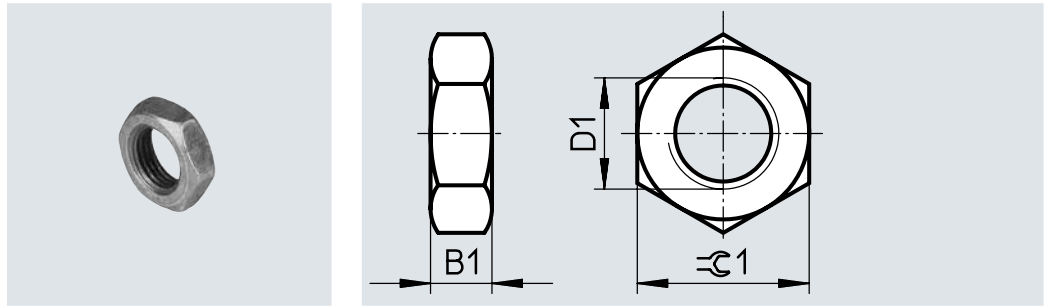
The torque on the coupling piece must not exceed the permissible torque on the cylinder. The retaining screws must be evenly tightened.

Datasheet

Hex nut MSK

Material:
Galvanised steel

RoHS-compliant
LABS (PWIS) conformity:
VDMA24364-B2-L



Dimensions and ordering data

D1	B1	$\approx \pm 1$	Conforms to ISO 8675	Based on ISO 8675	CRC ¹⁾	Weight [g]	Part no.	Type	PU ²⁾
M10x1.25	5	17	–	■	2	7	189005	MSK-M10x1.25	10
M12x1.25	6	19	–	■	2	9	189006	MSK-M12x1.25	10
M16x1.5	8	24	■	–	2	18	189007	MSK-M16x1,5	10

1) More information: www.festo.com/x/topic/crc

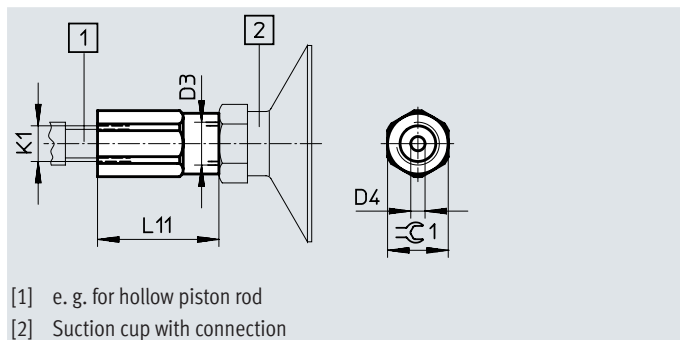
2) Packaging unit.

Datasheet

Adapter AD

Material:
Anodised aluminium

RoHS-compliant
LABS (PWIS) conformity:
VDMA24364-B2-L



Dimensions and ordering data

K1	D3	D4 ∅	L11	$\pm C1$	Weight [g]	Part no.	Type
M6	M5	2.3	27	10	6	157328	AD-M6-M5
M6	G1/8	2.3	27	13	9	157329	AD-M6-1/8
M6	G1/4	2.3	30	17	17	157330	AD-M6-1/4
M8	G1/8	3.2	29	13	8	157331	AD-M8-1/8
M8	G1/4	3.2	32	17	16	157332	AD-M8-1/4
M10x1.25	G1/8	4	31	13	10	157333	AD-M10x1.25-1/8
M10x1.25	G1/4	4	34	17	16	157334	AD-M10x1.25-1/4
M12x1.25	G1/4	6	34	17	28	160256	AD-M12x1.25-1/4
M12x1.25	G3/8	6	37	22	14	160257	AD-M12x1.25-3/8

Festo - Your Partner in Automation



1 Festo Inc.
5300 Explorer Drive
Mississauga, ON L4W 5G4
Canada

Festo Customer Interaction Center
Tel: 1 877 463 3786
Fax: 1 877 393 3786
Email: customer.service.ca@festo.com



2 Festo Pneumatic
Av. Ceylán 3,
Col. Tequesquináhuac
54020 Tlalnepantla,
Estado de México

Multinational Contact Center
01 800 337 8669
ventas.mexico@festo.com



3 Festo Corporation
1377 Motor Parkway
Suite 310
Islandia, NY 11749

Festo Customer Interaction Center
1 800 993 3786
1 800 963 3786
customer.service.us@festo.com



4 Regional Service Center
7777 Columbia Road
Mason, OH 45040

Connect with us



www.festo.com/socialmedia



www.festo.com

Subject to change