

Filter regulator PCRP

FESTO



Characteristics

At a glance

- Space-saving design with filter and regulator in a single device.
- Good particle separation and high flow rate
- Good regulation characteristics with minimal hysteresis
- Sturdy housing for the specific requirements of process automation
- Suitable for use outdoors and at temperatures down to $-60\text{ }^{\circ}\text{C}$
- Resistant to UV radiation and corrosive environments
- Two pressure gauge connections for variable installation
- The set values are secured by an adjusting screw with lock
- Suitable for use in potentially explosive environments in zones 1, 2, 21 and 22

Pressure regulation range

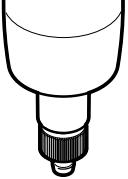
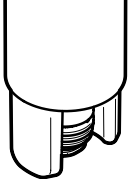
Two pressure regulation ranges: 0.5...7 bar and 0.5...12 bar

Grade of filtration

Grade of filtration of $5\text{ }\mu\text{m}$ or $40\text{ }\mu\text{m}$ can be selected.

Condensate drain

Optionally with manual or fully automatic condensate drain

[M]	Manually	[VC]	Fully automatic, normally closed
			

Type code

001		Series
PCR	P	Filter regulator
002		Size [mm]
4	4	44
6	6	64
003		Pneumatic connection
G	G	G1/4
G	G	G1/2
N	N	1/4 NPT
N	N	1/2 NPT
004		Pressure regulation range
7	7	Up to 7 bar
12	12	Up to 12 bar

005		Filter design
C	C	5 µm
E	E	40 µm
006		Bowl type
R	R	Stainless steel
007		Condensate drain
M	M	Manually
VC	VC	Fully automatic, normally closed
008		Temperature range
T	T	-20 ... +80°C
T	T	-60 ... +80°C
T	T	-0 ... +60°C

Datasheet

General technical data												
Pressure regulation range	Up to 7 bar				Up to 12 bar							
Size	64				44				64			
Pneumatic connection, port 1	G1/4	G1/2	NPT1/4-18	NPT1/2-14	G1/4	G1/2	1/4 NPT	1/2 NPT	G1/4	G1/2	NPT1/4-18	NPT1/2-14
Pneumatic connection, port 2	G1/4	G1/2	NPT1/4-18	NPT1/2-14	G1/4	G1/2	1/4 NPT	1/2 NPT	G1/4	G1/2	NPT1/4-18	NPT1/2-14
Design	Filter regulator without pressure gauge											
Conforms to standard	NACE MR0175/ISO 15156 (housing and bowl)											
Controller function	Via primary pressure compensation, With secondary venting											
Type of mounting	Either: In-line installation Via mounting kit											
Mounting position	Vertical +/-5°											
Grade of filtration	5 µm 40 µm											
Air purity class at output	Compressed air to ISO 8573-1:2010 [6:4:4] Compressed air to ISO 8573-1:2010 [7:4:4]											
Condensate drain	Manually rotating											
Actuator lock	Adjusting screw with lock											
Pressure regulation range	0.05 ... 0.7 MPa				0.05 ... 1.2 MPa							
Pressure regulation range	0.5 ... 7 bar				0.5 ... 12 bar							
Pressure regulation range	7.25 ... 101.5 psi				7.25 ... 174 psi							
Max. pressure hysteresis	0.2 bar											
Pressure gauge (ANALOG) or Pressure display (DIGITAL)	Prepared for G1/4											
Max. condensate volume	30 cm ³				12 ... 13 cm ³				30 cm ³			

General technical data – Fully automatic condensate drain												
Pressure regulation range	Up to 7 bar				Up to 12 bar							
Size	64				44				64			
Pneumatic connection, port 1	G1/4	G1/2	1/4 NPT	1/2 NPT	G1/4	G1/2	1/4 NPT	1/2 NPT	G1/4	G1/2	1/4 NPT	1/2 NPT
Pneumatic connection, port 2	G1/4	G1/2	1/4 NPT	1/2 NPT	G1/4	G1/2	1/4 NPT	1/2 NPT	G1/4	G1/2	1/4 NPT	1/2 NPT
Design	Filter regulator with pressure gauge											
Conforms to standard	NACE MR0175/ISO 15156 (housing and bowl)											
Controller function	Via primary pressure compensation, With secondary venting											
Type of mounting	In-line installation											
Mounting position	Vertical +/-5°											
Grade of filtration	5 µm 40 µm											
Air purity class at output	Compressed air to ISO 8573-1:2010 [6:4:4] Compressed air to ISO 8573-1:2010 [7:4:4]											
Condensate drain	Fully automatic											
Actuator lock	Adjusting screw with lock											
Pressure regulation range	0.05 ... 0.7 MPa				0.05 ... 1.2 MPa							
Pressure regulation range	0.5 ... 7 bar				0.5 ... 12 bar							
Pressure regulation range	7.25 ... 101.5 psi				7.25 ... 174 psi							
Max. pressure hysteresis	0.02 MPa											
Max. pressure hysteresis	0.2 bar											
Max. pressure hysteresis	2.9 psi											
Pressure gauge (ANALOG) or Pressure display (DIGITAL)	Prepared for G1/4											
Max. condensate volume	30 ml				12 ml				30 ml			

Flow values – Size 44												
Temperature range	-20 ... +80°C				-0 ... +60°C							
Pneumatic connection, port 1	G1/4	G1/2	1/4 NPT	1/2 NPT	G1/4	G1/2	1/4 NPT	1/2 NPT	G1/4	G1/2	1/4 NPT	1/2 NPT
Standard nominal flow rate (standardised to DIN 1343)	1,600 l/min											
Max. standard flow rate	2,400 l/min											

Datasheet

Flow values – size 44 (grade of filtration 40 µm)

Temperature range	-20 ... +80°C				-60 ... +80°C				-0 ... +60°C			
Pneumatic connection, port 1	G1/4	G1/2	1/4 NPT	1/2 NPT	G1/4	G1/2	1/4 NPT	1/2 NPT	G1/4	G1/2	1/4 NPT	1/2 NPT
Standard nominal flow rate (standardised to DIN 1343)	1,750 l/min											
Max. standard flow rate	2,500 l/min				2,020 l/min				2,500 l/min			

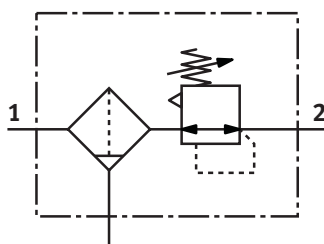
Flow values – Size 64 (pressure regulation range 0.5 ... 12 bar)

Pneumatic connection, port 1	G1/4		G1/2		1/4 NPT		1/2 NPT	
Grade of filtration	5 µm	40 µm	5 µm	40 µm	5 µm	40 µm	5 µm	40 µm
Standard nominal flow rate (standardised to DIN 1343)	1,920 l/min	2,845 l/min	1,980 l/min	3,100 l/min	1,920 l/min	2,845 l/min	1,980 l/min	3,100 l/min
Max. standard flow rate	2,400 l/min	3,990 l/min	2,740 l/min	6,440 l/min	2,400 l/min	3,990 l/min	2,740 l/min	6,440 l/min

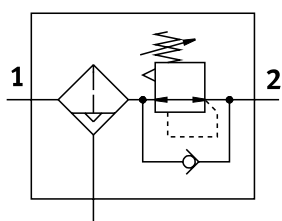
Flow values – Size 64 (pressure regulation range 0.5 ... 7 bar)

Pneumatic connection, port 1	G1/4		G1/2		1/4 NPT		1/2 NPT	
Grade of filtration	5 µm	40 µm	5 µm	40 µm	5 µm	40 µm	5 µm	40 µm
Standard nominal flow rate (standardised to DIN 1343)	2,040 l/min	3,320 l/min	2,150 l/min	4,115 l/min	2,040 l/min	3,320 l/min	2,150 l/min	4,115 l/min
Max. standard flow rate	2,410 l/min	3,980 l/min	2,920 l/min	6,750 l/min	2,410 l/min	3,980 l/min	2,920 l/min	6,750 l/min

Function – Manual drain



Function – Fully automatic drain



Operating and environmental conditions

Temperature range	-20 ... +80°C		-60 ... +80°C		-0 ... +60°C	
Operating pressure	0.1 ... 2 MPa				0.2 ... 1.2 MPa	
Operating pressure	1 ... 20 bar				2 ... 12 bar	
Operating pressure	14.5 ... 290 psi				29 ... 174 psi	
Operating medium	Compressed air to ISO 8573-1:2010 [-:4-], Inert gases					
Note on operating and pilot medium	Lubricated operation possible (in which case lubricated operation will always be required)				Lubricated operation possible	
Ambient temperature	-20 ... 80°C		-60 ... 80°C		0 ... 60°C	
Media temperature	-20 ... 80°C		-60 ... 80°C		0 ... 60°C	
Storage temperature	-20 ... 80°C		-60 ... 80°C		-10 ... 60°C	

Datasheet

Materials – Manual condensate drain

Size	44		64	
Temperature range	-20 ... +80°C	-60 ... +80°C	-20 ... +80°C	-60 ... +80°C
Material housing	Stainless steel casting			
Material number housing	1.4409/CF3M(316L)			
Material filter carrier	POM	Stainless steel casting		
Material bowl	Stainless steel casting			
Material number of bowl	1.4409/CF3M (316L)			
Material filter	PE	High-alloy stainless steel		
Material of drain screw	High-alloy stainless steel			
Material adjusting screw	High-alloy stainless steel			
Material spring	High-alloy stainless steel			
Material seals	CR, NBR	CR, NBR, VMQ	CR, NBR	CR, NBR, VMQ
Note on materials	RoHS-compliant			
LABS (PWIS) conformity	VDMA24364 zone III			

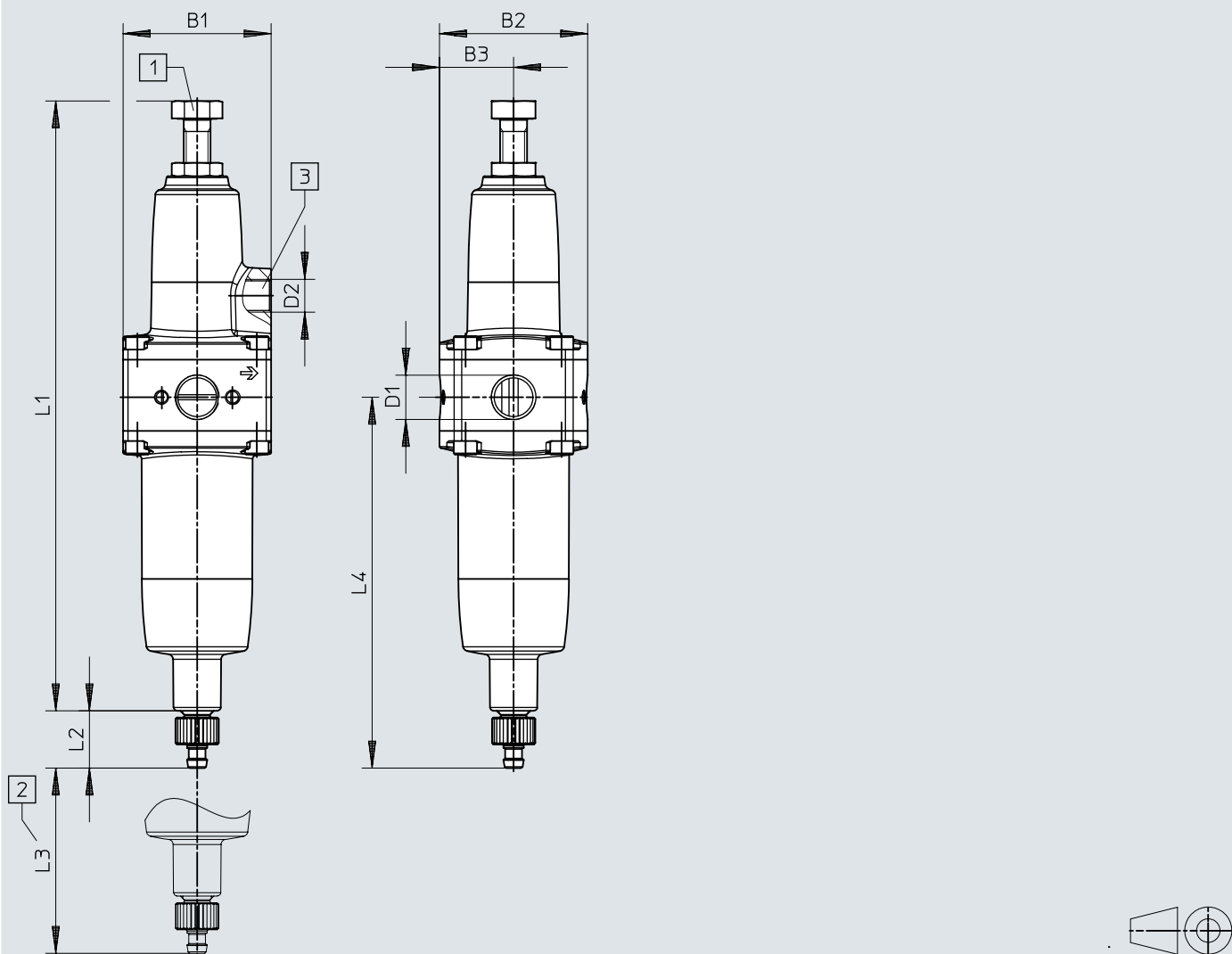
Materials – Fully automatic condensate drain

Size	44		64	
Temperature range	-0 ... +60°C			
Material housing	Stainless steel casting			
Material number housing	1.4409/CF3M(316L)			
Material filter carrier	POM			
Material bowl	High-alloy stainless steel			
Material number of bowl	1.4409/CF3M (316L)			
Material filter	PE			
Material adjusting screw	High-alloy stainless steel			
Material spring	High-alloy stainless steel			
Material seals	NBR			
Material mounting bracket	High-alloy stainless steel			
Note on materials	RoHS-compliant			
LABS (PWIS) conformity	VDMA24364 zone III			

Dimensions

Dimensions – PCRP-44-G14/N14

Download CAD data → www.festo.com



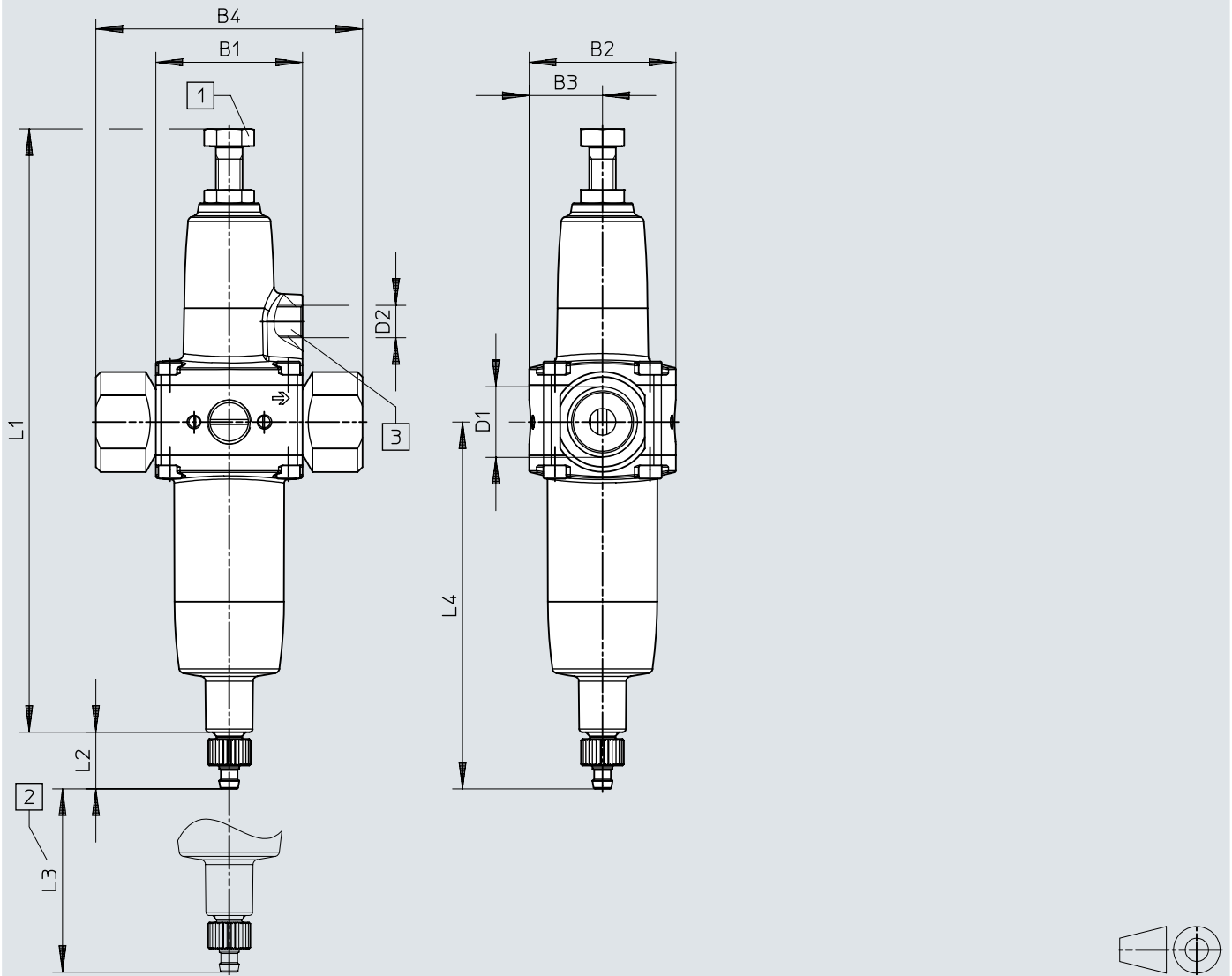
- [1] Screw M8
- [2] Installation dimension
- [3] Exhaust port

	B1	B2	B3	D1	D2	L1	L2	L3 min.	L4
PCRP-44-G14	44	44	22	G1/4	G1/8	181,1	17	60	110,1
PCRP-44-N14				1/4 NPT	1/8 NPT				

Dimensions

Dimensions – PCRP-44-G12/N12

Download CAD data → www.festo.com



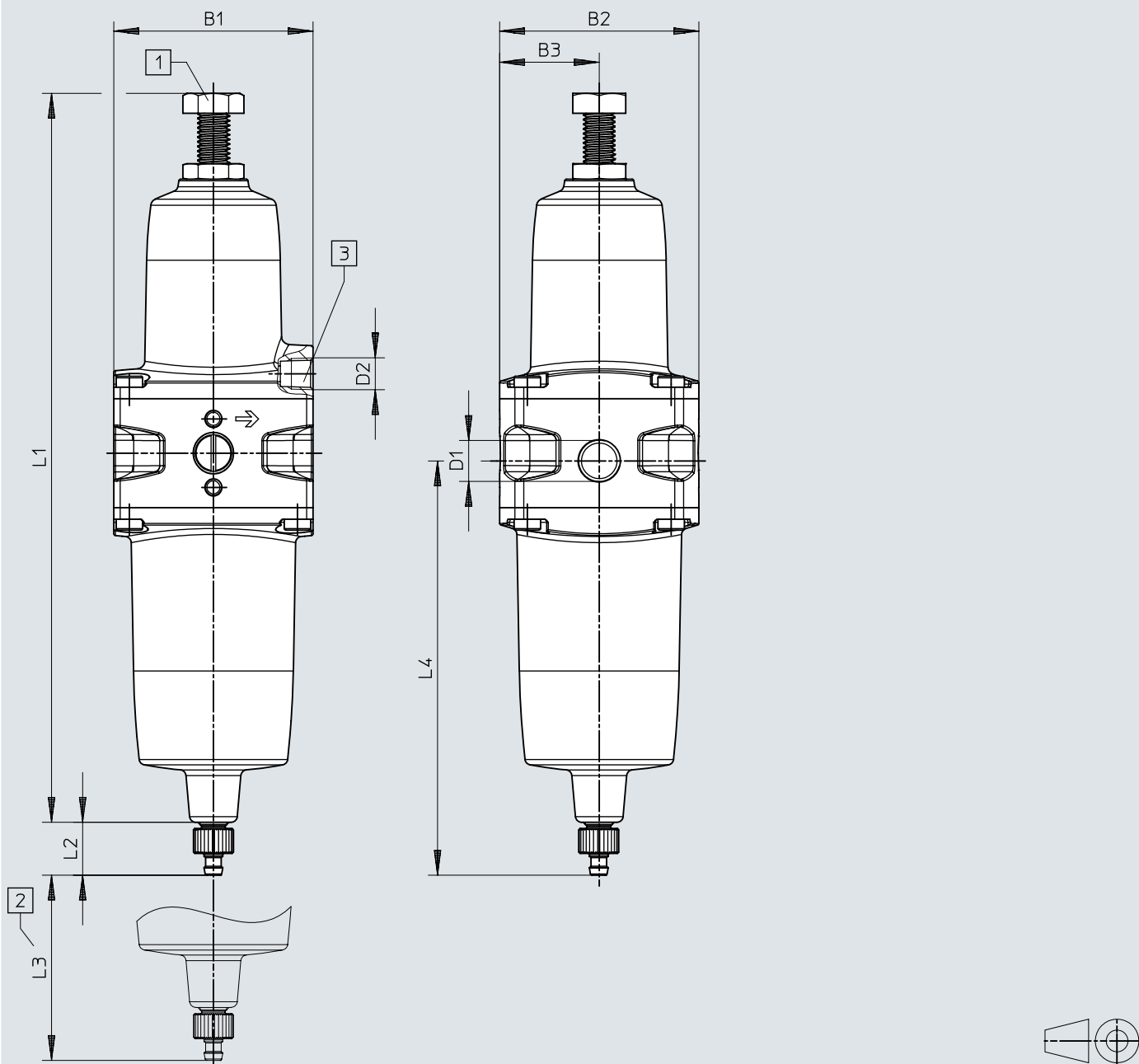
- [1] Screw M8
- [2] Installation dimension
- [3] Exhaust port

	B1	B2	B3	B4	D1	D2	L1	L2	L3 min.	L4
PCRP-44-G12	44	44	22	80	G1/2	G1/8	181,1	17	60	110,1
PCRP-44-N12					1/2 NPT	1/8 NPT				

Dimensions

Dimensions – PCRP-64

Download CAD data → www.festo.com



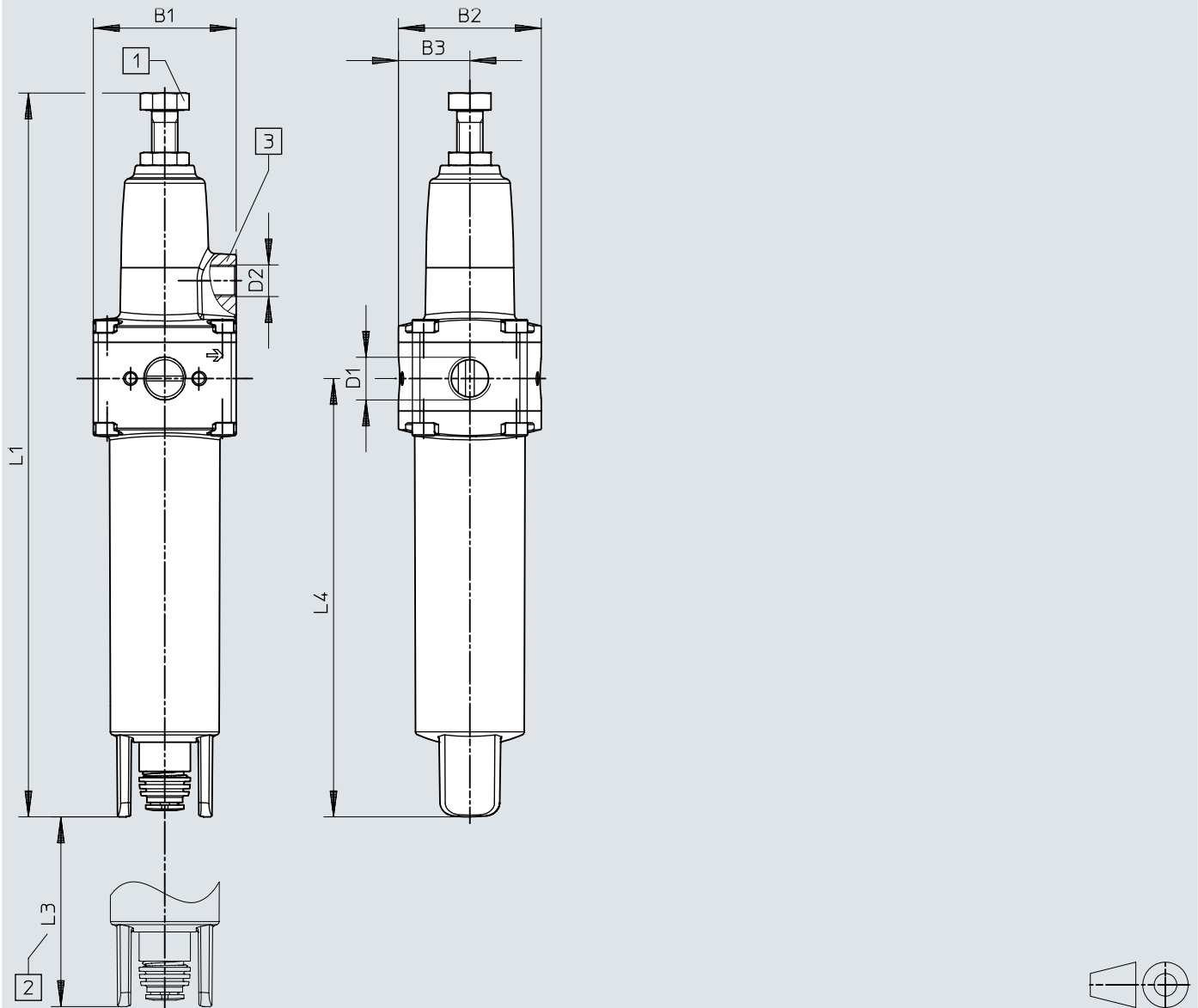
- [2] Installation dimension
- [3] Exhaust port

	B1	B2	B3	D1	D2	L1	L2	L3 min.	L4
PCRP-64-G14	64	64	32	G1/4	G1/8	234,2	17	60	135,6
PCRP-64-G12				G1/2					
PCRP-64-N14				1/4 NPT	1/8 NPT				
PCRP-64-N12				1/2 NPT					

Dimensions

Dimensions – PCRP-44-...G14-12-...VC-T31

Download CAD data → www.festo.com



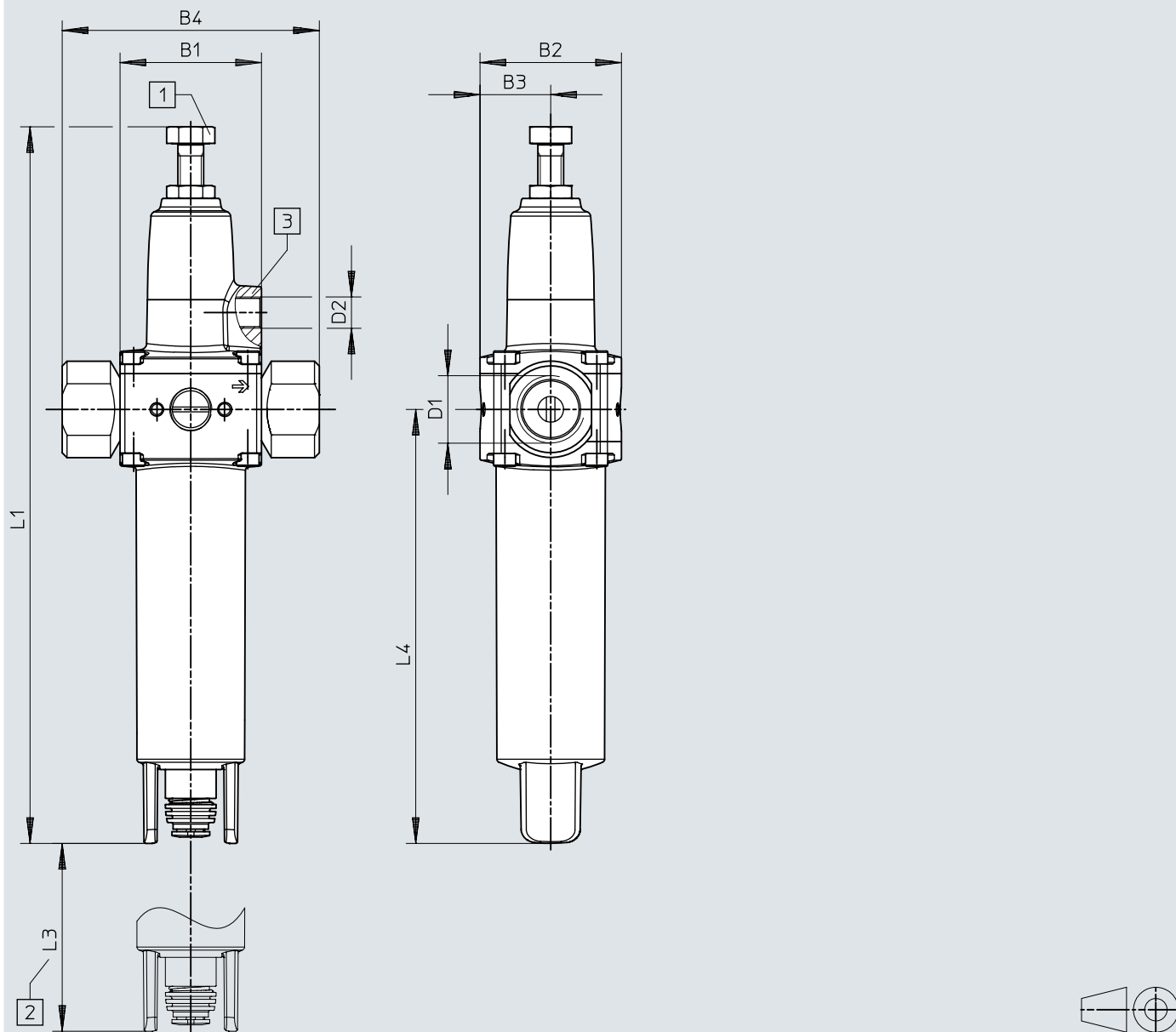
- [1] Screw M8
- [2] Installation dimension
- [3] Exhaust port

	B1	B2	B3	D1	D2	L1	L3 min.	L4
PCRP-44-N14-12-C-R1-VC-T31	44	44	22	NPT1/4	NPT1/8	223	60	135,1
PCRP-44-N14-12-E-R1-VC-T31								
PCRP-44-G14-12-C-R1-VC-T31				G1/4	G1/8			
PCRP-44-G14-12-E-R1-VC-T31								

Dimensions

Dimensions – PCRP-44-...G12-12-...VC-T31

Download CAD data → www.festo.com



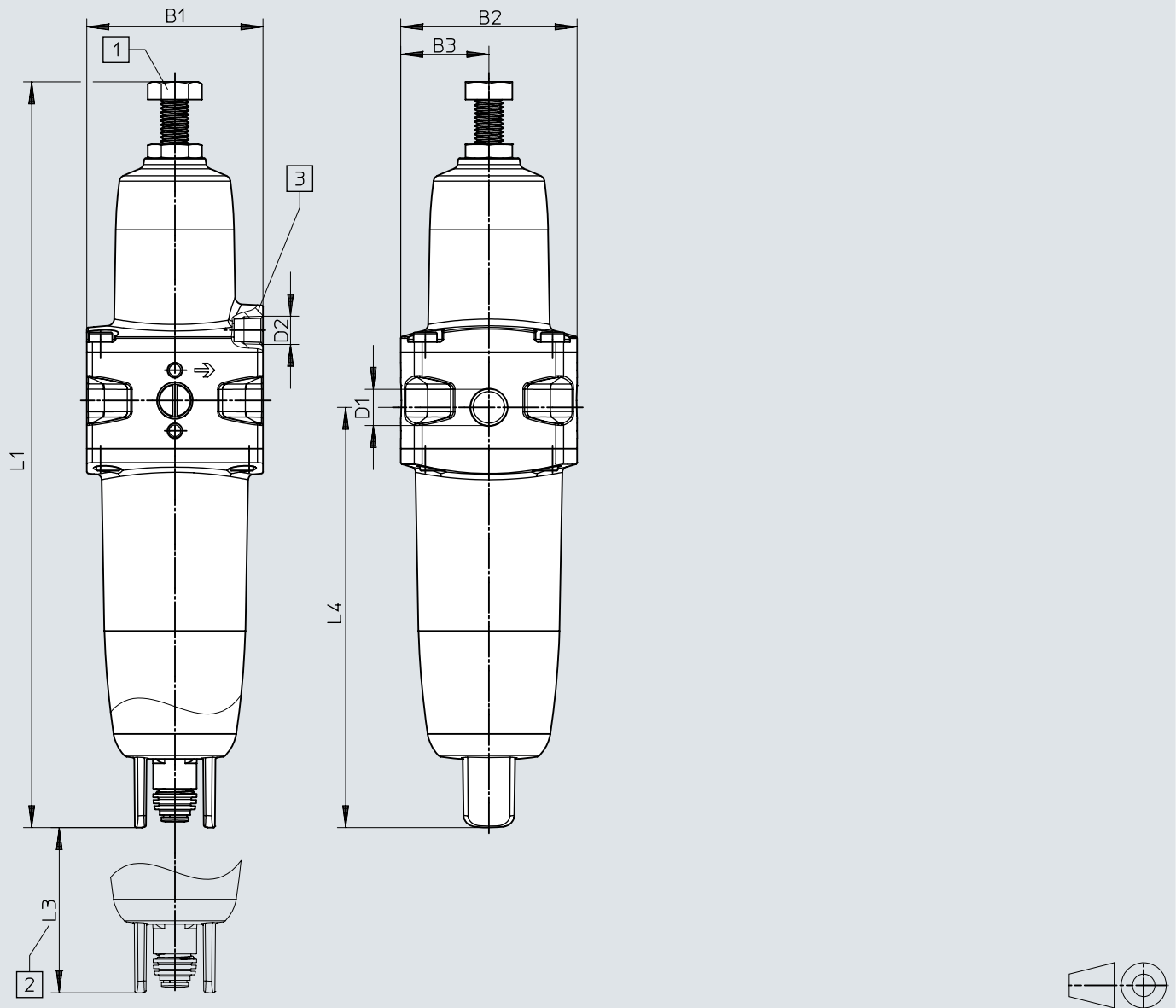
- [1] Screw M8
- [2] Installation dimension
- [3] Exhaust port

	B1	B2	B3	B4	D1	D2	L1	L3 min.	L4
PCRP-44-N12-12-C-R1-VC-T31	44	44	22	80	NPT1/2	NPT1/8	223	60	135,1
PCRP-44-N12-12-E-R1-VC-T31					G1/2	G1/8			
PCRP-44-G12-12-C-R1-VC-T31									
PCRP-44-G12-12-E-R1-VC-T31									

Dimensions

Dimensions – PCRP-64-...-12-...-VC-T31

Download CAD data → www.festo.com



[2] Installation dimension

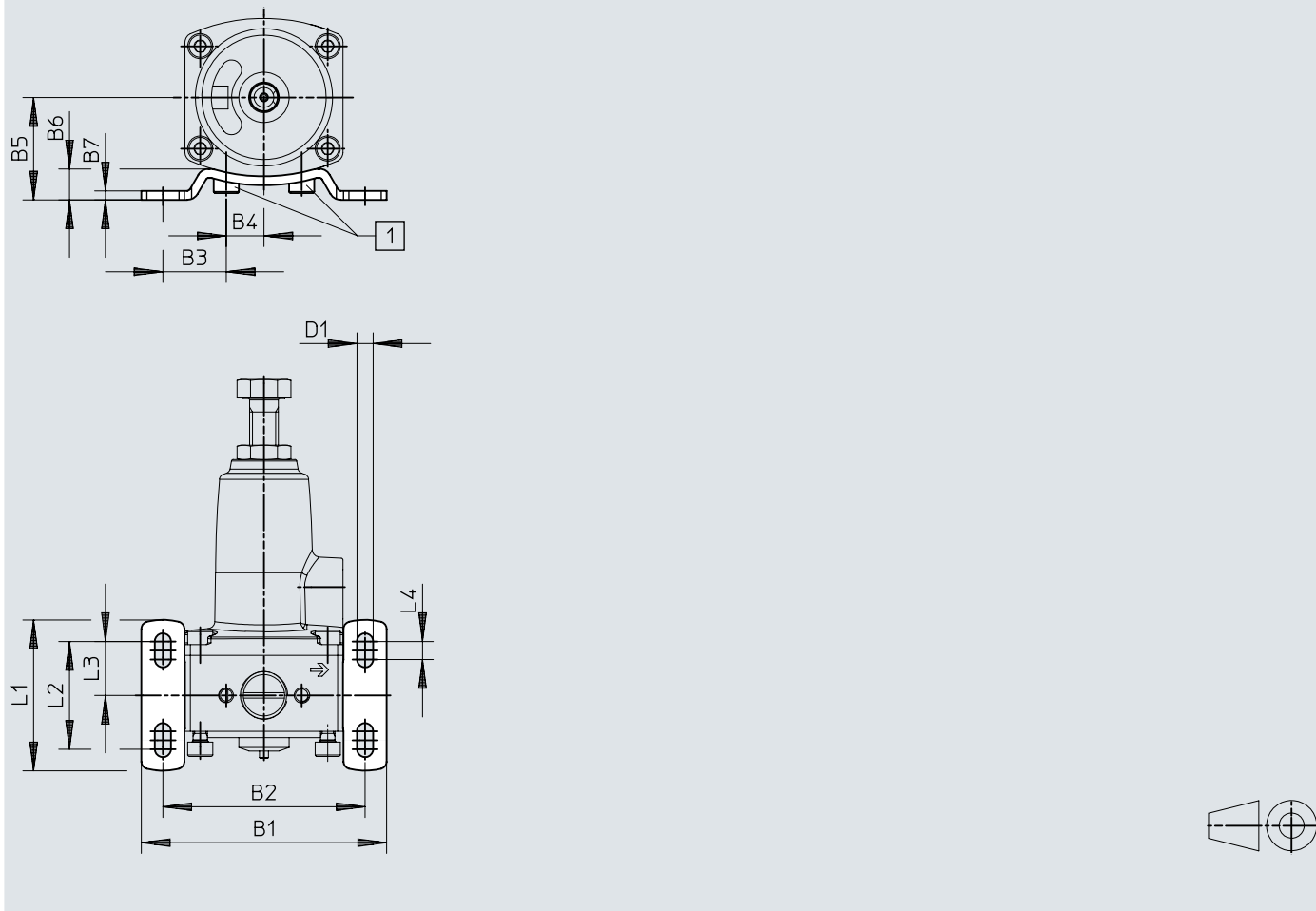
[3] Exhaust port

	B1	B2	B3	D1	D2	L1	L3 min.	L4
PCRP-64-N14-12-C-R1-VC-T31	64	64	32	NPT1/4	NPT1/8	270,6	60	155
PCRP-64-N14-12-E-R1-VC-T31				G1/4	G1/8			
PCRP-64-G14-12-C-R1-VC-T31								
PCRP-64-G14-12-E-R1-VC-T31				NPT1/2	NPT1/8			
PCRP-64-N12-12-C-R1-VC-T31								
PCRP-64-N12-12-E-R1-VC-T31								
PCRP-64-G12-12-C-R1-VC-T31				G1/2	G1/8			
PCRP-64-G12-12-E-R1-VC-T31								

Dimensions

Dimensions – PCRP-44 with mounting bracket PAMP-MB-44

Download CAD data → www.festo.com

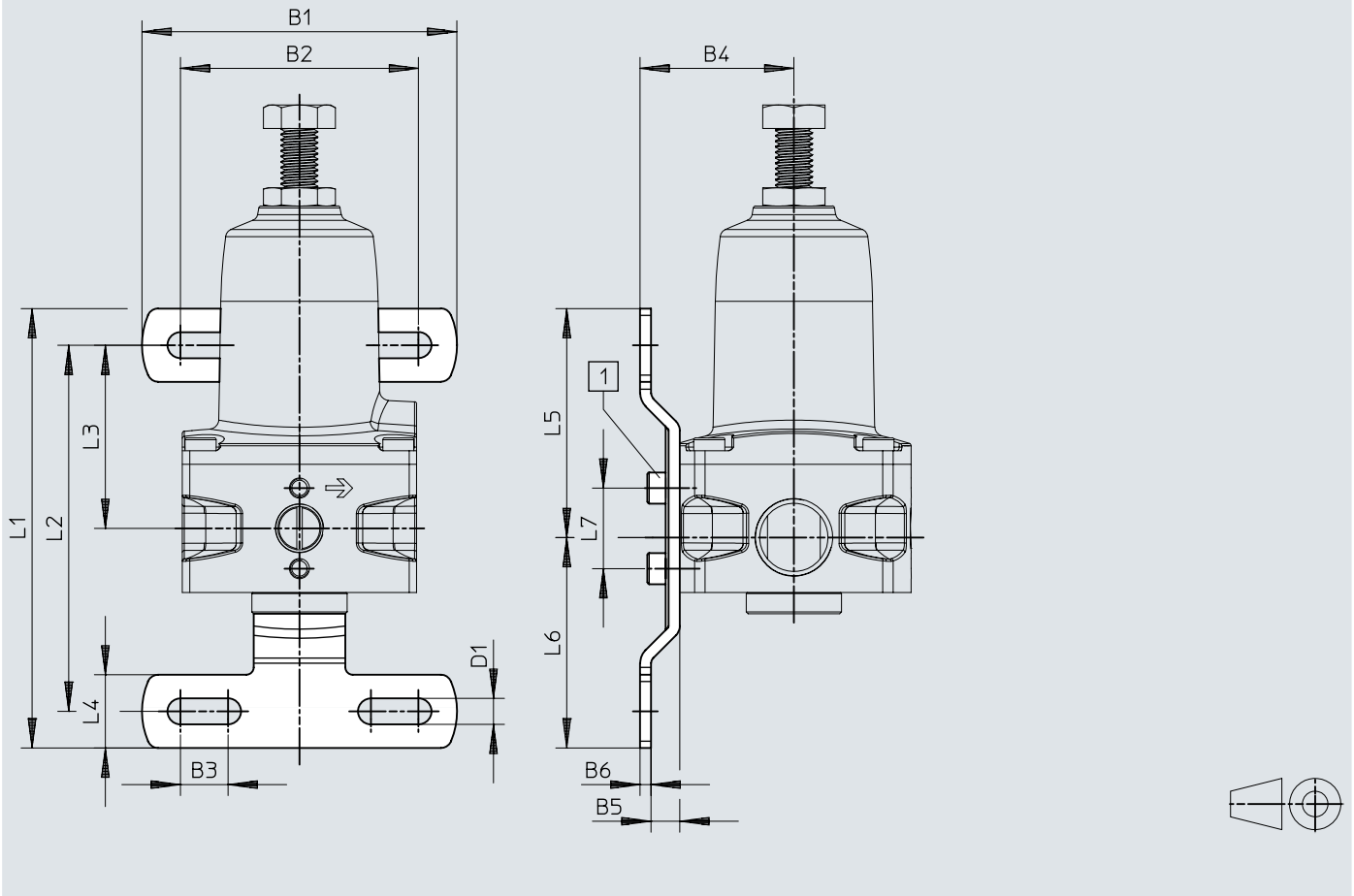


	B1	B2	B3	B4	B5	B6	B7	D1	L1	L2	L3	L4
PCRP-44	68,3	56,3	17,7	10,5	28,5	8,6	2,5	4,5	42	30	15	5

Dimensions

Dimensions – PCRP-64 with mounting bracket PAMP-MB-64

Download CAD data → www.festo.com

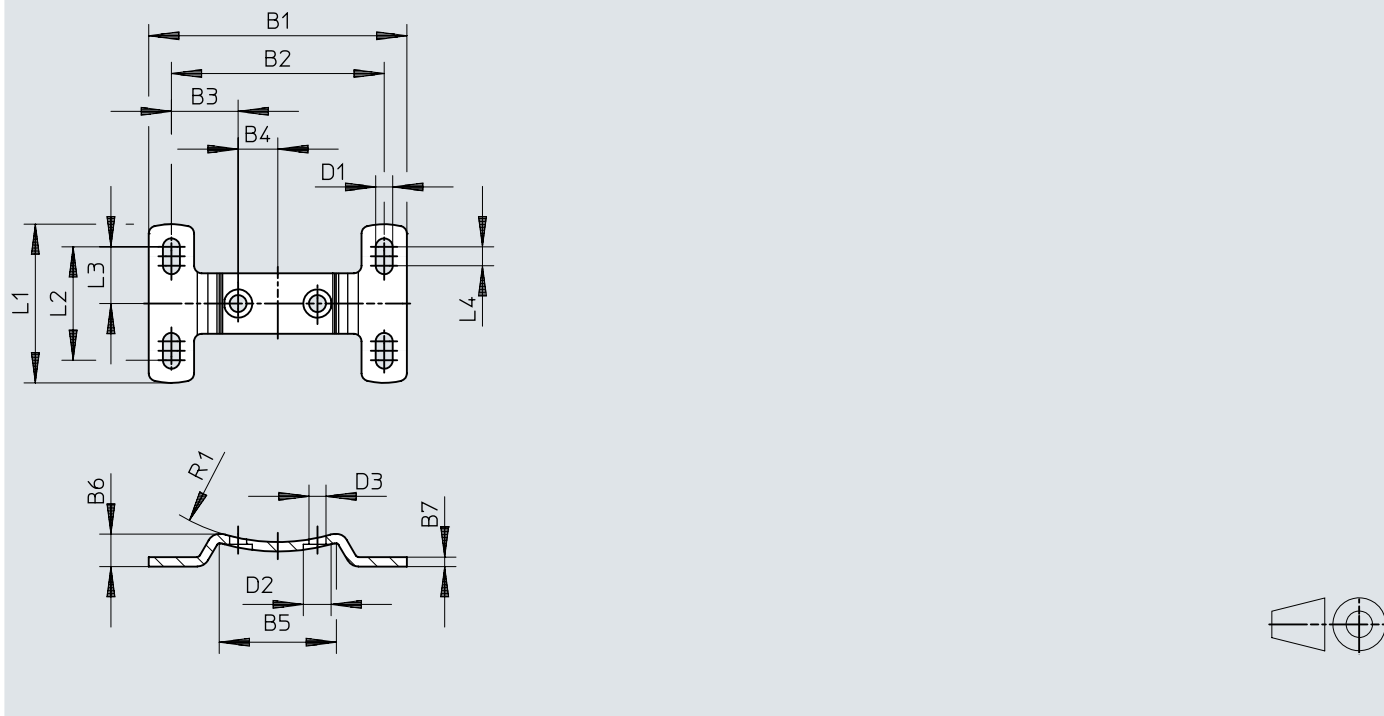


	B1	B2	B3	B4	B5	B6	D1	L1	L2	L3	L4	L5	L6	L7
PCR-64	86	65	13	42	7,8	3	7,1	120	100	50	20	62,5	57,5	22

Dimensions

Dimensions – Mounting bracket PAMP-MB-44 for PCRP-44

Download CAD data → www.festo.com

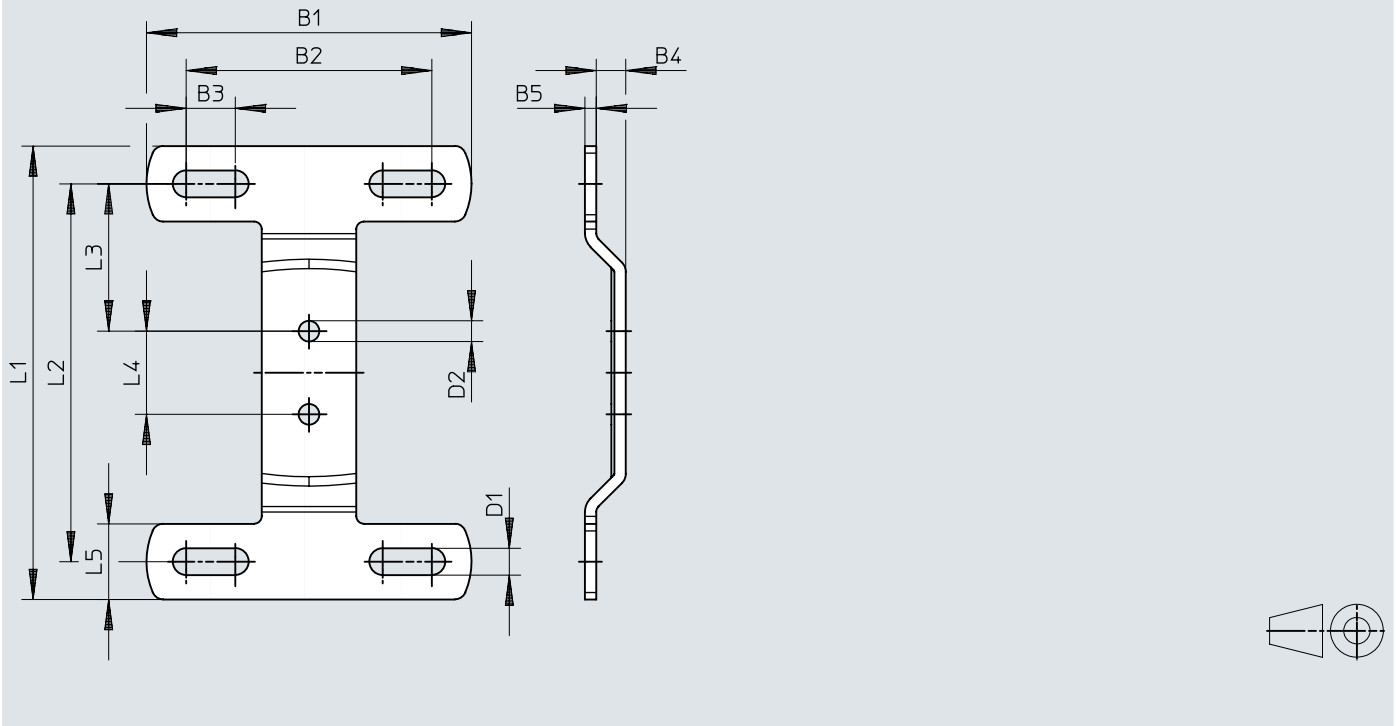


	B1	B2	B3	B4	B5	B6	B7	D1	D2 ∅	D3 ∅	L1	L2	L3	L4	R1
PAMP-MB-44	68,3	56,3	17,7	10,5	31	8,6	2,5	4,5	7,5	4,5	42	30	15	5	50,8

Dimensions

Dimensions – Mounting bracket PAMP-MB-64 for PCRP-64

Download CAD data → www.festo.com

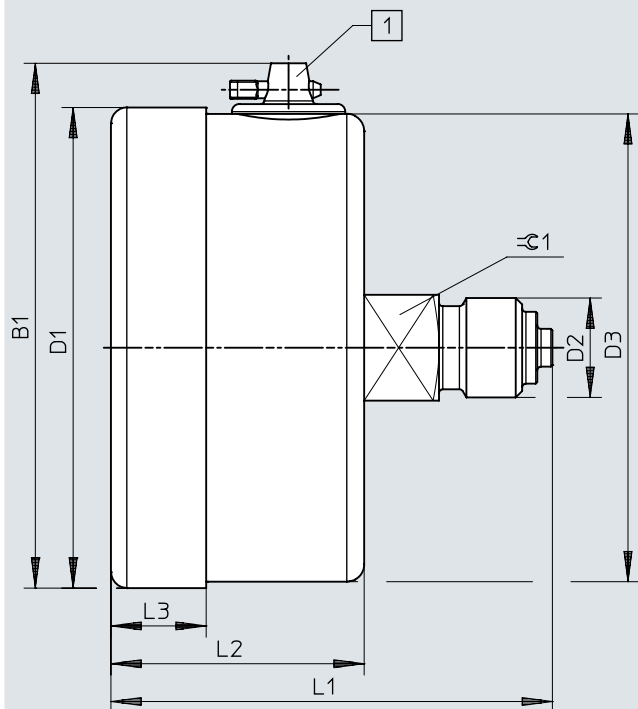


	B1	B2	B3	B4	B5	D1	D2 ∅	L1	L2	L3	L4	L5
PAMP-MB-64	86	65	13	7,8	3	7,1	5,5	120	100	39	22	20

Dimensions

Dimensions – Pressure gauge PAGN

Download CAD data → www.festo.com




[1] ≤ 16 bar with balancing valve


	B1	D1 ∅	D2	D3 ∅	L1	L2	L3	≅ 1
PAGN-63	69,5	63	G1/4	62	57	33	11,5	14

Ordering data


Ordering data – Size 44; temperature range -20 ... +80 °C (...-T18)

	Pneumatic connection, port 1	Grade of filtration	Condensate drain	Product weight	Part no.	Type
	G1/4	5 µm	Manually rotating	665 g	8120907	PCRP-44-G14-12-C-R1-M-T18
		40 µm		670 g	★ 8120906	PCRP-44-G14-12-E-R1-M-T18
	G1/2	5 µm		750 g	8120905	PCRP-44-G12-12-C-R1-M-T18
		40 µm		755 g	8120904	PCRP-44-G12-12-E-R1-M-T18
	1/4 NPT	5 µm		665 g	8120903	PCRP-44-N14-12-C-R1-M-T18
		40 µm		670 g	8120902	PCRP-44-N14-12-E-R1-M-T18
	1/2 NPT	5 µm		750 g	8120901	PCRP-44-N12-12-C-R1-M-T18
		40 µm		755 g	8120900	PCRP-44-N12-12-E-R1-M-T18


Ordering data – Size 64; temperature range -20 ... +80 °C (...-T18)


	Pneumatic connection, port 1	Grade of filtration	Condensate drain	Product weight	Part no.	Type
	G1/4	5 µm	Manually rotating	1,965 g	4787803	PCRP-64-G14-7-C-R1-M-T18
		40 µm			4787804	PCRP-64-G14-12-C-R1-M-T18
					4787805	PCRP-64-G14-7-E-R1-M-T18
	G1/2	5 µm		4787806	PCRP-64-G14-12-E-R1-M-T18	
				4787812	PCRP-64-G12-12-C-R1-M-T18	
		40 µm		4787811	PCRP-64-G12-7-C-R1-M-T18	
				★ 4787814	PCRP-64-G12-12-E-R1-M-T18	
	NPT1/4-18	5 µm		4787813	PCRP-64-G12-7-E-R1-M-T18	
				4787800	PCRP-64-N14-12-C-R1-M-T18	
		40 µm		4787799	PCRP-64-N14-7-C-R1-M-T18	
				4787801	PCRP-64-N14-7-E-R1-M-T18	
	NPT1/2-14	5 µm		4787802	PCRP-64-N14-12-E-R1-M-T18	
				4787807	PCRP-64-N12-7-C-R1-M-T18	
		40 µm		4787808	PCRP-64-N12-12-C-R1-M-T18	
				4787809	PCRP-64-N12-7-E-R1-M-T18	
				4787810	PCRP-64-N12-12-E-R1-M-T18	


Ordering data – Size 44; temperature range -60 ... +80 °C (...-T19)

	Pneumatic connection, port 1	Grade of filtration	Condensate drain	Product weight	Part no.	Type
	G1/4	40 µm	Manually rotating	720 g	8120898	PCRP-44-G14-12-E-R1-M-T19
	G1/2			805 g	8120899	PCRP-44-G12-12-E-R1-M-T19
	1/4 NPT			720 g	8120896	PCRP-44-N14-12-E-R1-M-T19
	1/2 NPT			805 g	8120897	PCRP-44-N12-12-E-R1-M-T19

Ordering data


Ordering data – Size 64; temperature range -60 ... +80 °C (...-T19)								
	Pneumatic connection, port 1	Grade of filtration	Condensate drain	Product weight	Part no.	Type		
	G1/4	5 µm	Manually rotating	1,965 g	5394669	PCRP-64-G14-7-C-R1-M-T19		
		40 µm			5394670	PCRP-64-G14-12-C-R1-M-T19		
		G1/2			5 µm	1,910 g	5394672	PCRP-64-G14-12-E-R1-M-T19
					40 µm		5394671	PCRP-64-G14-7-E-R1-M-T19
	G1/2	5 µm		1,910 g	5394678	PCRP-64-G12-12-C-R1-M-T19		
					40 µm	5394677	PCRP-64-G12-7-C-R1-M-T19	
		5 µm			5394680	PCRP-64-G12-12-E-R1-M-T19		
	NPT1/4-18	5 µm		1,965 g	5394679	PCRP-64-G12-7-E-R1-M-T19		
			40 µm		5394666	PCRP-64-N14-12-C-R1-M-T19		
		5 µm	5394665		PCRP-64-N14-7-C-R1-M-T19			
	NPT1/2-14	5 µm	1,910 g	5394668	PCRP-64-N14-12-E-R1-M-T19			
				40 µm	5394667	PCRP-64-N14-7-E-R1-M-T19		
		5 µm		5394674	PCRP-64-N12-12-C-R1-M-T19			
				40 µm	5394673	PCRP-64-N12-7-C-R1-M-T19		
					5394676	PCRP-64-N12-12-E-R1-M-T19		
					5394675	PCRP-64-N12-7-E-R1-M-T19		

Ordering data – Size 44; temperature range 0 ... +60°C (...T31)						
	Pneumatic connection, port 1	Grade of filtration	Condensate drain	Product weight	Part no.	Type
	G1/4	5 µm	Fully automatic	810 g	8195725	PCRP-44-G14-12-C-R1-VC-T31
		40 µm			8195723	PCRP-44-G14-12-E-R1-VC-T31
	G1/2	5 µm		890 g	8195724	PCRP-44-G12-12-C-R1-VC-T31
		40 µm			8195722	PCRP-44-G12-12-E-R1-VC-T31
	1/4 NPT	5 µm		810 g	8195718	PCRP-44-N14-12-C-R1-VC-T31
		40 µm			8195719	PCRP-44-N14-12-E-R1-VC-T31
	1/2 NPT	5 µm		890 g	8195720	PCRP-44-N12-12-C-R1-VC-T31
		40 µm			8195721	PCRP-44-N12-12-E-R1-VC-T31

Ordering data – Size 64; temperature range 0 ... +60°C (...T31)						
	Pneumatic connection, port 1	Grade of filtration	Condensate drain	Product weight	Part no.	Type
	G1/4	5 µm	Fully automatic	2,285 g	8195729	PCRP-64-G14-7-C-R1-VC-T31
		40 µm			8195732	PCRP-64-G14-12-C-R1-VC-T31
					8195728	PCRP-64-G14-12-E-R1-VC-T31
		8195733			PCRP-64-G14-7-E-R1-VC-T31	
	G1/2	5 µm		2,230 g	8195726	PCRP-64-G12-12-C-R1-VC-T31
					40 µm	8195736
		5 µm			8195739	PCRP-64-G12-7-E-R1-VC-T31
	1/4 NPT	5 µm		2,285 g	8195734	PCRP-64-G12-12-E-R1-VC-T31
					40 µm	8195731
		5 µm			8195737	PCRP-64-N14-7-C-R1-VC-T31
					40 µm	8195740
	1/2 NPT	5 µm		2,230 g	8195735	PCRP-64-N14-12-E-R1-VC-T31
					8195727	PCRP-64-N12-12-C-R1-VC-T31

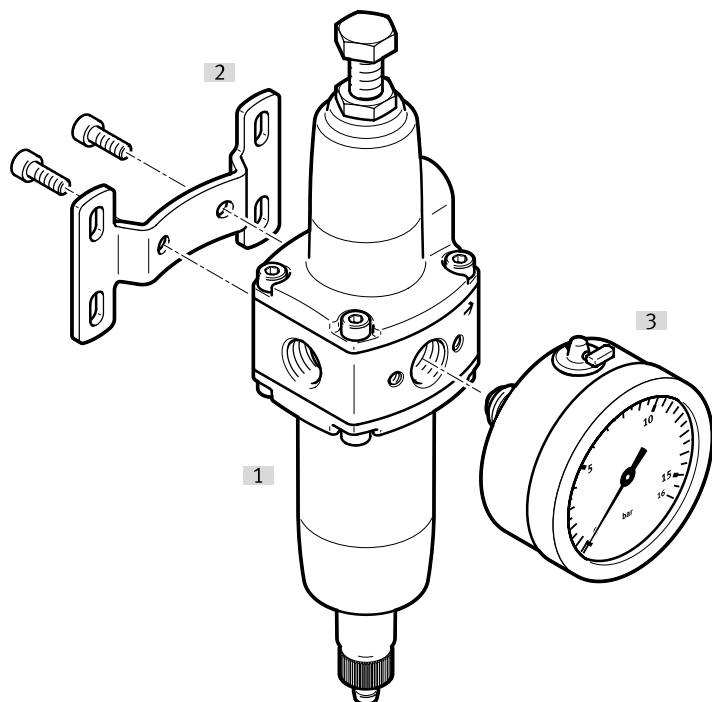
Ordering data

Ordering data – Size 64; temperature range 0 ... +60°C (...-T31)

	Pneumatic connection, port 1	Grade of filtration	Condensate drain	Product weight	Part no.	Type
	1/2 NPT	5 µm	Fully automatic	2,230 g	8195738	PCRP-64-N12-7-C-R1-VC-T31
		40 µm			8195730	PCRP-64-N12-7-E-R1-VC-T31
					8195741	PCRP-64-N12-12-E-R1-VC-T31

Peripherals

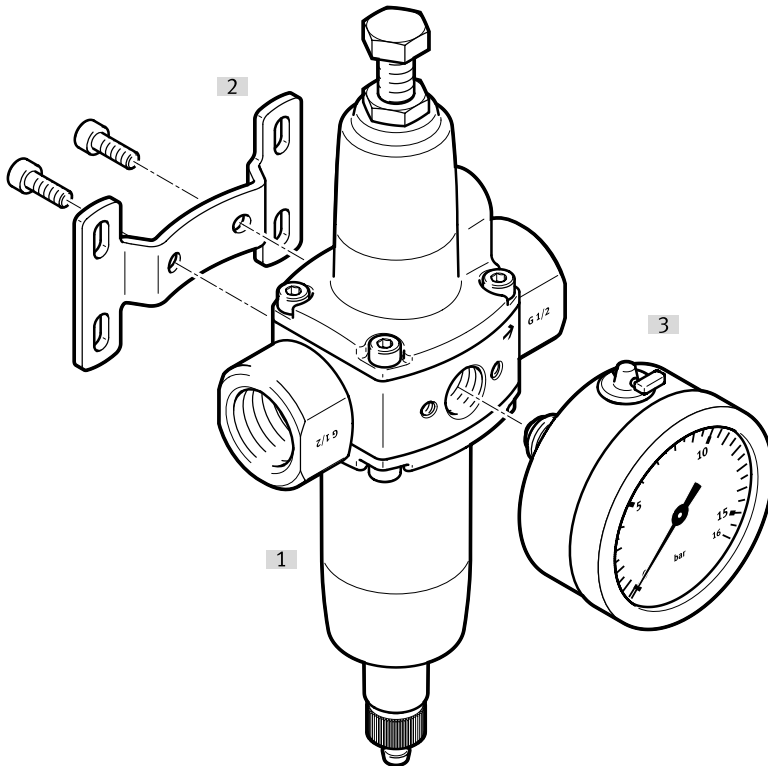
Peripherals overview – PCRP-44-G14/N14-...-T18



Accessories			→ Page/Internet
Type/order code	Description		
[1]	Filter regulator PCRP		pcrp
[2]	Mounting bracket PAMP		26
[3]	Pressure gauge PAGN		26
[4]	Filter cartridge PFEP	Without illustration	26
[5]	Filter cartridge MS4-LFP	Without illustration	26

Peripherals

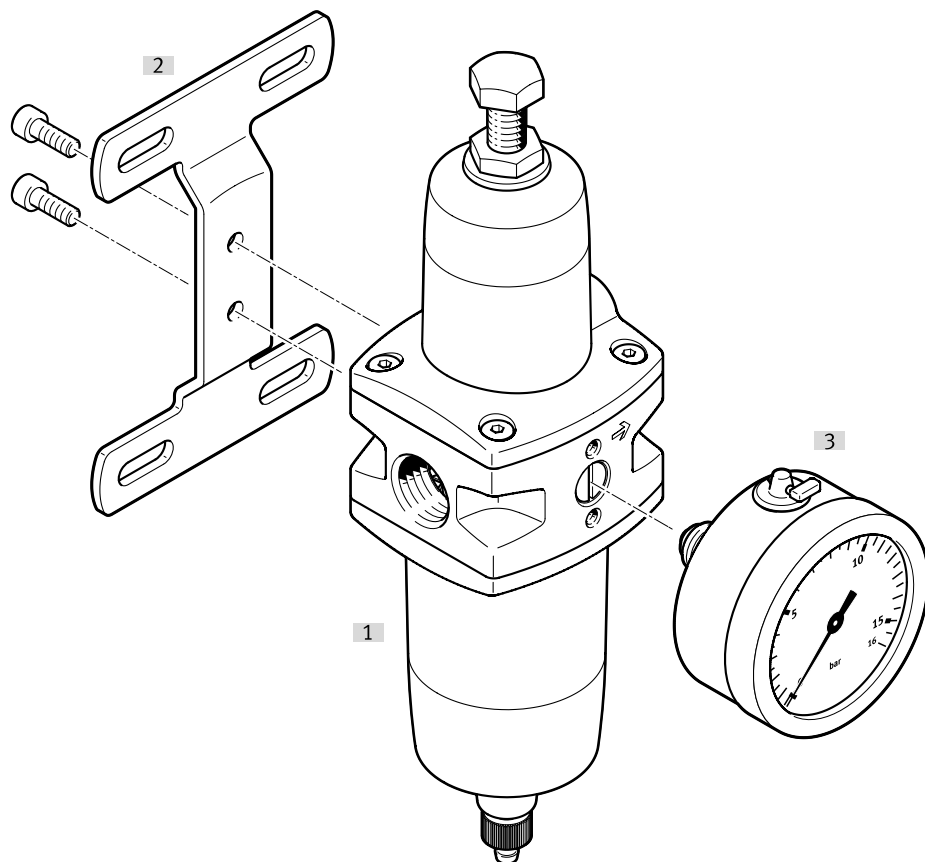
Peripherals overview – PCRP-44-G12/N12-...-T19



Accessories		→ Page/Internet
Type/order code	Description	
[1]	Filter regulator PCRP	PCRp
[2]	Mounting bracket PAMP	26
[3]	Pressure gauge PAGN	26
[4]	Filter cartridge PFEP	Without illustration
[5]	Filter cartridge MS4-LFP	Without illustration

Peripherals

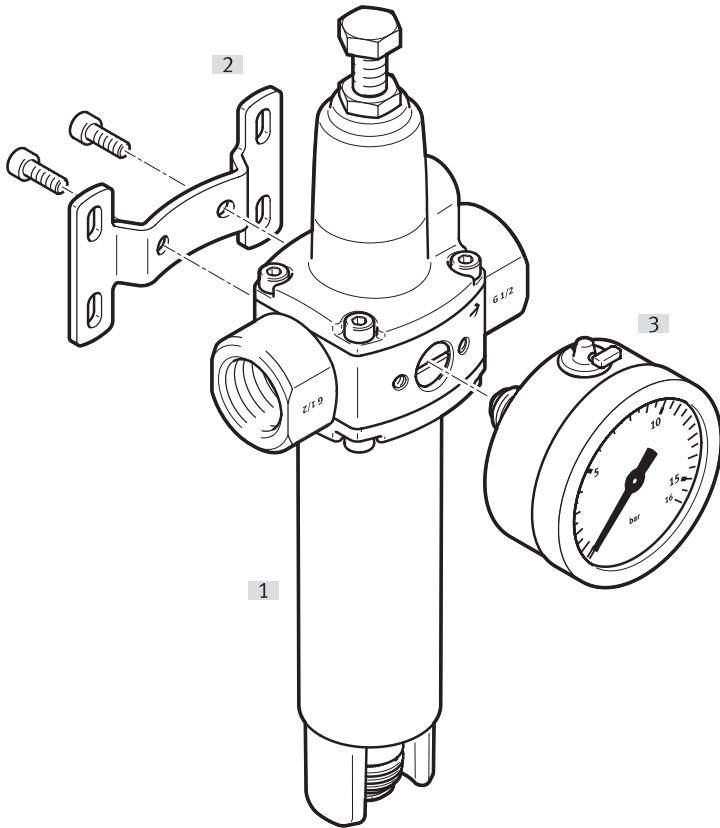
Peripherals overview – PCRP-64-...-T18



Accessories		→ Page/Internet
Type/order code	Description	
[1] Filter regulator PCRP		pcrp
[2] Mounting bracket PAMP		26
[3] Pressure gauge PAGN		26
[4] Filter cartridge PFEP	Without illustration	26

Peripherals

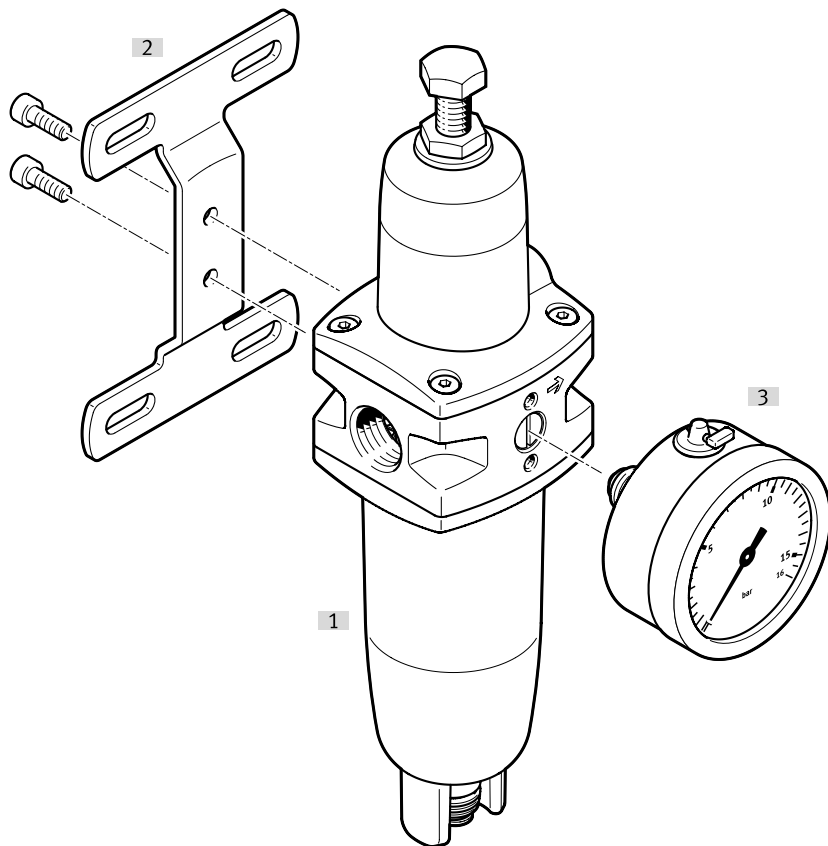
Peripherals overview – PCRP-44-...-T31



Accessories		→ Page/Internet
Type/order code	Description	
[1]	Filter regulator PCRP	pcrp
[2]	Mounting bracket PAMP	26
[3]	Pressure gauge PAGN	26

Peripherals

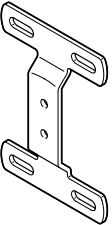
Peripherals overview – PCRP-64-...-T31



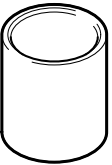
Accessories			→ Page/Internet
Type/order code	Description		
[1] Filter regulator PCRP			pcrp
[2] Mounting bracket PAMP			26
[3] Pressure gauge PAGN			26

Accessories

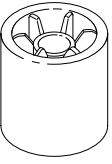
Mounting bracket PAMP

	Size	Description	Max. tightening torque for valve mounting	Product weight	Part no.	Type
	44		2.5 Nm	32 g	8123058	PAMP-MB-44
	64		5 Nm	119 g	8081356	PAMP-MB-64

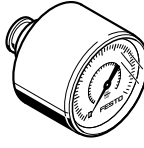
Filter cartridge PFEP

	Size	Description	Material filter	Grade of filtration	Part no.	Type
	44		High-alloy stainless steel	40 µm	8123059	PFEP-44-E
	64			5 µm	8081360	PFEP-64-C
				40 µm	8081365	PFEP-64-E

Filter cartridge MS4-LFP

	Size	Description	Material filter	Grade of filtration	Part no.	Type
	4		PE	5 µm	★ 534501	MS4-LFP-C
				40 µm	★ 534502	MS4-LFP-E

Pressure gauge PAGN

	Nominal size of pressure gauge ¹⁾	Pneumatic connection	Indicating range	Product weight	Part no.	Type
	63	G1/4	0 ... 16 bar	160 g	8081401	PAGN-63-16-G14-R1-1.6-0.5-V2

1) Festo is only a retailer of this product, not the manufacturer.