

Pressure gauge PAGN

FESTO



Characteristics

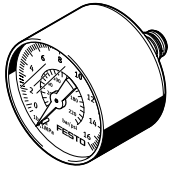
At a glance

Pressure gauge to DIN EN 837-1 for mounting on a push-in fitting.

- Display units MPa, bar, psi

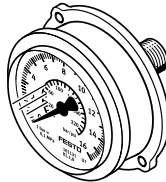
Design type

[] Direct mounting



Intended for direct mounting.

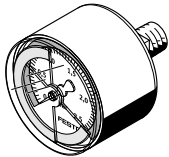
[P] Front panel mounting



Intended for front panel mounting.

Additional display

[RG] Red/green scale



Two adjustable red segments above the pressure gauge scale along with the printed green segment enable the required pressure range to be limited. The different colours show whether or not the pressure is in the permitted tolerance range.

Certification

[CPA] CPA (certification for measuring devices in China)

China Pattern Approval: Type approval of mechanical measuring devices for use in China.

Type code

001	Series
PAGN	Pressure gauge PAGN
002	Design type
	Direct mounting
P	Front panel mounting
003	Size
26	Diameter 26 mm
40	Diameter 40 mm
50	Diameter 50 mm
63	Diameter 63 mm
004	Display range
0.1	0 ... 0.1
0.4	0 ... 0.4
0.6	0 ... 0.6
1	0 ... 1
1.6	0 ... 1.6
10	0 ... 10
16	0 ... 16
145	0 ... 145
232	0 ... 232

005	Display unit
	bar
M	MPa
P	psi
006	Pneumatic connection
G18S	G1/8, with sealing ring
G14	G1/4
P10	Cartridge 10 mm
R18	R1/8
007	Measurement accuracy
	2.5 FS
1	1 FS
1.6	1.6 FS
008	Pneumatic connection version
	Standard
R1	Stainless steel
009	Additional display
	None
RG	Red/green scale
010	Certification
	None
CPA	CPA (certification for measuring devices in China)

Datasheet

General technical data



Nominal size of pressure gauge	26	40	50	63
Pneumatic connection	Cartridge 10 mm G1/8 with sealing ring	Cartridge 10 mm G1/4 R1/8	G1/4	
Design	Bourdon tube pressure gauge without measuring mechanism, Bourdon tube pressure gauge	Bourdon tube pressure gauge		
Type of mounting	In-line installation	Front panel mounting In-line installation	Front panel mounting	Front panel mounting In-line installation
Position of connection	Centred, rear side			
Alternating load factor	0.66			
Measurement accuracy class	4, 5	1.6, 2.5	2.5	1, 1.6, 2.5
Degree of protection	IP43, NEMA 4		IP43	IP43, IP65
Conforms to standard	–	EN 837-1		EN 837-1 EN 837-3

Operating and environmental conditions

Nominal size of pressure gauge	26	40	50	63
Operating pressure	0 ... 1.6 MPa			
Operating pressure	0 ... 16 bar			
Operating pressure	0 ... 232 psi			
Operating medium	Inert gases, Neutral fluids			
Note on operating and pilot medium	No acetylene, No oxygen			
Ambient temperature	-20 ... 60°C			-40 ... 60°C
Media temperature	-20 ... 60°C			-40 ... 200°C
Storage temperature	-5 ... 50°C	-40 ... 70°C		

Product weight

Design type	Direct mounting				Front panel mounting			
Nominal size of pressure gauge	26	40	63	40	50	63		
Pneumatic connection	Cartridge 10 mm	G1/8 with sealing ring	Cartridge 10 mm	R1/8	G1/4			
Product weight	15 g	8 g	50 g	60 g	160 g	80 g	100 g	120 g

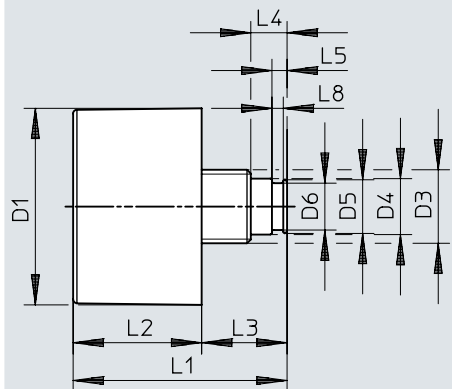
Materials

Nominal size of pressure gauge	26	40	50	63
Material housing	ABS, PA	ABS, PBT	ABS	ABS, High-alloy stainless steel
Material screen	PS	PS, SAN	SAN	PC, SAN
Material screwed plug	ABS, Brass	Brass		Brass, High-alloy stainless steel
Material in contact with the medium	ABS, Brass	Brass		Brass, High-alloy stainless steel
Housing colour	Black			Black, Silver
LABS (PWIS) conformity	VDMA24364-B1/B2-L			VDMA24364-B2-L VDMA24364-B1/B2-L

Dimensions

Dimensions – PAGN-26

Download CAD data → www.festo.com

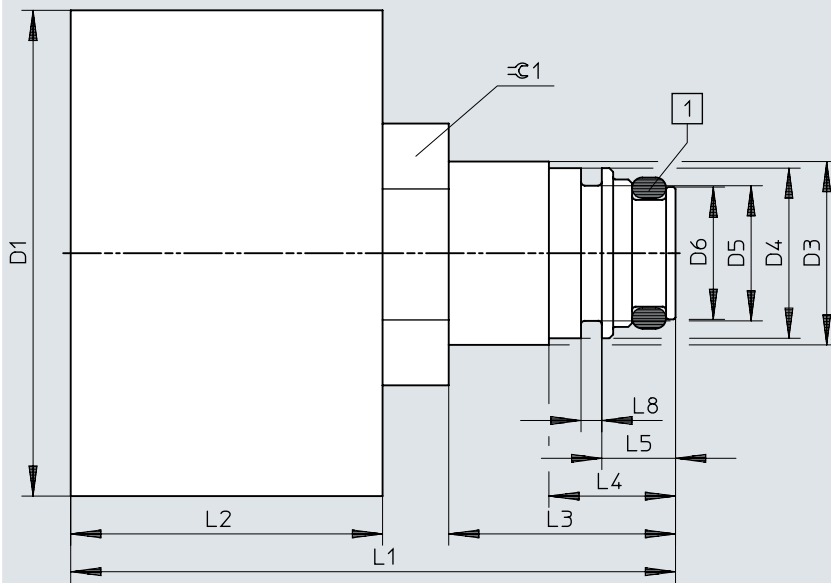


	D1 ∅	D3	D4 ∅ ±0,05	D5 ∅	D6 ∅ ±0,05	L1	L2	L3	L4	L5	L8 ±0,05
PAGN-26-10-G18S	26	G1/8	7.4	7.1	6.2	28.3	17	11.3	4.8	2	1.5
PAGN-26-1M-G18S											

Dimensions

Dimensions – PAGN-26-...-P10

Download CAD data → www.festo.com



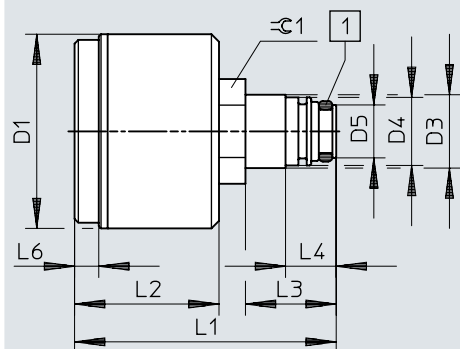
[1] Sealing ring

	D1 ∅	D3 ∅ ±0,1	D4 ∅ ±0,05	D5 ∅ ±0,05	D6 ∅ ±0,1	L1	L2 ±0,5	L3	L4	L5	L8 +0,1	≈ 1
PAGN-26-...-P10	25,7	9,7	9	7,8	7	32	16,5	12	6,7	3,9	1,1	12

Dimensions

Dimensions – PAGN-26-...-P10-RG, with red/green area

Download CAD data → www.festo.com



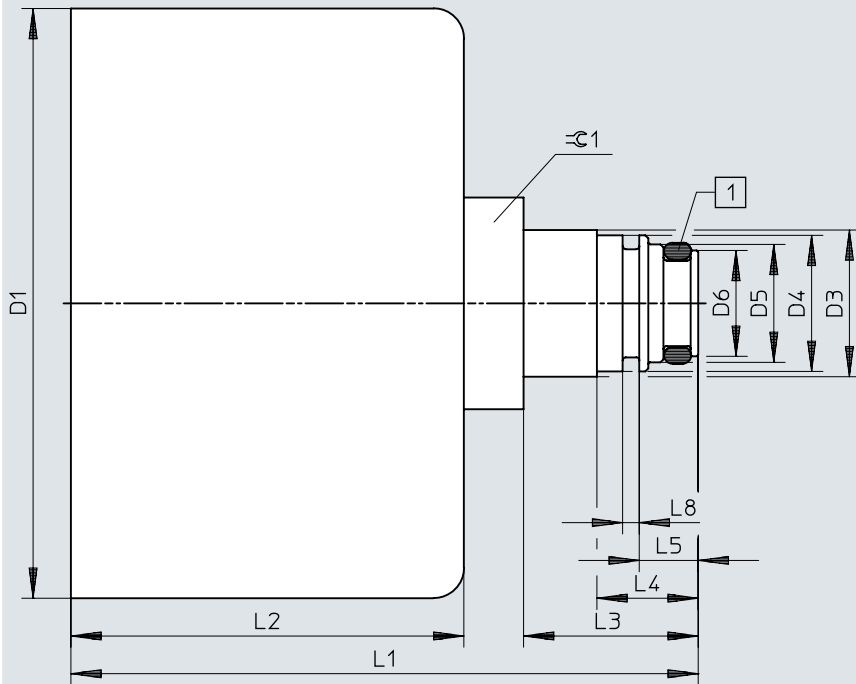
[1] Sealing ring

	D1 ∅ +0,1/-0,2	D3 ∅ ±0,1	D4 ∅ ±0,05	D5 ∅ ±0,1	L1 ±1	L2 ±0,5	L3	L4	L6 ±0,1	≡C 1
PAGN-26-...-P10-RG	25,7	9,7	9	7	34,6	19,1	12	6,7	3,2	12

Dimensions

Dimensions – PAGN-40-...-P10

Download CAD data → www.festo.com



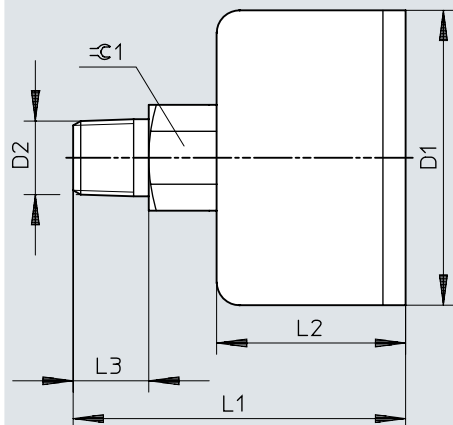
[1] Sealing ring

	D1 ∅	D3 ∅ ±0,1	D4 ∅ ±0,05	D5 ∅ ±0,05	D6 ∅ ±0,1	L1	L2 ±0,5	L3	L4	L5	L8	±0,1	±0,1
PAGN-40-...-P10	39	9,7	9	7,8	7	41,5	26	11,6	6,7	3,9	1,1	14	14

Dimensions

Dimensions – PAGN-40-...-R18

Download CAD data → www.festo.com

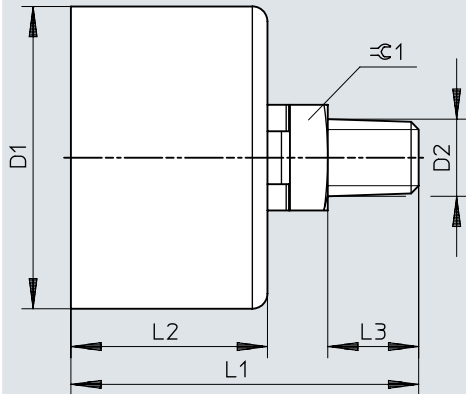


	D1 ∅	D2	L1	L2	L3	≡C 1
PAGN-40-...-R18	39	R1/8	44	25	10	14

Dimensions

Dimensions – PAGN-40-...-1.6

Download CAD data → www.festo.com



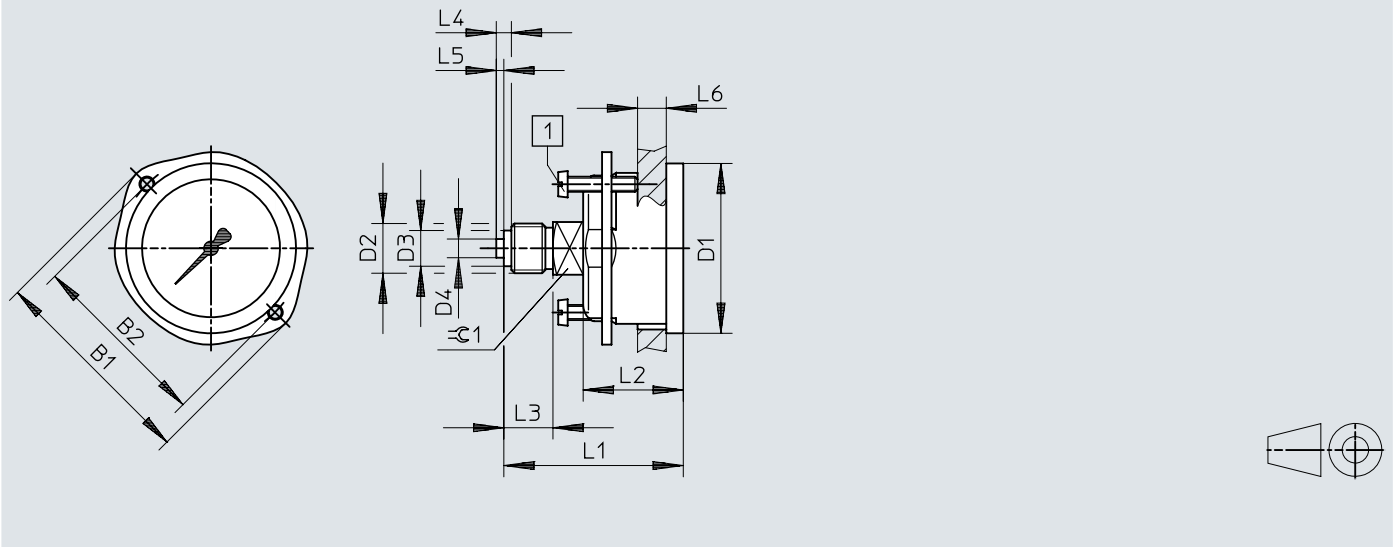
[1] Coated with thread sealant

	D1 ∅	D2	L1	L2	L3	1
PAGN-40-...-1.6	39 +0,1/-0,2	R1/8	44	25 +0,5	10	14

Dimensions

Dimensions – PAGN-P-40

Download CAD data → www.festo.com

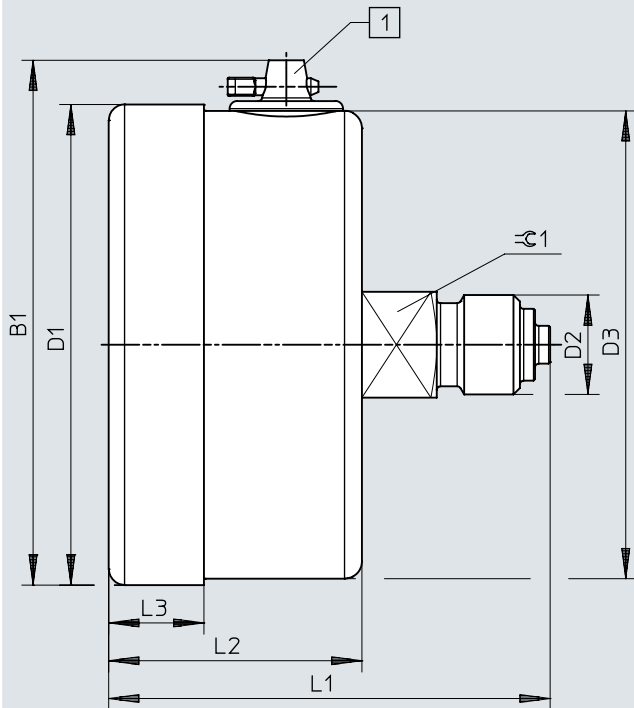


	B1	B2	D1 ∅	D2	D3 ∅	D4 ∅	L1	L2	L3	L4	L5	L6		±0.1
												min.	max.	
PAGN-P-40	56	48	45	G1/4	9,5	5	47,5	26,5	13	4	2	0	15	14

Dimensions

Dimensions – PAGN-63

Download CAD data → www.festo.com



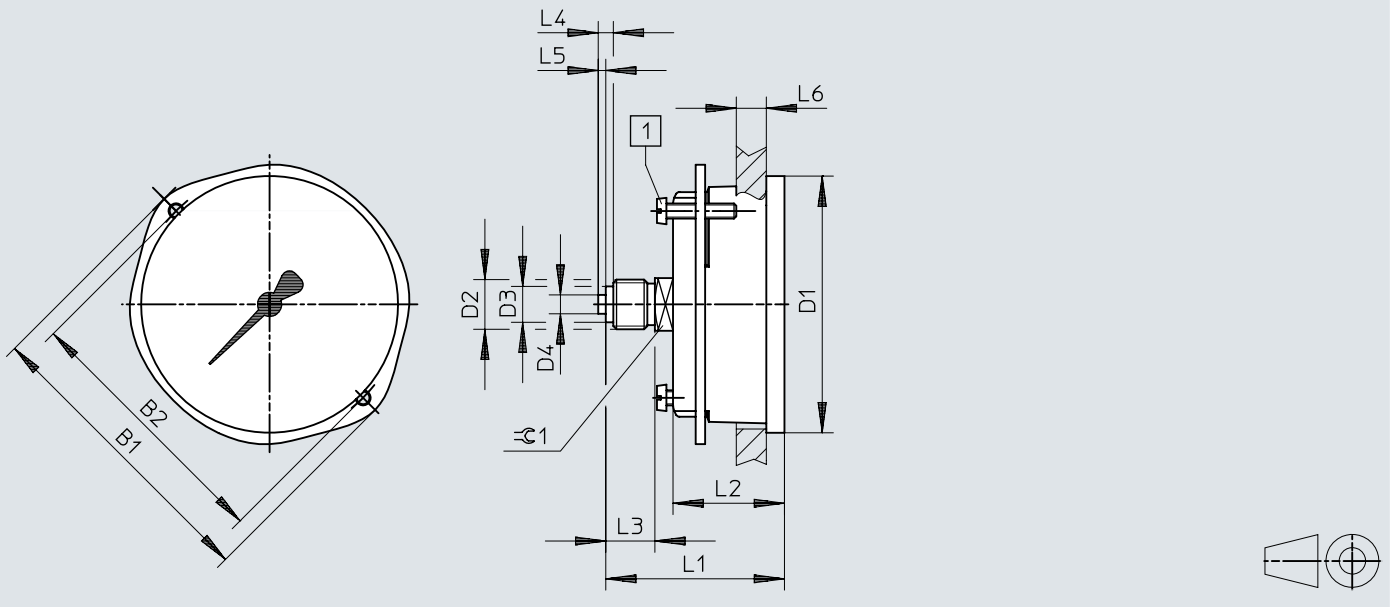
[1] ≤ 16 bar with balancing valve

	B1	D1 ∅	D2	D3 ∅	L1	L2	L3	≙ 1
PAGN-63	69,5	63	G1/4	62	57	33	11,5	14

Dimensions

Dimensions – PAGN-P-50/63

Download CAD data → www.festo.com



[1] Screw M4x20

	B1	B2	D1 ∅	D2	D3 ∅	D4 ∅	L1	L2	L3	L4	L5	L6		≈G 1
												min.	max.	
PAGN-P-50	66	57	54	G1/4	9,5	5	47,8	26,8	13	4	2	0	15	14
PAGN-P-63	79	70	68				47,3	29,5						

Ordering data

Ordering data – Nominal size 27 (cable installation)						
Pneumatic connection	Indicating range	Indicating range	Indicating range	Scale	Part no.	Type
Cartridge 10 mm		0 ... 10 bar	0 ... 145 psi	Double scale, Bar (outside scale), psi (inner scale)	543488	PAGN-26-10-P10
				Double scale, bar (inner scale), psi (outer scale)	563732	PAGN-26-145P-P10
		0 ... 16 bar	0 ... 232 psi	Double scale, Bar (outside scale), psi (inner scale)	543487	PAGN-26-16-P10
				Double scale, bar (inner scale), psi (outer scale)	563731	PAGN-26-232P-P10
	0 ... 1 MPa	0 ... 10 bar	Single scale, MPa (outer scale)	563736	PAGN-26-1M-P10	
			Double scale, MPa (internal), Bar (outside scale)	8090378	PAGN-26-10-P10-RG	
	0 ... 1.6 MPa		Single scale, MPa (outer scale)	563735	PAGN-26-1.6M-P10	
	G1/8 with sealing ring		0 ... 10 bar		Double scale, Bar (outside scale), psi (inner scale)	8088985
0 ... 1 MPa			0 ... 145 psi	Single scale, MPa (outer scale)	8088986	PAGN-26-1M-G18S

Ordering data – Nominal size 40 (cable installation)							
Pneumatic connection ¹⁾	Indicating range	Indicating range	Indicating range	Scale	Part no.	Type	
Cartridge 10 mm		0 ... 10 bar	0 ... 145 psi	Double scale, Bar (outside scale), psi (inner scale)	548009	PAGN-40-10-P10	
				Double scale, bar (inner scale), psi (outer scale)	563734	PAGN-40-145P-P10	
		0 ... 16 bar	0 ... 232 psi	Double scale, Bar (outside scale), psi (inner scale)	548010	PAGN-40-16-P10	
				Double scale, bar (inner scale), psi (outer scale)	563733	PAGN-40-232P-P10	
	0 ... 1 MPa		Single scale, MPa (outer scale)	563738	PAGN-40-1M-P10-CPA		
	0 ... 1.6 MPa			563737	PAGN-40-1.6M-P10-CPA		
	R1/8	0 ... 0.1 MPa	0 ... 10 bar	0 ... 145 psi	Double scale, Bar (outside scale), psi (inner scale)	2849914	PAGN-40-10-R18-1.6
					Single scale, MPa (outer scale)	8178621	PAGN-40-0.1M-R18-1.6-CPA
8178623					PAGN-40-0.4M-R18-1.6-CPA		
8178624					PAGN-40-0.6M-R18-1.6-CPA		
0 ... 0.4 MPa		0 ... 10 bar	0 ... 145 psi	8178622	PAGN-40-1M-R18-1.6-CPA		
0 ... 0.6 MPa				2849916	PAGN-40-1M-R18-1.6		
0 ... 1 MPa				8178625	PAGN-40-1.6M-R18-1.6-CPA		
0 ... 1.6 MPa							

1) CPA: Certification for measuring devices in China

Ordering data – Nominal size 40 (cable installation)				
Pneumatic connection ¹⁾	Indicating range	Scale	Part no.	Type
G1/4	0 ... 1 MPa	Single scale	8178626	PAGN-P-40-1M-G14-CPA
	0 ... 1.6 MPa		8178627	PAGN-P-40-1.6M-G14-CPA

1) CPA: Certification for measuring devices in China

Ordering data

Ordering data – Nominal size 63 (front panel mounting)				
Pneumatic connection ¹⁾	Indicating range	Scale	Part no.	Type
G1/4	0 ... 1 MPa	Single scale	8178628	PAGN-P-50-1M-G14-CPA
	0 ... 1.6 MPa		8178629	PAGN-P-50-1.6M-G14-CPA

1) CPA: Certification for measuring devices in China

Ordering data – Nominal size 63 (cable installation)				
Pneumatic connection	Indicating range	Scale	Part no.	Type
G1/4	0 ... 16 bar	Double scale, Bar (outside scale), psi (inner scale)	8081401	PAGN-63-16-G14-R1-1.6-0.5-V2

Ordering data – Nominal size 63 (front panel mounting)				
Pneumatic connection ¹⁾	Indicating range	Scale	Part no.	Type
G1/4	0 ... 0.1 MPa	Single scale, MPa (outer scale)	8178632	PAGN-P-63-0.1M-G14-1-CPA
	0 ... 0.4 MPa		8178633	PAGN-P-63-0.4M-G14-1-CPA
	0 ... 0.6 MPa		8178634	PAGN-P-63-0.6M-G14-1-CPA
	0 ... 1 MPa		8178630	PAGN-P-63-1M-G14-CPA
	0 ... 1.6 MPa		8178631	PAGN-P-63-1.6M-G14-CPA
			8178635	PAGN-P-63-1.6M-G14-1-CPA

1) CPA: Certification for measuring devices in China