

# Electrical connection technology, for power supply

Technical data – NTSD

- Plug/socket for power supply
- Can be fabricated with any cable lengths
- 4-pin plug socket
- With screw terminals
- Wire cross section of up to 2.5 mm<sup>2</sup>



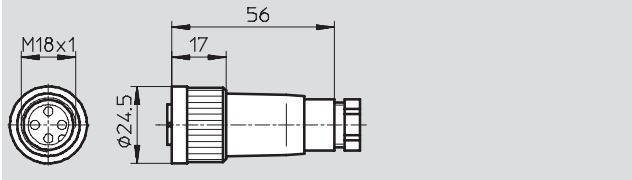
| General technical data        |                         |
|-------------------------------|-------------------------|
| Type                          | NTSD-...                |
| Type of mounting              | M18 union nut           |
| Mounting position             | Any                     |
| Operating voltage range [V]   | 250 AC                  |
| Current-carrying capacity [A] | 16                      |
| Protection class to EN 60 529 | IP67 (assembled)        |
| Material of housing           | Polybuteneterephthalate |
| Material of contacts          | Brass/copper base alloy |
| Storage temperature [°C]      | -20 ... +70             |
| Ambient temperature [°C]      | -5 ... +50              |

| Ordering data |  |                     |                                 |  |                    |                       |          |
|---------------|--|---------------------|---------------------------------|--|--------------------|-----------------------|----------|
|               | Electrical connection                            | Cable gland fitting | Permissible cable diameter [mm] | Max. wire cross section [mm <sup>2</sup> ] | Product weight [g] | Type                  | Part No. |
|               | Socket, straight, 4-pin, screw terminal          | Pg9                 | 6 ... 8                         | 1.5  | 25                 | NTSD-GD-9             | 18 493   |
|               | Socket, straight, 5-pin, screw terminal, B-coded | Pg9                 | 6 ... 8                         | 0.75                                       | 25                 | NTSD-GD-9-M12-5POL-RK | 538 999  |
|               | Socket, straight, 4-pin, screw terminal          | Pg13.5              | 10 ... 12                       | 2.5  | 31                 | NTSD-GD-13,5          | 18 526   |
|               | Socket, angled, 4-pin, screw terminal            | Pg9                 | 6 ... 8                         | 1.5  | 30                 | NTSD-WD-9             | 18 527   |
|               | Socket, angled, 4-pin, screw terminal            | Pg11                | 5 ... 11                        | 2.5  | 34                 | NTSD-WD-11            | 533 119  |

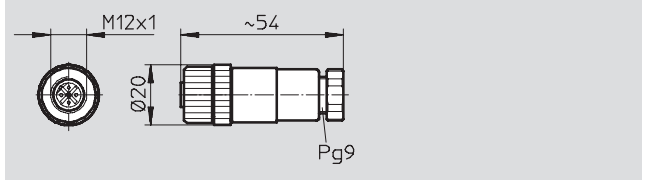
**Dimensions**

Download CAD data → [www.festo.com](http://www.festo.com)

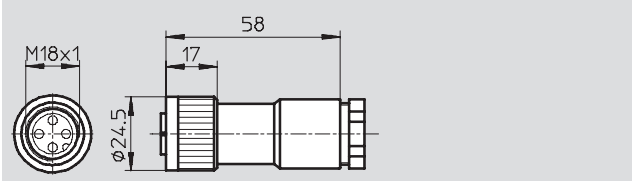
**NTSD-GD-9**



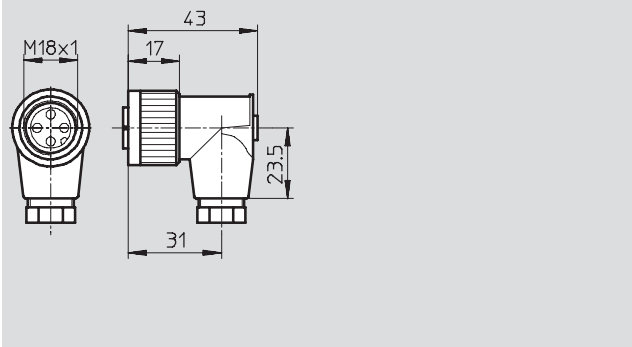
**NTSD-GD-9-M12-5POL-RK**



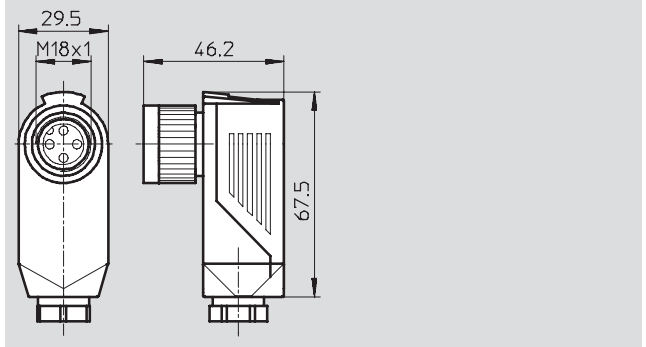
**NTSD-GD-13,5**



**NTSD-WD-9**



**NTSD-WD-11**



# Festo - Your Partner in Automation



**1 Festo Inc.**  
5300 Explorer Drive  
Mississauga, ON L4W 5G4  
Canada

**Festo Customer Interaction Center**  
Tel: 1 877 463 3786  
Fax: 1 877 393 3786  
Email: [customer.service.ca@festo.com](mailto:customer.service.ca@festo.com)



**2 Festo Pneumatic**  
Av. Ceylán 3,  
Col. Tequesquináhuac  
54020 Tlalnepantla,  
Estado de México

**Multinational Contact Center**  
01 800 337 8669  
[ventas.mexico@festo.com](mailto:ventas.mexico@festo.com)



**3 Festo Corporation**  
1377 Motor Parkway  
Suite 310  
Islandia, NY 11749

**Festo Customer Interaction Center**  
1 800 993 3786  
1 800 963 3786  
[customer.service.us@festo.com](mailto:customer.service.us@festo.com)



**4 Regional Service Center**  
7777 Columbia Road  
Mason, OH 45040

Connect with us



[www.festo.com/socialmedia](http://www.festo.com/socialmedia)



[www.festo.com](http://www.festo.com)

Subject to change