

Push-in fittings NPQM

FESTO



Key features

Application



Choosing the right fitting is effortless. With a system that includes well over 1000 types of standard and function fittings, Festo offers a secure solution for every connection.

Summary of tubing/fitting combinations

| Applications | Fitting | Tubing | Description |
|--|------------------------|--------------|---|
| Standard | QS | PEN | Suitable for a wide range of tasks and attractively priced. Flexible thanks to highly resistant materials, easy to install thanks to optimised bending radii. High level of abrasion resistance in dynamic applications. |
| | QS | PUN | Maximum flexibility in standard applications thanks to an extremely wide range of options for combining the different types. |
| | QS | PAN | Meets all requirements, even for standard applications with increased pressure and temperature ranges. |
| High pressures | NPQM | PAN-MF | Meets DIN standard 73378: ideal for use in mobile pneumatics. Suitable for increased temperature ranges combined with high pressure ranges. |
| | NPQH | PAN-R | Powerful in pressure ranges up to 20 bar, for example in applications with the pressure booster DPA. |
| | NPQR | PUN-H-SF | Use in areas with higher pressure ranges and humidity. Tubing PUN-H-SF is resistant to kinking and hydrolysis and is suitable for water applications. |
| Resistant to chemicals and hydrolysis | NPQP | PLN | Resistant to cleaning agents, FDA-compliant and economical. Can be used instead of the combination with stainless steel fittings. |
| | NPKA | PUN-H | Hydrolysis-resistant and suitable for water applications. Combination suitable for use in cleanrooms, FDA-compliant and corrosion-resistant because it's 100% polymer. Very easy to install with the "one-click principle". |
| | NPQR | PFAN/PTFEN | Optimised design, fewer edges where dirt can collect – all at an attractive price. For high temperatures up to 150 °C. Pressure range up to 16 bar. Maximum corrosion resistance (CRC 4). |
| | NPCK | PFAN/PTFEN | Easy to clean thanks to the union nut's edge-free design. Maximum corrosion resistance (CRC 4) and FDA-compliant. Suitable for a wide range of media. |
| | CRQS | PFAN/PTFEN | Maximum corrosion resistance (CRC 4) and maximum resistance to aggressive acids and alkalis. |
| Resistant to chemicals and hydrolysis, food-safe | NPQR | PUN-H-F/PFAN | Food-safe to Regulation (EC) No. 1935/2004 and FDA-listed materials. Can be used in the food and packaging industry in combination with PUN-H-F and PFAN. |
| | NPQH | PFAN/PTFEN | For high temperatures up to 150 °C. Food-safe to Regulation (EC) No. 1935/2004, FDA-listed materials and resistant to cleaning agents. |
| Antistatic | NPQM | PUN-CM | Anti-static tubing plus solid metal fitting: maximum protection for electric and electronic components. |
| Flame-retardant | NPQM | PUN-V0 | Very safe in areas where there is a risk of fire thanks to flame-retardant properties. The tubing has been tested to DIN 5510-2. |
| Resistant to welding spatter | NPQH | PUN-V0-C | Ideal for applications involving welding spatter. Reliable thanks to a tubing wall thickness of 2 mm for all diameters. |
| | QS-V0 | PAN-V0 | Safe even in the immediate vicinity of welding spatter thanks to double-walled tubing with special fitting. |
| Battery production | NPQE-F1A ¹⁾ | PUN-H | Suitable for battery production areas. |

1) F1A = Free of copper, zinc and nickel

Key features

Push-in fittings – Product range

QSM, mini series

Datasheets → Internet: qsm



Compact push-in fittings for maximum component density in confined spaces. For pneumatic applications with a temperature range up to 80 °C and a pressure range up to 14 bar. Tubing O.D. of 2, 3, 4 and 6 mm with connecting threads M3, M5, M6, M7, R1/8 and G1/8.

QS, standard series

Datasheets → Internet: qs



Wide selection of push-in fittings for pneumatic applications with a temperature range up to 80 °C and a pressure range up to 14 bar. Tubing O.D. of 4, 6, 8, 10, 12, 16 and 22 mm with connecting thread R1/8 ... R1/2 and G1/8 ... G3/4.

CRQS, stainless steel

Datasheets → Internet: crqs



Stainless steel push-in fitting. Maximum corrosion resistance CRC 4 and chemical resistance with approval for use in the food and packaging industry. For pneumatic applications with a temperature range up to 120 °C and a pressure range up to 10 bar. Tubing O.D. of 4, 6, 8, 10, 12 and 16 mm with connecting thread M5 and R1/8 ... R1/2.

QS-V0, resistant to welding spatter

Datasheets → Internet: qs-v0



Flame-retardant push-in fitting for use in all areas where there is a risk of fire, for example welding systems in the automotive industry, and in the construction industry. For pneumatic applications with a temperature range up to 60 °C and a pressure range up to 10 bar. Tubing O.D. of 4, 6, 8, 10 and 12 mm with connecting thread R1/8 ... R1/2 and G1/8 ... G1/2.

NPQH

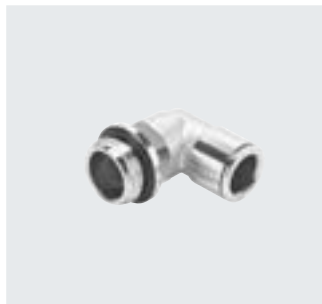
Datasheets → Internet: npqh



All metal push-in fitting made of chemically nickel-plated brass. High corrosion resistance CRC3 and chemical resistance. For pneumatic applications with a temperature range up to 150 °C and a pressure range up to 20 bar. Tubing O.D. of 4, 6, 8, 10, 12 and 14 mm with connecting thread M5, M7 and G1/8 ... G1/2.

NPQM

Datasheets → Internet: npqm



Attractively priced metal push-in fitting for pneumatic applications with a temperature range up to 70 °C and a pressure range up to 16 bar. Tubing O.D. of 3, 4, 6, 8, 10, 12 and 14 mm with connecting thread M5, M7 and G1/8... G1/2.

NPQP

Datasheets → Internet: npqp



Polypropylene fitting for use in applications with extreme media influences. For pneumatic applications with a temperature range up to 60 °C and a pressure range up to 10 bar. Tubing O.D. of 4, 6, 8, 10 and 12 mm with connecting thread R1/8 ... R1/2.

NPQR, stainless steel

Datasheets → Internet: npqr



Stainless steel push-in fitting. Maximum corrosion resistance CRC 4 and chemical resistance. For pneumatic applications with a temperature range up to 150 °C and a pressure range up to 16 bar. Tubing O.D. of 4, 6, 8, 10 and 12 mm with connecting thread M5, M7 and G1/8 ... G1/2.

Key features

Functional push-in fittings – Product range

QSK,
push-in fitting, self-sealing

Datasheets → Internet: qsk



Push-in fitting blocks the air flow after the tubing is disconnected. For pneumatic applications with a temperature range up to 60 °C and a pressure range up to 14 bar.
Tubing O.D. of 4, 6, 8, 10 and 12 mm with connecting thread M5, R1/8 ... R1/2 and G1/8 ... G1/2.

QSR,
push-in fitting, rotatable

Datasheets → Internet: qsr



Push-in fitting with swivel joint, rotatable by 360°. The ball bearing enables rotating movements in the application up to max. 500 rpm. For pneumatic applications with a temperature range up to 60°C and a pressure range up to 14 bar.
Tubing O.D. of 4, 6, 8, 10 and 12 mm with connecting thread M5, R1/8 ... R1/2 and G1/8 ... G1/2.

Quick connectors – Product range

NPCK

Datasheets → Internet: npck



Stainless steel fitting for use in areas subject to intensive cleaning. Maximum corrosion resistance CRC 4. For pneumatic applications with a temperature range up to 120 °C and a pressure range up to 12 bar.
Tubing O.D. of 6 mm with connecting thread G1/8.

Click fittings – Product range

NPKA

Datasheets → Internet: npka



Polymer fitting for easy installation with one hand. Hydrolysis-resistant, FDA-compliant and easy to clean. For pneumatic applications with a temperature range up to 60 °C and a pressure range up to 10 bar.
Tubing O.D. of 6 mm with connecting thread G1/8.

Technical data

General technical data

| | |
|----------------------------------|--------------------------------|
| Size | Standard |
| Design | Push-pull principle |
| Type of seal on the screwed plug | Sealing ring |
| Nominal tightening torque [Nm] | 1 ±20% for M5 male thread |
| | 3 ±20% for M7 male thread |
| | 6 ±20% with G1/8 male thread |
| | 7.5 ±20% with G1/4 male thread |
| | 9 ±20% with G3/8 male thread |
| | 9 ±20% with G1/2 male thread |

Operating and environmental conditions

| | | |
|---|---|------------------|
| Operating pressure for entire temperature range | [MPa] | -0.095 ... +1.6 |
| | [bar] | -0.95 ... +16 |
| | [psi] | -13.775 ... +232 |
| Operating medium | Compressed air to ISO 8573-1:2010 [7:-;-] | |
| Note on the operating/pilot medium | Lubricated operation possible | |
| Ambient temperature [°C] | -20 ... +70 | |
| Corrosion resistance class CRC ¹⁾ | 1 - Low corrosion stress | |

1) More information: www.festo.com/x/topic/crc

Materials

| Type | NPQM | NPQM-H | NPQM-LK/LH/LFK |
|------------------------|---------------------|---------------------|---------------------|
| Housing | Nickel-plated brass | | |
| Nut | - | Nickel-plated brass | - |
| Hollow bolt | - | - | Nickel-plated brass |
| Tubing seal | NBR | | |
| Note on materials | RoHS-compliant | | |
| LABS (PWIS) conformity | VDMA24364-B1/B2-L | | |

Tube mounting/dismounting

Mounting

The prerequisite for ensuring that the inner seal is securely held and protected against damage is that the tube is cut into straight lengths and deburred.

- 1) Insert tubing as far as the stop.
It is important to ensure that the tubing is inserted into the inner seal. Depending on the tolerance between the tubing and the seal, the contact of the tubing with the seal may be wrongly interpreted as the stop.
- 2) Check that the tubing connection is secure by pulling gently on the tube.

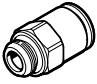
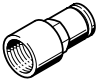

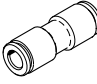
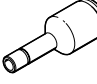
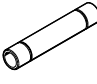

Note

When using a push-in sleeve as a quick coupling plug, the only way to guarantee an optimal and secure connection is by using products from the same series. In other words, a push-in sleeve NPQM may only be used with a push-in connector NPQM. The slot of the push-in sleeve must engage securely in the counterpart.





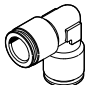

Dismantling

- 1) The tubing can be detached easily by pressing and holding down the releasing ring. Carefully remove the tubing from the fitting.
- 2) Before re-using the tubing, remove the damaged part by cutting it off.

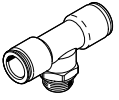
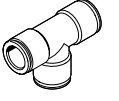
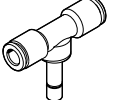
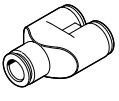
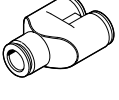
Product range overview

| Design | Version | Type | Connection D1 | | | | Connection D2 | | | → Page |
|---|---|---------|---------------|----------|------------------------------|-------------------------------|------------------|--|---|--------|
| | | | M thread | R thread | G thread | Tubing O.D. | Push-in sleeve ø | Tubing O.D. | Push-in sleeve ø | |
| Straight shape | Push-in fitting – Male thread with internal/external hex | | | | | | | | | |
| |  | NPQM-D | – | – | G1/8 G1/4 G3/8 G1/2 | – | – | 4, 6, 8 6, 8, 10, 12 8, 10, 12, 14 10, 12, 14 | – | 9 |
| | Push-in fitting – Female thread with external hex | | | | | | | | | |
| |  | NPQM-D | – | – | G1/8 G1/4 | – | – | 4, 6, 8 6, 8, 10 | – | 10 |
| | Push-in fitting – Male thread with internal hex | | | | | | | | | |
| |  | NPQM-DK | M5 M7 | – | – | – | – | 4, 6 4, 6 | – | 10 |
| | Push-in connector | | | | | | | | | |
| |  | NPQM-D | – | – | – | 4 6 8 10 12 14 | – | 4 6 8 10 12 14 | – | 11 |
| | Push-in connector with push-in sleeve | | | | | | | | | |
| |  | NPQM-D | – | – | – | 4 6 8 10 12 | – | – | 6, 8 4, 8, 10, 12, 14 6, 10, 12, 14 12, 14 14 | 11 |
| Push-in sleeve | | | | | | | | | | |
|  | NPQM-D | – | – | – | – | 4 6 8 10 12 14 | – | 4 6 8 10 12 14 | 12 | |
| Push-in bulkhead connector | | | | | | | | | | |
|  | NPQM-H | – | – | – | 4 6 8 10 12 | – | – | – | 12 | |

Product range overview

| Design | Version | Type | Connection D1 | | | | Connection D2 | | | → Page |
|---|---|---------|---------------|----------|----------|-------------|------------------|-------------|------------------|--------|
| | | | M thread | R thread | G thread | Tubing O.D. | Push-in sleeve ø | Tubing O.D. | Push-in sleeve ø | |
| L-shape | Push-in L-fitting – Male thread with external hex | | | | | | | | | |
| |  | NPQM-L | M5 | – | – | – | – | 4, 6 | – | 13 |
| | | | – | – | – | – | 4, 6, 8 | – | | |
| | | | – | – | – | – | 6, 8, 10, 12 | – | | |
| | | | – | – | – | – | 8, 10, 12, 14 | – | | |
| | | | – | – | – | – | 10, 12, 14 | – | | |
| | Push-in L-fitting – Male thread with internal hex | | | | | | | | | |
| |  | NPQM-LK | M5 | – | – | – | – | 3, 4 | – | 14 |
| | | | – | – | – | – | 4, 6, 8 | – | | |
| | | | – | – | – | – | 6, 8, 10 | – | | |
| | – | | – | – | – | 10 | – | | | |
| Push-in L-fitting – Male thread with external hex | | | | | | | | | | |
|  | NPQM-LH | M5 | – | – | – | – | 4, 6 | – | 15 | |
| | | – | – | – | – | 4, 6, 8 | – | | | |
| | | – | – | – | – | 6, 8 | – | | | |
| | | – | – | – | – | 8, 10, 12 | – | | | |
| 2x multiple distributor – Male thread with internal hex | | | | | | | | | | |
|  | NPQM-LFK | – | – | G1/8 | – | – | 4, 6, 8 | – | 16 | |
| | | – | – | G1/4 | – | – | 6, 8 | – | | |
| Push-in L-connector | | | | | | | | | | |
|  | NPQM-L | – | – | – | 4 | – | 4 | – | 17 | |
| | | – | – | – | 6 | – | 6 | – | | |
| | | – | – | – | 8 | – | 8 | – | | |
| | | – | – | – | 10 | – | 10 | – | | |
| | | – | – | – | 12 | – | 12 | – | | |
| | | – | – | – | 14 | – | 14 | – | | |
| Push-in L-connector with push-in sleeve | | | | | | | | | | |
|  | NPQM-L | – | – | – | 4 | – | – | 4 | 17 | |
| | | – | – | – | 6 | – | – | 6 | | |
| | | – | – | – | 8 | – | – | 8 | | |
| | | – | – | – | 10 | – | – | 10 | | |

Product range overview

| Design | Version | Type | Connection D1 | | | | | Connection D2 | | → Page |
|---|--|--------|---------------|----------|----------|-------------|------------------------------|---------------|------------------------------|--------|
| | | | M thread | R thread | G thread | Tubing O.D. | Push-in sleeve \varnothing | Tubing O.D. | Push-in sleeve \varnothing | |
| T-shape | Push-in T-fitting – Male thread with external hex | | | | | | | | | |
| |  | NPQM-T | – | – | G1/8 | – | – | 4, 6, 8 | – | 18 |
| | | | | | G1/4 | | | 6, 8, 10 | | |
| | | | | | G3/8 | | | 8, 10, 12 | | |
| G1/2 | | | | | 12 | | | | | |
| Push-in T-connector | | | | | | | | | | |
|  | NPQM-T | – | – | – | 4 | – | – | 4 | – | 19 |
| | | | | | 6 | | | 6 | | |
| | | | | | 8 | | | 8 | | |
| | | | | | 10 | | | 10 | | |
| | | | | | 12 | | | 12 | | |
| | | | | | 14 | | | 14 | | |
| Push-in T-connector with push-in sleeve | | | | | | | | | | |
|  | NPQM-T | – | – | – | 4 | – | – | 4 | 19 | |
| | | | | | 6 | | | 6 | | |
| | | | | | 8 | | | 8 | | |
| | | | | | 10 | | | 10 | | |
| Y-shape | Push-in Y-connector | | | | | | | | | |
| |  | NPQM-Y | – | – | – | 4 | – | – | 4 | 20 |
| 6 | | | | | | 6 | | | | |
| 8 | | | | | | 8 | | | | |
| 10 | | | | | | 10 | | | | |
| 12 | | | | | | 12 | | | | |
|  | NPQM-Y Reducing | – | – | – | 6 | – | – | 4 | 20 | |
| | | | | | 8 | | | 6 | | |
| | | | | | 10 | | | 8 | | |

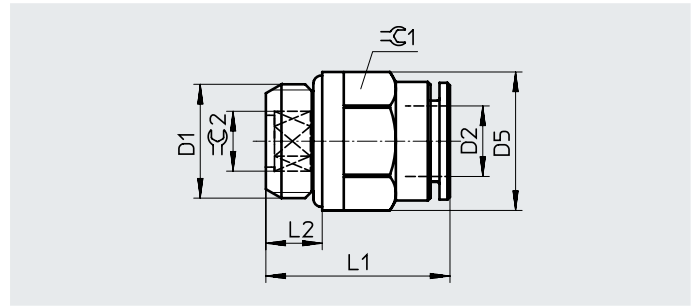
Datasheet

Push-in fitting NPQM-D

Male thread with internal/external hex

Design:

Straight shape



Dimensions and ordering data

| Connection | Nominal width [mm] | Tubing O.D. D2 | D5 \varnothing | L1 | L2 | $\varnothing 1$ | $\varnothing 2$ | Weight/ piece [g] | Part no. | Type | PU ¹⁾ |
|-----------------------------------|--------------------|----------------|------------------|------|-----|-----------------|-----------------|-------------------|----------|--------------------|------------------|
| G thread with sealing ring | | | | | | | | | | | |
| G1/8 | 3.0 | 4 | 13.0 | 16.5 | 5.0 | 9 | 3 | 6.1 | 558661 | NPQM-D-G18-Q4-P10 | 10 |
| | 4.0 | 6 | 13.5 | 19.5 | 5.0 | 12 | 4 | 9.0 | 558662 | NPQM-D-G18-Q6-P10 | 10 |
| | 6.0 | 8 | 13.0 | 23.5 | 5.0 | 13 | 6 | 11.4 | 558663 | NPQM-D-G18-Q8-P10 | 10 |
| G1/4 | 4.0 | 6 | 16.0 | 19.5 | 6.5 | 12 | 4 | 12.7 | 558664 | NPQM-D-G14-Q6-P10 | 10 |
| | 6.0 | 8 | 16.0 | 21.5 | 6.5 | 14 | 6 | 13.6 | 558665 | NPQM-D-G14-Q8-P10 | 10 |
| | 8.0 | 10 | 16.0 | 27.5 | 6.5 | 15 | 8 | 17.4 | 558666 | NPQM-D-G14-Q10-P10 | 10 |
| | 8.0 | 12 | 16.0 | 28.5 | 6.5 | 19 | 8 | 26.2 | 558667 | NPQM-D-G14-Q12-P10 | 10 |
| G3/8 | 6.0 | 8 | 20.0 | 21.0 | 7.0 | 14 | 6 | 20.1 | 558668 | NPQM-D-G38-Q8-P10 | 10 |
| | 8.0 | 10 | 20.0 | 25.0 | 7.0 | 16 | 8 | 22.6 | 558669 | NPQM-D-G38-Q10-P10 | 10 |
| | 10.0 | 12 | 20.0 | 28.5 | 7.0 | 19 | 10 | 28.9 | 558670 | NPQM-D-G38-Q12-P10 | 10 |
| | 10.0 | 14 | 20.0 | 32.0 | 7.0 | 22 | 10 | 37.5 | 570450 | NPQM-D-G38-Q14-P10 | 1 |
| G1/2 | 8.0 | 10 | 25.0 | 25.5 | 8.5 | 16 | 8 | 34.5 | 558671 | NPQM-D-G12-Q10-P10 | 10 |
| | 10.0 | 12 | 25.0 | 26.5 | 8.5 | 19 | 10 | 36.1 | 558672 | NPQM-D-G12-Q12-P10 | 10 |
| | 12.0 | 14 | 25.0 | 32.0 | 8.5 | 22 | 12 | 42.4 | 570451 | NPQM-D-G12-Q14-P10 | 1 |

1) Packaging unit.

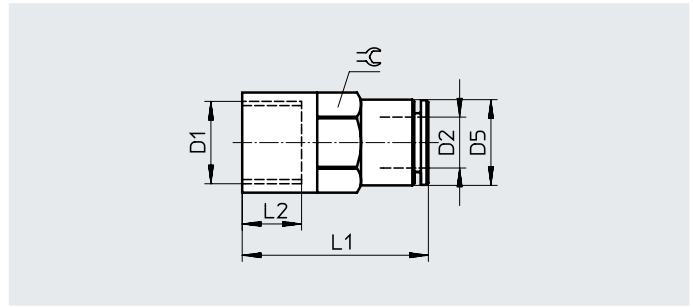
Datasheet

Push-in fitting NPQM-D

Female thread with external hex

Design:

Straight shape



Dimensions and ordering data

| Connection | Nominal width [mm] | Tubing O.D. | D5 ∅ | L1 | L2 | ⌀ | Weight/ piece [g] | Part no. | Type | PU ¹⁾ |
|-----------------|--------------------|-------------|---------|------|------|----|----------------------|----------|---------------------|------------------|
| D1 | | D2 | | | | | | | | |
| G thread | | | | | | | | | | |
| G1/8 | 3.0 | 4 | 9.0 | 23.5 | 7.5 | 9 | 10.0 | 558674 | NPQM-D-G18F-Q4-P10 | 10 |
| | 5.0 | 6 | 12.0 | 26.0 | 7.5 | 12 | 15.1 | 558675 | NPQM-D-G18F-Q6-P10 | 10 |
| | 7.0 | 8 | 14.0 | 26.0 | 7.5 | 14 | 17.5 | 558676 | NPQM-D-G18F-Q8-P10 | 10 |
| G1/4 | 5.0 | 6 | 12.0 | 30.0 | 11.0 | 12 | 18.5 | 558678 | NPQM-D-G14F-Q6-P10 | 10 |
| | 7.0 | 8 | 14.0 | 30.0 | 11.0 | 14 | 20.2 | 558679 | NPQM-D-G14F-Q8-P10 | 10 |
| | 9.0 | 10 | 16.0 | 32.0 | 11.0 | 16 | 24.4 | 558680 | NPQM-D-G14F-Q10-P10 | 10 |

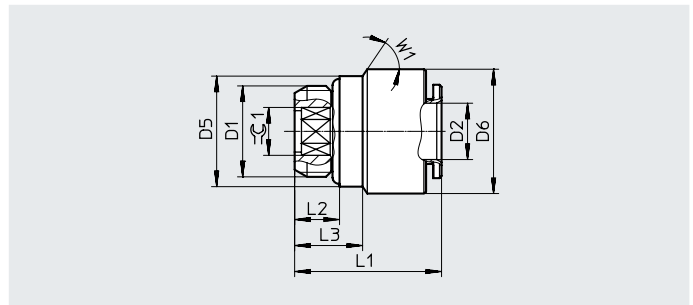
1) Packaging unit.

Push-in fitting NPQM-DK

Male thread with internal hex

Design:

Straight shape



Dimensions and ordering data

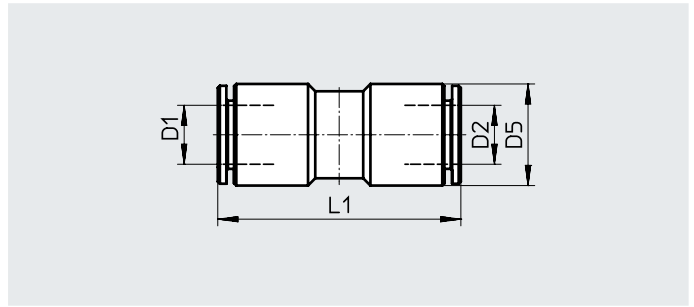
| Connection | Nominal width [mm] | Tubing O.D. | D5 ∅ | D6 ∅ | L1 | L2 | ⌀ | Weight/ piece [g] | Part no. | Type | PU ¹⁾ |
|--|--------------------|-------------|---------|---------|------|-----|-----|----------------------|----------|-------------------|------------------|
| D1 | | D2 | | | | | | | | | |
| Metric thread with sealing ring | | | | | | | | | | | |
| M5 | 2.5 | 4 | 8.0 | 9.0 | 19.0 | 4.0 | 2.5 | 4.6 | 558657 | NPQM-DK-M5-Q4-P10 | 10 |
| | 2.5 | 6 | 8.0 | 12.0 | 22.0 | 4.0 | 2.5 | 8.6 | 558658 | NPQM-DK-M5-Q6-P10 | 10 |
| M7 | 3.0 | 4 | 9.0 | 9.0 | 20.0 | 5.0 | 3.0 | – | 558659 | NPQM-DK-M7-Q4-P10 | 10 |
| | 3.0 | 6 | 9.0 | 12.0 | 23.0 | 5.0 | 3.0 | – | 558660 | NPQM-DK-M7-Q6-P10 | 10 |

1) Packaging unit.

Datasheet

Push-in connector NPQM-D

Design:
Straight shape



Dimensions and ordering data

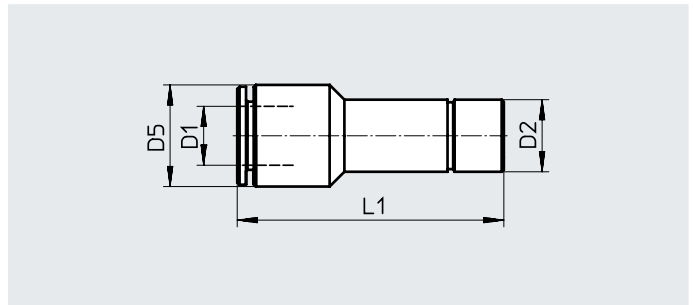
| Tubing O.D. | Nominal width | Tubing O.D. | D5 | L1 | Weight/ piece | Part no. | Type | PU ¹⁾ |
|-------------|---------------|-------------|------|------|---------------|----------|------------------|------------------|
| D1 | [mm] | D2 | ∅ | | [g] | | | |
| 4 | 3.0 | 4 | 9.0 | 28.0 | 6.8 | 558760 | NPQM-D-Q4-E-P10 | 10 |
| 6 | 5.0 | 6 | 12.0 | 33.5 | 15.0 | 558761 | NPQM-D-Q6-E-P10 | 10 |
| 8 | 7.0 | 8 | 14.0 | 34.0 | 18.0 | 558762 | NPQM-D-Q8-E-P10 | 10 |
| 10 | 9.0 | 10 | 16.0 | 38.5 | 22.5 | 558763 | NPQM-D-Q10-E-P10 | 10 |
| 12 | 11.0 | 12 | 19.0 | 41.0 | 36.6 | 558764 | NPQM-D-Q12-E-P10 | 10 |
| 14 | 13.0 | 14 | 22.0 | 47.0 | 47.4 | 570452 | NPQM-D-Q14-E-P10 | 1 |

1) Packaging unit.

Push-in connector NPQM-D

With push-in sleeve

Design:
Straight shape



Dimensions and ordering data

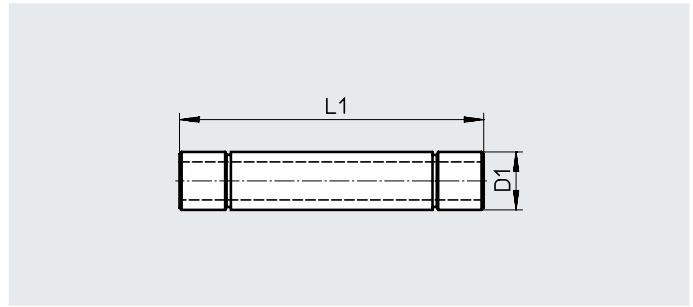
| Tubing O.D. | Nominal width | Push-in sleeve | D5 | L1 | Weight/ piece | Part no. | Type | PU ¹⁾ |
|-------------|---------------|----------------|------|------|---------------|----------|--------------------|------------------|
| D1 | [mm] | ∅ D2 | ∅ | | [g] | | | |
| 4 | 3.0 | 6 | 9.0 | 33.5 | 7.0 | 558765 | NPQM-D-Q4-S6-P10 | 10 |
| | 3.5 | 8 | 9.0 | 33.5 | 10.0 | 558766 | NPQM-D-Q4-S8-P10 | 10 |
| 6 | 2.5 | 4 | 12.0 | 35.5 | 10.0 | 558767 | NPQM-D-Q6-S4-P10 | 10 |
| | 5.0 | 8 | 12.0 | 35.0 | 11.5 | 558768 | NPQM-D-Q6-S8-P10 | 10 |
| | 5.5 | 10 | 12.0 | 36.5 | 15.5 | 558769 | NPQM-D-Q6-S10-P10 | 10 |
| | 5.5 | 12 | 12.0 | 35.5 | 22.2 | 558770 | NPQM-D-Q6-S12-P10 | 10 |
| | 5.0 | 14 | 14.0 | 37.5 | 25.0 | 570457 | NPQM-D-Q6-S14-P10 | 1 |
| 8 | 4.0 | 6 | 14.0 | 39.5 | 13.5 | 558771 | NPQM-D-Q8-S6-P10 | 10 |
| | 7.0 | 10 | 14.0 | 37.0 | 15.0 | 558772 | NPQM-D-Q8-S10-P10 | 10 |
| | 7.0 | 12 | 14.0 | 39.0 | 23.0 | 558773 | NPQM-D-Q8-S12-P10 | 10 |
| | 7.0 | 14 | 14.0 | 38.5 | 31.5 | 570458 | NPQM-D-Q8-S14-P10 | 1 |
| 10 | 9.0 | 12 | 16.0 | 42.0 | 20.0 | 558774 | NPQM-D-Q10-S12-P10 | 10 |
| | 9.0 | 14 | 16.0 | 42.0 | 29.5 | 570456 | NPQM-D-Q10-S14-P10 | 1 |
| 12 | 11.0 | 14 | 19 | 43.0 | 24 | 570459 | NPQM-D-Q12-S14-P10 | 1 |

1) Packaging unit.

Datasheet

Push-in sleeve NPQM-D

Design:
Straight shape



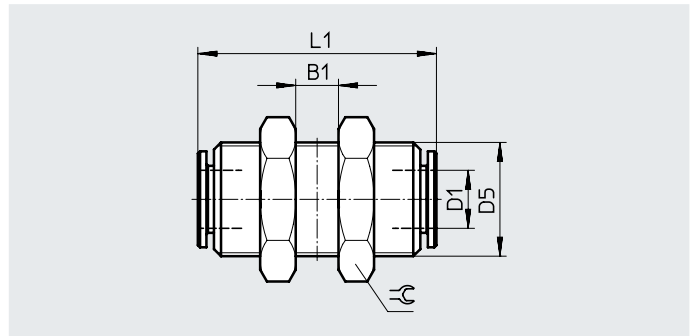
Dimensions and ordering data

| Push-in sleeve ø D1 | Nominal width [mm] | L1 | Weight/ piece [g] | Part no. | Type | PU ¹⁾ |
|---------------------------|--------------------------|------|-------------------------|----------|------------------|------------------|
| 4 | 2.0 | 35.0 | 2.8 | 558811 | NPQM-D-S4-E-P10 | 10 |
| 6 | 4.0 | 40.0 | 5.5 | 558812 | NPQM-D-S6-E-P10 | 10 |
| 8 | 6.0 | 42.0 | 7.5 | 558813 | NPQM-D-S8-E-P10 | 10 |
| 10 | 8.0 | 50.0 | 11.0 | 558814 | NPQM-D-S10-E-P10 | 10 |
| 12 | 10.0 | 53.0 | 14.0 | 558815 | NPQM-D-S12-E-P10 | 10 |
| 14 | 12.0 | 54.0 | 18.5 | 570455 | NPQM-D-S14-E-P10 | 1 |

1) Packaging unit.

Push-in bulkhead connector NPQM-H

Design:
Bulkhead



Dimensions and ordering data

| Tubing O.D. D1 | Nominal width [mm] | D5 | B1 | L1 | ⌀ | Weight/ piece [g] | Part no. | Type | PU ¹⁾ |
|-------------------|--------------------------|-------|------|------|----|-------------------------|----------|------------------|------------------|
| 4 | 3.0 | M12x1 | 11.0 | 28.0 | 16 | 23.5 | 558806 | NPQM-H-Q4-E-P10 | 10 |
| 6 | 5.0 | M14x1 | 16.0 | 34.0 | 18 | 33.0 | 558807 | NPQM-H-Q6-E-P10 | 10 |
| 8 | 7.0 | M16x1 | 17.0 | 34.0 | 20 | 39.5 | 558808 | NPQM-H-Q8-E-P10 | 10 |
| 10 | 9.0 | M18x1 | 19.0 | 39.0 | 22 | 51.5 | 558809 | NPQM-H-Q10-E-P10 | 10 |
| 12 | 11.0 | M20x1 | 20.0 | 41.0 | 24 | 60.0 | 558810 | NPQM-H-Q12-E-P10 | 10 |

1) Packaging unit.

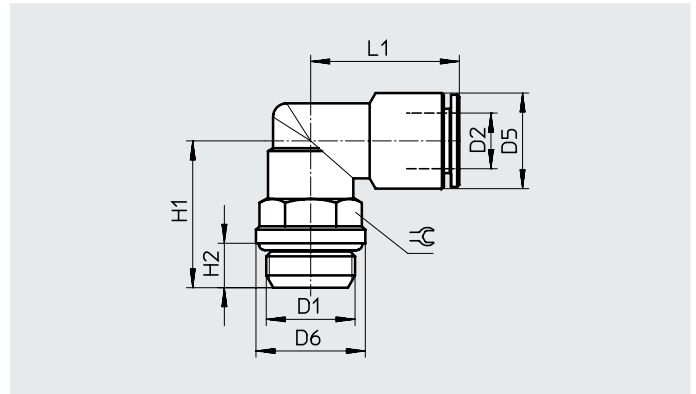
Datasheet

Push-in L-fitting NPQM-L

Male thread with external hex

Design:

L-shape



Dimensions and ordering data

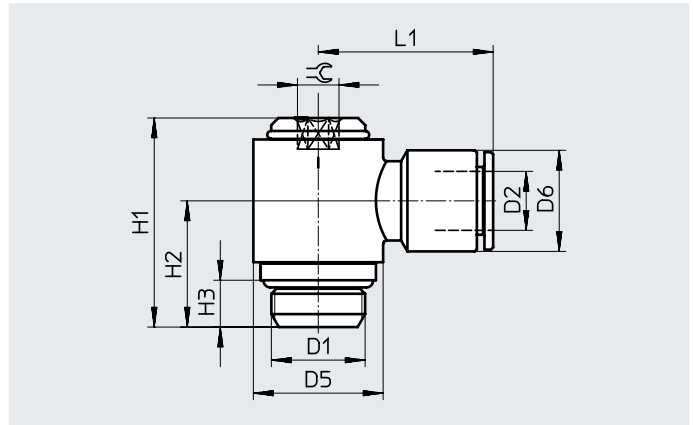
| Connection | Nominal width | Tubing O.D. | D5 ø | D6 ø | H1 | H2 | L1 | ⊕ | Weight/ piece [g] | Part no. | Type | PU ¹⁾ |
|--|---------------|-------------|---------|---------|------|-----|------|----|-------------------------|----------|--------------------|------------------|
| D1 | [mm] | D2 | | | | | | | | | | |
| Metric thread with sealing ring | | | | | | | | | | | | |
| M5 | 3.0 | 4 | 9.0 | 8.0 | 14.0 | 4.0 | 17.5 | 9 | 8.8 | 558704 | NPQM-L-M5-Q4-P10 | 10 |
| | 3.5 | 6 | 12.0 | 8.0 | 14.0 | 4.0 | 20.5 | 9 | 11.9 | 558705 | NPQM-L-M5-Q6-P10 | 10 |
| G thread with sealing ring | | | | | | | | | | | | |
| G1/8 | 3.0 | 4 | 9.0 | 13.0 | 18.0 | 5.0 | 19.5 | 13 | 15.7 | 558708 | NPQM-L-G18-Q4-P10 | 10 |
| | 5.0 | 6 | 12.0 | 13.0 | 18.0 | 5.0 | 22.0 | 13 | 18.5 | 558709 | NPQM-L-G18-Q6-P10 | 10 |
| | 5.5 | 8 | 14.0 | 13.0 | 18.0 | 5.0 | 22.5 | 13 | 22.0 | 558710 | NPQM-L-G18-Q8-P10 | 10 |
| G1/4 | 5.0 | 6 | 12.0 | 16.0 | 21.5 | 6.5 | 22.0 | 13 | 21.8 | 558711 | NPQM-L-G14-Q6-P10 | 10 |
| | 5.5 | 8 | 14.0 | 16.0 | 21.5 | 6.5 | 22.5 | 13 | 25.3 | 558712 | NPQM-L-G14-Q8-P10 | 10 |
| | 8.5 | 10 | 16.0 | 16.0 | 22.0 | 6.5 | 26.0 | 16 | 34.0 | 558713 | NPQM-L-G14-Q10-P10 | 10 |
| | 11.0 | 12 | 19.0 | 16.0 | 25.5 | 6.5 | 28.5 | 20 | 58.5 | 558714 | NPQM-L-G14-Q12-P10 | 10 |
| G3/8 | 6.0 | 8 | 14.0 | 20.0 | 25.5 | 7.0 | 23.0 | 16 | 37.7 | 558715 | NPQM-L-G38-Q8-P10 | 10 |
| | 8.5 | 10 | 16.0 | 20.0 | 25.5 | 7.0 | 26.0 | 16 | 39.2 | 558716 | NPQM-L-G38-Q10-P10 | 10 |
| | 11.0 | 12 | 19.0 | 20.0 | 26.0 | 7.0 | 28.5 | 20 | 56.1 | 558717 | NPQM-L-G38-Q12-P10 | 10 |
| | 12.0 | 14 | 22.0 | 20.0 | 26.0 | 7.0 | 31.0 | 20 | 61.6 | 570460 | NPQM-L-G38-Q14-P10 | 1 |
| G1/2 | 8.5 | 10 | 16.0 | 25.0 | 27.5 | 8.5 | 26.0 | 16 | 43.2 | 558718 | NPQM-L-G12-Q10-P10 | 10 |
| | 11.0 | 12 | 19.0 | 25.0 | 30.5 | 8.5 | 28.5 | 20 | 65.1 | 558719 | NPQM-L-G12-Q12-P10 | 10 |
| | 12.0 | 14 | 22.0 | 25.0 | 30.5 | 8.5 | 31.0 | 20 | 69.9 | 570461 | NPQM-L-G12-Q14-P10 | 1 |

1) Packaging unit.

Datasheet

Push-in L-fitting NPQM-LK Male thread with internal hex

Design:
L-shape



Dimensions and ordering data

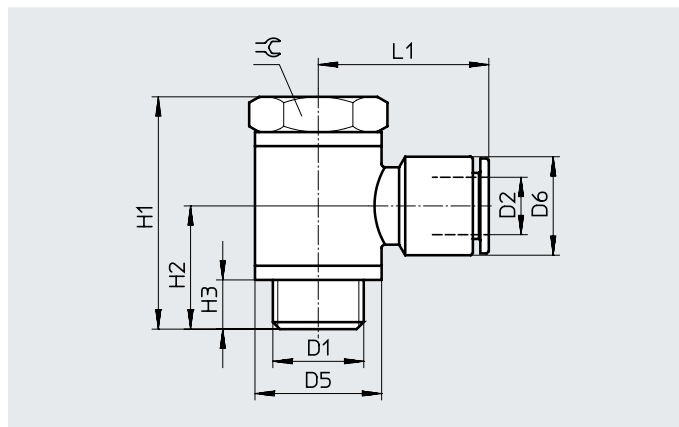
| Connection | Nominal width [mm] | Tubing O.D. | D5 ø | D6 ø | H1 | H2 | H3 | L1 | ⊕ | Weight/ piece [g] | Part no. | Type | PU ¹⁾ |
|--|--------------------|-------------|---------|---------|------|------|-----|------|---|----------------------|----------|---------------------|------------------|
| D1 | D2 | | | | | | | | | | | | |
| Metric thread with sealing ring | | | | | | | | | | | | | |
| M5 | 2.5 | 3 | 7.0 | 6.8 | 15.0 | 9.5 | 4.0 | 14.1 | 2 | 8.1 | 558816 | NPQM-LK-M5-Q3-P10 | 10 |
| | 2.5 | 4 | 10.0 | 9.0 | 19.0 | 11.0 | 4.0 | 18.5 | 3 | 10.1 | 558817 | NPQM-LK-M5-Q4-P10 | 10 |
| G thread with sealing ring | | | | | | | | | | | | | |
| G1/8 | 3.0 | 4 | 14.0 | 9.0 | 25.5 | 15.0 | 5.0 | 20.5 | 4 | 22.2 | 558818 | NPQM-LK-G18-Q4-P10 | 10 |
| | 5.0 | 6 | 14.0 | 12.0 | 25.5 | 15.0 | 5.0 | 22.5 | 4 | 24.4 | 558819 | NPQM-LK-G18-Q6-P10 | 10 |
| | 6.0 | 8 | 14.0 | 14.0 | 25.5 | 15.0 | 5.0 | 23.5 | 4 | 25.7 | 558820 | NPQM-LK-G18-Q8-P10 | 10 |
| G1/4 | 5.0 | 6 | 18.0 | 12.0 | 29.0 | 17.5 | 6.5 | 24.0 | 5 | 39.3 | 558821 | NPQM-LK-G14-Q6-P10 | 10 |
| | 6.5 | 8 | 18.0 | 14.0 | 29.0 | 17.5 | 6.5 | 24.5 | 5 | 39.1 | 558822 | NPQM-LK-G14-Q8-P10 | 10 |
| | 8.5 | 10 | 18.0 | 16.0 | 29.0 | 17.5 | 6.5 | 27.0 | 5 | 43.6 | 558823 | NPQM-LK-G14-Q10-P10 | 10 |
| G3/8 | 8.5 | 10 | 22.0 | 16.0 | 32.5 | 19.5 | 7.0 | 29.0 | 6 | 62.2 | 558825 | NPQM-LK-G38-Q10-P10 | 10 |

1) Packaging unit.

Datasheet

Push-in L-fitting NPQM-LH
Male thread with external hex

Design:
L-shape



| Dimensions and ordering data | | | | | | | | | | | | | |
|--|---------------|-------------|------|------|------|------|-----|------|----|---------------|----------|---------------------|------------------|
| Connection | Nominal width | Tubing O.D. | D5 | D6 | H1 | H2 | H3 | L1 | ⌀ | Weight/ piece | Part no. | Type | PU ¹⁾ |
| D1 | [mm] | D2 | ∅ | ∅ | | | | | | [g] | | | |
| Metric thread with sealing ring | | | | | | | | | | | | | |
| M5 | 3.0 | 4 | 10.0 | 9.0 | 18.5 | 10.0 | 4.0 | 18.5 | 8 | 10.3 | 558827 | NPQM-LH-M5-Q4-P10 | 10 |
| | 3.5 | 6 | 10.0 | 12.0 | 18.5 | 10.0 | 4.0 | 21.5 | 8 | 13.6 | 558828 | NPQM-LH-M5-Q6-P10 | 10 |
| G thread with sealing ring | | | | | | | | | | | | | |
| G1/8 | 3.0 | 4 | 14.0 | 9.0 | 27.0 | 14.0 | 5.0 | 20.5 | 14 | 27.1 | 558829 | NPQM-LH-G18-Q4-P10 | 10 |
| | 5.0 | 6 | 14.0 | 12.0 | 27.0 | 14.0 | 5.0 | 22.5 | 14 | 29.5 | 558830 | NPQM-LH-G18-Q6-P10 | 10 |
| | 6.5 | 8 | 14.0 | 14.0 | 27.0 | 14.0 | 5.0 | 23.5 | 14 | 30.5 | 558831 | NPQM-LH-G18-Q8-P10 | 10 |
| G1/4 | 5.0 | 6 | 18.0 | 12.0 | 31.5 | 16.5 | 6.5 | 24.0 | 17 | 49.1 | 558832 | NPQM-LH-G14-Q6-P10 | 10 |
| | 6.5 | 8 | 18.0 | 14.0 | 31.5 | 16.5 | 6.5 | 24.5 | 17 | 49.3 | 558833 | NPQM-LH-G14-Q8-P10 | 10 |
| G3/8 | 7.0 | 8 | 22.0 | 14.0 | 36.0 | 18.5 | 7.0 | 26.5 | 20 | 76.7 | 558834 | NPQM-LH-G38-Q8-P10 | 10 |
| | 8.5 | 10 | 22.0 | 16.0 | 36.0 | 18.5 | 7.0 | 29.0 | 20 | 77.9 | 558835 | NPQM-LH-G38-Q10-P10 | 10 |
| | 10.5 | 12 | 22.0 | 19.0 | 36.0 | 18.5 | 7.0 | 29.5 | 20 | 82.7 | 558836 | NPQM-LH-G38-Q12-P10 | 10 |

1) Packaging unit.

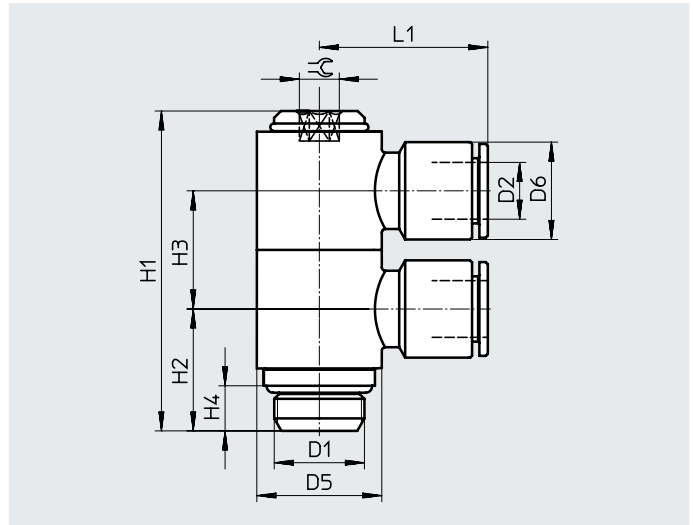
Datasheet

Multiple distributor NPQM-LFK

Male thread with internal hex

Design:

L-shape, dual, F-outlet



Dimensions and ordering data

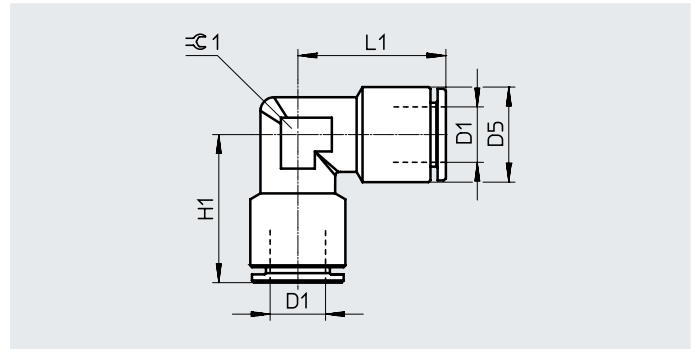
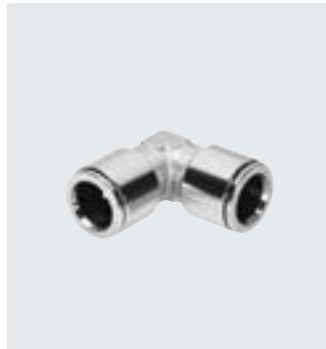
| Connection | Nominal width [mm] | Tubing O.D. | D5 ø | D6 ø | H1 | H2 | H3 | H4 | L1 | ⌀ | Weight/ piece [g] | Part no. | Type | PU ¹⁾ |
|------------|--------------------|-------------|---------|---------|------|------|------|-----|------|---|----------------------|----------|---------------------|------------------|
| D1 | | D2 | | | | | | | | | | | | |
| G1/8 | 4.0 | 4 | 14.0 | 9.0 | 40.5 | 15.0 | 15.0 | 5.0 | 20.5 | 4 | 40.0 | 558837 | NPQM-LFK-G18-Q4-P10 | 10 |
| | 4.0 | 6 | 14.0 | 12.0 | 40.5 | 15.0 | 15.0 | 5.0 | 22.5 | 4 | 46.0 | 558838 | NPQM-LFK-G18-Q6-P10 | 10 |
| | 4.0 | 8 | 14.0 | 14.0 | 40.5 | 15.0 | 15.0 | 5.0 | 23.5 | 4 | 50.0 | 558839 | NPQM-LFK-G18-Q8-P10 | 10 |
| G1/4 | 5.5 | 6 | 18.0 | 12.0 | 46.0 | 17.5 | 17.0 | 6.5 | 24.0 | 5 | 69.5 | 558840 | NPQM-LFK-G14-Q6-P10 | 10 |
| | 5.5 | 8 | 18.0 | 14.0 | 46.0 | 17.5 | 17.0 | 6.5 | 24.5 | 5 | 69.5 | 558841 | NPQM-LFK-G14-Q8-P10 | 10 |

1) Packaging unit.

Datasheet

Push-in L-connector NPQM-L

Design:
L-shape



Dimensions and ordering data

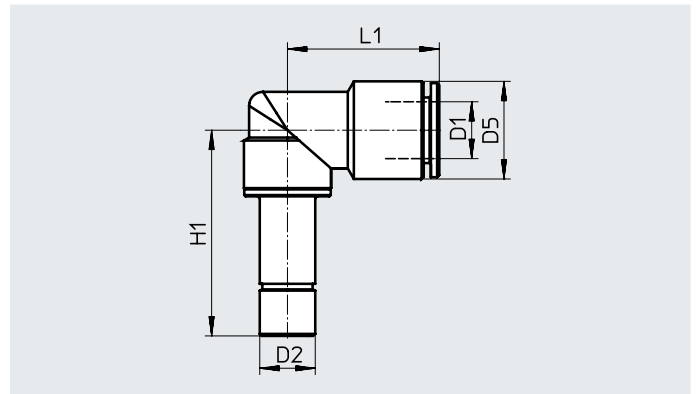
| Tubing O.D. D1 | Nominal width [mm] | D5 ø | H1 | L1 | ±C 1 | Weight/piece [g] | Part no. | Type | PU ¹⁾ |
|-------------------|-----------------------|---------|------|------|------|---------------------|----------|------------------|------------------|
| 4 | 3.0 | 9.0 | 17.5 | 17.5 | 8 | 9.0 | 558776 | NPQM-L-Q4-E-P10 | 10 |
| 6 | 5.0 | 12.0 | 20.5 | 20.5 | 10 | 16.5 | 558777 | NPQM-L-Q6-E-P10 | 10 |
| 8 | 7.0 | 14.0 | 22.5 | 22.5 | 12 | 22.0 | 558778 | NPQM-L-Q8-E-P10 | 10 |
| 10 | 9.0 | 16.0 | 25.0 | 25.0 | 14 | 29.5 | 558779 | NPQM-L-Q10-E-P10 | 10 |
| 12 | 11.0 | 19.0 | 26.5 | 26.5 | 18 | 48.5 | 558780 | NPQM-L-Q12-E-P10 | 10 |
| 14 | 12.0 | 22.0 | 31.5 | 31.5 | 18 | 58.0 | 570453 | NPQM-L-Q14-E-P10 | 1 |

1) Packaging unit.

Push-in L-connector NPQM-L

With push-in sleeve

Design:
L-shape



Dimensions and ordering data

| Tubing O.D. D1 | Nominal width [mm] | Push-in sleeve ø D2 | D5 ø | H1 | L1 | Weight/piece [g] | Part no. | Type | PU ¹⁾ |
|-------------------|-----------------------|------------------------|---------|------|------|---------------------|----------|--------------------|------------------|
| 4 | 3.0 | 4 | 9.0 | 25.5 | 19.5 | 14.0 | 558781 | NPQM-L-Q4-S4-P10 | 10 |
| 6 | 5.0 | 6 | 12.0 | 29.5 | 22.0 | 17.0 | 558782 | NPQM-L-Q6-S6-P10 | 10 |
| 8 | 5.5 | 8 | 14.0 | 29.5 | 22.5 | 20.5 | 558783 | NPQM-L-Q8-S8-P10 | 10 |
| 10 | 8.5 | 10 | 16.0 | 33.5 | 26.0 | 30.0 | 558784 | NPQM-L-Q10-S10-P10 | 10 |

1) Packaging unit.

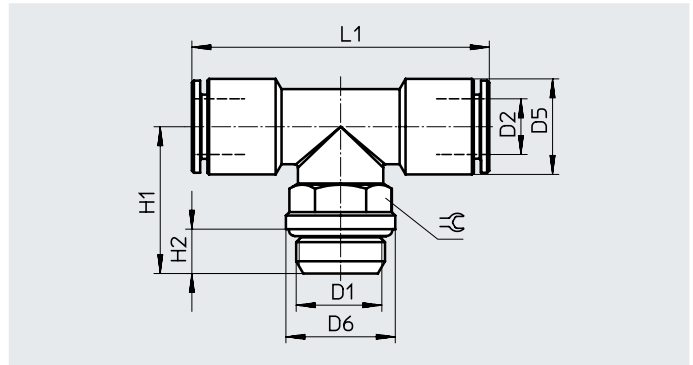
Datasheet

Push-in T-fitting NPQM-T

Male thread with external hex

Design:

T-shape



Dimensions and ordering data

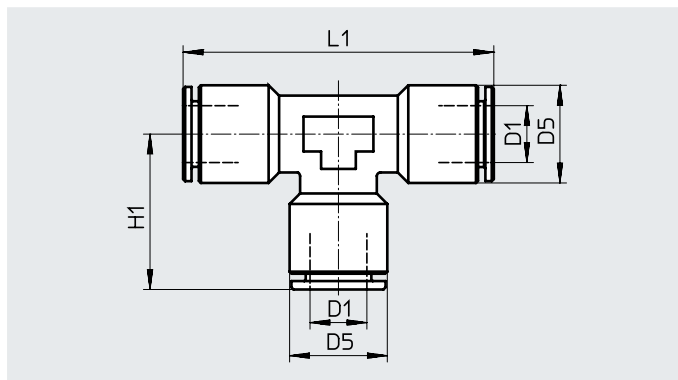
| Connection | Nominal width | Tubing O.D. | D5 ∅ | D6 ∅ | H1 | H2 | L1 | ⌀ | Weight/piece | Part no. | Type | PU ¹⁾ |
|-----------------------------------|---------------|-------------|---------|---------|------|-----|------|------|--------------|---------------|---------------------------|------------------|
| D1 | [mm] | D2 | | | | | | | [g] | | | |
| G thread with sealing ring | | | | | | | | | | | | |
| G1/8 | 3.0 | 4 | 9.0 | 13.0 | 18.0 | 5.0 | 39.0 | 13.0 | 20.2 | 558736 | NPQM-T-G18-Q4-P10 | 10 |
| | 5.0 | 6 | 12.0 | 13.0 | 18.0 | 5.0 | 44.0 | 13.0 | 25.2 | 558737 | NPQM-T-G18-Q6-P10 | 10 |
| | 5.5 | 8 | 14.0 | 13.0 | 18.0 | 5.0 | 45.0 | 13.0 | 30.7 | 558738 | NPQM-T-G18-Q8-P10 | 10 |
| G1/4 | 5.0 | 6 | 12.0 | 16.0 | 21.5 | 6.5 | 44.0 | 13.0 | 29.1 | 558739 | NPQM-T-G14-Q6-P10 | 10 |
| | 5.5 | 8 | 14.0 | 16.0 | 21.5 | 6.5 | 45.0 | 13.0 | 33.6 | 558740 | NPQM-T-G14-Q8-P10 | 10 |
| | 8.5 | 10 | 16.0 | 16.0 | 22.0 | 6.5 | 52.0 | 16.0 | 44.4 | 558741 | NPQM-T-G14-Q10-P10 | 10 |
| G3/8 | 6.0 | 8 | 14.0 | 20.0 | 25.5 | 7.0 | 46.0 | 16.0 | 46.4 | 558743 | NPQM-T-G38-Q8-P10 | 10 |
| | 8.5 | 10 | 16.0 | 20.0 | 25.5 | 7.0 | 52.0 | 16.0 | 49.7 | 558744 | NPQM-T-G38-Q10-P10 | 10 |
| | 11.0 | 12 | 19.0 | 20.0 | 26.0 | 7.0 | 57.0 | 20.0 | 75.3 | 558745 | NPQM-T-G38-Q12-P10 | 10 |
| G1/2 | 11.0 | 12 | 19.0 | 25.0 | 30.5 | 8.5 | 57.0 | 20.0 | 82.0 | 558747 | NPQM-T-G12-Q12-P10 | 10 |

1) Packaging unit.

Datasheet

Push-in T-connector NPQM-T

Design:
T-shape



Dimensions and ordering data

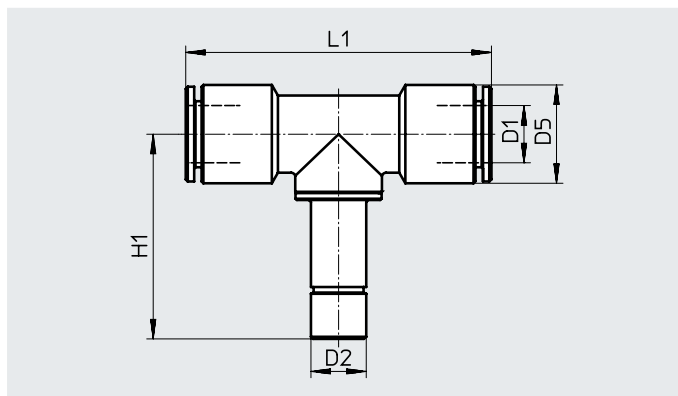
| Tubing O.D. D1 | Nominal width [mm] | D5 ø | H1 | L1 | Weight/piece [g] | Part no. | Type | PU ¹⁾ |
|-------------------|-----------------------|---------|------|------|---------------------|----------|------------------|------------------|
| 4 | 3.0 | 9.0 | 17.5 | 35.0 | 12.5 | 558786 | NPQM-T-Q4-E-P10 | 10 |
| 6 | 5.0 | 12.0 | 20.0 | 40.0 | 22.5 | 558787 | NPQM-T-Q6-E-P10 | 10 |
| 8 | 7.0 | 14.0 | 21.0 | 42.0 | 28.4 | 558788 | NPQM-T-Q8-E-P10 | 10 |
| 10 | 9.0 | 16.0 | 24.5 | 49.0 | 39.2 | 558789 | NPQM-T-Q10-E-P10 | 10 |
| 12 | 11.0 | 19.0 | 26.0 | 52.0 | 61.3 | 558790 | NPQM-T-Q12-E-P10 | 10 |
| 14 | 12.0 | 22.0 | 30.5 | 61.0 | 77.1 | 570454 | NPQM-T-Q14-E-P10 | 1 |

1) Packaging unit.

Push-in T-connector NPQM-T

With push-in sleeve

Design:
T-shape



Dimensions and ordering data

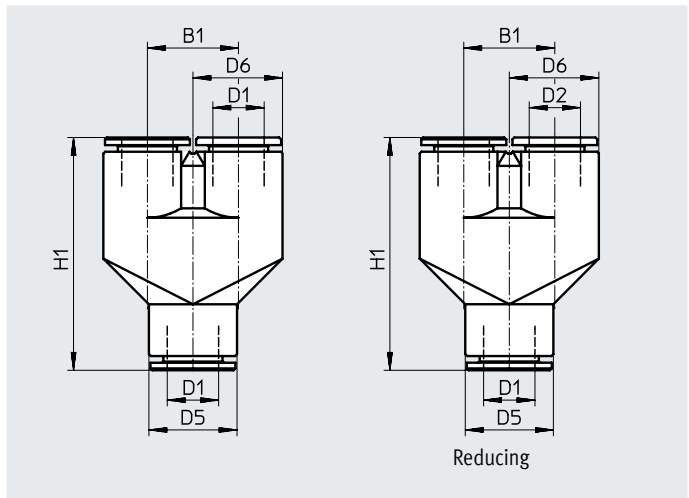
| Tubing O.D. D1 | Nominal width [mm] | Push-in sleeve ø D2 | D5 ø | H1 | L1 | Weight/piece [g] | Part no. | Type | PU ¹⁾ |
|-------------------|-----------------------|------------------------|---------|------|------|---------------------|----------|--------------------|------------------|
| 4 | 3.0 | 4 | 9.0 | 25.5 | 39.0 | 18.5 | 558791 | NPQM-T-Q4-S4-P10 | 10 |
| 6 | 5.0 | 6 | 12.0 | 29.5 | 44.0 | 24.5 | 558792 | NPQM-T-Q6-S6-P10 | 10 |
| 8 | 5.5 | 8 | 14.0 | 29.5 | 45.0 | 29.0 | 558793 | NPQM-T-Q8-S8-P10 | 10 |
| 10 | 8.5 | 10 | 16.0 | 33.5 | 52.0 | 41.0 | 558794 | NPQM-T-Q10-S10-P10 | 10 |

1) Packaging unit.

Datasheet

Push-in Y-connector NPQM-Y

Design:
Y-shape



Dimensions and ordering data

| Tubing O.D. D1 | Nominal width [mm] | Tubing O.D. D2 | D5 ∅ | D6 ∅ | B1 | H1 | Weight/piece [g] | Part no. | Type | PU ¹⁾ |
|-------------------|-----------------------|-------------------|---------|---------|------|------|---------------------|----------|-------------------|------------------|
| 4 | 3.5 | – | 9.0 | 9.25 | 9.5 | 29.5 | 13.5 | 558798 | NPQM-Y-Q4-E-P10 | 10 |
| 6 | 5.5 | – | 12.0 | 12.25 | 12.5 | 36.0 | 32.0 | 558799 | NPQM-Y-Q6-E-P10 | 10 |
| 8 | 7.5 | – | 14.0 | 14.25 | 14.5 | 37.5 | 42.5 | 558800 | NPQM-Y-Q8-E-P10 | 10 |
| 10 | 9.5 | – | 16.0 | 16.25 | 16.5 | 44.5 | 62.7 | 558801 | NPQM-Y-Q10-E-P10 | 10 |
| 12 | 11.5 | – | 19.0 | 19.25 | 19.5 | 49.0 | 95.8 | 558802 | NPQM-Y-Q12-E-P10 | 10 |
| Reducing | | | | | | | | | | |
| 6 | 3.5 | 4 | 12.0 | 12.25 | 12.5 | 36.0 | 35.9 | 558803 | NPQM-Y-Q6-Q4-P10 | 10 |
| 8 | 5.5 | 6 | 14.0 | 14.25 | 14.5 | 38.5 | 52.6 | 558804 | NPQM-Y-Q8-Q6-P10 | 10 |
| 10 | 7.5 | 8 | 16.0 | 16.25 | 16.5 | 44.0 | 78.1 | 558805 | NPQM-Y-Q10-Q8-P10 | 10 |

1) Packaging unit.