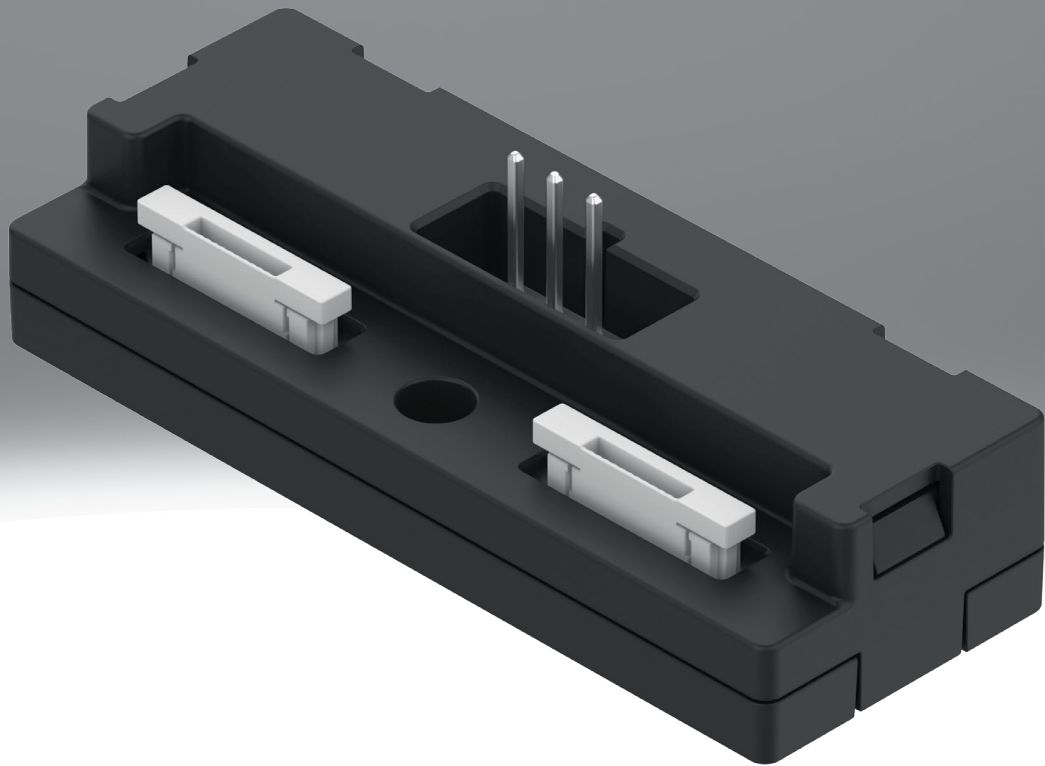


## Electrical adapter NEFV

**FESTO**



## Characteristics

### At a glance

Can only be used in conjunction with the electronic module VAVE-P12-TP-5YL1-P  
For the electrical actuation of the piezo valves VEAE and VEMR

### Circuitry

[V13] Variant 13

[V14] Variant 14

## Datasheet

**Technical data – Electrical connection 1**

Electrical connection 1, connection type	Socket
Electrical connection 1, function	Field device side
Electrical connection 1, design	Angular
Electrical connection 1, connector system	ZIF
Electrical connection 1, number of connections/cores	5, 12
Electrical connection 1, used connections/cores	3
Electrical connection 1, type of mounting	Plug-in

**Technical data – Electrical connection 2**

Electrical connection 2, connection type	Socket
Electrical connection 2, function	Field device side
Electrical connection 2, design	Angular
Electrical connection 2, connector system	ZIF
Electrical connection 2, number of connections/cores	5, 12
Electrical connection 2, used connections/cores	3
Electrical connection 2, type of mounting	Plug-in

**Technical data – Electrical connection 3**

Electrical connection 3, connection type	Plugs
Electrical connection 3, function	Controller side
Electrical connection 3, design	Rectangular
Electrical connection 3, connector system	Festo-specific coding
Electrical connection 3, number of connections/cores	3
Electrical connection 3, used connections/cores	3
Electrical connection 3, type of mounting	Plug-in

**Materials**

Material housing	PA
Housing colour	Black
Note on materials	RoHS-compliant
Material electrical contact	Nickel-plated and gold-plated bronze

## Datasheet

**Operating and ambient conditions**

Ambient temperature	-10 ... 60°C
Storage temperature	-40 ... 80°C
Pollution degree	2
Corrosion resistance class CRC <sup>1)</sup>	1 - Low corrosion stress
CE mark (see declaration of conformity) <sup>2)</sup>	In accordance with EU RoHS Directive
CE marking (see declaration of conformity) <sup>3)</sup>	To UK instructions for EMC

1) More information [www.festo.com/x/topic/kbk](http://www.festo.com/x/topic/kbk)

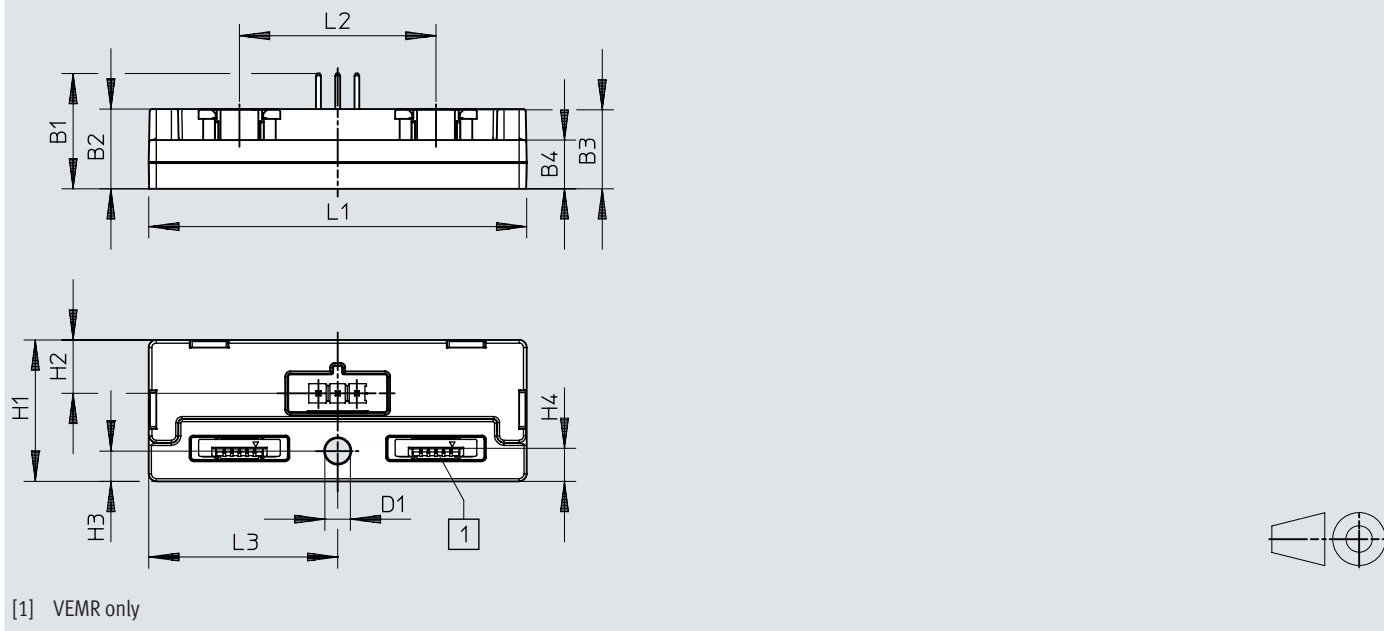
2) More information [www.festo.com/catalogue/... d Support/Downloads](http://www.festo.com/catalogue/...d/Support/Downloads).

3) More information [www.festo.com/catalogue/... d Support/Downloads](http://www.festo.com/catalogue/...d/Support/Downloads).

## Dimensions

Dimensions – NEFV-V13-...

Download CAD data → [www.festo.com](http://www.festo.com)

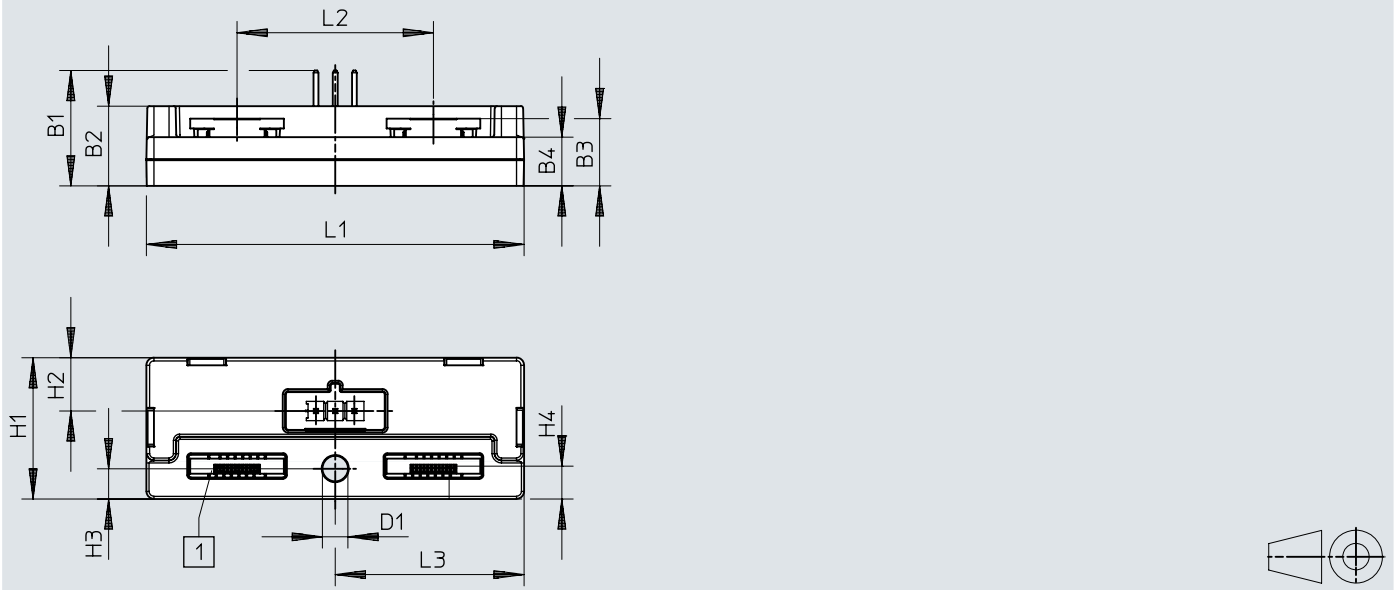


	B1	B2	B3	B4	D1 ∅	H1	H2	H3	H4	L1	L2	L3
NEFV-V13-XX4G3-T1G3	15,3	10,6	10,5	6,5	3,4	18,7	7,1	4	4,4	50	26	25

## Dimensions

Dimensions – NEFV-V14-...


Download CAD data → [www.festo.com](http://www.festo.com)



[1] VEAЕ only

	B1	B2	B3	B4	D1 ∅	H1	H2	H3	H4	L1	L2	L3
NEFV-V14-XX4G3-T1G3	15,3	10,6	8,9	6,5	3,4	18,7	7,1	4	4,4	50	26	25

## Ordering data

Electronic plug base NEFV						
	Operational voltage range DC	Degree of protection	Note on degree of protection	Product weight	Part no.	Type
	0 ... 310 V	IP40	In assembled state	6.8 g	8109877	NEFV-V13-XX4G3-T1G3
					8109878	NEFV-V14-XX4G3-T1G3