

## Sensor/actuator distributors

**FESTO**



## Key features

### Scope of features

#### Functional description

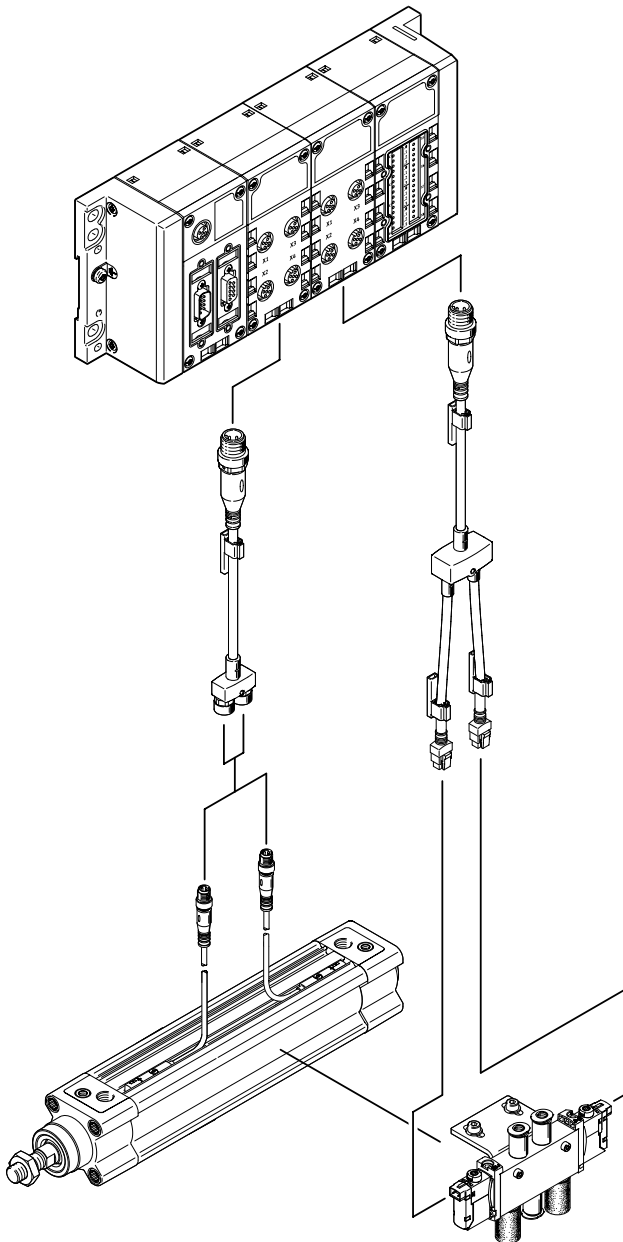
The distributors NEDY can perform two different tasks:

- Collecting signals between field devices (sensors) and controller inputs with double assignment
- Distributing signals between controller outputs with double assignment and field devices (actuators, e.g. valves)

Depending on the chosen task, the distributors will differ in terms of their:

- Design of the electrical connections
- Wiring allocation
- LED indicators and holding current reduction

### Variants



#### Controller side, connection no. 1

- M8, M12 connection technology
- Open cable end

#### Transmission path

- Maximum length: 30 m (entire string length)
- Many types available without delay with standard lengths 2.5 m and 5 m
- Mounting for T-slot
- Optimised cable material for installation in contact with pneumatic tubing; free from phosphoric acid ester

Cables suitable for use with energy chains and robot applications, for:

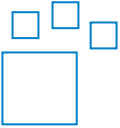
- Harsh environments
- High mechanical loads
- Energy chains (5 million cycles for a radius greater than 28 mm)
- Torsion loads

#### Field device side, connection no. 2 and no. 4

- M8, M12 connection technology
- Standardised plugs for valves and solenoid coils type A, B, C
- Festo-specific plugs for valves and solenoid coils ZB and ZC
- Open cable end

## Key features

## Ordering data – Product options

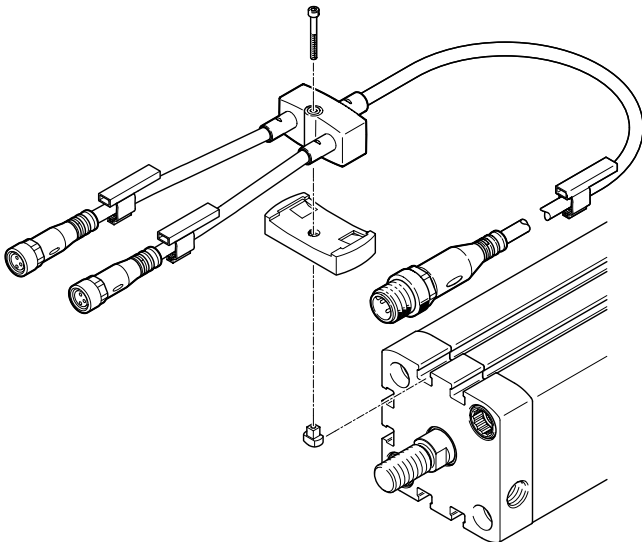


Configurable product  
This product and all its product options can be ordered using the configurator.

The configurator can be found at  
→ [www.festo.com/catalogue/...](http://www.festo.com/catalogue/...)  
Enter the part number or the type.

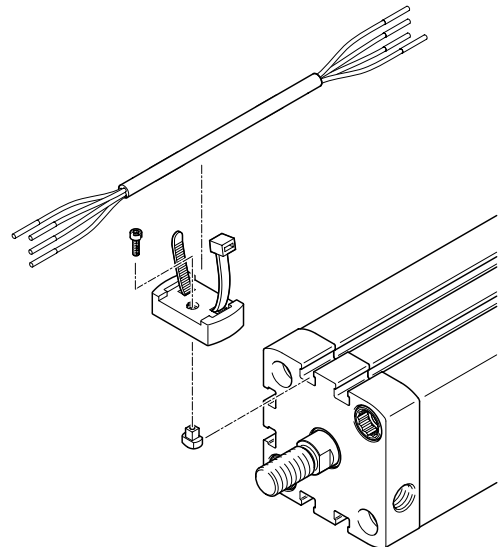
Part no.	Type
8032867	NEDY-

## Mounting



The distributors NEDY have a through-hole suitable for an M2 screw on the distributor housing. A mounting kit in two sizes is available for mounting in T-slots.

The distributors NEDY can be easily and safely mounted using the mounting kit or for pneumatic tubing and electrical connecting cables using a cable tie.



The mounting kit guarantees secure mounting in T-slots from Festo. The geometry of the retaining bracket and of the slot nut are precisely adapted to these T-slots.

The distributor can be mounted parallel or at right angles to the T-slot and the slot nut can be inserted into the T-slot from above or from the side.

## Key features

### Connection technology version

The type of plug for the connecting cable can be selected (e.g. angled or straight).

The rotatable version is a special type: with an angled socket, the cable outlet can be rotated 360° in increments of 15°.

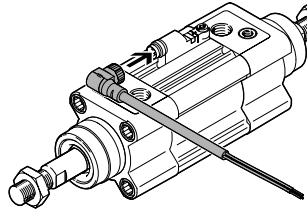
**Benefit:**  
The cable outlet can be rotated to the optimum position in tight installation conditions.

The rotatable plug is not designed to be constantly adjusted.

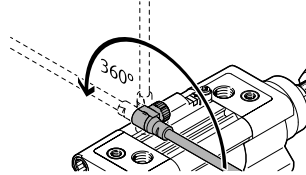
### Mounting



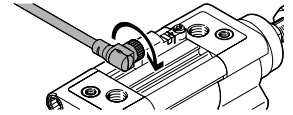
Observe the orientation of the pins.



Connect the plug to the socket.



Adjust the cable outlet



Tighten the union nut

### Indicators and identification

#### LED indicator

An LED indicator or circuitry for holding current reduction can be chosen on the field device side of the distributor, depending on the selected connection technology.

- Signal status indication (for valves only)
- Signal status indication with holding current reduction (for valves without holding current reduction only)
- Ready status indication and switching status indication (for sensors only)

#### Inscription label holder

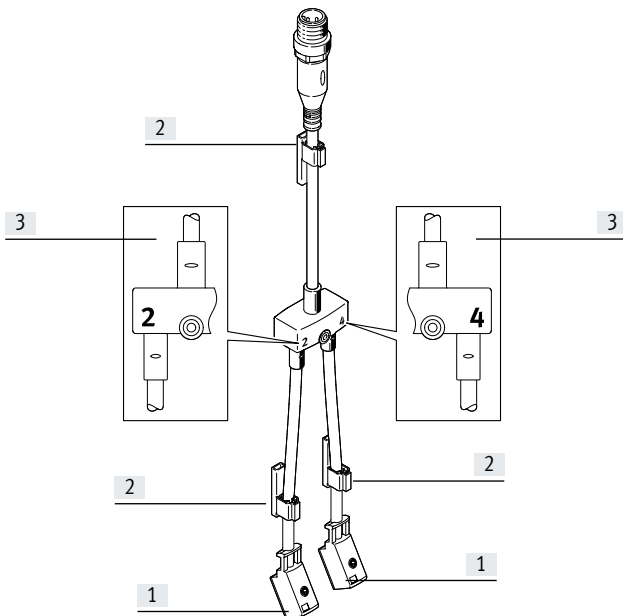
Inscription label holders can be fitted to the individual cables of the distributor for identification. The inscription label holders can be ordered in combination with the cables for the distributor or separately as accessories.

#### Housing identification

The field device-side connections on the distributor housing are identified with the numbers 2 and 4. This makes them easy to match to the circuit diagrams:


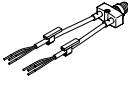
- Controller side – connection no. 1
- Field device side – connection no. 2 and no. 4

### LED indicator and identification elements

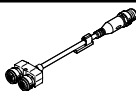
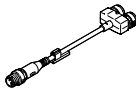


- [1] LED indicator, field device side
- [2] Inscription label holder
- [3] Housing identification

## Product range overview – Field device side

Y-distributor without cable	Field device side				Controller side				→ Page
					Plug M12x1	Plug M8x1	Open cable end		
					4-pin	4-pin	3-wire	4-wire	
	Socket M8x1	3-pin	Straight	–	■	■	–	–	8
	Socket M12x1	5-pin	Straight	–	■	–	–	–	25
Y-distributor with cable on field device side	Field device side				Controller side				→ Page
					Plug M12x1	Plug M8x1	Open cable end		
					4-pin	4-pin	3-wire	4-wire	
	Socket M8x1	3-pin	Straight	–	■	■	–	–	8
			Angled	–	■	■	–	–	8
				Switching status indication and ready status indication (for PNP sensors only)	–	■	■	–	–
			Rotatable	–	■	■	–	–	8
	4-pin	4-pin	Straight	–	■	■	–	–	17
				Signal status indication (for valves only)	–	■	■	–	–
			Angled	–	■	■	–	–	17
				Signal status indication (for valves only)	–	■	■	–	–
	Socket M12x1	5-pin	Straight	–	■	■	–	–	25
			Angled	–	■	■	–	–	25
				Switching status indication and ready status indication (for PNP sensors only)	–	■	■	–	–
	Socket, type A	4-pin	To EN 175301-803		■	■	–	–	34
	Socket, type B	3-pin	To EN 175301-803		■	■	–	–	41
			To industry standard, 11 mm		■	■	–	–	47
	Socket, type C	4-pin	To EN 175301-803		■	■	–	–	54
			To industry standard, 9.4 mm		■	■	–	–	61
	Socket, plug pattern H	3-pin	–		■	■	–	–	67
	Socket, plug pattern ZB	2-pin	–		■	■	–	–	73
	Socket, plug pattern ZC	2-pin	Self-tapping screw		■	■	–	–	79
			Metric screw	Signal status indication (for valves only)		■	■	–	–
Signal status indication and holding current reduction (for valves without holding current reduction only)				■	■	–	–	85	
Open cable end	3-wire	–		■	■	–	–	92	

Product range overview – Possible combinations

Y-distributor with cable on controller side	Field device side				Controller side				→ Page
					Plug M12x1	Plug M8x1	Open cable end		
					4-pin	4-pin	3-wire	4-wire	
	Socket M8x1	3-pin	Straight	–	■	■	–	■	8
	Socket M12x1	5-pin	Straight	–	■	■	–	■	25
Y-distributor with cable on both sides	Field device side				Controller side				→ Page
					Plug M12x1	Plug M8x1	Open cable end		
					4-pin	4-pin	3-wire	4-wire	
	Socket M8x1	3-pin	Straight	–	■	■	–	■	8
			Angled	–	■	■	–	■	8
				Switching status indication and ready status indication (for PNP sensors only)	–	■	■	–	■
		Rotatable	–	■	■	–	■	8	
	4-pin	Straight	–	■	■	–	■	17	
			Signal status indication (for valves only)	–	■	■	■	–	17
		Angled	–	■	■	–	■	17	
	Signal status indication (for valves only)		–	■	■	■	–	17	
	Socket M12x1	5-pin	Straight	–	■	■	–	■	25
			Angled	–	■	■	–	■	25
				Switching status indication and ready status indication (for PNP sensors only)	–	■	■	–	■
	Socket, type A	4-pin	To EN 175301-803		■	■	■	–	34
	Socket, type B	3-pin	To EN 175301-803		■	■	■	–	41
			To industry standard, 11 mm		■	■	■	–	47
	Socket, type C	4-pin	To EN 175301-803		■	■	■	–	54
			To industry standard, 9.4 mm		■	■	■	–	61
Socket, plug pattern H	3-pin	–		■	■	■	–	67	
Socket, plug pattern ZB	2-pin	–		■	■	■	–	73	
Socket, plug pattern ZC	2-pin	Self-tapping screw		■	■	■	–	79	
		Metric screw	Signal status indication (for valves only)		■	■	■	–	85
			Signal status indication and holding current reduction (for valves without holding current reduction only)		■	■	■	–	85
Open cable end	3-wire	–		■	■	–	■	92	

## Type codes

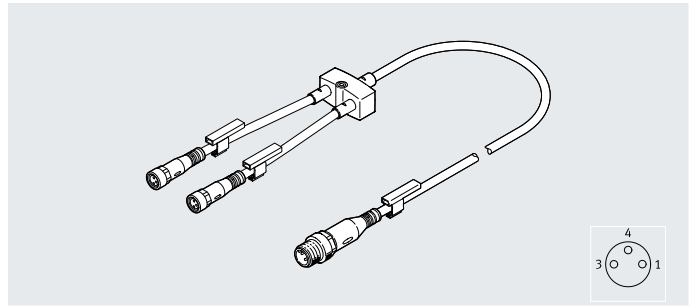
<b>001</b>	Series	
<b>NEDY</b>	Distributor	
<b>002</b>	Distributor type	
<b>L2R1</b>	Y-distributor	
<b>003</b>	Circuitry	
<b>V1</b>	Standard variant (see circuit diagram, standard)	
<b>004</b>	Connection technology left, field device side	
<b>A1</b>	Socket type A, EN 175301-803	
<b>B1</b>	Socket type B, EN 175301-803	
<b>B2</b>	Socket type B, industry standard, 11 mm	
<b>C1</b>	Socket type C, EN 175301-803	
<b>E1</b>	Socket type C, industry standard 9.4 mm	
<b>H1</b>	Socket connection pattern H	
<b>LE</b>	Open end	
<b>M8</b>	Socket M8x1 A-coded, EN 61076-2-104	
<b>M12</b>	Socket M12x1 A-coded, EN 61076-2-101	
<b>Z1</b>	Socket connection pattern ZB, self-tapping screw	
<b>Z3</b>	Socket connection pattern ZC, self-tapping screw	
<b>Z4</b>	Socket connection pattern ZC, metric screw	
<b>005</b>	Cable outlet left	
	None	
<b>G</b>	Straight	
<b>R</b>	Rotating	
<b>W</b>	Angled	
<b>006</b>	Number of pins/wires on the left	
<b>2</b>	2	
<b>3</b>	3	
<b>4</b>	4	
<b>5</b>	5	

<b>007</b>	Display	
	None	
<b>L</b>	LED signal status, DC	
<b>P</b>	LED switching state, PNP	
<b>Z</b>	LED signal status, holding current reduction	
<b>008</b>	Cable characteristic	
	Without cable	
<b>U</b>	Suitable for energy chains	
<b>009</b>	Cable length left	
	None	
<b>...L</b>	0.3 ... 30 m	
<b>010</b>	Cable identification	
	With label holder	
<b>N</b>	Without label holder	
<b>011</b>	Connection technology right, controller side	
<b>LE</b>	Open end	
<b>M8</b>	Plug M8x1 A-coded, EN 61076-2-104	
<b>M12</b>	Plug M12x1 A-coded, EN 61076-2-101	
<b>012</b>	Cable outlet right	
	None	
<b>G</b>	Straight	
<b>W</b>	Angled	
<b>013</b>	Number of pins/wires on the right	
<b>3</b>	3	
<b>4</b>	4	
<b>014</b>	Cable length right	
	None	
<b>...R</b>	0.3 ... 30 m	

## Data sheet

### Distributor NEDY-L2R1-V1-M8

- Dual distributor
- For connecting valves
- For connecting sensors
- With LED indicator for ready and switching status for connecting PNP sensors



#### General technical data

Design	Y-distributor
Distributor type	Y type
Type of mounting	Via accessories, via through-hole for M2 screw
Cable designation	Via inscription label holder (optional)
Based on standard	EN 61076-2-101, EN 61076-2-104

#### Electrical connection 2

Function	Field device side
Connection type	2x socket
Cable outlet	Angled, straight, rotatable
Design	Round
Connection technology	M8x1, A-coded to EN 61076-2-104
Number of pins/wires	3
Assigned pins/wires	3
Display	None
	Green LED and yellow LED, ready and switching status

#### Technical data – Electrical components

Electrical connection 2	2x socket M8x1	Rotatable cable outlet	Indicator P
Operating voltage range [V DC]	0 ... 30	0 ... 30	10 ... 30
[V AC]	0 ... 30	0 ... 30	–
Surge resistance [kV]	0.8	0.8	0.8
Acceptable current load at 40°C [A]	3	0.5	3
Pollution degree	3	3	3

#### Technical data – Cable

	Field device side	Controller side
Cable diameter [mm]	3.8	4.5
Conductor nominal cross section [mm <sup>2</sup> ]	0.25	0.25
Cable characteristic	Suitable for use with energy chains/robot applications	Suitable for use with energy chains/robot applications
Cable test conditions	Resistance to bending: to Festo standard, test conditions on request • Energy chain: 5 million cycles, bending radius: 28 mm • Torsional strength: > 300000 cycles, ±270°/0.1 m	Resistance to bending: to Festo standard, test conditions on request • Energy chain: 5 million cycles, bending radius: 28 mm • Torsional strength: > 300000 cycles, ±270°/0.1 m
Bending radius, flexible cable installation [mm]	39	46



## Data sheet

### Technical data – Electrical connection 1

Function	Controller side		
Connection type	Plug		Open end
Cable outlet	Straight, angled	Straight, angled	–
Design	Round	Round	–
Connection technology	M8x1, A-coded	M12x1, A-coded	–
Number of pins/wires	4	4	4
Assigned pins/wires	4	4	4
Display	–	–	–
Based on standard	To EN 61076-2-104	To EN 61076-2-101	–

### Materials

Housing	PA, PC, TPE-U(PUR)
Housing colour	Black
Union nut	Nickel-plated brass
Threaded sleeve	Nickel-plated brass
Seals	NBR
Pin contacts	Gold-plated copper alloy
Cable sheath	TPE-U(PUR)
Cable sheath colour	Grey
Note on materials	RoHS-compliant Free of halogen and phosphoric acid ester
PWIS conformity	VDMA24364-B2-L

### Operating and environmental conditions

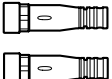
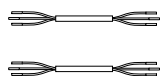
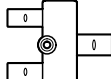
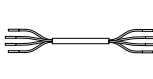
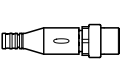
Ambient temperature	[°C]	–25 ... +80
Note on ambient temperature	[°C]	–10 ... +40 with mounting via through-hole
Ambient temperature with flexible cable installation	[°C]	–20 ... +80
Storage temperature	[°C]	–25 ... +80
Degree of protection		IP65/IP68, IP69K
CE marking (see declaration of conformity) <sup>1)</sup>		To EU RoHS Directive
UKCA marking (see declaration of conformity) <sup>1)</sup>		To UK RoHS instructions
Corrosion resistance class CRC <sup>2)</sup>		2

1) For information about the area of use, see the EC declaration of conformity at: [www.festo.com/catalogue/ned](http://www.festo.com/catalogue/ned) → Support/Downloads.

If the devices are subject to usage restrictions in residential, commercial or light-industrial environments, further measures for the reduction of the emitted interference may be necessary.

2) More information [www.festo.com/x/topic/kbk](http://www.festo.com/x/topic/kbk)

### Product weight

				
<b>2x socket [g]</b>	<b>2x cable [g/m]</b>	<b>Distributor [g]</b>	<b>Cable [g/m]</b>	<b>Plug [g]</b>
M8x1   8	3-wire   41	With cable outlet   10 With plug M12x1   17 With plug M8x1   7 With socket M8x1   8	4-wire   26.5	M8x1   4.5 M12x1, straight   12 M12x1, angled   12.5 Open end   0

The weight of the individual components must be added together to determine the overall weight:

socket + length x cable + distributor + length x cable + plug

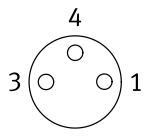
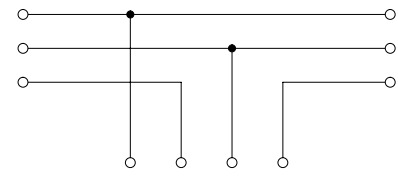
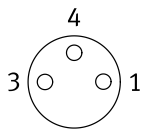
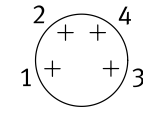
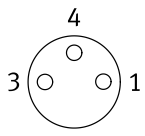
Example:

NEDY-L2R1-V1-M8G3-U-3L-LE4-10R

8 g + 3x 41 g + 10 g + 10x 26.5 g + 0 g = 406 g

# Y-distributor, socket M8x1, to EN 61076-2-104, 3-pin

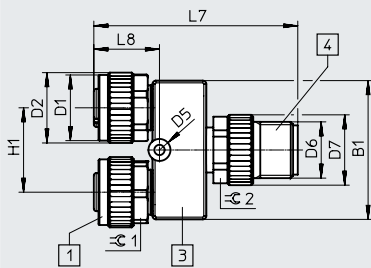
## Data sheet

Circuitry (socket/plug view)		Wiring allocation				Connection no. 2			
Connection no. 4	Pin	Wire colour <sup>1)</sup>					Wire colour <sup>1)</sup>	Pin	
	1	BN					BN	1	
	3	BU					BN	3	
	4	BK					BU	4	
			Wire colour <sup>1)</sup>	BN	BK	BU	WH		
		Pin	1	4	3	2			
		Plug M8x1							
									
		Plug M12x1							
									
									

1) To IEC 757

### Dimensions

Y-distributor without cable



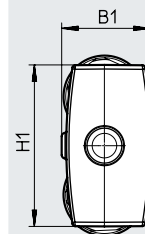
[1] Socket, field device side

[3] Distributor

[4] Plug, controller side

Download CAD data → [www.festo.com](http://www.festo.com)

Distributor body front view



Electrical connection, controller side	B1	D1	D2 ∅	D5 ∅	D6	D7 ∅	H1	L7	L8	⌀ 1	⌀ 2
Plug M8x1	21	M8	10	2.2	M8	10	12.2	31.8	10.2	9 mm	9 mm
Plug M12x1	29.6	M8	10	2.2	M12	15	18	39.5	10.2	9 mm	13 mm

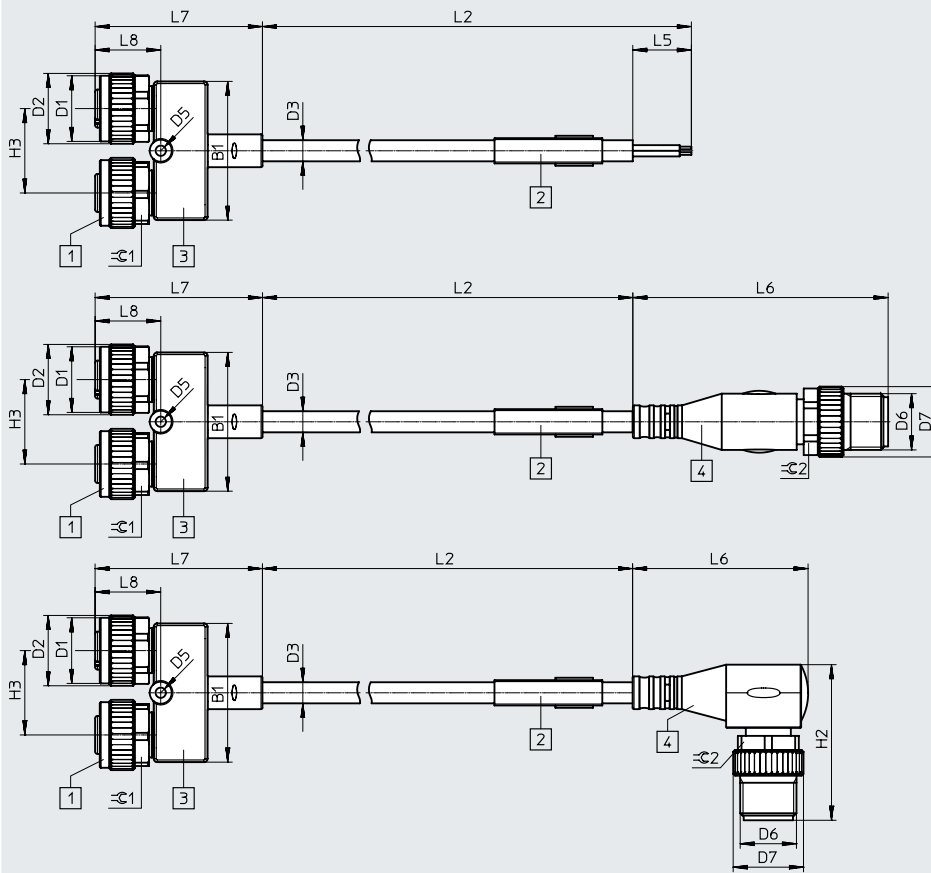
Distributor body front view	B1	H1
Size 1:	12	21
Size 2:	16.2	29.6

Data sheet

Dimensions

Download CAD data → [www.festo.com](http://www.festo.com)

Y-distributor with cable on controller side



[1] Socket, field device side

[2] Inscription label

[3] Distributor

[4] Plug, controller side

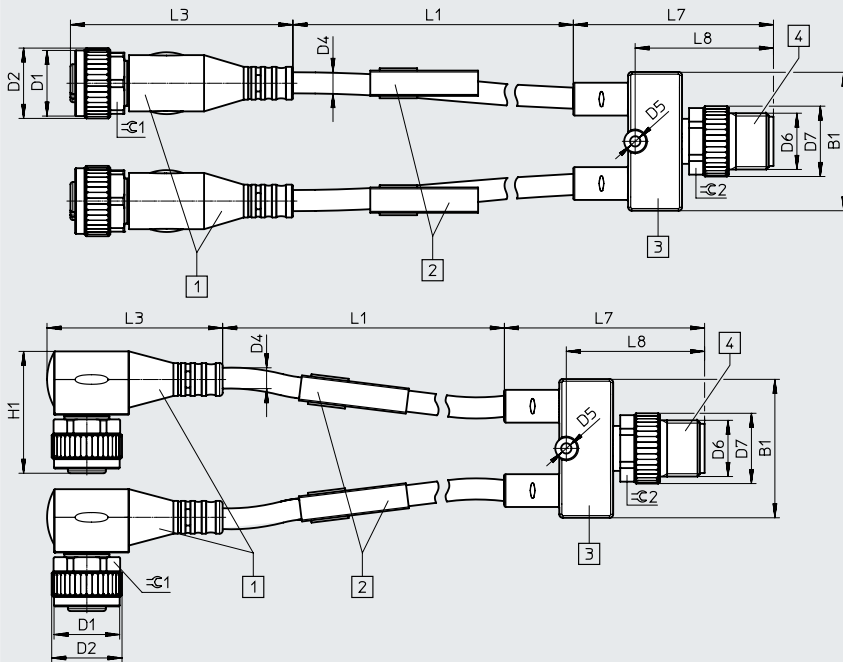
Electrical connection, controller side		B1	D1	D2 ∅	D3 ∅	D5 ∅	D6	D7 ∅	H2	H3	L2	L5	L6	L7	L8	≅ 1	≅ 2
Open cable end		21	M8	10	4.5	2.2	-	-	-	12.2	300 ... 30000	50	-	28.5	10.2	9 mm	-
Plug M8x1	Straight	21	M8	10	4.5	2.2	M8	10	-	12.2	300 ... 30000	-	41.1	28.5	10.2	9 mm	9 mm
	Angled	21	M8	10	4.5	2.2	M8	10	24	12.2	300 ... 30000	-	26.9	28.5	10.2	9 mm	9 mm
Plug M12x1	Straight	21	M8	10	4.5	2.2	M12	15	-	12.2	300 ... 30000	-	54.5	28.5	10.2	9 mm	13 mm
	Angled	21	M8	10	4.5	2.2	M12	15	33.2	12.2	300 ... 30000	-	37.5	28.5	10.2	9 mm	13 mm

Data sheet

Dimensions

Download CAD data → [www.festo.com](http://www.festo.com)

Y-distributor with cable on field device side



[1] Socket, field device side      [2] Inscription label      [3] Distributor      [4] Plug, controller side

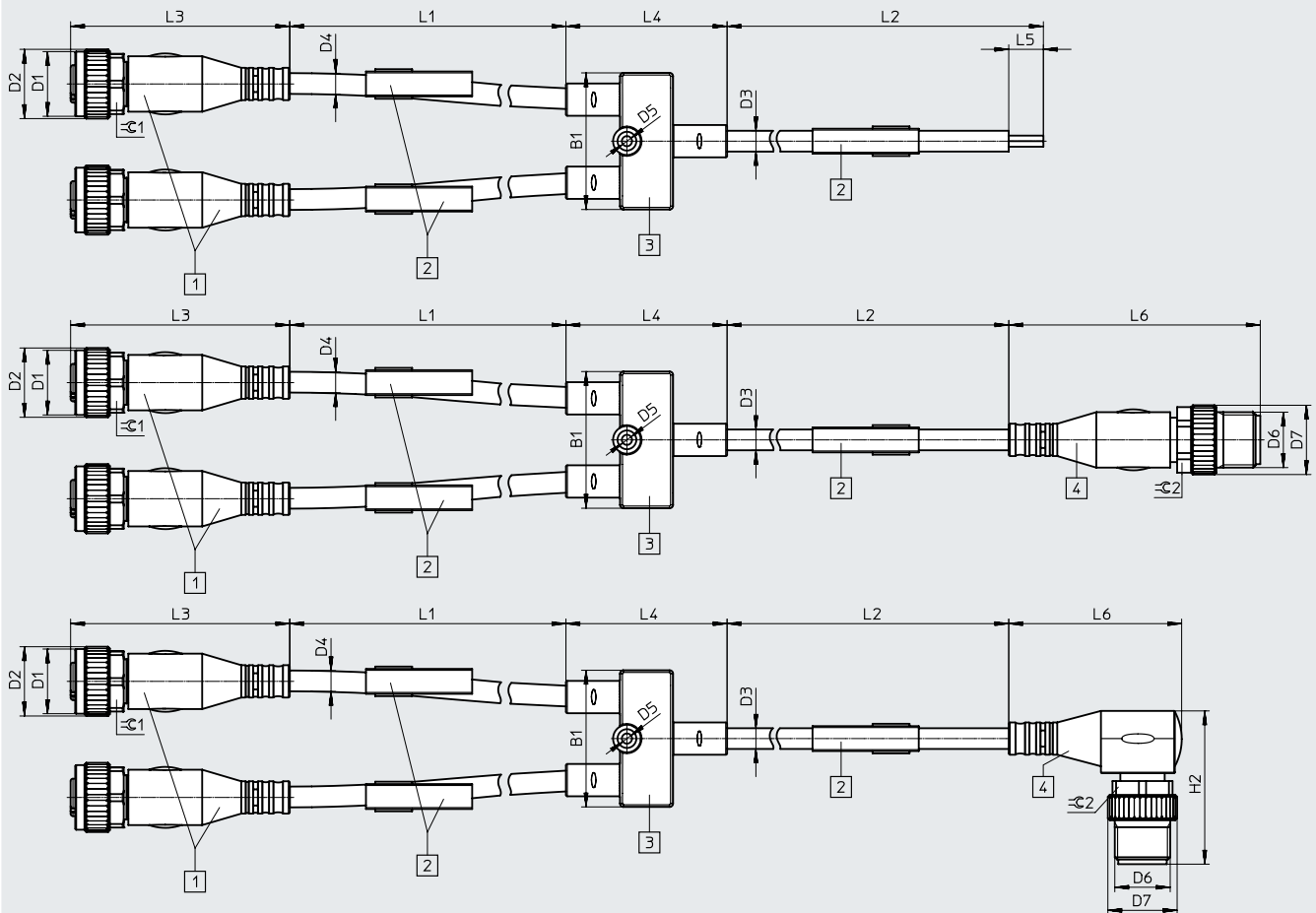
Electrical connection, controller side	B1	D1	D2	D4	D5	D6	D7	H1	L1	L3	L7	L8	≙ 1	≙ 2
<b>Electrical connection, field device side, straight</b>														
Plug M8x1	21	M8	10	3.8	2.2	M8	10	-	300 ... 30000	34.6	35	21.6	9 mm	9 mm
Plug M12x1	29.6	M8	10	3.8	2.2	M12	15	-	300 ... 30000	34.6	42.7	29.5	9 mm	13 mm
<b>Electrical connection, field device side, angled</b>														
Plug M8x1	21	M8	10	3.8	2.2	M8	10	17	300 ... 30000	26.9	35	21.6	9 mm	9 mm
Plug M12x1	29.6	M8	10	3.8	2.2	M12	15	17	300 ... 30000	26.9	42.7	29.5	9 mm	13 mm
<b>Electrical connection, field device side, rotatable</b>														
Plug M8x1	21	M8	10	3.8	2.2	M8	10	16.3	300 ... 30000	20.9	35	21.6	9 mm	9 mm
Plug M12x1	29.6	M8	10	3.8	2.2	M12	15	16.3	300 ... 30000	20.9	42.7	29.5	9 mm	13 mm

Data sheet

Dimensions

Download CAD data → [www.festo.com](http://www.festo.com)

Y-distributor with cable on both sides



[1] Socket, field device side

[2] Inscription label

[3] Distributor

[4] Plug, controller side

Electrical connection, controller side		B1	D1	D2 ∅	D3 ∅	D4 ∅	D5 ∅	D6	H2
Open cable end		29.6	M8	10	4.5	3.8	2.2	–	–
Plug M8x1	Straight	29.6	M8	10	4.5	3.8	2.2	M8	–
	Angled	29.6	M8	10	4.5	3.8	2.2	M8	24
Plug M12x1	Straight	29.6	M8	10	4.5	3.8	2.2	M12	–
	Angled	29.6	M8	10	4.5	3.8	2.2	M12	33.2

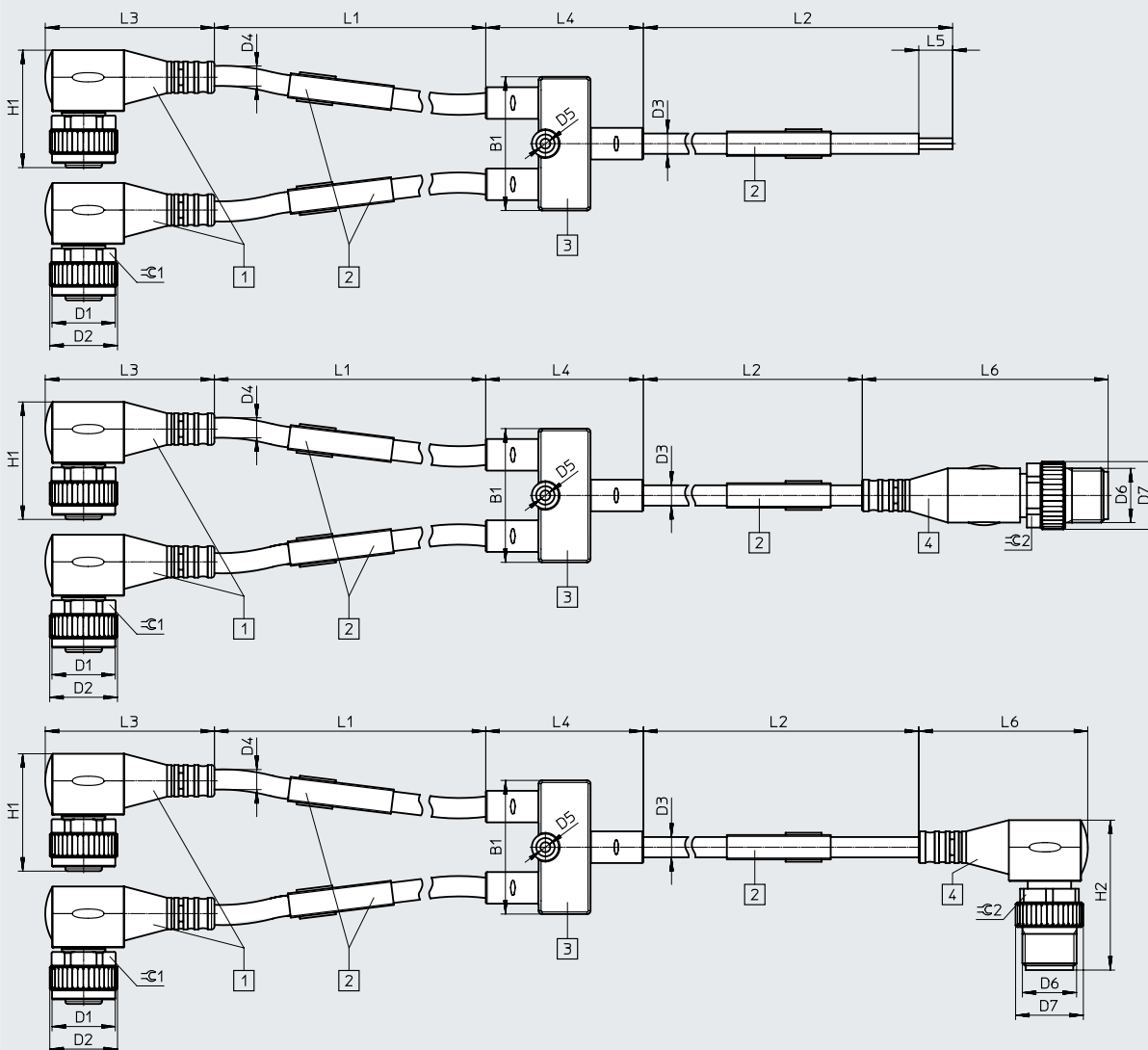
Electrical connection, controller side		L1	L2	L3	L4	L5	L6	≙ 1	≙ 2
Open cable end		(300 ... 30000)-L2	(300 ... 30000)-L1	34.6	34.9	50	–	9 mm	–
Plug M8x1	Straight	(300 ... 30000)-L2	(300 ... 30000)-L1	34.6	34.9	–	41.1	9 mm	9 mm
	Angled	(300 ... 30000)-L2	(300 ... 30000)-L1	34.6	34.9	–	26.9	9 mm	9 mm
Plug M12x1	Straight	(300 ... 30000)-L2	(300 ... 30000)-L1	34.6	34.9	–	54.5	9 mm	13 mm
	Angled	(300 ... 30000)-L2	(300 ... 30000)-L1	34.6	34.9	–	37.5	9 mm	13 mm

Data sheet

Dimensions

Download CAD data → [www.festo.com](http://www.festo.com)

Y-distributor with cable on both sides



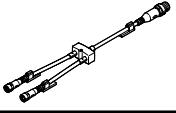
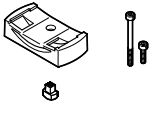


[1] Socket, field device side      [2] Inscription label      [3] Distributor      [4] Plug, controller side

Electrical connection, controller side		B1	D1	D2 ∅	D3 ∅	D4 ∅	D5 ∅	D6	H1		H2
									Cable outlet on the left, angled	Cable outlet on the left, rotatable	
Open cable end		29.6	M8	10	4.5	3.8	2.2	–	17	16.3	–
Plug M8x1	Straight	29.6	M8	10	4.5	3.8	2.2	M8	17	16.3	–
	Angled	29.6	M8	10	4.5	3.8	2.2	M8	17	16.3	24
Plug M12x1	Straight	29.6	M8	10	4.5	3.8	2.2	M12	17	16.3	–
	Angled	29.6	M8	10	4.5	3.8	2.2	M12	17	16.3	33.2

Electrical connection, controller side		L1	L2	L3		L4	L5	L6	≃ 1	≃ 2
				Cable outlet on the left, angled	Cable outlet on the left, rotatable					
Open cable end		(300 ... 30000)-L2	(300 ... 30000)-L1	26.9	20.9	34.9	50	–	9 mm	–
Plug M8x1	Straight	(300 ... 30000)-L2	(300 ... 30000)-L1	26.9	20.9	34.9	–	41.1	9 mm	9 mm
	Angled	(300 ... 30000)-L2	(300 ... 30000)-L1	26.9	20.9	34.9	–	26.9	9 mm	9 mm
Plug M12x1	Straight	(300 ... 30000)-L2	(300 ... 30000)-L1	26.9	20.9	34.9	–	54.5	9 mm	13 mm
	Angled	(300 ... 30000)-L2	(300 ... 30000)-L1	26.9	20.9	34.9	–	37.5	9 mm	13 mm

## Data sheet

Ordering data							
	Field device side	Controller side		Weight [g]	Part no.	Type	
	Cable length [m]	Electrical connection	Cable length [m]				
<b>Y-distributor without cable</b>							
	0	Plug, straight, M8x1	0	10.5	8005312	NEDY-L2R1-V1-M8G3-N-M8G4	
		Plug, straight, M12x1		20	8005311	NEDY-L2R1-V1-M8G3-N-M12G4	
<b>Y-distributor with cable on controller side</b>							
	0	Plug, straight, M8x1		2.5	79	8005303	NEDY-L2R1-V1-M8G3-U-M8G4-2.5R
				5	145	8005304	NEDY-L2R1-V1-M8G3-U-M8G4-5R
		Plug, straight, M12x1		2.5	86	8005301	NEDY-L2R1-V1-M8G3-U-M12G4-2.5R
				5	153	8005302	NEDY-L2R1-V1-M8G3-U-M12G4-5R
<b>Y-distributor with cable on both sides</b>							
	0.3	Plug, straight, M8x1		2.5	102	8035485	NEDY-L2R1-V1-M8G3-U-0.3L-M8G4-2.5R
				5	168	8035774	NEDY-L2R1-V1-M8G3-U-0.3L-M8G4-5R
		Plug, straight, M12x1		2.5	109	8032309	NEDY-L2R1-V1-M8G3-U-0.3L-M12G4-2.5R
				5	176	8035484	NEDY-L2R1-V1-M8G3-U-0.3L-M12G4-5R
<b>Ordering data – Accessories</b>							
	Mounting for T-slot	<ul style="list-style-type: none"> <li>For Y-distributor without cable with plug M8x1</li> <li>For Y-distributor with cable on field device side and plug M8x1</li> <li>For Y-distributor with cable on controller side</li> </ul>			8032868	NEAU-A-N8-1	
		<ul style="list-style-type: none"> <li>For Y-distributor without cable with plug M12x1</li> <li>For Y-distributor with cable on field device side and plug M12x1</li> <li>For Y-distributor with cable on both sides</li> </ul>			8032869	NEAU-A-N8-2	

## Ordering data – Modular product system

Ordering table

		Condi- tions	Code	Enter code
Module no.	<b>8032867</b>			
Distributor	Sensor/actuator distributors		<b>NEDY</b>	NEDY
Distributor type	Y type		<b>-L2R1</b>	-L2R1
Wiring allocation	Standard variant (see circuit diagram, standard)		<b>-V1</b>	-V1
Connection technology on the left, field device side	Socket M8x1, A-coded, EN 61076-2-104		<b>-M8</b>	-M8
Cable outlet on the left	Straight		<b>G</b>	
	Rotatable		<b>R</b>	
	Angled		<b>W</b>	
Number of pins/wires on the left	3-pin		<b>3</b>	3
Display	None	[1]		
	LED: ready for operation and switching status (for PNP sensors only)	[2]	<b>P</b>	
Cable characteristic	None			
	Suitable for use with energy chains/robot applications	[3]	<b>-U</b>	
Cable length on the left [m]	None			
	0.3 ... 30	[4]	<b>-...L</b>	
Cable designation	With inscription label holder	[3]		
	Without inscription label holder		<b>-N</b>	
Connection technology on the right, controller side	Open end		<b>-LE</b>	
	Plug M8x1, A-coded, EN 61076-2-104		<b>-M8</b>	
	Plug M12x1, A-coded, EN 61076-2-101		<b>-M12</b>	
Cable outlet on the right	None			
	Straight	[5]	<b>G</b>	
	Angled	[5]	<b>W</b>	
Number of pins/wires on the right	3-pin	[6]	<b>3</b>	
	4-pin		<b>4</b>	
Cable length on the right [m]	None			
	0.3 ... 30	[7]	<b>-...R</b>	

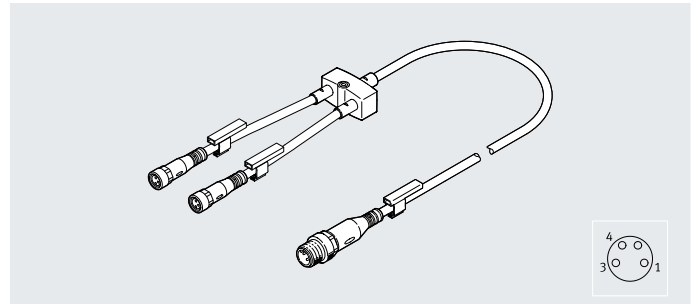
- 1) Not in combination with number of pins/wires on the right: 3
- 2) P Not in combination with cable outlet on the left G, R
- 3) -U Only with cable length on the left or cable length on the right
- 4) -...L The sum of the cable length on the left and cable length on the right must not exceed 30 m  
Mandatory specification in combination with cable outlet on the left, R or W
- 5) G, W Not in combination with connection technology on the right, controller side LE
- 6) 3 Only with connection technology on the right, LE  
Not in combination with indicator P
- 7) -...R The sum of the cable length on the left and cable length on the right must not exceed 30 m  
Mandatory specification in combination with cable outlet on the right, W  
Mandatory specification in combination with connection technology on the right, controller side LE



## Data sheet

## Distributor NEDY-L2R1-V1-M8

- Dual distributor
- For connecting valves
- With LED indicator for signal status for connecting valves
- For connecting sensors



General technical data			
Display	None	Yellow LED, signal status	
Design	Y-distributor		
Distributor type	Y type		
Type of mounting	Via accessories, via through-hole for M2 screw		
Cable designation	Via inscription label holder (optional)		
Based on standard	EN 61076-2-101, EN 61076-2-104		
Electrical connection 2			
Function	Field device side		
Connection type	2x socket		
Cable outlet	Angled, straight		
Design	Round		
Connection technology	M8x1, A-coded to EN 61076-2-104		
Number of pins/wires	4		
Assigned pins/wires	3	2	
Technical data – Electrical components			
Electrical connection 2	2x socket M8x1	Indicator L	
Operating voltage range	[V DC]	0 ... 30	21.6 ... 30
	[V AC]	0 ... 30	–
Surge resistance	[kV]	0.8	0.8
Acceptable current load at 40°C	[A]	3	3
Pollution degree		3	3
Technical data – Cable			
Electrical connection 2	2x socket M8x1	Indicator L	
Cable diameter, controller side	[mm]	4.5	4.5
Cable diameter, field device side	[mm]	4.5	3.3
Conductor nominal cross section	[mm <sup>2</sup> ]	0.25	
Cable characteristic	Suitable for use with energy chains/robot applications		
Note on cable characteristics	–	Standard for field device side	
Bending radius, flexible cable installation on controller side	[mm]	46	46
Bending radius, flexible cable installation on field device side	[mm]	46	34
Technical data – Cable test conditions			
Cable characteristic	Standard	Suitable for use with energy chains/robot applications	
Resistance to bending	To Festo standard	To Festo standard	
Test conditions	On request	On request	
Energy chain	1.5 million cycles	5 million cycles	
Bending radius	[mm]	75	28
Torsional strength	–	> 300000 cycles, ±270°/0.1 m	

## Data sheet

### Technical data – Electrical connection 1

Function	Controller side			
Connection type	Plug		Open end	
Cable outlet	Straight, angled	Straight, angled	–	–
Design	Round	Round	–	–
Connection technology	M8x1, A-coded	M12x1, A-coded	–	–
Number of pins/wires	4	4	3	4
Assigned pins/wires	4	4	3	4
Display	–	–	–	–
Based on standard	To EN 61076-2-104	To EN 61076-2-101	–	–

### Materials

Housing	PA, PC, TPE-U(PUR)
Housing colour	Black
Union nut	Nickel-plated brass
Threaded sleeve	Nickel-plated brass
Seals	NBR
Pin contacts	Gold-plated copper alloy
Cable sheath	TPE-U(PUR)
Cable sheath colour	Grey
Note on materials	RoHS-compliant Free of halogen and phosphoric acid ester
PWIS conformity	VDMA24364-B2-L

### Operating and environmental conditions

Ambient temperature	[°C]	–25 ... +80
Note on ambient temperature	[°C]	–10 ... +40 with mounting via through-hole
Ambient temperature with flexible cable installation	[°C]	–20 ... +80
Storage temperature	[°C]	–25 ... +80
Degree of protection		IP65/IP68, IP69K
CE marking (see declaration of conformity) <sup>1)</sup>		To EU RoHS Directive
UKCA marking (see declaration of conformity) <sup>1)</sup>		To UK RoHS instructions
Corrosion resistance class CRC <sup>2)</sup>		2

1) For information about the area of use, see the EC declaration of conformity at: [www.festo.com/catalogue/medy](http://www.festo.com/catalogue/medy) → Support/Downloads.

If the devices are subject to usage restrictions in residential, commercial or light-industrial environments, further measures for the reduction of the emitted interference may be necessary.

2) More information [www.festo.com/x/topic/kbk](http://www.festo.com/x/topic/kbk)

### Product weight

<b>2x socket [g]</b>		<b>2x cable [g/m]</b>		<b>Distributor [g]</b>		<b>Cable [g/m]</b>		<b>Plug [g]</b>	
M8x1	8	2-wire	31	With cable outlet	10	3-wire	19.5	M8x1	4.5
Socket M8x1 with LED	7	3-wire	41	With plug M12x1	17	4-wire	26.5	M12x1, straight	12
				With plug M8x1	7			M12x1, angled	12.5
								Open end	0

The weight of the individual components must be added together to determine the overall weight:

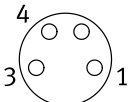
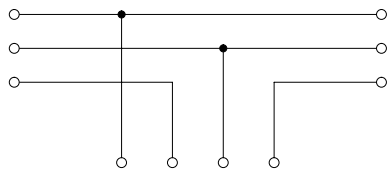
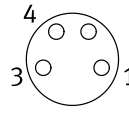
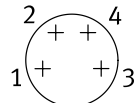
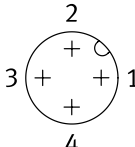
socket + length x cable + distributor + length x cable + plug

Example:

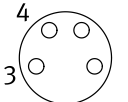
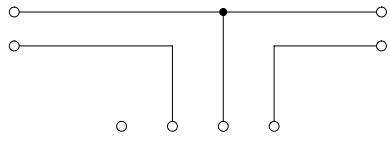
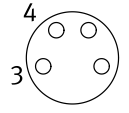
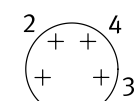
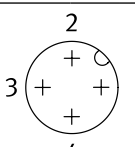
NEDY-L2R1-V1-M8G4-U-3L-LE4-10R

8 g + 3x 41 g + 10 g + 10x 26.5 g + 0 g = 406 g

Data sheet

Circuitry without signal status indication (socket/plug view)			Wiring allocation	Wire colour <sup>1)</sup>	Pin	Connection no. 2	
Connection no. 4	Pin	Wire colour <sup>1)</sup>					
	1	BN		BN	1		
	3	BU		BU	3		
	4	BK		BK	4		
		Wire colour <sup>1)</sup>	BN	BK	BU	WH	
		Pin	1	4	3	2	
		Plug M8x1					
							
		Plug M12x1					
							

1) To IEC 757

Circuitry with signal status indication (socket/plug view)			Wiring allocation	Wire colour <sup>1)</sup>	Pin	Connection no. 2	
Connection no. 4	Pin	Wire colour <sup>1)</sup>					
	3	BU		BU	3		
	4	BN		BN	4		
		Wire colour <sup>1)</sup>	-	BK	BU	BN	
		Pin	-	4	3	2	
		Plug M8x1					
							
		Plug M12x1					
							

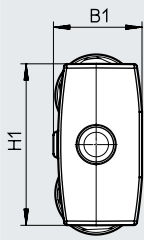
1) To IEC 757

Data sheet

Dimensions

Download CAD data → [www.festo.com](http://www.festo.com)

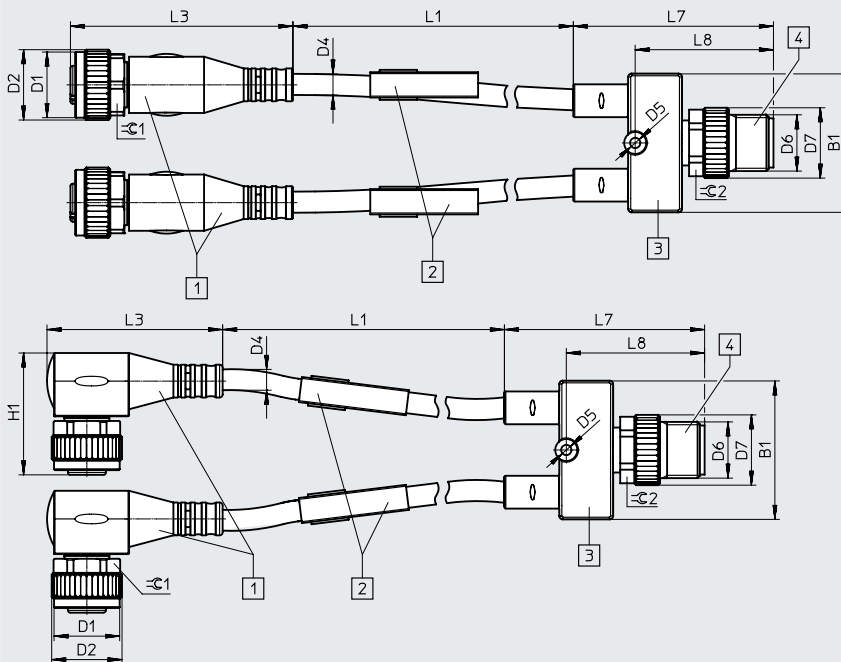
Distributor body front view



Distributor body front view

Distributor body front view		B1	H1
Size 1:	• Y-distributor with cable on field device side and plug M8x1	12	21
Size 2:	• Y-distributor with cable on field device side and plug M12x1 • Y-distributor with cable on both sides	16.2	29.6

Y-distributor with cable on field device side



- [1] Socket, field device side
- [2] Inscription label
- [3] Distributor
- [4] Plug, controller side

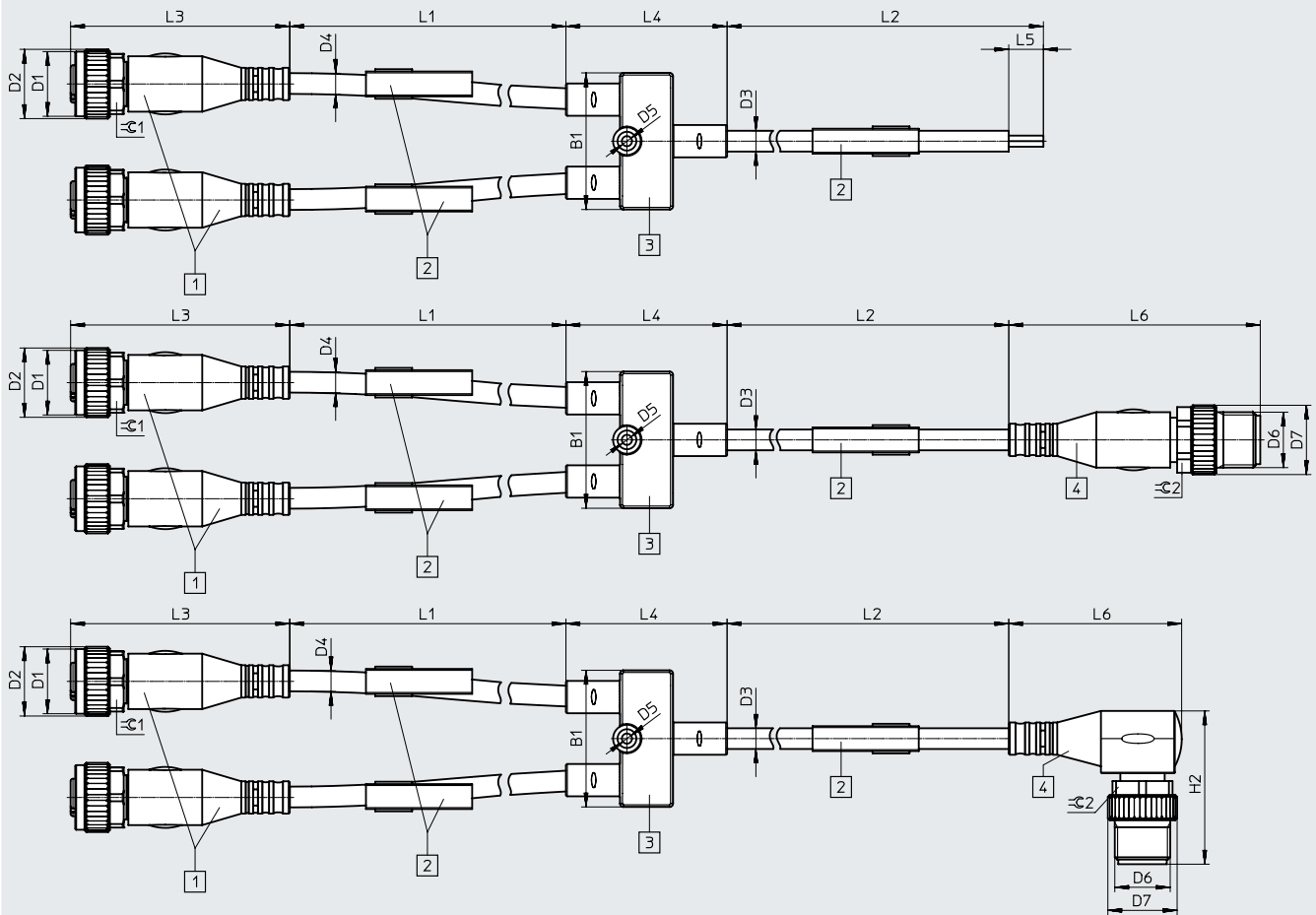
Electrical connection, controller side	B1	D1	D2	D4	D5	D6	D7	H1	L1	L3	L7	L8	∅1	∅2
<b>Electrical connection on field device side, straight, without signal status indication</b>														
Plug M8x1	21	M8	10	3.8	2.2	M8	10	-	300 ... 30000	34.6	35	21.6	9 mm	9 mm
Plug M12x1	29.6	M8	10	3.8	2.2	M12	15	-	300 ... 30000	34.6	42.7	29.5	9 mm	13 mm
<b>Electrical connection on field device side, straight, with signal status indication</b>														
Plug M8x1	21	M8	10	3.3	2.2	M8	10	-	300 ... 30000	34.6	35	21.6	9 mm	9 mm
Plug M12x1	29.6	M8	10	3.3	2.2	M12	15	-	300 ... 30000	34.6	42.7	29.5	9 mm	13 mm
<b>Electrical connection on field device side, angled, without signal status indication</b>														
Plug M8x1	21	M8	10	3.8	2.2	M8	10	17	300 ... 30000	26.9	35	21.6	9 mm	9 mm
Plug M12x1	29.6	M8	10	3.8	2.2	M12	15	17	300 ... 30000	26.9	42.7	29.5	9 mm	13 mm
<b>Electrical connection on field device side, angled, with signal status indication</b>														
Plug M8x1	21	M8	10	3.3	2.2	M8	10	17	300 ... 30000	26.9	35	21.6	9 mm	9 mm
Plug M12x1	29.6	M8	10	3.3	2.2	M12	15	17	300 ... 30000	26.9	42.7	29.5	9 mm	13 mm

Data sheet

Dimensions

Download CAD data → [www.festo.com](http://www.festo.com)

Y-distributor with cable on both sides



[1] Socket, field device side      [2] Inscription label      [3] Distributor      [4] Plug, controller side

Electrical connection, controller side		B1	D1	D2 ∅	D3 ∅	D4 ∅		D5 ∅	D6	H2
						Without LED	With LED			
Open cable end		29.6	M8	10	4.5	3.8	3.3	2.2	–	–
Plug M8x1	Straight	29.6	M8	10	4.5	3.8	3.3	2.2	M8	–
	Angled	29.6	M8	10	4.5	3.8	3.3	2.2	M8	24
Plug M12x1	Straight	29.6	M8	10	4.5	3.8	3.3	2.2	M12	–
	Angled	29.6	M8	10	4.5	3.8	3.3	2.2	M12	33.2

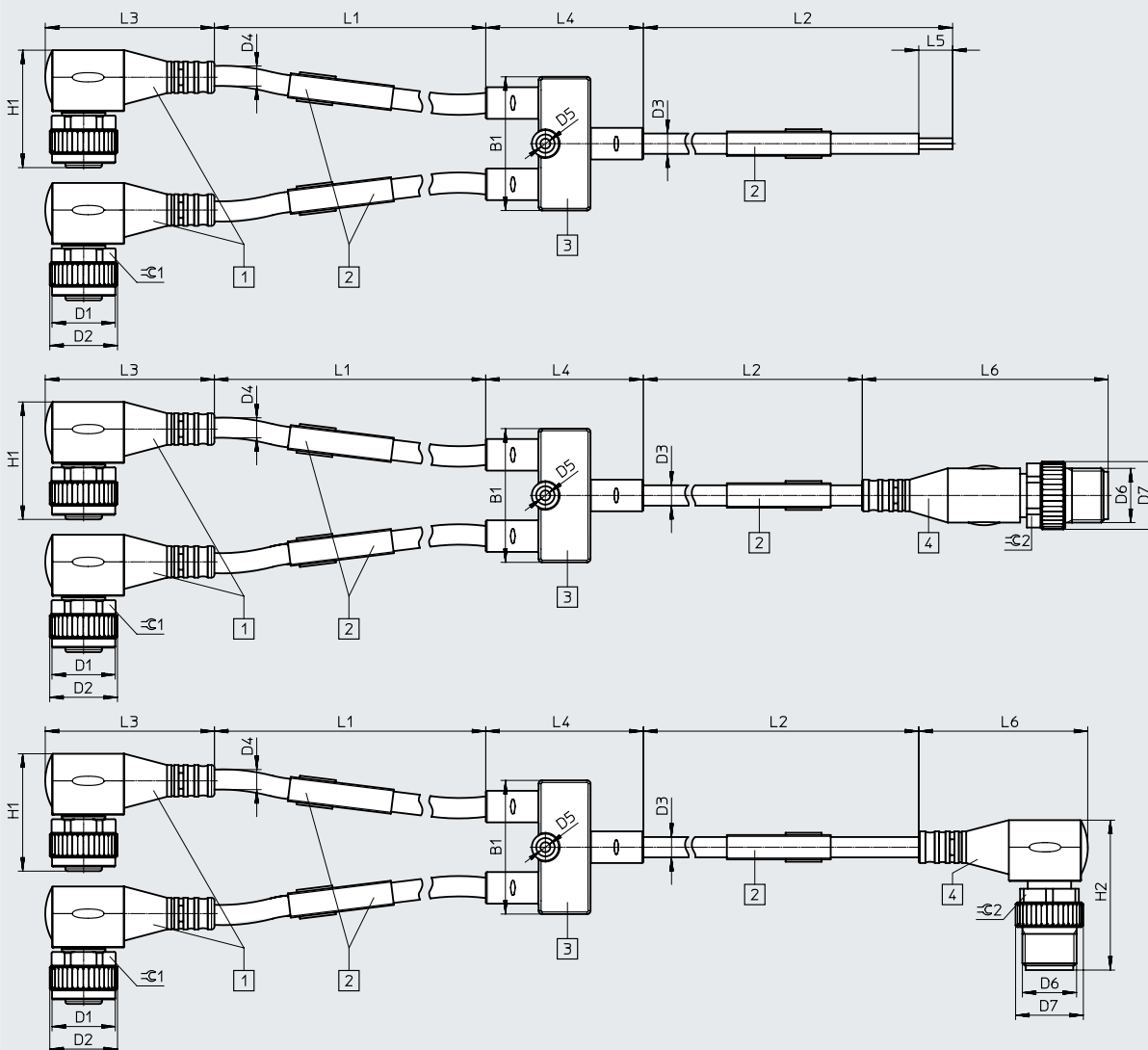
Electrical connection, controller side		L1	L2	L3	L4	L5	L6	⌀1	⌀2
Plug M8x1	Straight	(300 ... 30000)-L2	(300 ... 30000)-L1	34.6	34.9	–	41.1	9 mm	9 mm
	Angled	(300 ... 30000)-L2	(300 ... 30000)-L1	34.6	34.9	–	26.9	9 mm	9 mm
Plug M12x1	Straight	(300 ... 30000)-L2	(300 ... 30000)-L1	34.6	34.9	–	54.5	9 mm	13 mm
	Angled	(300 ... 30000)-L2	(300 ... 30000)-L1	34.6	34.9	–	37.5	9 mm	13 mm

Data sheet

Dimensions

Download CAD data → [www.festo.com](http://www.festo.com)

Y-distributor with cable on both sides



[1] Socket, field device side

[2] Inscription label

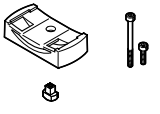
[3] Distributor

[4] Plug, controller side

Electrical connection, controller side	B1	D1	D2 ∅	D3 ∅	D4 ∅		D5 ∅	D6	H1	H2
					Without LED	With LED				
Open cable end	29.6	M8	10	4.5	3.8	3.3	2.2	–	17	–
Plug M8x1	29.6	M8	10	4.5	3.8	3.3	2.2	M8	17	–
Plug M12x1	29.6	M8	10	4.5	3.8	3.3	2.2	M12	17	–

Electrical connection, controller side	L1	L2	L3	L4	L5	L6	≙ 1	≙ 2
Plug M8x1	(300 ... 30000)-L2	(300 ... 30000)-L1	26.9	34.9	–	41.1	9 mm	9 mm
Plug M12x1	(300 ... 30000)-L2	(300 ... 30000)-L1	26.9	34.9	–	54.5	9 mm	13 mm

## Data sheet

Ordering data – Accessories		Part no.	Type
	Mounting for T-slot	• For Y-distributor with cable on field device side and plug M8x1	<b>8032868</b> <b>NEAU-A-N8-1</b>
		• For Y-distributor with cable on field device side and plug M12x1	<b>8032869</b> <b>NEAU-A-N8-2</b>
		• For Y-distributor with cable on both sides	

## Ordering data – Modular product system

Ordering table		Condi- tions	Code	Enter code
Module no.	<b>8032867</b>			
Distributor	Sensor/actuator distributors		<b>NEDY</b>	NEDY
Distributor type	Y type		<b>-L2R1</b>	-L2R1
Wiring allocation	Standard variant (see circuit diagram, standard)		<b>-V1</b>	-V1
Connection technology on the left, field device side	Socket M8x1, A-coded, EN 61076-2-104		<b>-M8</b>	-M8
Cable outlet on the left	Straight		<b>G</b>	
	Angled		<b>W</b>	
Number of pins/wires on the left	4-pin		<b>4</b>	4
Display	None	[1]		
	Signal status LED (for valves only)		<b>L</b>	
Cable characteristic	Suitable for use with energy chains/robot applications		<b>-U</b>	-U
Cable length on the left [m]	0.3 ... 30	[2]	<b>-...L</b>	
Cable designation	With inscription label holder			
	Without inscription label holder		<b>-N</b>	
Connection technology on the right, controller side	Open end		<b>-LE</b>	
	Plug M8x1, A-coded, EN 61076-2-104		<b>-M8</b>	
	Plug M12x1, A-coded, EN 61076-2-101		<b>-M12</b>	
Cable outlet on the right	None			
	Straight	[3]	<b>G</b>	
	Angled	[3]	<b>W</b>	
Number of pins/wires on the right	3-pin	[4]	<b>3</b>	
	4-pin		<b>4</b>	
Cable length on the right [m]	None			
	0.3 ... 30	[5]	<b>-...R</b>	

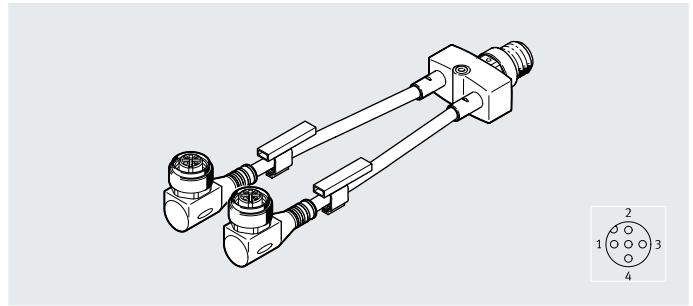
- 1) Not in combination with number of pins/wires on the right: 3
- 2) -...L The sum of the cable length on the left and cable length on the right must not exceed 30 m
- 3) G, W Not in combination with connection technology on the right, controller side LE
- 4) 3 Only with connection technology on the right, LE
- 5) -...R The sum of the cable length on the left and cable length on the right must not exceed 30 m  
Mandatory specification in combination with cable outlet on the right, W  
Mandatory specification in combination with connection technology on the right, controller side LE



Data sheet

Distributor NEDY-L2R1-V1-M12

- Dual distributor
- For connecting valves
- For connecting sensors
- With LED indicator for ready and switching status for connecting PNP sensors



General technical data		
Display	None	Yellow LED, ready and switching status
Design	Y-distributor	
Distributor type	Y type	
Type of mounting	Via accessories, via through-hole for M2 screw	
Cable designation	Via inscription label holder (optional)	
Based on standard	EN 61076-2-101, EN 61076-2-104	
Electrical connection 2		
Function	Field device side	
Connection type	2x socket	
Cable outlet	Angled, straight	Angled
Design	Round	
Connection technology	M12x1, A-coded to EN 61076-2-101	
Number of pins/wires	5	
Assigned pins/wires	4	3

Technical data – Electrical components						
		Electrical connection 1			Electrical connection 2	
		Plug M12x1	Plug M8x1	Open end	No indicator	Indicator P
Operating voltage range	[V DC]	0 ... 30	0 ... 30	0 ... 30	0 ... 30	10 ... 30
	[V AC]	0 ... 30	0 ... 30	0 ... 30	–	–
Surge resistance	[kV]	0.8	0.8	0.8	0.8	0.8
Acceptable current load at 40°C	[A]	4	3	4	4	4
Pollution degree		3	3	3	3	3

Technical data – Cable		
Cable diameter, controller side	[mm]	4.5
Cable diameter, field device side	[mm]	4.5
Conductor nominal cross section	[mm <sup>2</sup> ]	0.25
Cable characteristic	Suitable for use with energy chains/robot applications	
Cable test conditions	Resistance to bending: to Festo standard, test conditions on request • Energy chain: 5 million cycles, bending radius: 28 mm • Torsional strength: > 300000 cycles, ±270°/0.1 m	
Bending radius, flexible cable installation	[mm]	46

## Data sheet

### Technical data – Electrical connection 1

Function	Controller side		
Connection type	Plug		Open end
Cable outlet	Straight, angled	Straight, angled	–
Design	Round	Round	–
Connection technology	M8x1, A-coded	M12x1, A-coded	–
Number of pins/wires	4	4	4
Assigned pins/wires	4	4	4
Display	–	–	–
Based on standard	To EN 61076-2-104	To EN 61076-2-101	–

### Materials

Housing	PA, TPE-U(PUR)
Housing colour	Black
Union nut	Nickel-plated brass
Threaded sleeve	Nickel-plated brass
Seals	NBR
Pin contacts	Gold-plated copper alloy
Cable sheath	TPE-U(PUR)
Cable sheath colour	Grey
Note on materials	RoHS-compliant Free of halogen and phosphoric acid ester
PWIS conformity	VDMA24364-B2-L

### Operating and environmental conditions

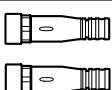
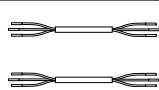
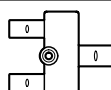
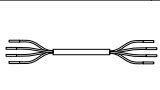
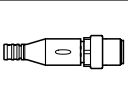
Ambient temperature	[°C]	–25 ... +80
Note on ambient temperature	[°C]	–10 ... +40 with mounting via through-hole
Ambient temperature with flexible cable installation	[°C]	–20 ... +80
Storage temperature	[°C]	–25 ... +80
Degree of protection		IP65/IP68, IP69K
CE marking (see declaration of conformity) <sup>1)</sup>		To EU RoHS Directive
UKCA marking (see declaration of conformity) <sup>1)</sup>		To UK RoHS instructions
Corrosion resistance class CRC <sup>2)</sup>		2

1) For information about the area of use, see the EC declaration of conformity at: [www.festo.com/catalogue/medy](http://www.festo.com/catalogue/medy) → Support/Downloads.

If the devices are subject to usage restrictions in residential, commercial or light-industrial environments, further measures for the reduction of the emitted interference may be necessary.

2) More information [www.festo.com/x/topic/kbk](http://www.festo.com/x/topic/kbk)

### Product weight

									
<b>2x socket [g]</b>		<b>2x cable [g/m]</b>		<b>Distributor [g]</b>		<b>Cable [g/m]</b>		<b>Plug [g]</b>	
M12x1, straight	18	3-wire	41	With cable outlet	10	4-wire	26.5	M8x1	4.5
M12x1, angled	20	4-wire	53	With plug M12x1	17			M12x1, straight	12
				With socket M12x1	19			M12x1, angled	12.5
				With plug M8x1	7			Open end	0

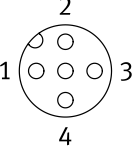
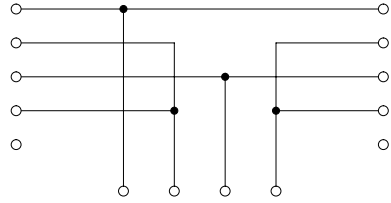
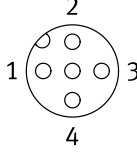
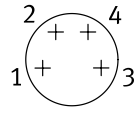
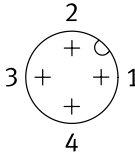
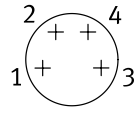
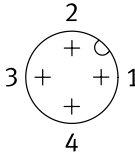
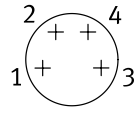
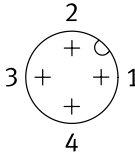
The weight of the individual components must be added together to determine the overall weight:  
socket + length x cable + distributor + length x cable + plug

Example:

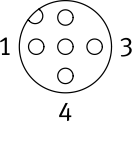
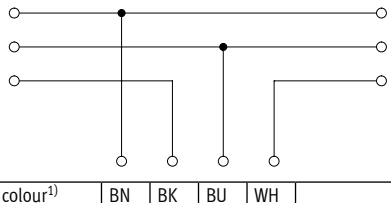
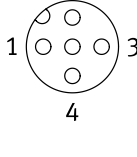
NEDY-L2R1-V1-M12G5-U-3L-LE4-10R

18 g + 3x 53 g + 10 g + 10x 26.5 g + 0 g = 452 g

Data sheet

Circuitry without indication (socket/plug view)		Connection no. 4		Wiring allocation		Wire colour <sup>1)</sup>		Pin		Connection no. 2																														
	1	BN		BN	1		2	WH	2	<table border="1"> <thead> <tr> <th>Wire colour<sup>1)</sup></th> <th>BN</th> <th>BK</th> <th>BU</th> <th>WH</th> <th></th> </tr> </thead> <tbody> <tr> <td>Pin</td> <td>1</td> <td>4</td> <td>3</td> <td>2</td> <td></td> </tr> </tbody> </table>	Wire colour <sup>1)</sup>	BN	BK	BU	WH		Pin	1	4	3	2		3	BU	3	<table border="1"> <thead> <tr> <th colspan="2">Plug M8x1</th> </tr> </thead> <tbody> <tr> <td colspan="2">  </td> </tr> <tr> <th colspan="2">Plug M12x1</th> </tr> <tr> <td colspan="2">  </td> </tr> </tbody> </table>	Plug M8x1				Plug M12x1				4	BK	4	5	-	5
	Wire colour <sup>1)</sup>	BN		BK	BU		WH																																	
	Pin	1		4	3		2																																	
	Plug M8x1																																							
																																								
Plug M12x1																																								
																																								
	5	-		-	5																																			

1) To IEC 757

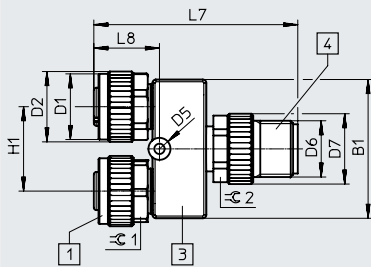
Circuitry with indication (socket/plug view)		Connection no. 4		Wiring allocation		Wire colour <sup>1)</sup>		Pin		Connection no. 2																		
	1	BN		BN	1		3	BU	3	<table border="1"> <thead> <tr> <th>Wire colour<sup>1)</sup></th> <th>BN</th> <th>BK</th> <th>BU</th> <th>WH</th> <th></th> </tr> </thead> <tbody> <tr> <td>Pin</td> <td>1</td> <td>4</td> <td>3</td> <td>2</td> <td></td> </tr> </tbody> </table>	Wire colour <sup>1)</sup>	BN	BK	BU	WH		Pin	1	4	3	2		4	BK	4	2	-	2
	Wire colour <sup>1)</sup>	BN		BK	BU		WH																					
	Pin	1		4	3		2																					
		2		-			-	2			5	-	5															
	5	-		-	5																							

1) To IEC 757

Data sheet

Dimensions

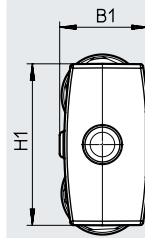
Y-distributor without cable



- [1] Socket, field device side
- [3] Distributor
- [4] Plug, controller side

Download CAD data → [www.festo.com](http://www.festo.com)

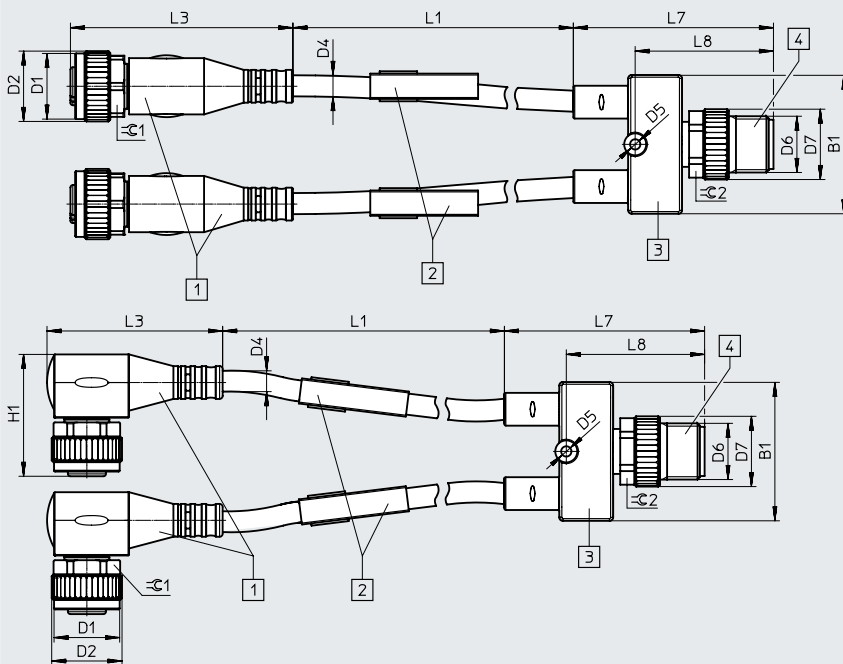
Distributor body front view



Electrical connection, controller side	B1	D1	D2	D5	D6	D7	H1	L7	L8	⌀ 1	⌀ 2
Plug M12x1	29.6	M12	15	2.2	M12	15	18	43.5	14	13 mm	13 mm

Distributor body front view	B1	H1	
Size 1:	• Y-distributor with cable on field device side and plug M8x1	12	21
Size 2:	• Y-distributor without cable • Y-distributor with cable on field device side and plug M12x1 • Y-distributor with cable on both sides	16.2	29.6

Y-distributor with cable on field device side



- [1] Socket, field device side
- [2] Inscription label
- [3] Distributor
- [4] Plug, controller side

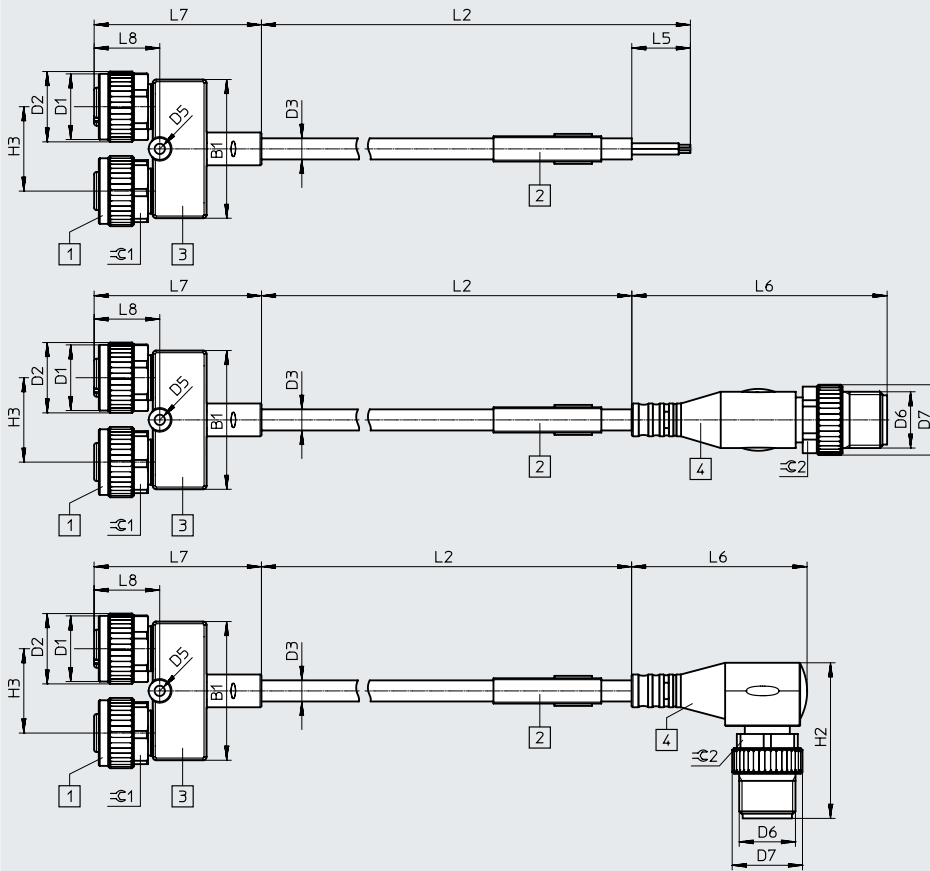
Electrical connection, controller side	B1	D1	D2	D4	D5	D6	D7	H1	L1	L3	L7	L8	⌀ 1	⌀ 2
<b>Electrical connection, field device side, straight</b>														
Plug M12x1	29.6	M12	15	4.5	2.2	M12	15	-	300 ... 30000	47.5	42.7	29.5	13 mm	13 mm
<b>Electrical connection, field device side, angled</b>														
Plug M12x1	29.6	M12	15	4.5	2.2	M12	15	26	300 ... 30000	37.5	42.7	29.5	13 mm	13 mm

Data sheet

Dimensions

Download CAD data → [www.festo.com](http://www.festo.com)

Y-distributor with cable on controller side



[1] Socket, field device side

[2] Inscription label

[3] Distributor

[4] Plug, controller side

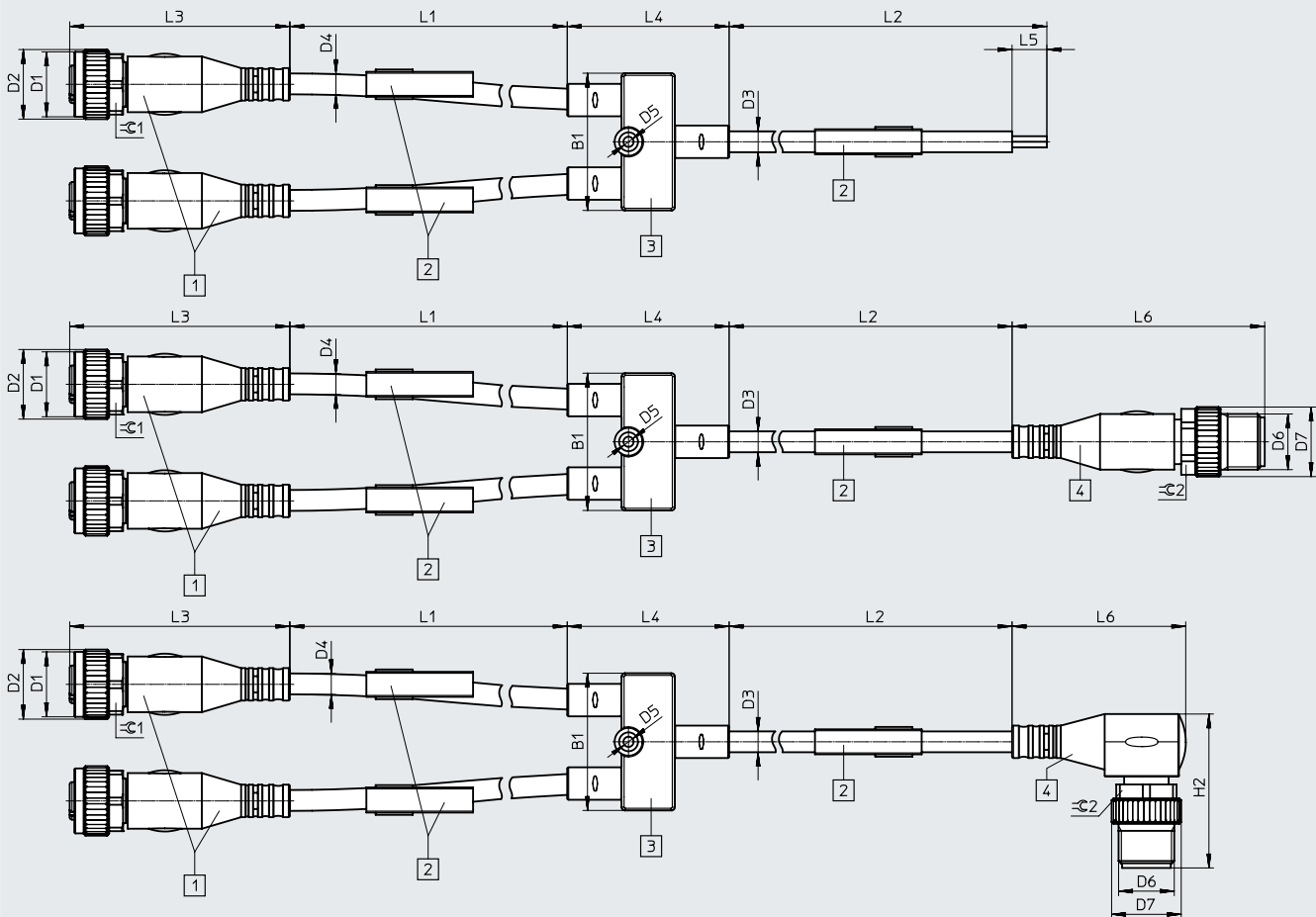
Electrical connection, controller side	B1	D1	D2 ∅	D3 ∅	D5 ∅	D6	D7 ∅	H2	H3	L2	L5	L6	L7	L8	≅ 1	≅ 2
Open cable end	29.6	M12	15	4.5	2.2	-	-	-	18	300 ... 30000	50	-	35.7	14	13 mm	-
Plug M8x1	29.6	M12	15	4.5	2.2	M8	10	-	18	300 ... 30000	-	41.1	35.7	14	13 mm	9 mm
								24	18	300 ... 30000	-	26.9	35.7	14	13 mm	9 mm
Plug M12x1	29.6	M12	15	4.5	2.2	M12	15	-	18	300 ... 30000	-	54.5	35.7	14	13 mm	13 mm
								33.2	18	300 ... 30000	-	37.5	35.7	14	13 mm	13 mm

Data sheet

Dimensions

Download CAD data → [www.festo.com](http://www.festo.com)

Y-distributor with cable on both sides



[1] Socket, field device side      [2] Inscription label      [3] Distributor      [4] Plug, controller side

Electrical connection, controller side		B1	D1	D2 ∅	D3 ∅	D4 ∅	D5 ∅	D6	H2
Open cable end		29.6	M12	15	4.5	4.5	2.2	–	–
Plug M8x1	Straight	29.6	M12	15	4.5	4.5	2.2	M8	–
	Angled	29.6	M12	15	4.5	4.5	2.2	M8	24
Plug M12x1	Straight	29.6	M12	15	4.5	4.5	2.2	M12	–
	Angled	29.6	M12	15	4.5	4.5	2.2	M12	33.2

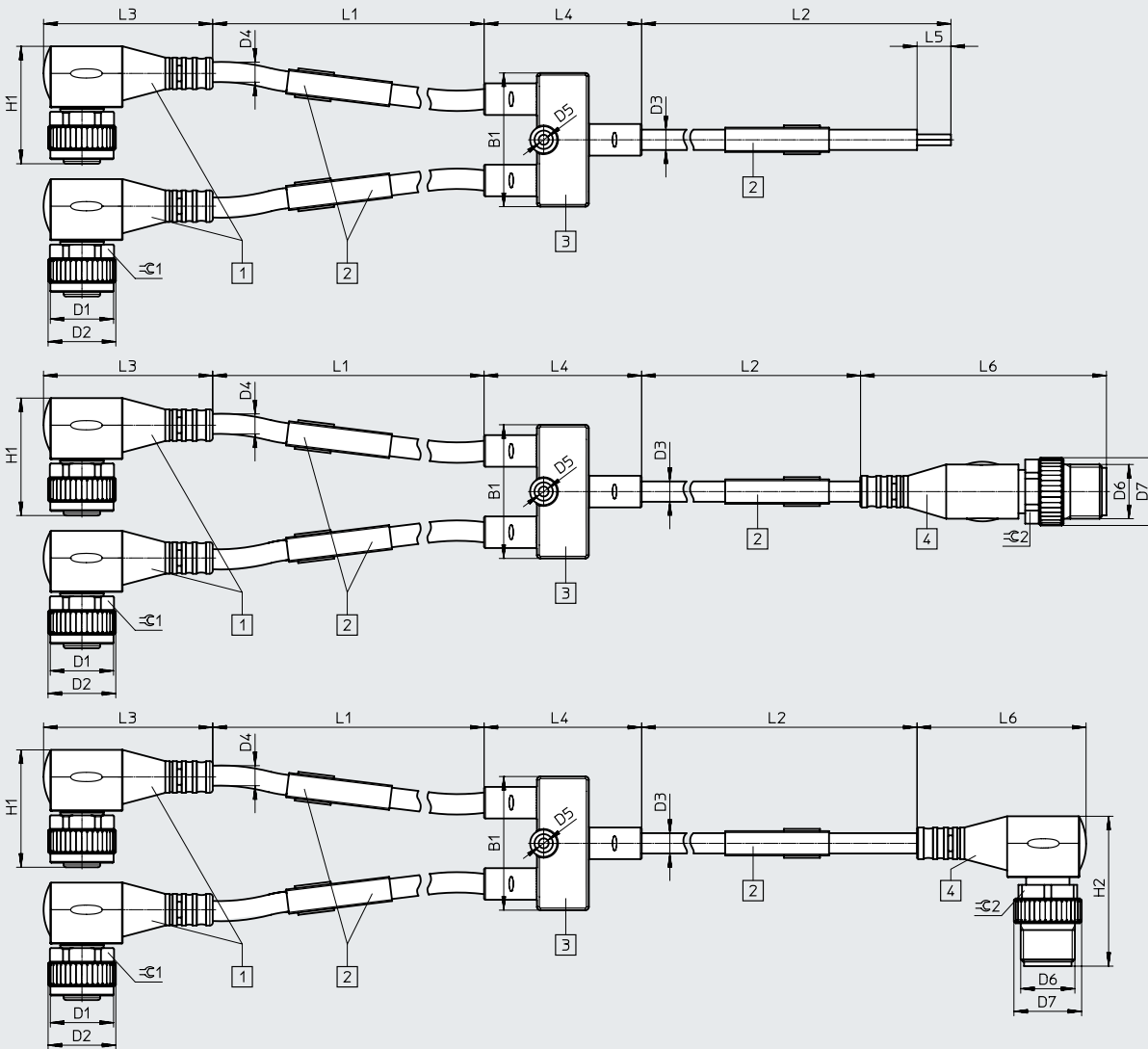
Electrical connection, controller side		L1	L2	L3	L4	L5	L6	≅ 1	≅ 2
Open cable end		(300 ... 30000)-L2	(300 ... 30000)-L1	47.5	34.9	50	–	13 mm	–
Plug M8x1	Straight	(300 ... 30000)-L2	(300 ... 30000)-L1	47.5	34.9	–	41.1	13 mm	9 mm
	Angled	(300 ... 30000)-L2	(300 ... 30000)-L1	47.5	34.9	–	26.9	13 mm	9 mm
Plug M12x1	Straight	(300 ... 30000)-L2	(300 ... 30000)-L1	47.5	34.9	–	54.5	13 mm	13 mm
	Angled	(300 ... 30000)-L2	(300 ... 30000)-L1	47.5	34.9	–	37.5	13 mm	13 mm

Data sheet

Dimensions

Download CAD data → [www.festo.com](http://www.festo.com)

Y-distributor with cable on both sides



[1] Socket, field device side

[2] Inscription label



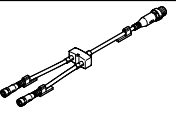
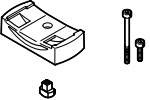
[3] Distributor

[4] Plug, controller side

Electrical connection, controller side	B1	D1	D2 ∅	D3 ∅	D4 ∅	D5 ∅	D6	H1	H2
Open cable end	29.6	M12	15	4.5	4.5	2.2	–	26	–
Plug M8x1	Straight	29.6	M12	15	4.5	4.5	M8	26	–
	Angled	29.6	M12	15	4.5	4.5	M8	26	24
Plug M12x1	Straight	29.6	M12	15	4.5	4.5	M12	26	–
	Angled	29.6	M12	15	4.5	4.5	M12	26	33.2

Electrical connection, controller side	L1	L2	L3	L4	L5	L6	∅1	∅2	
Open cable end	(300 ... 30000)-L2	(300 ... 30000)-L1	37.5	34.9	50	–	13 mm	–	
Plug M8x1	Straight	(300 ... 30000)-L2	(300 ... 30000)-L1	37.5	34.9	–	41.1	13 mm	9 mm
	Angled	(300 ... 30000)-L2	(300 ... 30000)-L1	37.5	34.9	–	26.9	13 mm	9 mm
Plug M12x1	Straight	(300 ... 30000)-L2	(300 ... 30000)-L1	37.5	34.9	–	54.5	13 mm	13 mm
	Angled	(300 ... 30000)-L2	(300 ... 30000)-L1	37.5	34.9	–	37.5	13 mm	13 mm

Data sheet

Ordering data						
	Field device side	Controller side		Weight [g]	Part no.	Type
	Cable length [m]	Electrical connection	Cable length [m]			
<b>Y-distributor without cable</b>						
	0	Plug, straight, M12x1	0	27	<b>8005310</b>	<b>NEDY-L2R1-V1-M12G5-N-M12G4</b>
<b>Y-distributor with cable on controller side</b>						
	0	Plug, straight, M8x1	2.5	90	<b>8032307</b>	<b>NEDY-L2R1-V1-M12G5-U-M8G4-2.5R</b>
			5	156	<b>8032308</b>	<b>NEDY-L2R1-V1-M12G5-U-M8G4-5R</b>
		Plug, straight, M12x1	2.5	97	<b>8005305</b>	<b>NEDY-L2R1-V1-M12G5-U-M12G4-2.5R</b>
			5	164	<b>8005306</b>	<b>NEDY-L2R1-V1-M12G5-U-M12G4-5R</b>
<b>Y-distributor with cable on both sides</b>						
	0.3	Plug, straight, M8x1	2.5	113	<b>8035777</b>	<b>NEDY-L2R1-V1-M12G5-U-0.3L-M8G4-2.5R</b>
			5	179	<b>8035778</b>	<b>NEDY-L2R1-V1-M12G5-U-0.3L-M8G4-5R</b>
		Plug, straight, M12x1	2.5	120	<b>8035775</b>	<b>NEDY-L2R1-V1-M12G5-U-0.3L-M12G4-2.5R</b>
			5	187	<b>8035776</b>	<b>NEDY-L2R1-V1-M12G5-U-0.3L-M12G4-5R</b>
<b>Ordering data – Accessories</b>						
	Mounting for T-slot	• For Y-distributor with cable on field device side and plug M8x1			<b>8032868</b>	<b>NEAU-A-N8-1</b>
		• For Y-distributor without cable • For Y-distributor with cable on field device side and plug M12x1 • For Y-distributor with cable on controller side • For Y-distributor with cable on both sides			<b>8032869</b>	<b>NEAU-A-N8-2</b>



## Ordering data – Modular product system

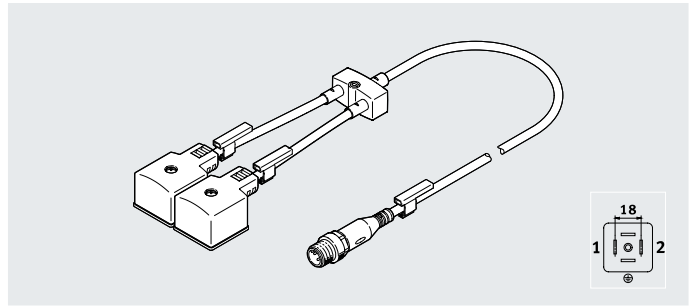
Ordering table		Condi- tions	Code	Enter code
Module no.	<b>8032867</b>			
Distributor	Sensor/actuator distributors		<b>NEDY</b>	NEDY
Distributor type	Y type		<b>-L2R1</b>	-L2R1
Wiring allocation	Standard variant (see circuit diagram, standard)		<b>-V1</b>	-V1
Connection technology on the left, field device side	Socket M12x1, A-coded, EN 61076-2-101		<b>-M12</b>	-M12
Cable outlet on the left	Straight		<b>G</b>	
	Angled		<b>W</b>	
Number of pins/wires on the left	5-pin		<b>5</b>	5
Display	None			
	LED: ready for operation and switching status (for PNP sensors only)	[1]	<b>P</b>	
Cable characteristic	None			
	Suitable for use with energy chains/robot applications	[2]	<b>-U</b>	
Cable length on the left [m]	None			
	0.3 ... 30	[3]	<b>-...L</b>	
Cable designation	With inscription label holder	[2]		
	Without inscription label holder		<b>-N</b>	
Connection technology on the right, controller side	Open end		<b>-LE</b>	
	Plug M8x1, A-coded, EN 61076-2-104	[2]	<b>-M8</b>	
	Plug M12x1, A-coded, EN 61076-2-101		<b>-M12</b>	
Cable outlet on the right	None			
	Straight	[4]	<b>G</b>	
	Angled	[4]	<b>W</b>	
Number of pins/wires on the right	4-pin		<b>4</b>	4
Cable length on the right [m]	None			
	0.3 ... 30	[5]	<b>-...R</b>	

- 1) P Not in combination with cable outlet on the left, G  
2) -U, -M8 Only with cable length on the left or cable length on the right  
3) -...L The sum of the cable length on the left and cable length on the right must not exceed 30 m  
4) G, W Not in combination with connection technology on the right, controller side LE  
5) -...R The sum of the cable length on the left and cable length on the right must not exceed 30 m  
Mandatory specification in combination with cable outlet on the right, W  
Mandatory specification in combination with connection technology on the right, controller side M8  
Mandatory specification in combination with connection technology on the right, controller side LE

## Data sheet

### Distributor NEDY-L2R1-V1-A1

- Dual distributor
- For connecting valves



#### General technical data

Design	Y-distributor
Distributor type	Y type
Type of mounting	Via accessories, via through-hole for M2 screw
Cable designation	Via inscription label holder (optional)
Based on standard	EN 175301-803, EN 61076-2-101, EN 61076-2-104

#### Electrical connection 2

Function	Field device side
Connection type	2x socket
Cable outlet	Angled
Design	Rectangular
Connection technology	Plug pattern type A to EN 175301-803
Number of pins/wires	4
Assigned pins/wires	2
Display	Yellow LED, signal status indication

#### Technical data – Electrical components

Electrical connection 1	Plug M8x1	Plug M12x1	Open end
Operating voltage range [V DC]	20.4 ... 27.6	20.4 ... 27.6	20.4 ... 27.6
Surge resistance [kV]	0.8	0.8	0.8
Acceptable current load at 40°C [A]	3	4	4
Pollution degree	3	3	3

#### Technical data – Cable

Cable diameter [mm]	3.8
Conductor nominal cross section [mm <sup>2</sup> ]	0.25
Cable characteristic	Suitable for use with energy chains/robot applications
Cable test conditions	Resistance to bending: to Festo standard, test conditions on request <ul style="list-style-type: none"> <li>• Energy chain: 5 million cycles, bending radius: 28 mm</li> <li>• Torsional strength: &gt; 300000 cycles, ±270°/0.1 m</li> </ul>
Bending radius, flexible cable installation [mm]	39

Data sheet

**Technical data – Electrical connection 1**

Function	Controller side		
Connection type	Plug		Open end
Cable outlet	Straight, angled	Straight, angled	–
Design	Round	Round	–
Connection technology	M8x1, A-coded	M12x1, A-coded	–
Number of pins/wires	4	4	3
Assigned pins/wires	3	3	3
Display	–	–	–
Based on standard	To EN 61076-2-104	To EN 61076-2-101	–

**Materials**

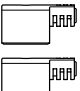
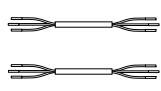
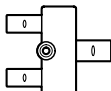
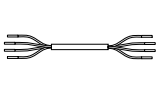
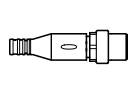
Housing	PA, PC, TPE-U(PUR)
Housing colour	Black
Threaded sleeve	Nickel-plated brass
Seals	NBR
Pin contacts	Gold-plated copper alloy, silver-plated copper alloy
Cable sheath	TPE-U(PUR)
Cable sheath colour	Grey
Note on materials	RoHS-compliant Free of halogen and phosphoric acid ester
PWIS conformity	VDMA24364-B2-L

**Operating and environmental conditions**

Ambient temperature	[°C]	–20 ... +80
Note on ambient temperature	[°C]	–10 ... +40 with mounting via through-hole
Ambient temperature with flexible cable installation	[°C]	–20 ... +80
Storage temperature	[°C]	–20 ... +80
Degree of protection		IP65/IP67
CE marking (see declaration of conformity) <sup>1)</sup>		To EU RoHS Directive
UKCA marking (see declaration of conformity) <sup>1)</sup>		To UK RoHS instructions
Corrosion resistance class CRC <sup>2)</sup>		1

- 1) For information about the area of use, see the EC declaration of conformity at: [www.festo.com/catalogue/medy](http://www.festo.com/catalogue/medy) → Support/Downloads.  
If the devices are subject to usage restrictions in residential, commercial or light-industrial environments, further measures for the reduction of the emitted interference may be necessary.
- 2) More information [www.festo.com/x/topic/kbk](http://www.festo.com/x/topic/kbk)

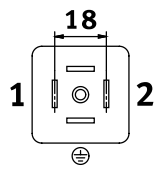
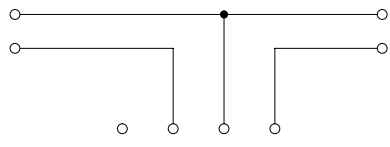
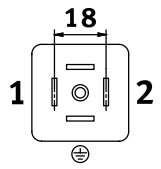
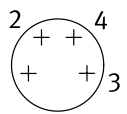
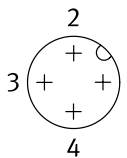
**Product weight**

				
<b>2x socket [g]</b>	<b>2x cable [g/m]</b>	<b>Distributor [g]</b>	<b>Cable [g/m]</b>	<b>Plug [g]</b>
Plug pattern type A   41	3-wire   41	With cable outlet   10 With plug M12x1   17 With plug M8x1   7 With socket M8x1   8	3-wire   19.5	M8x1   4.5 M12x1, straight   12 M12x1, angled   12.5 Open end   0

The weight of the individual components must be added together to determine the overall weight:  
socket + length x cable + distributor + length x cable + plug

Example:  
NEDY-L2R1-V1-A1W4L-U-3L-LE3-10R  
41 g + 3x 41 g + 10 g + 10x 19.5 g + 0 g = 369 g

Data sheet

Circuitry (socket/plug view)		Wiring allocation				Wire colour <sup>1)</sup>		Pin		Connection no. 2	
	1	BN					BN	1		2	
	2	BU					Wire colour <sup>1)</sup>	-			
			1	4	3	2					
		Plug M8x1									
											
		Plug M12x1									
											

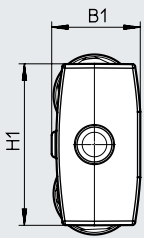
1) To IEC 757

Data sheet

Dimensions

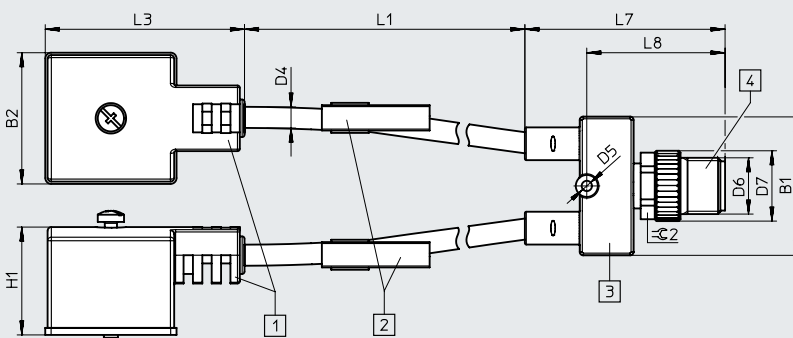
Download CAD data → [www.festo.com](http://www.festo.com)

Distributor body front view



Distributor body front view		B1	H1
Size 1:	• Y-distributor with cable on field device side and plug M8x1	12	21
Size 2:	• Y-distributor with cable on field device side and plug M12x1 • Y-distributor with cable on both sides	16.2	29.6

Y-distributor with cable on field device side



- [1] Socket, field device side      [2] Inscription label      [3] Distributor      [4] Plug, controller side

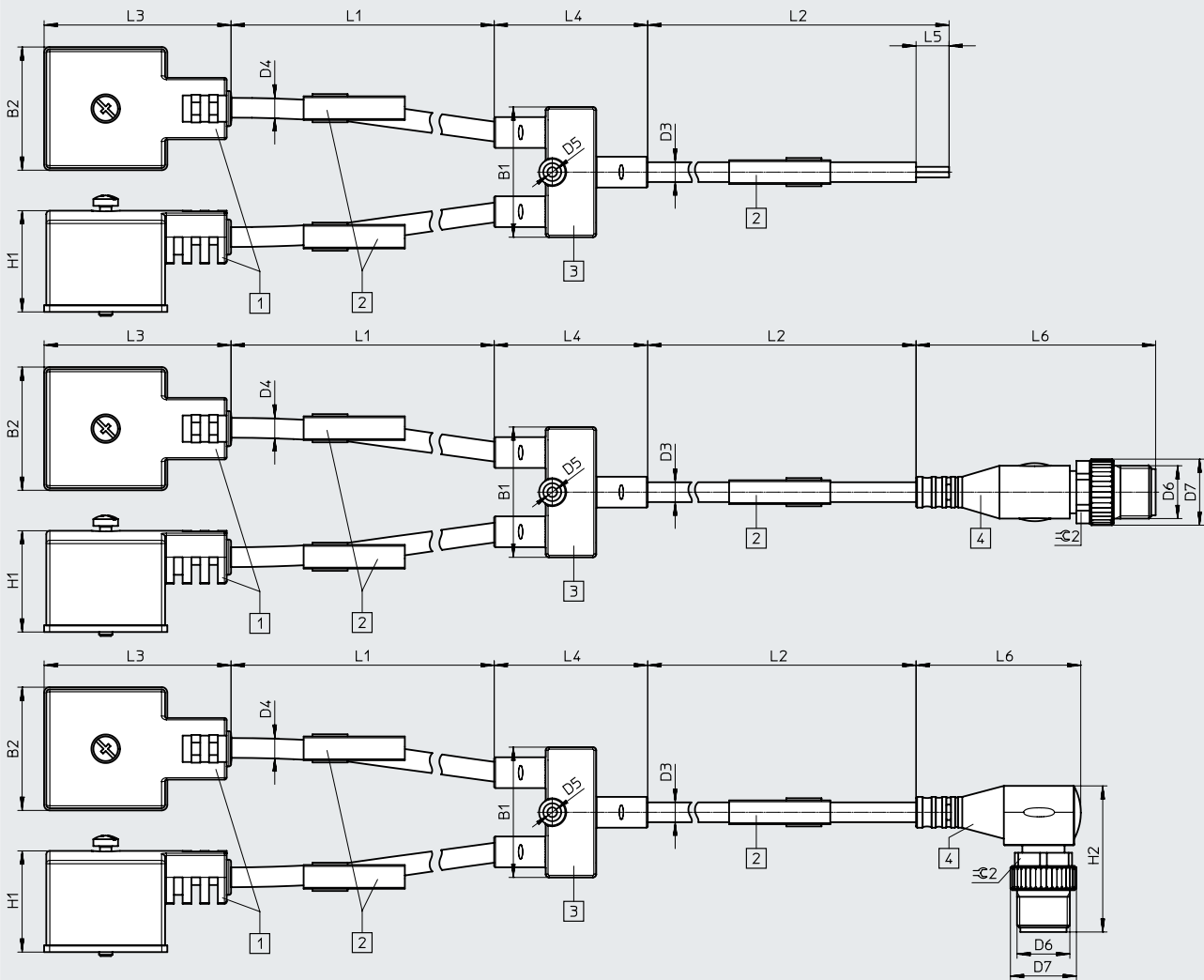
Electrical connection, controller side	B1	B2	D4 ∅	D5 ∅	D6	D7 ∅	H1	L1	L3	L7	L8	±0.2
Plug M8x1	21	27	3.8	2.2	M8	10	23.6	300 ... 30000	42	35	21.6	9 mm
Plug M12x1	29.6	27	3.8	2.2	M12	15	23.6	300 ... 30000	42	42.7	29.5	13 mm

Data sheet

Dimensions

Download CAD data → [www.festo.com](http://www.festo.com)

Y-distributor with cable on both sides

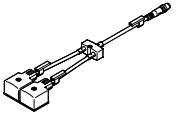
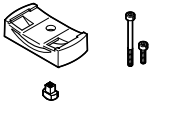


[1] Socket, field device side      [2] Inscription label      [3] Distributor      [4] Plug, controller side

Electrical connection, controller side	B1	B2	D3 ∅	D4 ∅	D5 ∅	D6	H1	H2
Open cable end	29.6	27	3.8	3.8	2.2	–	23.6	–
Plug M8x1	Straight	29.6	3.8	3.8	2.2	M8	23.6	–
	Angled	29.6	3.8	3.8	2.2	M8	23.6	24
Plug M12x1	Straight	29.6	3.8	3.8	2.2	M12	23.6	–
	Angled	29.6	3.8	3.8	2.2	M12	23.6	33.2

Electrical connection, controller side	L1	L2	L3	L4	L5	L6	⊕ 2
Open cable end	(300 ... 30000)-L2	(300 ... 30000)-L1	42	34.9	50	–	–
Plug M8x1	Straight	(300 ... 30000)-L1	42	34.9	–	41.1	SW9
	Angled	(300 ... 30000)-L1	42	34.9	–	26.9	SW9
Plug M12x1	Straight	(300 ... 30000)-L1	42	34.9	–	54.5	SW13
	Angled	(300 ... 30000)-L1	42	34.9	–	37.5	SW13

## Data sheet

Ordering data						
	Field device side	Controller side		Weight [g]	Part no.	Type
	Cable length [m]	Electrical connection	Cable length [m]			
<b>Y-distributor with cable on both sides</b>						
	0.3	Plug, straight, M8x1	2.5	117	<b>8035793</b>	<b>NEDY-L2R1-V1-A1W4L-U-0.3L-M8G4-2.5R</b>
			5	166	<b>8035794</b>	<b>NEDY-L2R1-V1-A1W4L-U-0.3L-M8G4-5R</b>
	0.3	Plug, straight, M12x1	2.5	123	<b>8035791</b>	<b>NEDY-L2R1-V1-A1W4L-U-0.3L-M12G4-2.5R</b>
			5	174	<b>8035792</b>	<b>NEDY-L2R1-V1-A1W4L-U-0.3L-M12G4-5R</b>
<b>Ordering data – Accessories</b>						
	Mounting for T-slot				Part no.	Type
		• For Y-distributor with cable on field device side and plug M8x1			<b>8032868</b>	<b>NEAU-A-N8-1</b>
		• For Y-distributor with cable on field device side and plug M12x1			<b>8032869</b>	<b>NEAU-A-N8-2</b>
• For Y-distributor with cable on both sides						

## Ordering data – Modular product system

Ordering table

		Condi- tions	Code	Enter code
Module no.	<b>8032867</b>			
Distributor	Sensor/actuator distributors		<b>NEDY</b>	NEDY
Distributor type	Y type		<b>-L2R1</b>	-L2R1
Wiring allocation	Standard variant (see circuit diagram, standard)		<b>-V1</b>	-V1
Connection technology on the left, field device side	Socket type A, EN 175301-803		<b>-A1</b>	-A1
Cable outlet on the left	Angled		<b>W</b>	W
Number of pins/wires on the left	4-pin		<b>4</b>	4
Display	Signal status LED (for valves only)		<b>L</b>	L
Cable characteristic	Suitable for use with energy chains/robot applications		<b>-U</b>	-U
Cable length on the left [m]	0.3 ... 30	[1]	<b>-...L</b>	
Cable designation	With inscription label holder			
	Without inscription label holder		<b>-N</b>	
Connection technology on the right, controller side	Open end		<b>-LE</b>	
	Plug M8x1, A-coded, EN 61076-2-104		<b>-M8</b>	
	Plug M12x1, A-coded, EN 61076-2-101		<b>-M12</b>	
Cable outlet on the right	None	[2]		
	Straight	[3]	<b>G</b>	
	Angled	[3]	<b>W</b>	
Number of pins/wires on the right	3-pin	[2]	<b>3</b>	
	4-pin	[4]	<b>4</b>	
Cable length on the right [m]	None			
	0.3 ... 30	[5]	<b>-...R</b>	

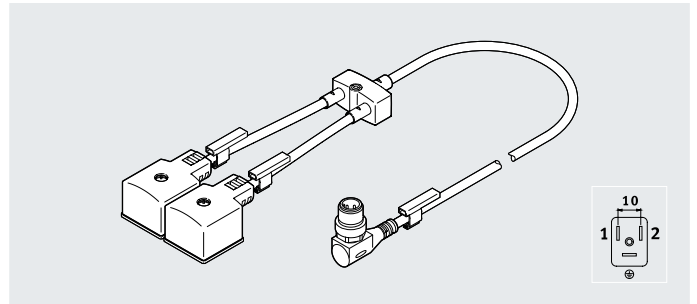
- 1) -...L The sum of the cable length on the left and cable length on the right must not exceed 30 m
- 2) 3 Only with connection technology on the right, LE
- 3) G, W Not in combination with connection technology on the right, controller side LE
- 4) 4 Only with connection technology on the right M8 or M12
- 5) -...R The sum of the cable length on the left and cable length on the right must not exceed 30 m  
Mandatory specification in combination with cable outlet on the right, W  
Mandatory specification in combination with connection technology on the right, controller side LE



## Data sheet

## Distributor NEDY-L2R1-V1-B1

- Dual distributor
- For connecting valves



General technical data	
Design	Y-distributor
Distributor type	Y type
Type of mounting	Via accessories, via through-hole for M2 screw
Cable designation	Via inscription label holder (optional)
Based on standard	EN 175301-803, EN 61076-2-101, EN 61076-2-104
Electrical connection 2	
Function	Field device side
Connection type	2x socket
Cable outlet	Angled
Design	Rectangular
Connection technology	Plug pattern type B to EN 175301-803
Number of pins/wires	3
Assigned pins/wires	2
Display	Yellow LED, signal status indication

Technical data – Electrical components				
Electrical connection 1		Plug M8x1	Plug M12x1	Open end
Operating voltage range	[V DC]	20.4 ... 27.6	20.4 ... 27.6	20.4 ... 27.6
Surge resistance	[kV]	0.8	0.8	0.8
Acceptable current load at 40°C	[A]	3	4	4
Pollution degree		3	3	3

Technical data – Cable		
Cable diameter	[mm]	3.8
Conductor nominal cross section	[mm <sup>2</sup> ]	0.25
Cable characteristic		Suitable for use with energy chains/robot applications
Cable test conditions		Resistance to bending: to Festo standard, test conditions on request <ul style="list-style-type: none"> <li>• Energy chain: 5 million cycles, bending radius: 28 mm</li> <li>• Torsional strength: &gt; 300000 cycles, ±270°/0.1 m</li> </ul>
Bending radius, flexible cable installation	[mm]	39

## Data sheet

### Technical data – Electrical connection 1

Function	Controller side		
Connection type	Plug		Open end
Cable outlet	Straight, angled	Straight, angled	–
Design	Round	Round	–
Connection technology	M8x1, A-coded	M12x1, A-coded	–
Number of pins/wires	4	4	3
Assigned pins/wires	3	3	3
Display	–	–	–
Based on standard	To EN 61076-2-104	To EN 61076-2-101	–

### Materials

Housing	PA, PC, TPE-U(PUR)
Housing colour	Black
Threaded sleeve	Nickel-plated brass
Seals	NBR
Pin contacts	Gold-plated copper alloy, silver-plated copper alloy
Cable sheath	TPE-U(PUR)
Cable sheath colour	Grey
Note on materials	RoHS-compliant Free of halogen and phosphoric acid ester
PWIS conformity	VDMA24364-B2-L

### Operating and environmental conditions


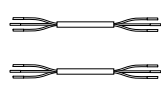
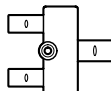
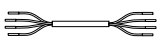
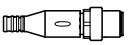
Ambient temperature	[°C]	–20 ... +80
Note on ambient temperature	[°C]	–10 ... +40 with mounting via through-hole
Ambient temperature with flexible cable installation	[°C]	–20 ... +80
Storage temperature	[°C]	–20 ... +80
Degree of protection		IP65/IP67
CE marking (see declaration of conformity) <sup>1)</sup>		To EU RoHS Directive
UKCA marking (see declaration of conformity) <sup>1)</sup>		To UK RoHS instructions
Corrosion resistance class CRC <sup>2)</sup>		1

1) For information about the area of use, see the EC declaration of conformity at: [www.festo.com/catalogue/medy](http://www.festo.com/catalogue/medy) → Support/Downloads.

If the devices are subject to usage restrictions in residential, commercial or light-industrial environments, further measures for the reduction of the emitted interference may be necessary.

2) More information [www.festo.com/x/topic/kbk](http://www.festo.com/x/topic/kbk)

### Product weight

				
<b>2x socket [g]</b>	<b>2x cable [g/m]</b>	<b>Distributor [g]</b>	<b>Cable [g/m]</b>	<b>Plug [g]</b>
Plug pattern type B	3-wire	With cable outlet	3-wire	M8x1
40	41	10	19.5	4.5
		With plug M12x1		M12x1, straight
		With plug M8x1		12
		With socket M8x1		M12x1, angled
		8		12.5
				Open end
				0

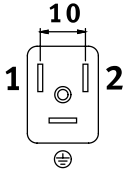
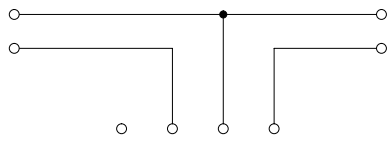
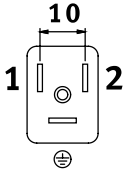
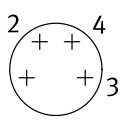
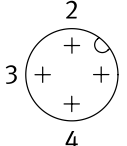
The weight of the individual components must be added together to determine the overall weight:  
socket + length x cable + distributor + length x cable + plug

Example:

NEDY-L2R1-V1-B1W3L-U-3L-LE3-10R

40 g + 3x 41 g + 10 g + 10x 19.5 g + 0 g = 368 g

Data sheet

Circuitry (socket/plug view)		Pin	Wire colour <sup>1)</sup>	Wiring allocation	Wire colour <sup>1)</sup>	Pin	Connection no. 2
	1	BN			1	BN	
	2	BU			2	BU	
		Wire colour <sup>1)</sup>	-	BK	BU	BN	
		Pin	1	4	3	2	
		Plug M8x1					
							
		Plug M12x1					
							

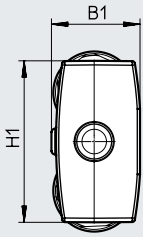
1) To IEC 757

## Data sheet

### Dimensions

Download CAD data → [www.festo.com](http://www.festo.com)

Distributor body front view

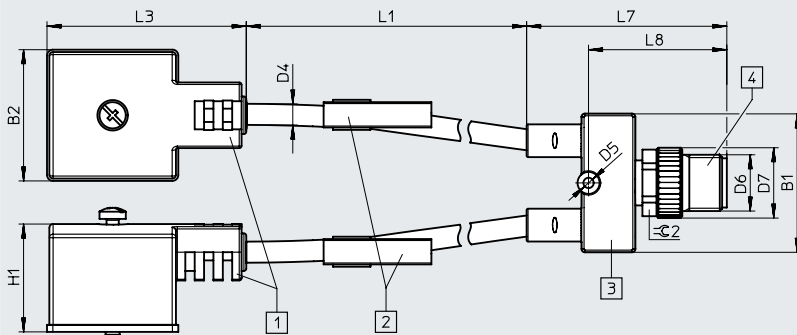


Distributor body front view

B1 H1

Size 1:	• Y-distributor with cable on field device side and plug M8x1	12	21
Size 2:	• Y-distributor with cable on field device side and plug M12x1 • Y-distributor with cable on both sides	16.2	29.6

Y-distributor with cable on field device side



[1] Socket, field device side

[2] Inscription label

[3] Distributor

[4] Plug, controller side

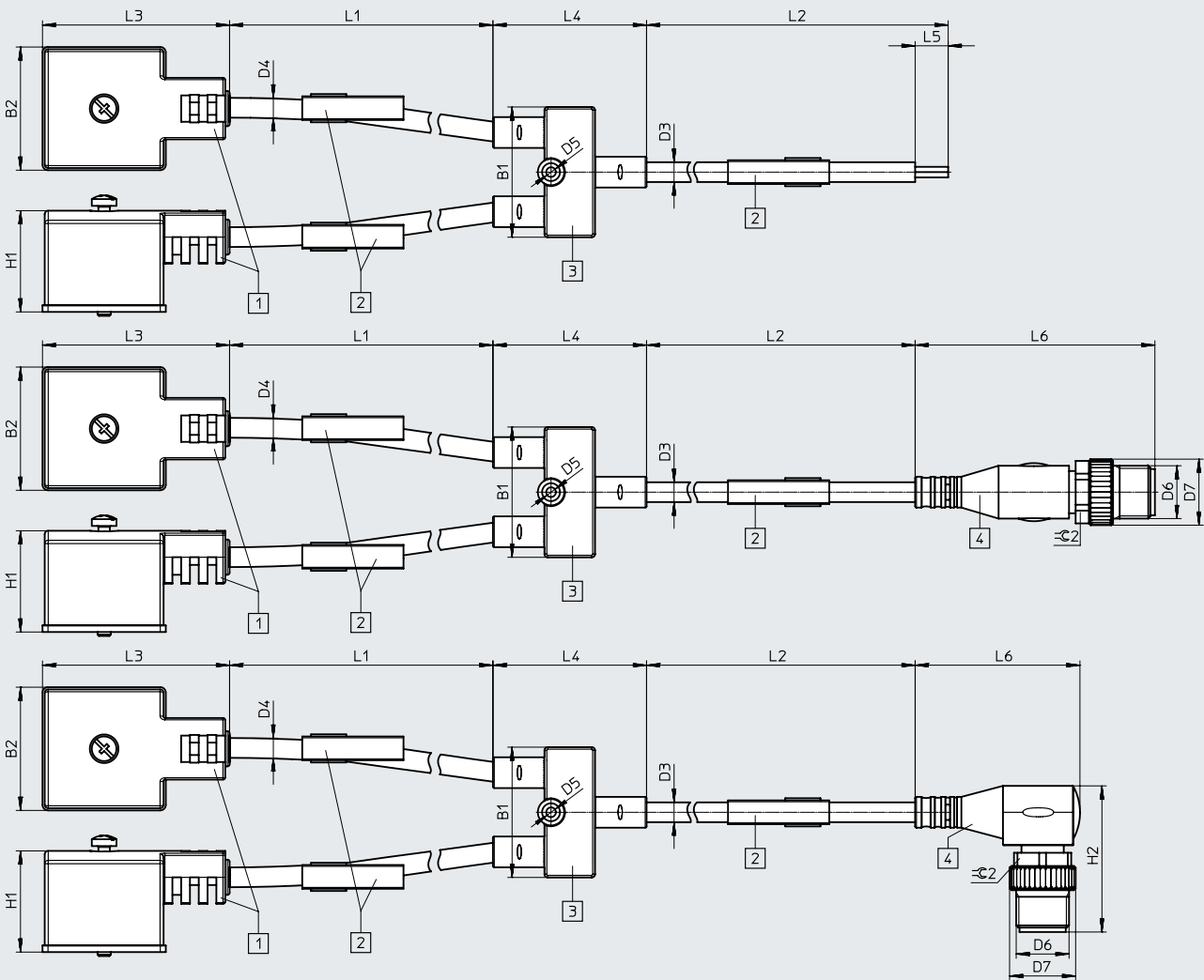
Electrical connection, controller side	B1	B2	D4 ∅	D5 ∅	D6	D7 ∅	H1	L1	L3	L7	L8	±0.2
Plug M8x1	21	21	3.8	2.2	M8	10	23.9	300 ... 30000	43	35	21.6	9 mm
Plug M12x1	29.6	21	3.8	2.2	M12	15	23.9	300 ... 30000	43	42.7	29.5	13 mm

Data sheet

Dimensions

Download CAD data → [www.festo.com](http://www.festo.com)

Y-distributor with cable on both sides



[1] Socket, field device side      [2] Inscription label      [3] Distributor      [4] Plug, controller side

Electrical connection, controller side	B1	B2	D3 ∅	D4 ∅	D5 ∅	D6	H1	H2
Open cable end	29.6	21	3.8	3.8	2.2	–	23.9	–
Plug M8x1	Straight	29.6	3.8	3.8	2.2	M8	23.9	–
	Angled	29.6	3.8	3.8	2.2	M8	23.9	24
Plug M12x1	Straight	29.6	3.8	3.8	2.2	M12	23.9	–
	Angled	29.6	3.8	3.8	2.2	M12	23.9	33.2

Electrical connection, controller side	L1	L2	L3	L4	L5	L6	±0.2
Open cable end	(300 ... 30000)-L2	(300 ... 30000)-L1	43	34.9	50	–	–
Plug M8x1	Straight	(300 ... 30000)-L2	(300 ... 30000)-L1	43	34.9	–	41.1 SW9
	Angled	(300 ... 30000)-L2	(300 ... 30000)-L1	43	34.9	–	26.9 SW9
Plug M12x1	Straight	(300 ... 30000)-L2	(300 ... 30000)-L1	43	34.9	–	54.5 SW13
	Angled	(300 ... 30000)-L2	(300 ... 30000)-L1	43	34.9	–	37.5 SW13

Ordering data – Accessories

		Part no.	Type
	Mounting for T-slot	• For Y-distributor with cable on field device side and plug M8x1	<b>8032868</b> <b>NEAU-A-N8-1</b>
		• For Y-distributor with cable on field device side and plug M12x1	<b>8032869</b> <b>NEAU-A-N8-2</b>
		• For Y-distributor with cable on both sides	

Ordering data – Modular product system

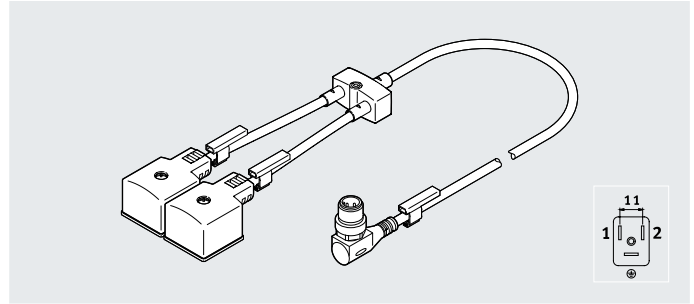
Ordering table		Condi- tions	Code	Enter code
Module no.	<b>8032867</b>			
Distributor	Sensor/actuator distributors		<b>NEDY</b>	NEDY
Distributor type	Y type		<b>-L2R1</b>	-L2R1
Wiring allocation	Standard variant (see circuit diagram, standard)		<b>-V1</b>	-V1
Connection technology on the left, field device side	Socket type B, EN 175301-803		<b>-B1</b>	-B1
Cable outlet on the left	Angled		<b>W</b>	W
Number of pins/wires on the left	3-pin		<b>3</b>	3
Display	Signal status LED (for valves only)		<b>L</b>	L
Cable characteristic	Suitable for use with energy chains/robot applications		<b>-U</b>	-U
Cable length on the left [m]	0.3 ... 30	[1]	<b>-...L</b>	
Cable designation	With inscription label holder			
	Without inscription label holder		<b>-N</b>	
Connection technology on the right, controller side	Open end		<b>-LE</b>	
	Plug M8x1, A-coded, EN 61076-2-104		<b>-M8</b>	
	Plug M12x1, A-coded, EN 61076-2-101		<b>-M12</b>	
Cable outlet on the right	None	[2]		
	Straight	[3]	<b>G</b>	
	Angled	[3]	<b>W</b>	
Number of pins/wires on the right	3-pin	[2]	<b>3</b>	
	4-pin	[4]	<b>4</b>	
Cable length on the right [m]	None			
	0.3 ... 30	[5]	<b>-...R</b>	

- 1) -...L The sum of the cable length on the left and cable length on the right must not exceed 30 m
- 2) 3 Only with connection technology on the right, LE
- 3) G, W Not in combination with connection technology on the right, controller side LE
- 4) 4 Only with connection technology on the right M8 or M12
- 5) -...R The sum of the cable length on the left and cable length on the right must not exceed 30 m  
Mandatory specification in combination with cable outlet on the right, W  
Mandatory specification in combination with connection technology on the right, controller side LE

Data sheet

Distributor NEDY-L2R1-V1-B2

- Dual distributor
- For connecting valves



General technical data	
Design	Y-distributor
Distributor type	Y type
Type of mounting	Via accessories, via through-hole for M2 screw
Cable designation	Via inscription label holder (optional)
Based on standard	EN 61076-2-101, EN 61076-2-104
Electrical connection 2	
Function	Field device side
Connection type	2x socket
Cable outlet	Angled
Design	Rectangular
Connection technology	Plug pattern type B to industry standard, 11 mm
Number of pins/wires	3
Assigned pins/wires	2
Display	Yellow LED, signal status indication

Technical data – Electrical components				
Electrical connection 1		Plug M8x1	Plug M12x1	Open end
Operating voltage range	[V DC]	20.4 ... 27.6	20.4 ... 27.6	20.4 ... 27.6
Surge resistance	[kV]	0.8	0.8	0.8
Acceptable current load at 40°C	[A]	3	4	4
Pollution degree		3	3	3

Technical data – Cable	
Cable diameter	[mm] 3.8
Conductor nominal cross section	[mm <sup>2</sup> ] 0.25
Cable characteristic	Suitable for use with energy chains/robot applications
Cable test conditions	Resistance to bending: to Festo standard, test conditions on request <ul style="list-style-type: none"> <li>• Energy chain: 5 million cycles, bending radius: 28 mm</li> <li>• Torsional strength: &gt; 300000 cycles, ±270°/0.1 m</li> </ul>
Bending radius, flexible cable installation	[mm] 39

## Data sheet

### Technical data – Electrical connection 1

Function	Controller side		
Connection type	Plug		Open end
Cable outlet	Straight, angled	Straight, angled	–
Design	Round	Round	–
Connection technology	M8x1, A-coded	M12x1, A-coded	–
Number of pins/wires	4	4	3
Assigned pins/wires	3	3	3
Display	–	–	–
Based on standard	To EN 61076-2-104	To EN 61076-2-101	–

### Materials

Housing	PA, PC, TPE-U(PUR)
Housing colour	Black
Union nut	Nickel-plated brass
Threaded sleeve	Nickel-plated brass
Seals	NBR
Pin contacts	Gold-plated copper alloy, silver-plated copper alloy
Cable sheath	TPE-U(PUR)
Cable sheath colour	Grey
Note on materials	RoHS-compliant Free of halogen and phosphoric acid ester
PWIS conformity	VDMA24364-B2-L

### Operating and environmental conditions

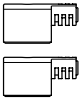
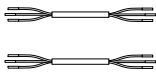
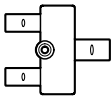


Ambient temperature	[°C]	–20 ... +80
Note on ambient temperature	[°C]	–10 ... +40 with mounting via through-hole
Ambient temperature with flexible cable installation	[°C]	–20 ... +80
Storage temperature	[°C]	–20 ... +80
Degree of protection		IP65/IP67
CE marking (see declaration of conformity) <sup>1)</sup>		To EU RoHS Directive
UKCA marking (see declaration of conformity) <sup>1)</sup>		To UK RoHS instructions
Corrosion resistance class CRC <sup>2)</sup>		1

1) For information about the area of use, see the EC declaration of conformity at: [www.festo.com/catalogue/medy](http://www.festo.com/catalogue/medy) → Support/Downloads.

If the devices are subject to usage restrictions in residential, commercial or light-industrial environments, further measures for the reduction of the emitted interference may be necessary.

2) More information [www.festo.com/x/topic/kbk](http://www.festo.com/x/topic/kbk)

### Product weight

				
<b>2x socket [g]</b>	<b>2x cable [g/m]</b>	<b>Distributor [g]</b>	<b>Cable [g/m]</b>	<b>Plug [g]</b>
Plug pattern type B	3-wire	With cable outlet	3-wire	M8x1
40	41	10	19.5	4.5
		With plug M12x1		M12x1, straight
		7		12
		With socket M8x1		M12x1, angled
		8		12.5
				Open end
				0

The weight of the individual components must be added together to determine the overall weight:  
socket + length x cable + distributor + length x cable + plug

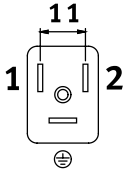
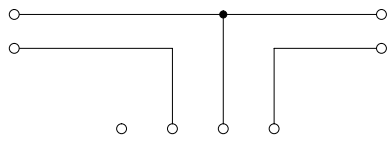
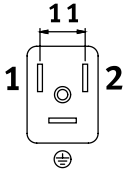
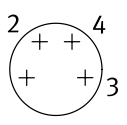
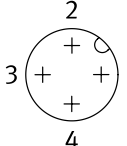
Example:

NEDY-L2R1-V1-B2W3L-U-3L-LE3-10R

40 g + 3x 41 g + 10 g + 10x 19.5 g + 0 g = 368 g



Data sheet

Circuitry (socket/plug view)		Pin	Wire colour <sup>1)</sup>	Wiring allocation	Wire colour <sup>1)</sup>	Pin	Connection no. 2		
	1	BN		BN	1				
	2	BU		BU	2				
			Wire colour <sup>1)</sup>	-	BK		BU	BN	
			Pin	1	4		3	2	
		Plug M8x1							
									
		Plug M12x1							
									

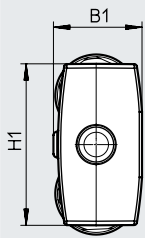
1) To IEC 757

Data sheet

Dimensions

Download CAD data → [www.festo.com](http://www.festo.com)

Distributor body front view

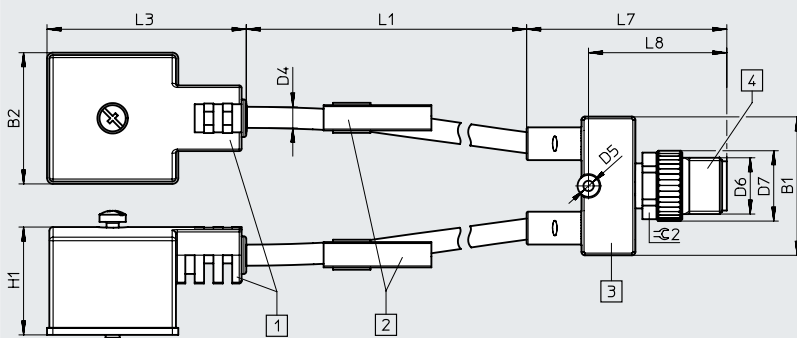


Distributor body front view

B1 H1

Size 1:	• Y-distributor with cable on field device side and plug M8x1	12	21
Size 2:	• Y-distributor with cable on field device side and plug M12x1 • Y-distributor with cable on both sides	16.2	29.6

Y-distributor with cable on field device side



- [1] Socket, field device side      [2] Inscription label      [3] Distributor      [4] Plug, controller side

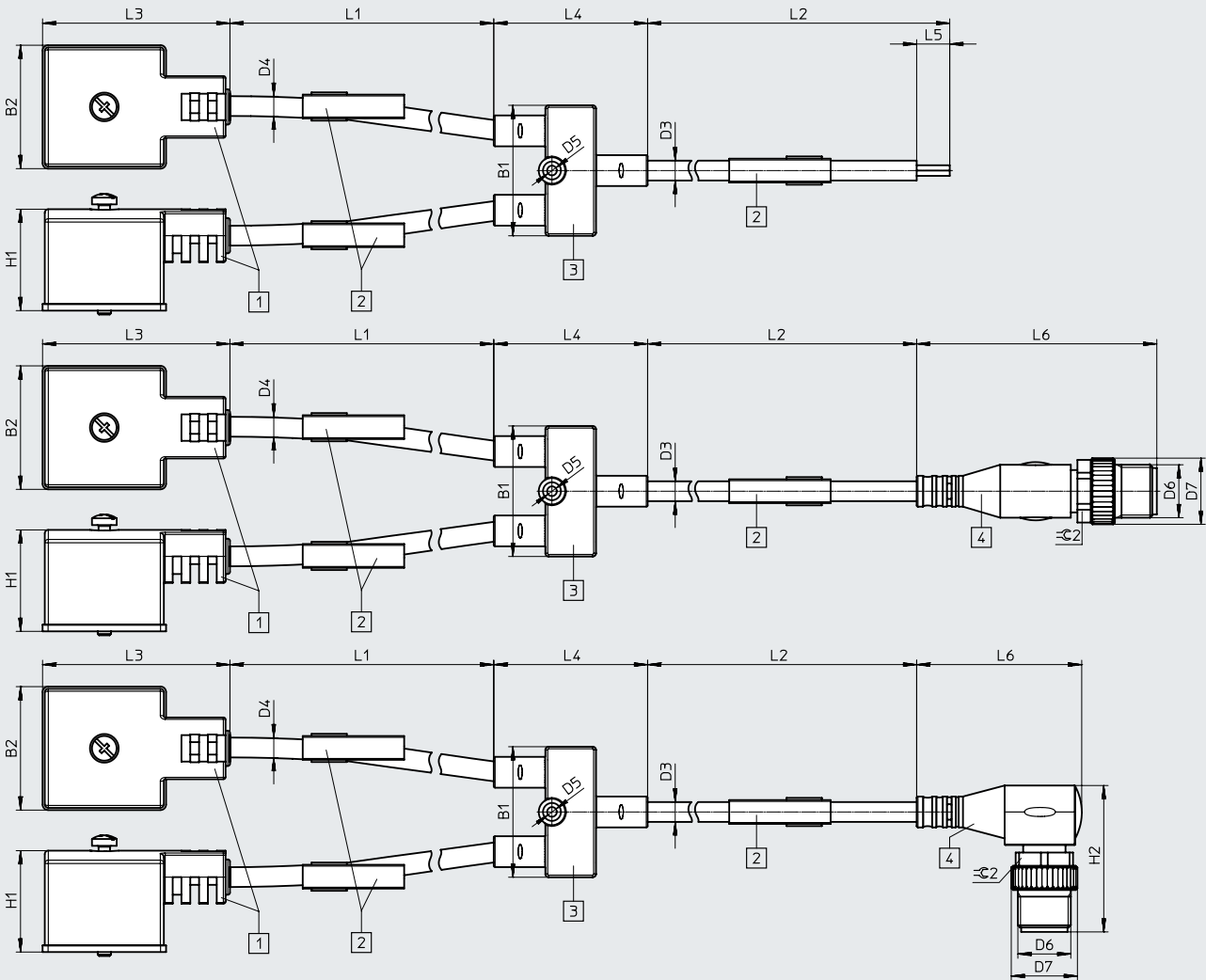
Electrical connection, controller side	B1	B2	D4 ∅	D5 ∅	D6	D7 ∅	H1	L1	L3	L7	L8	⊕ 2
Plug M8x1	21	21	3.8	2.2	M8	10	23.9	300 ... 30000	43	35	21.6	9 mm
Plug M12x1	29.6	21	3.8	2.2	M12	15	23.9	300 ... 30000	43	42.7	29.5	13 mm

Data sheet

Dimensions

Download CAD data → [www.festo.com](http://www.festo.com)

Y-distributor with cable on both sides

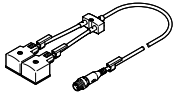
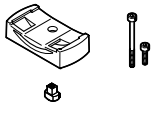


[1] Socket, field device side      [2] Inscription label      [3] Distributor      [4] Plug, controller side

Electrical connection, controller side	B1	B2	D3 ∅	D4 ∅	D5 ∅	D6	H1	H2
Open cable end	29.6	21	3.8	3.8	2.2	–	23.9	–
Plug M8x1	Straight	29.6	3.8	3.8	2.2	M8	23.9	–
	Angled	29.6	3.8	3.8	2.2	M8	23.9	24
Plug M12x1	Straight	29.6	3.8	3.8	2.2	M12	23.9	–
	Angled	29.6	3.8	3.8	2.2	M12	23.9	33.2

Electrical connection, controller side	L1	L2	L3	L4	L5	L6	⊕ 2
Open cable end	(300 ... 30000)-L2	(300 ... 30000)-L1	43	34.9	50	–	–
Plug M8x1	Straight	(300 ... 30000)-L2	(300 ... 30000)-L1	43	34.9	–	41.1 SW9
	Angled	(300 ... 30000)-L2	(300 ... 30000)-L1	43	34.9	–	26.9 SW9
Plug M12x1	Straight	(300 ... 30000)-L2	(300 ... 30000)-L1	43	34.9	–	54.5 SW13
	Angled	(300 ... 30000)-L2	(300 ... 30000)-L1	43	34.9	–	37.5 SW13

## Data sheet

Ordering data						
	Field device side	Controller side		Weight [g]	Part no.	Type
	Cable length [m]	Electrical connection	Cable length [m]			
<b>Y-distributor with cable on both sides</b>						
	0.3	Plug, straight, M8x1	2.5	116	<b>8035781</b>	<b>NEDY-L2R1-V1-B2W3L-U-0.3L-M8G4-2.5R</b>
			5	165	<b>8035782</b>	<b>NEDY-L2R1-V1-B2W3L-U-0.3L-M8G4-5R</b>
		Plug, straight, M12x1	2.5	124	<b>8035779</b>	<b>NEDY-L2R1-V1-B2W3L-U-0.3L-M8G4-2.5R</b>
			5	173	<b>8035780</b>	<b>NEDY-L2R1-V1-B2W3L-U-0.3L-M8G4-5R</b>
<b>Ordering data – Accessories</b>						
	Mounting for T-slot	• For Y-distributor with cable on field device side and plug M8x1			<b>8032868</b>	<b>NEAU-A-N8-1</b>
		• For Y-distributor with cable on field device side and plug M12x1			<b>8032869</b>	<b>NEAU-A-N8-2</b>
		• For Y-distributor with cable on both sides				

Ordering data – Modular product system

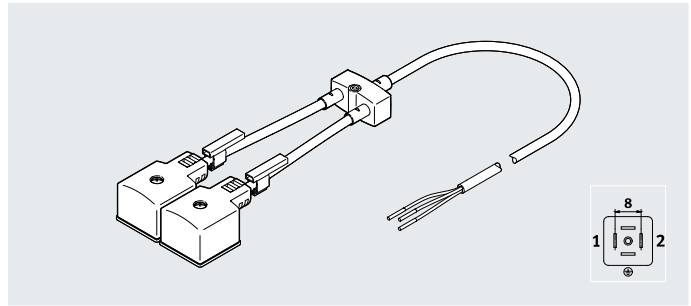
Ordering table		Condi- tions	Code	Enter code
Module no.	<b>8032867</b>			
Distributor	Sensor/actuator distributors		<b>NEDY</b>	NEDY
Distributor type	Y type		<b>-L2R1</b>	-L2R1
Wiring allocation	Standard variant (see circuit diagram, standard)		<b>-V1</b>	-V1
Connection technology on the left, field device side	Socket type B, industry standard, 11 mm		<b>-B2</b>	-B2
Cable outlet on the left	Angled		<b>W</b>	W
Number of pins/wires on the left	3-pin		<b>3</b>	3
Display	Signal status LED (for valves only)		<b>L</b>	L
Cable characteristic	Suitable for use with energy chains/robot applications		<b>-U</b>	-U
Cable length on the left [m]	0.3 ... 30	[1]	<b>-...L</b>	
Cable designation	With inscription label holder			
	Without inscription label holder		<b>-N</b>	
Connection technology on the right, controller side	Open end		<b>-LE</b>	
	Plug M8x1, A-coded, EN 61076-2-104		<b>-M8</b>	
	Plug M12x1, A-coded, EN 61076-2-101		<b>-M12</b>	
Cable outlet on the right	None	[2]		
	Straight	[3]	<b>G</b>	
	Angled	[3]	<b>W</b>	
Number of pins/wires on the right	3-pin	[2]	<b>3</b>	
	4-pin	[4]	<b>4</b>	
Cable length on the right [m]	None			
	0.3 ... 30	[5]	<b>-...R</b>	

- 1) ...L The sum of the cable length on the left and cable length on the right must not exceed 30 m
- 2) 3 Only with connection technology on the right, LE
- 3) G, W Not in combination with connection technology on the right, controller side LE
- 4) 4 Only with connection technology on the right M8 or M12
- 5) ...R The sum of the cable length on the left and cable length on the right must not exceed 30 m  
Mandatory specification in combination with cable outlet on the right, W  
Mandatory specification in combination with connection technology on the right, controller side LE

## Data sheet

### Distributor NEDY-L2R1-V1-C1

- Dual distributor
- For connecting valves



#### General technical data

Design	Y-distributor
Distributor type	Y type
Type of mounting	Via accessories, via through-hole for M2 screw
Cable designation	Via inscription label holder (optional)
Based on standard	EN 175301-803, EN 61076-2-101, EN 61076-2-104

#### Electrical connection 2

Function	Field device side
Connection type	2x socket
Cable outlet	Angled
Design	Rectangular
Connection technology	Plug pattern type C to EN 175301 803
Number of pins/wires	4
Assigned pins/wires	2
Display	Yellow LED, signal status indication

#### Technical data – Electrical components

Electrical connection 1	Plug M8x1	Plug M12x1	Open end
Operating voltage range [V DC]	20.4 ... 27.6	20.4 ... 27.6	20.4 ... 27.6
Surge resistance [kV]	0.8	0.8	0.8
Acceptable current load at 40°C [A]	3	4	4
Pollution degree	3	3	3

#### Technical data – Cable

Cable diameter [mm]	3.8
Conductor nominal cross section [mm <sup>2</sup> ]	0.25
Cable characteristic	Suitable for use with energy chains/robot applications
Cable test conditions	Resistance to bending: to Festo standard, test conditions on request <ul style="list-style-type: none"> <li>• Energy chain: 5 million cycles, bending radius: 28 mm</li> <li>• Torsional strength: &gt; 300000 cycles, ±270°/0.1 m</li> </ul>
Bending radius, flexible cable installation [mm]	39

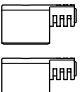
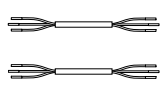
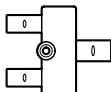
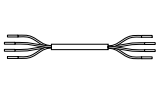
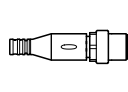
## Data sheet

Technical data – Electrical connection 1			
Function	Controller side		
Connection type	Plug		Open end
Cable outlet	Straight, angled	Straight, angled	–
Design	Round	Round	–
Connection technology	M8x1, A-coded	M12x1, A-coded	–
Number of pins/wires	4	4	3
Assigned pins/wires	3	3	3
Display	–	–	–
Based on standard	To EN 61076-2-104	To EN 61076-2-101	–

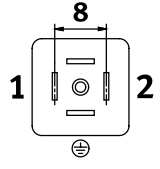
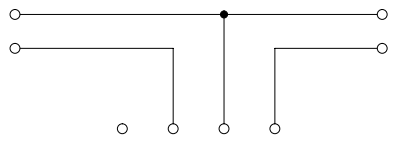
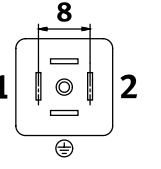
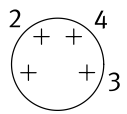
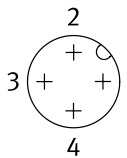
Materials	
Housing	PA, PC, TPE-U(PUR)
Housing colour	Black
Threaded sleeve	Nickel-plated brass
Seals	NBR
Pin contacts	Gold-plated copper alloy, silver-plated copper alloy
Cable sheath	TPE-U(PUR)
Cable sheath colour	Grey
Note on materials	RoHS-compliant Free of halogen and phosphoric acid ester
PWIS conformity	VDMA24364-B2-L

Operating and environmental conditions		
Ambient temperature	[°C]	–20 ... +80
Note on ambient temperature	[°C]	–10 ... +40 with mounting via through-hole
Ambient temperature with flexible cable installation	[°C]	–20 ... +80
Storage temperature	[°C]	–20 ... +80
Degree of protection		IP65/IP67
CE marking (see declaration of conformity) <sup>1)</sup>		To EU RoHS Directive
UKCA marking (see declaration of conformity) <sup>1)</sup>		To UK RoHS instructions
Corrosion resistance class CRC <sup>2)</sup>		1

- 1) For information about the area of use, see the EC declaration of conformity at: [www.festo.com/catalogue/medy](http://www.festo.com/catalogue/medy) → Support/Downloads.  
If the devices are subject to usage restrictions in residential, commercial or light-industrial environments, further measures for the reduction of the emitted interference may be necessary.
- 2) More information [www.festo.com/x/topic/kbk](http://www.festo.com/x/topic/kbk)

Product weight									
									
<b>2x socket [g]</b>		<b>2x cable [g/m]</b>		<b>Distributor [g]</b>		<b>Cable [g/m]</b>		<b>Plug [g]</b>	
Plug pattern	20	3-wire	41	With cable outlet	10	3-wire	19.5	M8x1	4.5
type C				With plug M12x1	17			M12x1, straight	12
				With plug M8x1	7			M12x1, angled	12.5
				With socket M8x1	8			Open end	0
<p>The weight of the individual components must be added together to determine the overall weight: socket + length x cable + distributor + length x cable + plug</p> <p>Example: NEDY-L2R1-V1-C1W4L-U-3L-LE3-10R 20 g + 3x 41 g + 10 g + 10x 19.5 g + 0 g = 348 g</p>									

Data sheet

Circuitry (socket/plug view)		Wiring allocation					Circuitry (socket/plug view)					
Connection no. 4		Pin	Wire colour <sup>1)</sup>						Wire colour <sup>1)</sup>	Pin	Connection no. 2	
	1	BN						BN	1			
	2	BU						BU	2			
			Wire colour <sup>1)</sup>	-	BK	BU	BN					
			Pin	1	4	3	2					
		Plug M8x1										
												
		Plug M12x1										
												

1) To IEC 757

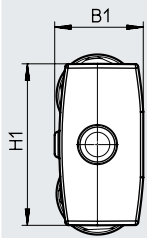


Data sheet

Dimensions

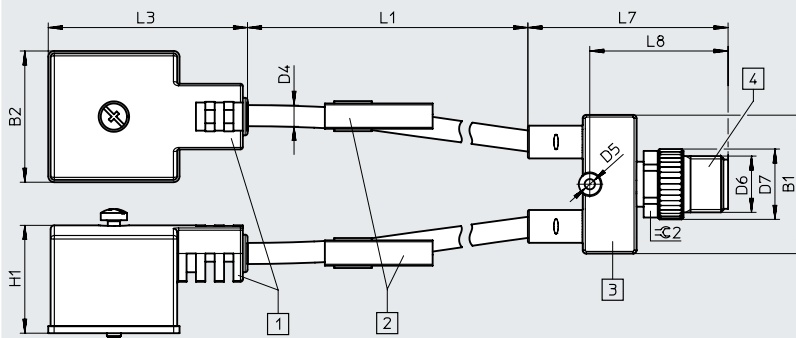
Download CAD data → [www.festo.com](http://www.festo.com)

Distributor body front view



Distributor body front view		B1	H1
Size 1:	• Y-distributor with cable on field device side and plug M8x1	12	21
Size 2:	• Y-distributor with cable on field device side and plug M12x1 • Y-distributor with cable on both sides	16.2	29.6

Y-distributor with cable on field device side



- [1] Socket, field device side      [2] Inscription label      [3] Distributor      [4] Plug, controller side

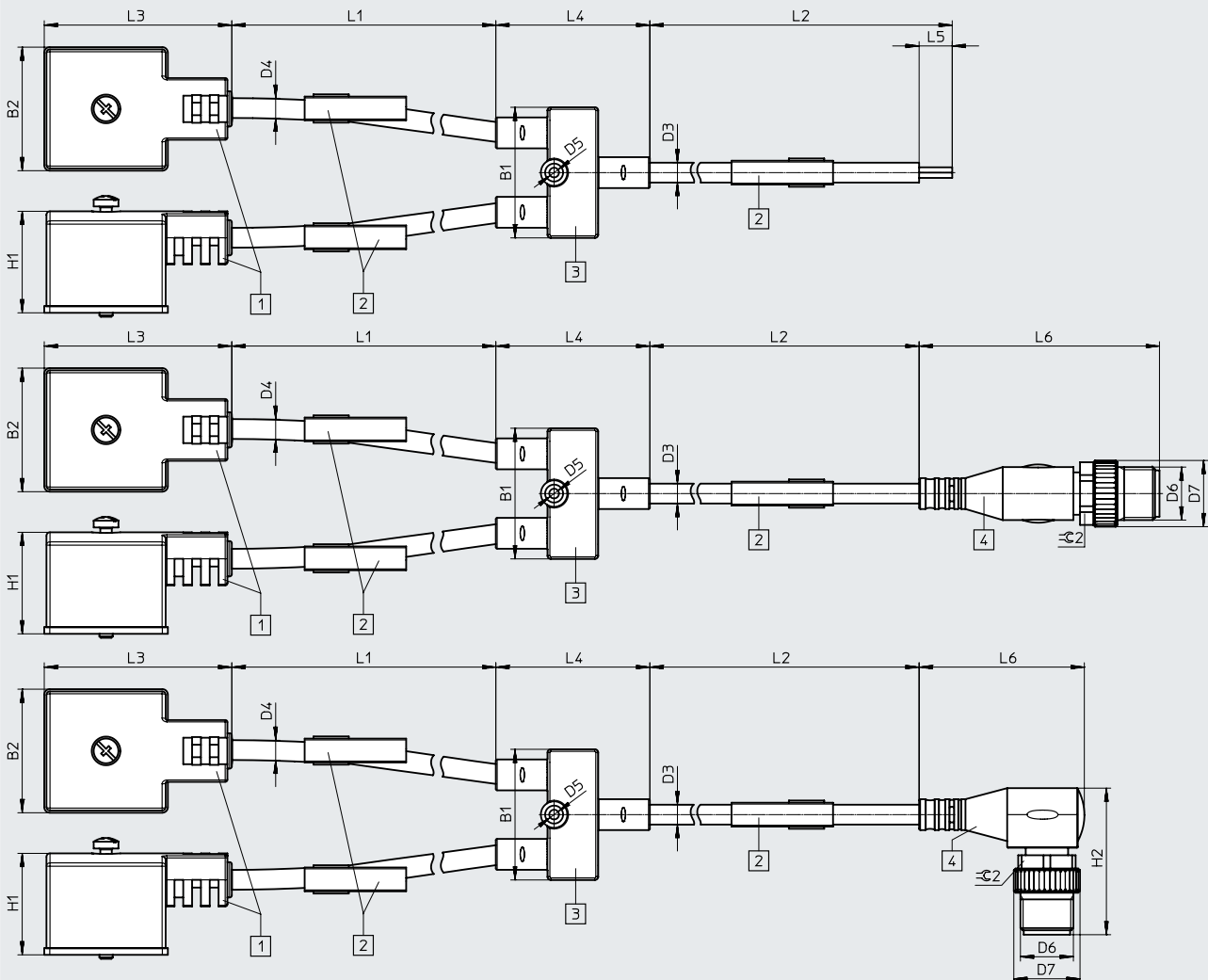
Electrical connection, controller side	B1	B2	D4 ∅	D5 ∅	D6	D7 ∅	H1	L1	L3	L7	L8	±0.2
Plug M8x1	21	16	3.8	2.2	M8	10	21.3	300 ... 30000	30.5	35	21.6	9 mm
Plug M12x1	29.6	16	3.8	2.2	M12	15	21.3	300 ... 30000	30.5	42.7	29.5	13 mm

Data sheet

Dimensions

Download CAD data → [www.festo.com](http://www.festo.com)

Y-distributor with cable on both sides

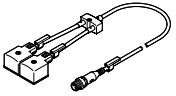
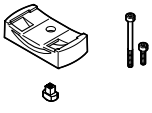


[1] Socket, field device side      [2] Inscription label      [3] Distributor      [4] Plug, controller side

Electrical connection, controller side	B1	B2	D3 ∅	D4 ∅	D5 ∅	D6	H1	H2
Open cable end	29.6	16	3.8	3.8	2.2	–	21.3	–
Plug M8x1	Straight	29.6	3.8	3.8	2.2	M8	21.3	–
	Angled	29.6	3.8	3.8	2.2	M8	21.3	24
Plug M12x1	Straight	29.6	3.8	3.8	2.2	M12	21.3	–
	Angled	29.6	3.8	3.8	2.2	M12	21.3	33.2

Electrical connection, controller side	L1	L2	L3	L4	L5	L6	⊕ 2
Open cable end	(300 ... 30000)-L2	(300 ... 30000)-L1	30.5	34.9	50	–	–
Plug M8x1	Straight	(300 ... 30000)-L1	30.5	34.9	–	41.1	SW9
	Angled	(300 ... 30000)-L1	30.5	34.9	–	26.9	SW9
Plug M12x1	Straight	(300 ... 30000)-L1	30.5	34.9	–	54.5	SW13
	Angled	(300 ... 30000)-L1	30.5	34.9	–	37.5	SW13

## Data sheet

Ordering data							
	Field device side		Controller side		Weight [g]	Part no.	Type
	Cable length [m]	Electrical connection	Cable length [m]				
<b>Y-distributor with cable on both sides</b>							
	0.3	Plug, straight, M8x1	2.5	96	<b>8035785</b>	<b>NEDY-L2R1-V1-C1W4L-U-0.3L-M8G4-2.5R</b>	
			5	94	<b>8035786</b>	<b>NEDY-L2R1-V1-C1W4L-U-0.3L-M8G4-5R</b>	
		Plug, straight, M12x1	2.5	104	<b>8035783</b>	<b>NEDY-L2R1-V1-C1W4L-U-0.3L-M8G4-2.5R</b>	
			5	153	<b>8035784</b>	<b>NEDY-L2R1-V1-C1W4L-U-0.3L-M8G4-5R</b>	
<b>Ordering data – Accessories</b>							
	Mounting for T-slot	• For Y-distributor with cable on field device side and plug M8x1			<b>8032868</b>	<b>NEAU-A-N8-1</b>	
		• For Y-distributor with cable on field device side and plug M12x1			<b>8032869</b>	<b>NEAU-A-N8-2</b>	
		• For Y-distributor with cable on both sides					

## Ordering data – Modular product system

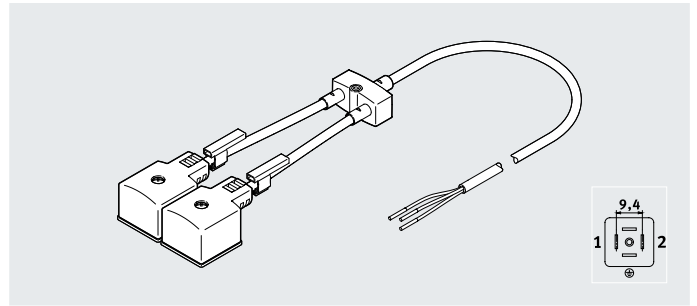
Ordering table		Condi- tions	Code	Enter code
Module no.	<b>8032867</b>			
Distributor	Sensor/actuator distributors		<b>NEDY</b>	NEDY
Distributor type	Y type		<b>-L2R1</b>	-L2R1
Wiring allocation	Standard variant (see circuit diagram, standard)		<b>-V1</b>	-V1
Connection technology on the left, field device side	Socket, type C, EN 175301-803		<b>-C1</b>	-C1
Cable outlet on the left	Angled		<b>W</b>	W
Number of pins/wires on the left	4-pin		<b>4</b>	4
Display	Signal status LED (for valves only)		<b>L</b>	L
Cable characteristic	Suitable for use with energy chains/robot applications		<b>-U</b>	-U
Cable length on the left [m]	0.3 ... 30	[1]	<b>-...L</b>	
Cable designation	With inscription label holder			
	Without inscription label holder		<b>-N</b>	
Connection technology on the right, controller side	Open end		<b>-LE</b>	
	Plug M8x1, A-coded, EN 61076-2-104		<b>-M8</b>	
	Plug M12x1, A-coded, EN 61076-2-101		<b>-M12</b>	
Cable outlet on the right	None	[2]		
	Straight	[3]	<b>G</b>	
	Angled	[3]	<b>W</b>	
Number of pins/wires on the right	3-pin	[2]	<b>3</b>	
	4-pin	[4]	<b>4</b>	
Cable length on the right [m]	None			
	0.3 ... 30	[5]	<b>-...R</b>	

- 1) -...L The sum of the cable length on the left and cable length on the right must not exceed 30 m
- 2) 3 Only with connection technology on the right, LE
- 3) G, W Not in combination with connection technology on the right, controller side LE
- 4) 4 Only with connection technology on the right M8 or M12
- 5) -...R The sum of the cable length on the left and cable length on the right must not exceed 30 m  
Mandatory specification in combination with cable outlet on the right, W  
Mandatory specification in combination with connection technology on the right, controller side LE

## Data sheet

## Distributor NEDY-L2R1-V1-E1

- Dual distributor
- For connecting valves



General technical data	
Design	Y-distributor
Distributor type	Y type
Type of mounting	Via accessories, via through-hole for M2 screw
Cable designation	Via inscription label holder (optional)
Based on standard	EN 61076-2-101, EN 61076-2-104
Electrical connection 2	
Function	Field device side
Connection type	2x socket
Cable outlet	Angled
Design	Rectangular
Connection technology	Plug pattern type C to industry standard, 9.4 mm
Number of pins/wires	4
Assigned pins/wires	2
Display	Yellow LED, signal status indication

Technical data – Electrical components				
Electrical connection 1		Plug M8x1	Plug M12x1	Open end
Operating voltage range	[V DC]	20.4 ... 27.6	20.4 ... 27.6	20.4 ... 27.6
Surge resistance	[kV]	0.8	0.8	0.8
Acceptable current load at 40°C	[A]	3	4	4
Pollution degree		3	3	3

Technical data – Cable		
Cable diameter	[mm]	3.8
Conductor nominal cross section	[mm <sup>2</sup> ]	0.25
Cable characteristic		Suitable for use with energy chains/robot applications
Cable test conditions		Resistance to bending: to Festo standard, test conditions on request <ul style="list-style-type: none"> <li>• Energy chain: 5 million cycles, bending radius: 28 mm</li> <li>• Torsional strength: &gt; 300000 cycles, ±270°/0.1 m</li> </ul>
Bending radius, flexible cable installation	[mm]	39

# Y-distributor, socket type C, industry standard 9.4 mm

## Data sheet

### Technical data – Electrical connection 1

Function	Controller side		
Connection type	Plug		Open end
Cable outlet	Straight, angled	Straight, angled	–
Design	Round	Round	–
Connection technology	M8x1, A-coded	M12x1, A-coded	–
Number of pins/wires	4	4	3
Assigned pins/wires	3	3	3
Display	–	–	–
Based on standard	To EN 61076-2-104	To EN 61076-2-101	–

### Materials

Housing	PA, PC, TPE-U(PUR)
Housing colour	Black
Threaded sleeve	Nickel-plated brass
Seals	NBR
Pin contacts	Gold-plated copper alloy, silver-plated copper alloy
Cable sheath	TPE-U(PUR)
Cable sheath colour	Grey
Note on materials	RoHS-compliant Free of halogen and phosphoric acid ester
PWIS conformity	VDMA24364-B2-L

### Operating and environmental conditions

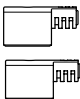
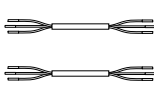
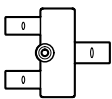


Ambient temperature	[°C]	–20 ... +80
Note on ambient temperature	[°C]	–10 ... +40 with mounting via through-hole
Ambient temperature with flexible cable installation	[°C]	–20 ... +80
Storage temperature	[°C]	–20 ... +80
Degree of protection		IP65/IP67
CE marking (see declaration of conformity) <sup>1)</sup>		To EU RoHS Directive
UKCA marking (see declaration of conformity) <sup>1)</sup>		To UK RoHS instructions
Corrosion resistance class CRC <sup>2)</sup>		1

1) For information about the area of use, see the EC declaration of conformity at: [www.festo.com/catalogue/medy](http://www.festo.com/catalogue/medy) → Support/Downloads.

If the devices are subject to usage restrictions in residential, commercial or light-industrial environments, further measures for the reduction of the emitted interference may be necessary.

2) More information [www.festo.com/x/topic/kbk](http://www.festo.com/x/topic/kbk)

### Product weight

				
<b>2x socket [g]</b>	<b>2x cable [g/m]</b>	<b>Distributor [g]</b>	<b>Cable [g/m]</b>	<b>Plug [g]</b>
Plug pattern type C   20	3-wire   41	With cable outlet   10	3-wire   19.5	M8x1   4.5
		With plug M12x1   17		M12x1, straight   12
		With plug M8x1   7		M12x1, angled   12.5
		With socket M8x1   8		Open end   0

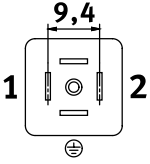
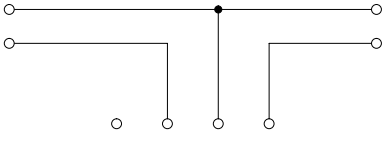
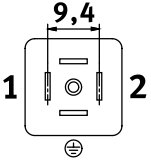
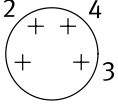
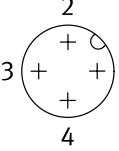
The weight of the individual components must be added together to determine the overall weight:  
socket + length x cable + distributor + length x cable + plug

Example:

NEDY-L2R1-V1-E1W4L-U-3L-LE3-10R

20 g + 3x 41 g + 10 g + 10x 19.5 g + 0 g = 348 g

Data sheet

Circuitry (socket/plug view)		Pin	Wire colour <sup>1)</sup>	Wiring allocation	Wire colour <sup>1)</sup>	Pin	Connection no. 2												
	Connection no. 4	1	BN		BN	1													
		2	BU		BU	2													
				<table border="1"> <thead> <tr> <th>Wire colour<sup>1)</sup></th> <th>-</th> <th>BK</th> <th>BU</th> <th>BN</th> <th></th> </tr> </thead> <tbody> <tr> <td>Pin</td> <td>1</td> <td>4</td> <td>3</td> <td>2</td> <td></td> </tr> </tbody> </table>	Wire colour <sup>1)</sup>	-		BK	BU	BN		Pin	1	4	3	2			
	Wire colour <sup>1)</sup>	-	BK	BU	BN														
Pin	1	4	3	2															
			<p>Plug M8x1</p> 																
			<p>Plug M12x1</p> 																

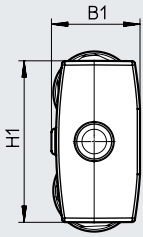
1) To IEC 757

## Data sheet

### Dimensions

Download CAD data → [www.festo.com](http://www.festo.com)

Distributor body front view

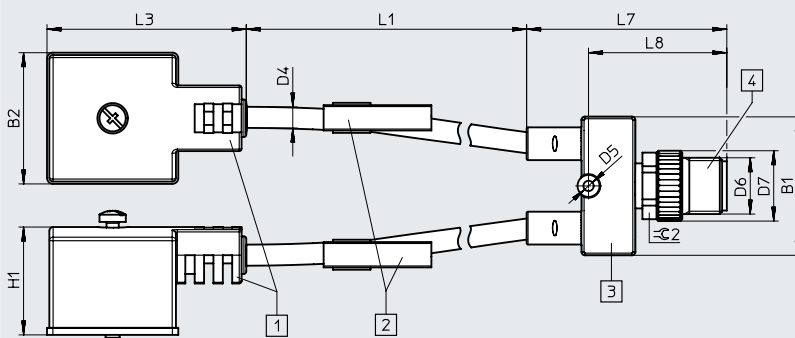


Distributor body front view

B1 H1

Size 1:	• Y-distributor with cable on field device side and plug M8x1	12	21
Size 2:	• Y-distributor with cable on field device side and plug M12x1 • Y-distributor with cable on both sides	16.2	29.6

Y-distributor with cable on field device side



[1] Socket, field device side      [2] Inscription label      [3] Distributor      [4] Plug, controller side

Electrical connection, controller side	B1	B2	D4 ∅	D5 ∅	D6	D7 ∅	H1	L1	L3	L7	L8	⊕ 2
Plug M8x1	21	16	3.8	2.2	M8	10	21.2	300 ... 30000	30.5	35	21.6	9 mm
Plug M12x1	29.6	16	3.8	2.2	M12	15	21.2	300 ... 30000	30.5	42.7	29.5	13 mm

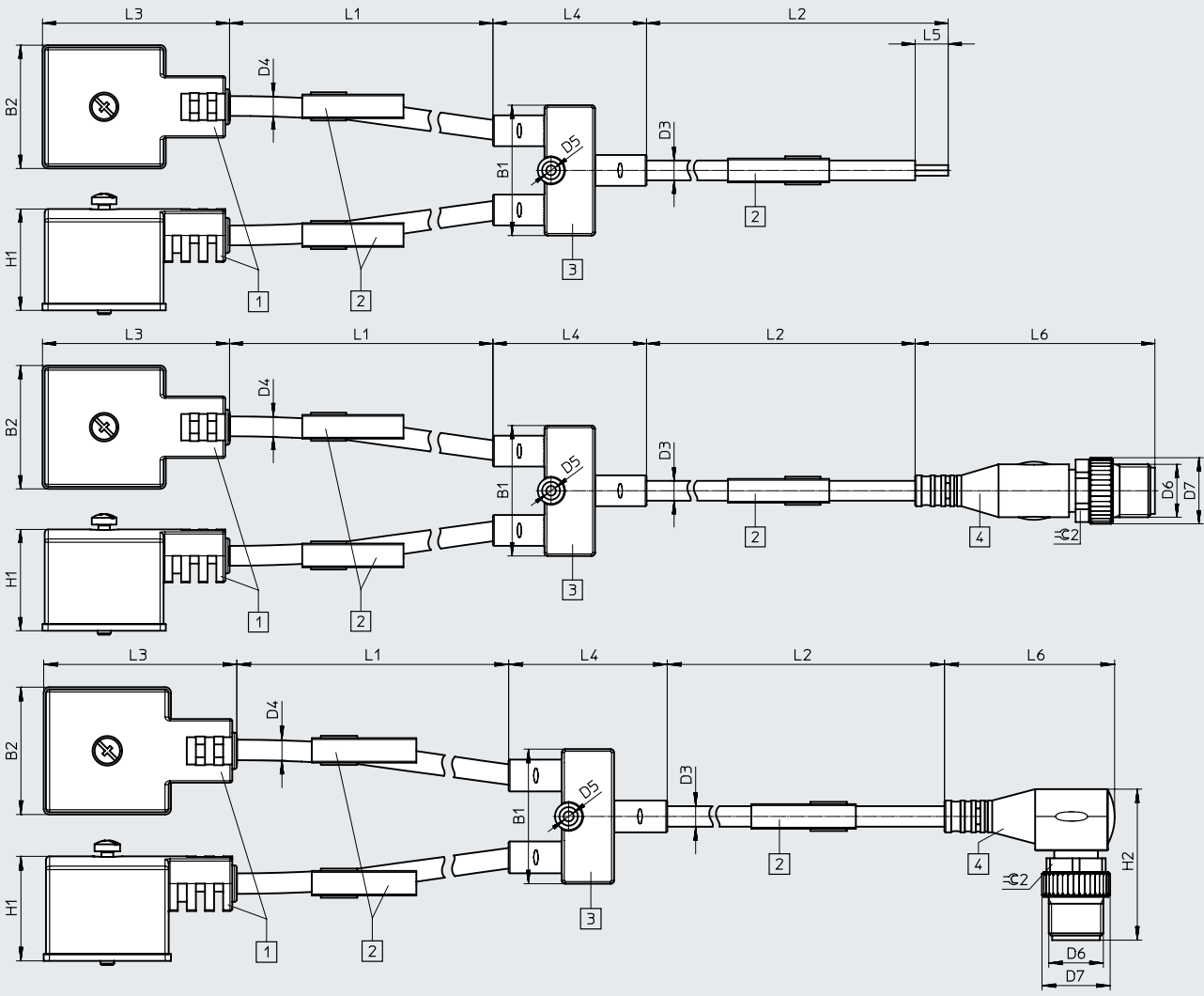


Data sheet

Dimensions

Download CAD data → [www.festo.com](http://www.festo.com)

Y-distributor with cable on both sides



[1] Socket, field device side      [2] Inscription label      [3] Distributor      [4] Plug, controller side

Electrical connection, controller side		B1	B2	D3 ∅	D4 ∅	D5 ∅	D6	H1	H2
Open cable end		29.6	16	3.8	3.8	2.2	–	21.2	–
Plug M8x1	Straight	29.6	16	3.8	3.8	2.2	M8	21.2	–
	Angled	29.6	16	3.8	3.8	2.2	M8	21.2	24
Plug M12x1	Straight	29.6	16	3.8	3.8	2.2	M12	21.2	–
	Angled	29.6	16	3.8	3.8	2.2	M12	21.2	33.2

Electrical connection, controller side		L1	L2	L3	L4	L5	L6	⊕ 2
Open cable end		(300 ... 30000)-L2	(300 ... 30000)-L1	30.5	34.9	50	–	–
Plug M8x1	Straight	(300 ... 30000)-L2	(300 ... 30000)-L1	30.5	34.9	–	41.1	SW9
	Angled	(300 ... 30000)-L2	(300 ... 30000)-L1	30.5	34.9	–	26.9	SW9
Plug M12x1	Straight	(300 ... 30000)-L2	(300 ... 30000)-L1	30.5	34.9	–	54.5	SW13
	Angled	(300 ... 30000)-L2	(300 ... 30000)-L1	30.5	34.9	–	37.5	SW13

Ordering data – Accessories

		Part no.	Type
	Mounting for T-slot	• For Y-distributor with cable on field device side and plug M8x1	<b>8032868</b> <b>NEAU-A-N8-1</b>
		• For Y-distributor with cable on field device side and plug M12x1	<b>8032869</b> <b>NEAU-A-N8-2</b>
		• For Y-distributor with cable on both sides	

## Ordering data – Modular product system

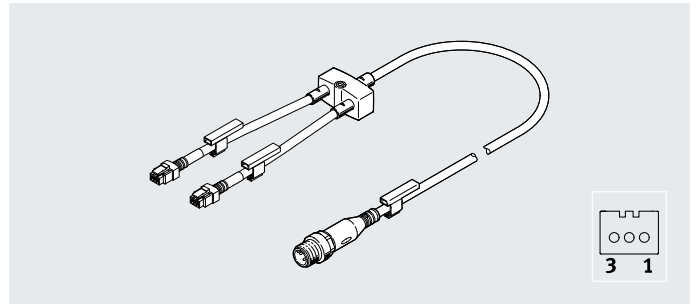
Ordering table		Condi- tions	Code	Enter code
Module no.	<b>8032867</b>			
Distributor	Sensor/actuator distributors		<b>NEDY</b>	NEDY
Distributor type	Y type		<b>-L2R1</b>	-L2R1
Wiring allocation	Standard variant (see circuit diagram, standard)		<b>-V1</b>	-V1
Connection technology on the left, field device side	Socket type C, industry standard, 9.4 mm		<b>-E1</b>	-E1
Cable outlet on the left	Angled		<b>W</b>	W
Number of pins/wires on the left	4-pin		<b>4</b>	4
Display	Signal status LED (for valves only)		<b>L</b>	L
Cable characteristic	Suitable for use with energy chains/robot applications		<b>-U</b>	-U
Cable length on the left [m]	0.3 ... 30	[1]	<b>-...L</b>	
Cable designation	With inscription label holder			
	Without inscription label holder		<b>-N</b>	
Connection technology on the right, controller side	Open end		<b>-LE</b>	
	Plug M8x1, A-coded, EN 61076-2-104		<b>-M8</b>	
	Plug M12x1, A-coded, EN 61076-2-101		<b>-M12</b>	
Cable outlet on the right	None	[2]		
	Straight	[3]	<b>G</b>	
	Angled	[3]	<b>W</b>	
Number of pins/wires on the right	3-pin	[2]	<b>3</b>	
	4-pin	[4]	<b>4</b>	
Cable length on the right [m]	None			
	0.3 ... 30	[5]	<b>-...R</b>	

- 1) -...L The sum of the cable length on the left and cable length on the right must not exceed 30 m
- 2) 3 Only with connection technology on the right, LE
- 3) G, W Not in combination with connection technology on the right, controller side LE
- 4) 4 Only with connection technology on the right M8 or M12
- 5) -...R The sum of the cable length on the left and cable length on the right must not exceed 30 m  
Mandatory specification in combination with cable outlet on the right, W  
Mandatory specification in combination with connection technology on the right, controller side LE

## Data sheet

## Distributor NEDY-L2R1-V1-H1

- Dual distributor
- For connecting valves



## General technical data

Design	Y-distributor
Distributor type	Y type
Type of mounting	Via accessories, via through-hole for M2 screw
Cable designation	Via inscription label holder (optional)
Based on standard	EN 61076-2-101, EN 61076-2-104

## Electrical connection 2

Function	Field device side
Connection type	2x socket
Cable outlet	Straight
Design	Rectangular
Connection technology	Plug pattern H
Number of pins/wires	3
Assigned pins/wires	2
Display	–

## Technical data – Electrical components

Operating voltage range	[V DC]	0 ... 30
Surge resistance	[kV]	0.8
Acceptable current load at 40°C	[A]	3
Pollution degree		3

## Technical data – Cable

	Field device side	Controller side
Cable diameter	[mm] 3.4	3.8
Conductor nominal cross section	[mm <sup>2</sup> ] 0.14	0.25
Cable characteristic	Standard	Suitable for use with energy chains/robot applications
Cable test conditions	Resistance to bending: to Festo standard; test conditions on request • Resistance to bending: 10000 cycles • Torsional strength: > 300000 cycles, ±270°/0.1 m	Resistance to bending: to Festo standard; test conditions on request • Energy chain: 5 million cycles, bending radius 28 mm • Torsional strength: > 300000 cycles, ±270°/0.1 m
Bending radius, flexible cable installation	[mm] 34	39

## Data sheet

### Technical data – Electrical connection 1

Function	Controller side		
Connection type	Plug		Open end
Cable outlet	Straight, angled	Straight, angled	–
Design	Round	Round	–
Connection technology	M8x1, A-coded	M12x1, A-coded	–
Number of pins/wires	4	4	3
Assigned pins/wires	3	3	3
Display	–	–	–
Based on standard	To EN 61076-2-104	To EN 61076-2-101	–

### Materials

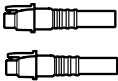
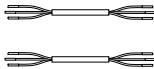
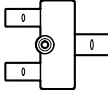
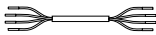

Housing	PA, POM, TPE-U(PUR)
Housing colour	Black
Threaded sleeve	Nickel-plated brass
Seals	NBR
Pin contacts	Gold-plated copper alloy, tin-plated copper alloy
Cable sheath	TPE-U(PUR)
Cable sheath colour	Grey
Note on materials	RoHS-compliant
PWIS conformity	VDMA24364-B2-L

### Operating and environmental conditions

Ambient temperature	[°C]	–20 ... +80
Note on ambient temperature	[°C]	–10 ... +40 with mounting via through-hole
Ambient temperature with flexible cable installation	[°C]	–5 ... +70
Storage temperature	[°C]	–20 ... +70
Degree of protection		IP40
CE marking (see declaration of conformity) <sup>1)</sup>		To EU RoHS Directive
UKCA marking (see declaration of conformity) <sup>1)</sup>		To UK RoHS instructions
Corrosion resistance class CRC <sup>2)</sup>		4

- 1) For information about the area of use, see the EC declaration of conformity at: [www.festo.com/catalogue/nedy](http://www.festo.com/catalogue/nedy) → Support/Downloads.  
If the devices are subject to usage restrictions in residential, commercial or light-industrial environments, further measures for the reduction of the emitted interference may be necessary.
- 2) More information [www.festo.com/x/topic/kbk](http://www.festo.com/x/topic/kbk)

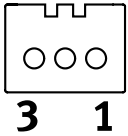
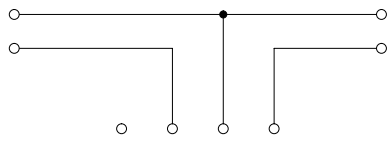
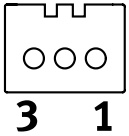
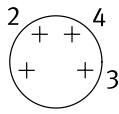
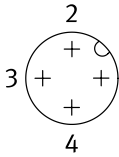
### Product weight

									
<b>2x socket [g]</b>		<b>2x cable [g/m]</b>		<b>Distributor [g]</b>		<b>Cable [g/m]</b>		<b>Plug [g]</b>	
Plug pattern H	2	2-wire	31	With cable outlet	10	3-wire	19.5	M8x1	4.5
				With plug M12x1	17			M12x1, straight	12
				With plug M8x1	7			M12x1, angled	12.5
				With socket M8x1	8			Open end	0

The weight of the individual components must be added together to determine the overall weight:  
socket + length x cable + distributor + length x cable + plug

Example:  
NEDY-L2R1-V1-H1G3-U-3L-LE3-10R  
2 g + 3x 31 g + 10 g + 10x 19.5 g + 0 g = 300 g

Data sheet

Circuitry (socket/plug view)		Wiring allocation				Circuitry (socket/plug view)			
Connection no. 4	Pin	Wire colour <sup>1)</sup>					Wire colour <sup>1)</sup>	Pin	Connection no. 2
	1	RD					RD	1	
	2	-					-	2	
	3	BK					BK	3	
		Wire colour <sup>1)</sup>	-	BK	BU	BN			
		Pin	1	4	3	2			
		Plug M8x1							
									
		Plug M12x1							
									

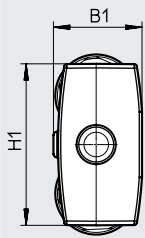
1) To IEC 757

Data sheet

**Dimensions**

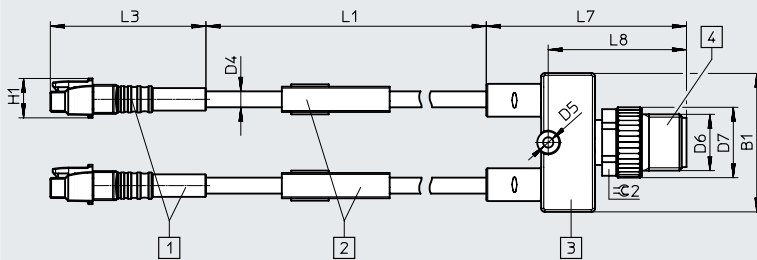
Download CAD data → [www.festo.com](http://www.festo.com)

Distributor body front view



Distributor body front view		B1	H1
Size 1:	• Y-distributor with cable on field device side and plug M8x1	12	21
Size 2:	• Y-distributor with cable on field device side and plug M12x1 • Y-distributor with cable on both sides	16.2	29.6

Y-distributor with cable on field device side



- [1] Socket, field device side      [2] Inscription label      [3] Distributor      [4] Plug, controller side

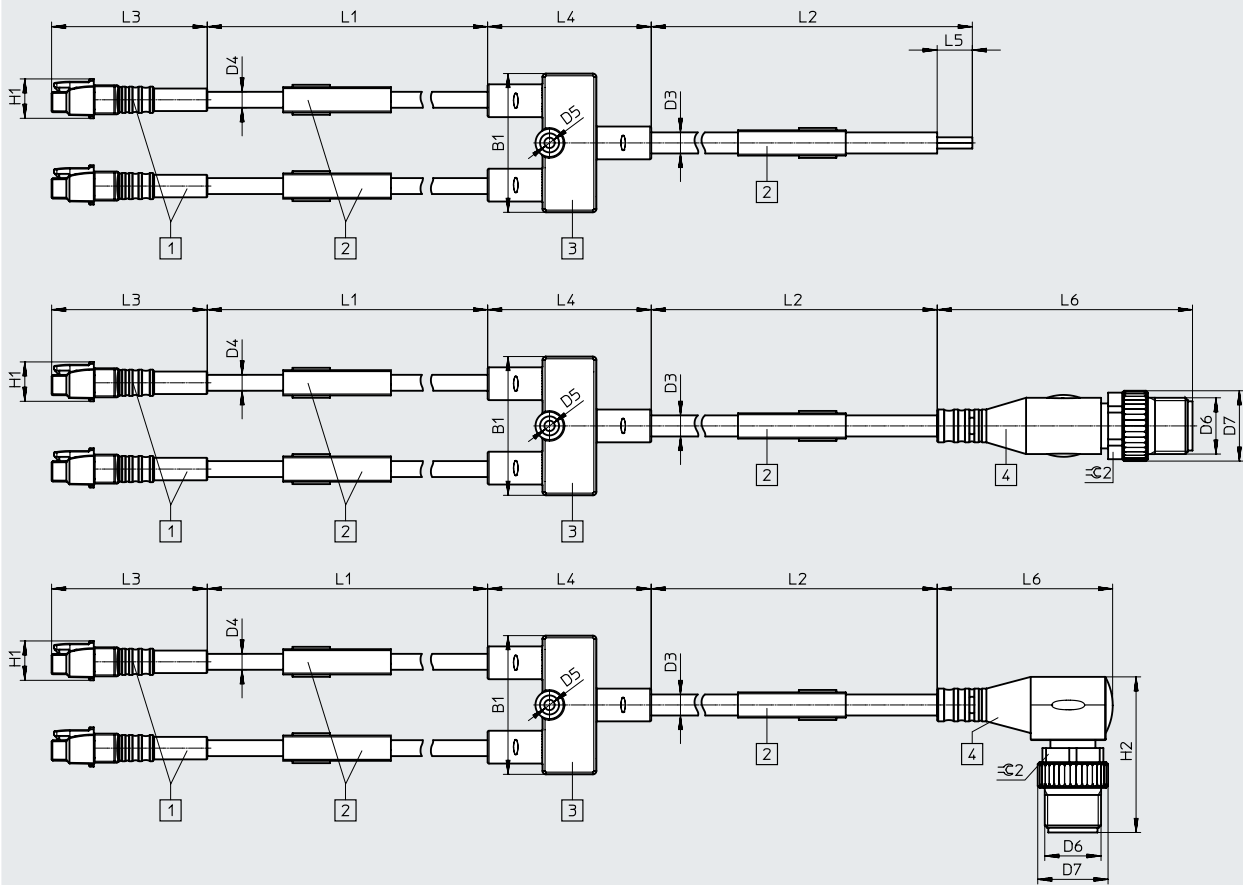
Electrical connection, controller side	B1	D4 ∅	D5 ∅	D6	D7 ∅	H1	L1	L3	L7	L8	⌀ 2
Plug M8x1	21	3.4	2.2	M8	10	8.4	300 ... 30000	33.2	35	21.6	9 mm
Plug M12x1	29.6	3.4	2.2	M12	15	8.4	300 ... 30000	33.2	42.7	29.5	13 mm

Data sheet

Dimensions

Download CAD data → [www.festo.com](http://www.festo.com)

Y-distributor with cable on both sides



[1] Socket, field device side      [2] Inscription label      [3] Distributor      [4] Plug, controller side

Electrical connection, controller side		B1	D3	D4	D5	D6	H1	H2
Open cable end		29.6	3.8	3.4	2.2	–	8.4	–
Plug M8x1	Straight	29.6	3.8	3.4	2.2	M8	8.4	–
	Angled	29.6	3.8	3.4	2.2	M8	8.4	24
Plug M12x1	Straight	29.6	3.8	3.4	2.2	M12	8.4	–
	Angled	29.6	3.8	3.4	2.2	M12	8.4	33.2

Electrical connection, controller side		L1	L2	L3	L4	L5	L6	∅ 2
Open cable end		(300 ... 30000)-L2	(300 ... 30000)-L1	33.2	34.9	50	–	–
Plug M8x1	Straight	(300 ... 30000)-L2	(300 ... 30000)-L1	33.2	34.9	–	41.1	SW9
	Angled	(300 ... 30000)-L2	(300 ... 30000)-L1	33.2	34.9	–	26.9	SW9
Plug M12x1	Straight	(300 ... 30000)-L2	(300 ... 30000)-L1	33.2	34.9	–	54.5	SW13
	Angled	(300 ... 30000)-L2	(300 ... 30000)-L1	33.2	34.9	–	37.5	SW13

Ordering data – Accessories

		Part no.	Type
	Mounting for T-slot	• For Y-distributor with cable on field device side and plug M8x1	<b>8032868</b> <b>NEAU-A-N8-1</b>
		• For Y-distributor with cable on field device side and plug M12x1	<b>8032869</b> <b>NEAU-A-N8-2</b>
		• For Y-distributor with cable on both sides	

Ordering data – Modular product system

Ordering table		Condi- tions	Code	Enter code
Module no.	<b>8032867</b>			
Distributor	Sensor/actuator distributors		<b>NEDY</b>	NEDY
Distributor type	Y type		<b>-L2R1</b>	-L2R1
Wiring allocation	Standard variant (see circuit diagram, standard)		<b>-V1</b>	-V1
Connection technology on the left, field device side	Socket plug pattern H		<b>-H1</b>	-H1
Cable outlet on the left	Straight		<b>G</b>	G
Number of pins/wires on the left	3-pin		<b>3</b>	3
Cable characteristic	Suitable for use with energy chains/robot applications		<b>-U</b>	-U
Cable length on the left [m]	0.3 ... 30	[1]	<b>-...L</b>	
Cable designation	With inscription label holder			
	Without inscription label holder		<b>-N</b>	
Connection technology on the right, controller side	Open end		<b>-LE</b>	
	Plug M8x1, A-coded, EN 61076-2-104		<b>-M8</b>	
	Plug M12x1, A-coded, EN 61076-2-101		<b>-M12</b>	
Cable outlet on the right	None	[2]		
	Straight	[3]	<b>G</b>	
	Angled	[3]	<b>W</b>	
Number of pins/wires on the right	3-pin	[2]	<b>3</b>	
	4-pin	[4]	<b>4</b>	
Cable length on the right [m]	None			
	0.3 ... 30	[5]	<b>-...R</b>	

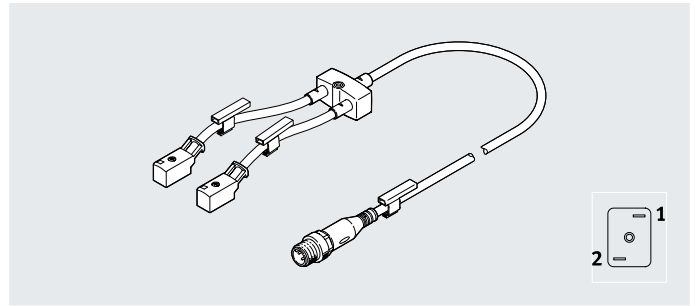
- 1) -...L The sum of the cable length on the left and cable length on the right must not exceed 30 m
- 2) 3 Only with connection technology on the right, LE
- 3) G, W Not in combination with connection technology on the right, controller side LE
- 4) 4 Only with connection technology on the right M8 or M12
- 5) -...R The sum of the cable length on the left and cable length on the right must not exceed 30 m  
Mandatory specification in combination with cable outlet on the right, W  
Mandatory specification in combination with connection technology on the right, controller side LE



## Data sheet

### Distributor NEDY-L2R1-V1-Z1

- Dual distributor
- For connecting valves



General technical data	
Design	Y-distributor
Distributor type	Y type
Type of mounting	Via accessories, via through-hole for M2 screw
Cable designation	Via inscription label holder (optional)
Based on standard	EN 61076-2-101, EN 61076-2-104
Electrical connection 2	
Function	Field device side
Connection type	2x socket
Cable outlet	Angled
Design	Rectangular
Connection technology	Plug pattern ZB, self-tapping screw
Number of pins/wires	2
Assigned pins/wires	2
Display	Yellow LED, signal status indication

Technical data – Electrical components		
Operating voltage range	[V DC]	20.4 ... 26.4
Surge resistance	[kV]	0.8
Acceptable current load at 40°C	[A]	1
Pollution degree		3

Technical data – Cable			
	Field device side	Controller side	
Cable diameter	[mm]	3.4	3.8
Conductor nominal cross section	[mm <sup>2</sup> ]	0.25	0.25
Cable characteristic	Standard	Suitable for use with energy chains/robot applications	
Cable test conditions	Resistance to bending: to Festo standard; test conditions on request • Energy chain: 1.5 million cycles, bending radius 75 mm • Resistance to bending: 20000 cycles	Resistance to bending: to Festo standard; test conditions on request • Energy chain: 5 million cycles, bending radius 28 mm • Torsional strength: > 300000 cycles, ±270°/0.1 m	
Bending radius, flexible cable installation	[mm]	34	39

## Data sheet

### Technical data – Electrical connection 1

Function	Controller side		
Connection type	Plug		Open end
Cable outlet	Straight, angled	Straight, angled	–
Design	Round	Round	–
Connection technology	M8x1, A-coded	M12x1, A-coded	–
Number of pins/wires	4	4	3
Assigned pins/wires	3	3	3
Display	–	–	–
Based on standard	To EN 61076-2-104	To EN 61076-2-101	–

### Materials

Housing	PA, TPE-U(PUR)
Housing colour	Black
Threaded sleeve	Nickel-plated brass
Seals	NBR, TPE-O
Pin contacts	Gold-plated copper alloy, tin-plated copper alloy
Cable sheath	TPE-U(PUR)
Cable sheath colour	Grey
Note on materials	RoHS-compliant
PWIS conformity	VDMA24364-B2-L

### Operating and environmental conditions

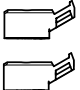
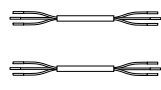
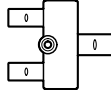
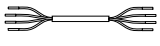
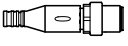
Ambient temperature	[°C]	–10 ... +50
Note on ambient temperature	[°C]	–10 ... +40 with mounting via through-hole
Ambient temperature with flexible cable installation	[°C]	–5 ... +50
Storage temperature	[°C]	–10 ... +50
Degree of protection		IP65
CE marking (see declaration of conformity) <sup>1)</sup>		To EU RoHS Directive
UKCA marking (see declaration of conformity) <sup>1)</sup>		To UK RoHS instructions
Corrosion resistance class CRC <sup>2)</sup>		2

1) For information about the area of use, see the EC declaration of conformity at: [www.festo.com/catalogue/ned](http://www.festo.com/catalogue/ned) → Support/Downloads.

If the devices are subject to usage restrictions in residential, commercial or light-industrial environments, further measures for the reduction of the emitted interference may be necessary.

2) More information [www.festo.com/x/topic/kbk](http://www.festo.com/x/topic/kbk)

### Product weight

									
2x socket [g]		2x cable [g/m]		Distributor [g]		Cable [g/m]		Plug [g]	
Plug pattern ZB	5	2-wire	31	With cable outlet	10	3-wire	19.5	M8x1	4.5
				With plug M12x1	17			M12x1, straight	12
				With plug M8x1	7			M12x1, angled	12.5
				With socket M8x1	8			Open end	0

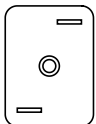
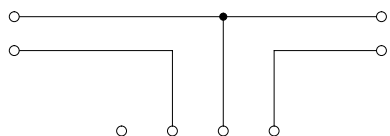
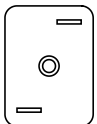
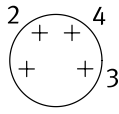
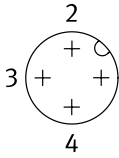
The weight of the individual components must be added together to determine the overall weight:  
socket + length x cable + distributor + length x cable + plug

Example:

NEDY-L2R1-V1-Z1W2L-U-3L-LE3-10R

5 g + 3x 31 g + 10 g + 10x 19.5 g + 0 g = 303 g

Data sheet

Circuitry (socket/plug view)		Wiring allocation				Circuitry (socket/plug view)			
Connection no. 4		Pin	Wire colour <sup>1)</sup>			Wire colour <sup>1)</sup>	Pin	Connection no. 2	
	1	BK			BK	1			
	2	BK			BK	2			
			Wire colour <sup>1)</sup>	-	BK	BU		BN	
			Pin	1	4	3		2	
		Plug M8x1							
									
		Plug M12x1							
									

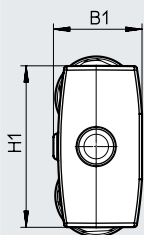
1) To IEC 757

## Data sheet

### Dimensions

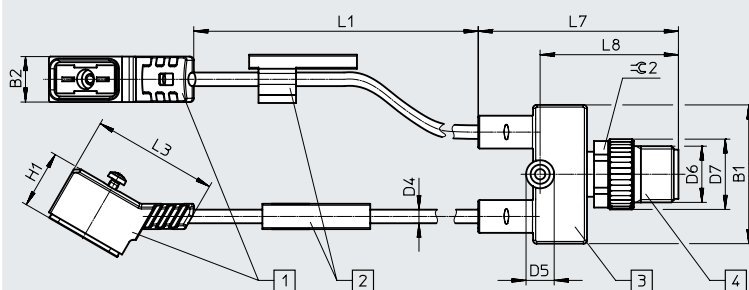
Download CAD data → [www.festo.com](http://www.festo.com)

Distributor body front view



Distributor body front view		B1	H1
Size 1:	• Y-distributor with cable on field device side and plug M8x1	12	21
Size 2:	• Y-distributor with cable on field device side and plug M12x1 • Y-distributor with cable on both sides	16.2	29.6

Y-distributor with cable on field device side



[1] Socket, field device side      [2] Inscription label      [3] Distributor      [4] Plug, controller side

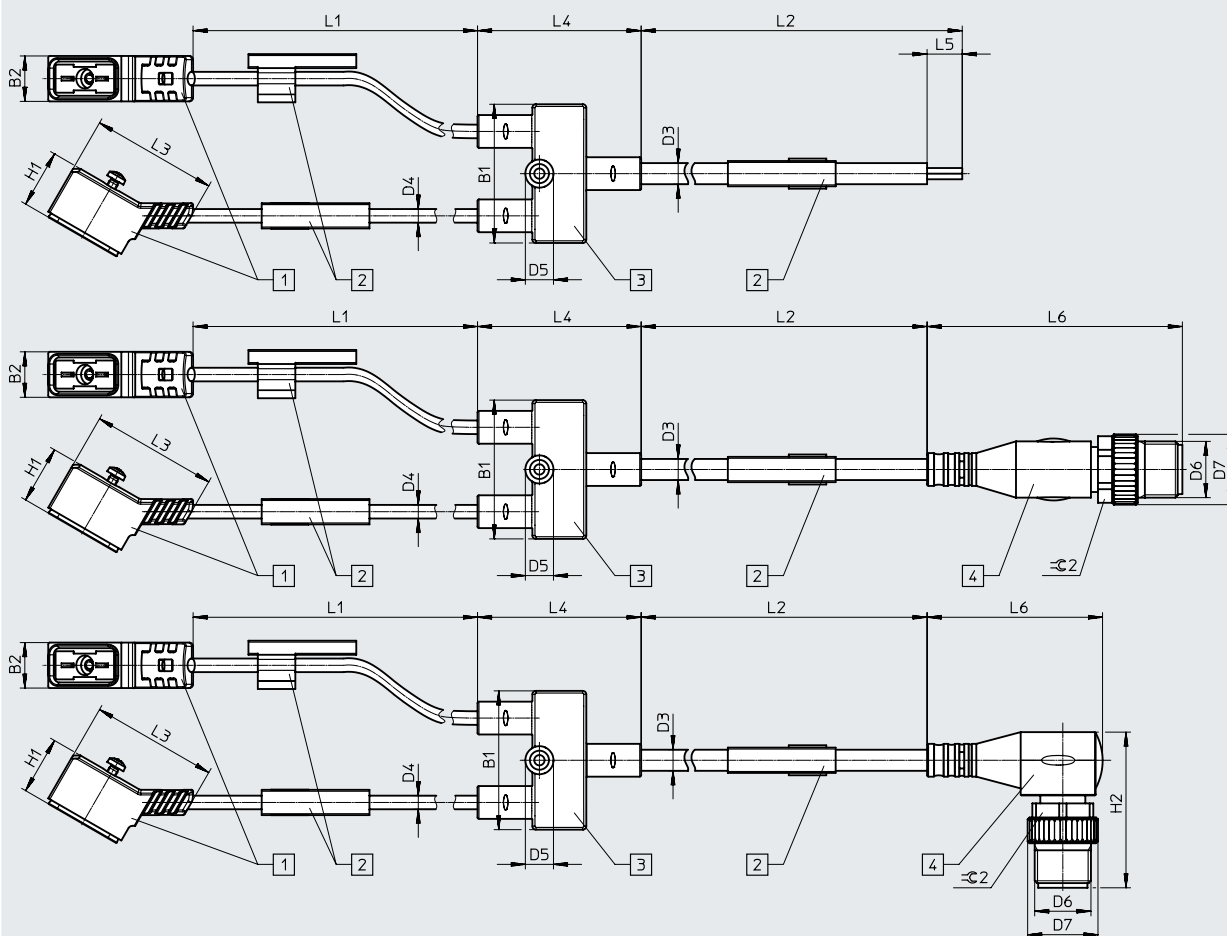
Electrical connection, controller side	B1	B2	D4 ∅	D5 ∅	D6	D7 ∅	H1	L1	L3	L7	L8	∠ 2
Plug M8x1	21	9.7	3.4	2.2	M8	10	11.3	300 ... 30000	28.4	35	21.6	9 mm
Plug M12x1	29.6	9.7	3.4	2.2	M12	15	11.3	300 ... 30000	28.4	42.7	29.5	13 mm

Data sheet

Dimensions

Download CAD data → [www.festo.com](http://www.festo.com)

Y-distributor with cable on both sides



[1] Socket, field device side      [2] Inscription label      [3] Distributor      [4] Plug, controller side

Electrical connection, controller side		B1	B2	D3 ∅	D4 ∅	D5 ∅	D6	H1	H2
Open cable end		29.6	9.7	3.8	3.4	2.2	–	11.3	–
Plug M8x1	Straight	29.6	9.7	3.8	3.4	2.2	M8	11.3	–
	Angled	29.6	9.7	3.8	3.4	2.2	M8	11.3	24
Plug M12x1	Straight	29.6	9.7	3.8	3.4	2.2	M12	11.3	–
	Angled	29.6	9.7	3.8	3.4	2.2	M12	11.3	33.2

Electrical connection, controller side		L1	L2	L3	L4	L5	L6	∠ 2
Open cable end		(300 ... 30000)-L2	(300 ... 30000)-L1	28.4	34.9	50	–	–
Plug M8x1	Straight	(300 ... 30000)-L2	(300 ... 30000)-L1	28.4	34.9	–	41.1	SW9
	Angled	(300 ... 30000)-L2	(300 ... 30000)-L1	28.4	34.9	–	26.9	SW9
Plug M12x1	Straight	(300 ... 30000)-L2	(300 ... 30000)-L1	28.4	34.9	–	54.5	SW13
	Angled	(300 ... 30000)-L2	(300 ... 30000)-L1	28.4	34.9	–	37.5	SW13

Ordering data – Accessories

		Part no.	Type
	Mounting for T-slot	• For Y-distributor with cable on field device side and plug M8x1	<b>8032868</b> <b>NEAU-A-N8-1</b>
		• For Y-distributor with cable on field device side and plug M12x1	<b>8032869</b> <b>NEAU-A-N8-2</b>
		• For Y-distributor with cable on both sides	

Ordering data – Modular product system

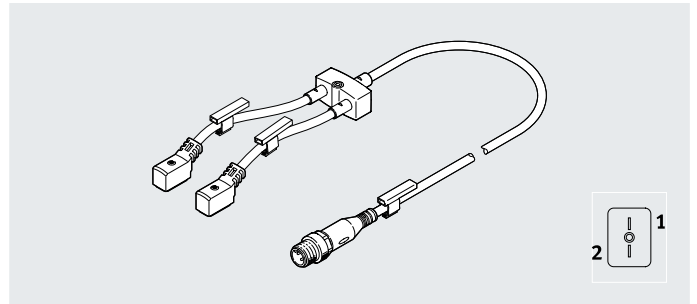
Ordering table		Condi- tions	Code	Enter code
Module no.	<b>8032867</b>			
Distributor	Sensor/actuator distributors		<b>NEDY</b>	NEDY
Distributor type	Y type		<b>-L2R1</b>	-L2R1
Wiring allocation	Standard variant (see circuit diagram, standard)		<b>-V1</b>	-V1
Connection technology on the left, field device side	Socket plug pattern ZB, self-tapping screw		<b>-Z1</b>	-Z1
Cable outlet on the left	Angled		<b>W</b>	W
Number of pins/wires on the left	2-pin		<b>2</b>	2
Display	Signal status LED (for valves only)		<b>L</b>	L
Cable characteristic	Suitable for use with energy chains/robot applications		<b>-U</b>	-U
Cable length on the left [m]	0.3 ... 30	[1]	<b>-...L</b>	
Cable designation	With inscription label holder			
	Without inscription label holder		<b>-N</b>	
Connection technology on the right, controller side	Open end		<b>-LE</b>	
	Plug M8x1, A-coded, EN 61076-2-104		<b>-M8</b>	
	Plug M12x1, A-coded, EN 61076-2-101		<b>-M12</b>	
Cable outlet on the right	None	[2]		
	Straight	[3]	<b>G</b>	
	Angled	[3]	<b>W</b>	
Number of pins/wires on the right	3-pin	[2]	<b>3</b>	
	4-pin	[4]	<b>4</b>	
Cable length on the right [m]	None			
	0.3 ... 30	[5]	<b>-...R</b>	

- 1) -...L The sum of the cable length on the left and cable length on the right must not exceed 30 m
- 2) 3 Only with connection technology on the right, LE
- 3) G, W Not in combination with connection technology on the right, controller side LE
- 4) 4 Only with connection technology on the right M8 or M12
- 5) -...R The sum of the cable length on the left and cable length on the right must not exceed 30 m  
Mandatory specification in combination with cable outlet on the right, W  
Mandatory specification in combination with connection technology on the right, controller side LE

## Data sheet

### Distributor NEDY-L2R1-V1-Z3

- Dual distributor
- With LED indicator for signal status and holding current reduction for connecting valves without holding current reduction



General technical data	
Design	Y-distributor
Distributor type	Y type
Type of mounting	Via accessories, via through-hole for M2 screw
Cable designation	Via inscription label holder (optional)
Based on standard	EN 61076-2-101, EN 61076-2-104
Electrical connection 2	
Function	Field device side
Connection type	2x socket
Cable outlet	Angled
Design	Rectangular
Connection technology	Plug pattern ZC, self-tapping screw
Number of pins/wires	2
Assigned pins/wires	2
Display	Yellow LED, signal status indication
Additional function	Holding current reduction

Technical data – Electrical components		
Operating voltage range	[V DC]	20.4 ... 26.4
Surge resistance	[kV]	0.8
Acceptable current load at 40°C	[A]	1
Pollution degree		3

Technical data – Cable			
		Field device side	Controller side
Cable diameter	[mm]	2.9	3.8
Conductor nominal cross section	[mm <sup>2</sup> ]	0.14	0.25
Cable characteristic		Suitable for use with energy chains/robot applications	Suitable for use with energy chains/robot applications
Cable test conditions		Resistance to bending: to Festo standard; test conditions on request • Energy chain: 5 million cycles, bending radius 28 mm • Torsional strength: > 300000 cycles, ±270°/0.1 m	Resistance to bending: to Festo standard; test conditions on request • Energy chain: 5 million cycles, bending radius 28 mm • Torsional strength: > 300000 cycles, ±270°/0.1 m
Bending radius, flexible cable installation	[mm]	30	39

## Data sheet

### Technical data – Electrical connection 1

Function	Controller side		
Connection type	Plug		Open end
Cable outlet	Straight, angled	Straight, angled	–
Design	Round	Round	–
Connection technology	M8x1, A-coded	M12x1, A-coded	–
Number of pins/wires	4	4	3
Assigned pins/wires	3	3	3
Display	–	–	–
Based on standard	To EN 61076-2-104	To EN 61076-2-101	–

### Materials

Housing	PA, TPE-U(PUR)
Housing colour	Black
Threaded sleeve	Nickel-plated brass
Pin contacts	Gold-plated copper alloy, tin-plated copper alloy
Cable sheath	TPE-U(PUR)
Cable sheath colour	Grey
Note on materials	RoHS-compliant
PWIS conformity	VDMA24364-B2-L

### Operating and environmental conditions

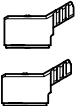
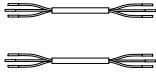
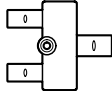

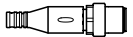
Ambient temperature [°C]	–10 ... +50
Note on ambient temperature [°C]	–10 ... +40 with mounting via through-hole
Ambient temperature with flexible cable installation [°C]	–5 ... +50
Storage temperature [°C]	–10 ... +50
CE marking (see declaration of conformity) <sup>1)</sup>	To EU EMC Directive
	To EU RoHS Directive
UKCA marking (see declaration of conformity) <sup>1)</sup>	To UK instructions for EMC
	To UK RoHS instructions
Certification	RCM
Degree of protection	IP65
Corrosion resistance class CRC <sup>2)</sup>	3

1) For information about the area of use, see the EC declaration of conformity at: [www.festo.com/catalogue/medy](http://www.festo.com/catalogue/medy) → Support/Downloads.

If the devices are subject to usage restrictions in residential, commercial or light-industrial environments, further measures for the reduction of the emitted interference may be necessary.

2) More information [www.festo.com/x/topic/kbk](http://www.festo.com/x/topic/kbk)

### Product weight

									
<b>2x socket [g]</b>		<b>2x cable [g/m]</b>		<b>Distributor [g]</b>		<b>Cable [g/m]</b>		<b>Plug [g]</b>	
Plug pattern ZC	5	2-wire	21	With cable outlet	10	3-wire	19.5	M8x1	4.5
				With plug M12x1	17			M12x1, straight	12
				With plug M8x1	7			M12x1, angled	12.5
				With socket M8x1	8			Open end	0

The weight of the individual components must be added together to determine the overall weight:  
socket + length x cable + distributor + length x cable + plug

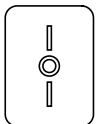
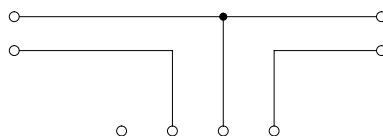
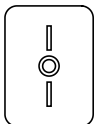
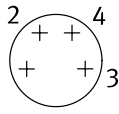
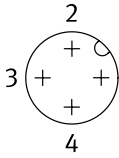
Example:

NEDY-L2R1-V1-Z3W2Z-U-3L-LE3-10R

5 g + 3x 21 g + 10 g + 10x 19.5 g + 0 g = 273 g



Data sheet

Circuitry (socket/plug view)		Wiring allocation				Circuitry (socket/plug view)				
Connection no. 4		Pin	Wire colour <sup>1)</sup>			Wire colour <sup>1)</sup>	Pin	Connection no. 2		
	1	BK					BK	1		
	2	BK					BK	2		
			Wire colour <sup>1)</sup>	-	BK	BU	BN			
			Pin	1	4	3	2			
		Plug M8x1								
										
		Plug M12x1								
										

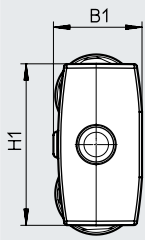
1) To IEC 757

Data sheet

Dimensions

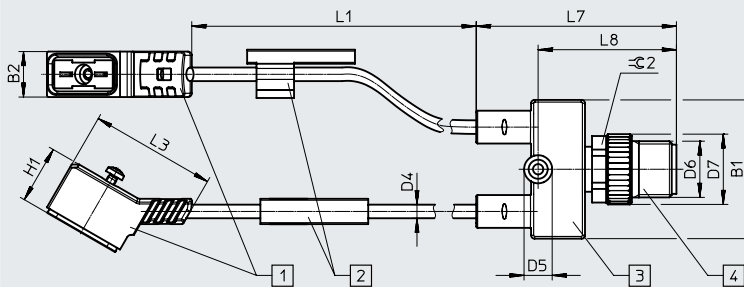
Download CAD data → [www.festo.com](http://www.festo.com)

Distributor body front view



Distributor body front view		B1	H1
Size 1:	• Y-distributor with cable on field device side and plug M8x1	12	21
Size 2:	• Y-distributor with cable on field device side and plug M12x1 • Y-distributor with cable on both sides	16.2	29.6

Y-distributor with cable on field device side



[1] Socket, field device side      [2] Inscription label      [3] Distributor      [4] Plug, controller side

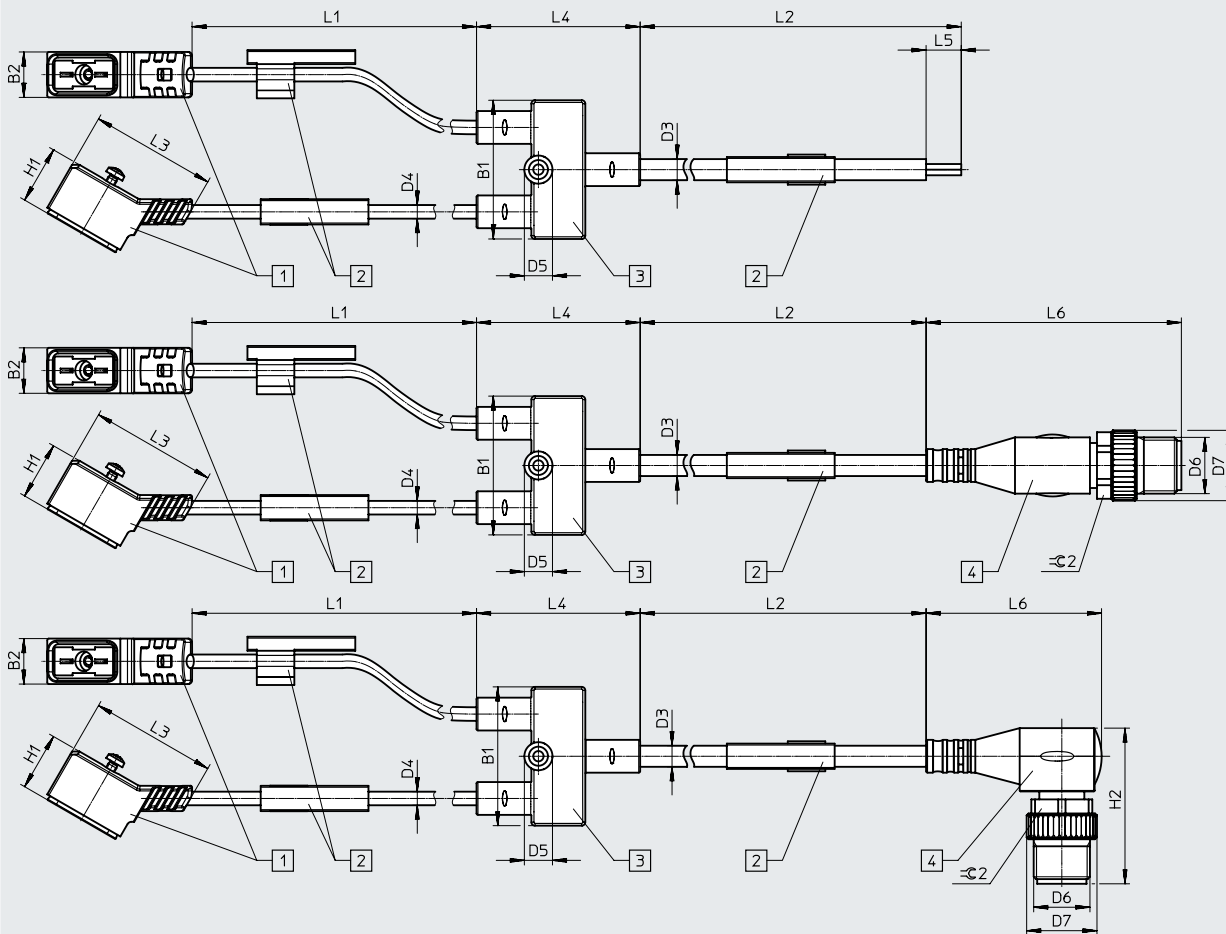
Electrical connection, controller side	B1	B2	D4 ∅	D5 ∅	D6	D7 ∅	H1	L1	L3	L7	L8	±2
Plug M8x1	21	9.7	2.9	2.2	M8	10	12	300 ... 30000	26.9	35	21.6	9 mm
Plug M12x1	29.6	9.7	2.9	2.2	M12	15	12	300 ... 30000	26.9	42.7	29.5	13 mm

Data sheet

Dimensions

Download CAD data → [www.festo.com](http://www.festo.com)

Y-distributor with cable on both sides



[1] Socket, field device side      [2] Inscription label      [3] Distributor      [4] Plug, controller side

Electrical connection, controller side		B1	B2	D3 ∅	D4 ∅	D5 ∅	D6	H1	H2
Open cable end		29.6	9.7	3.8	2.9	2.2	–	12	–
Plug M8x1	Straight	29.6	9.7	3.8	2.9	2.2	M8	12	–
	Angled	29.6	9.7	3.8	2.9	2.2	M8	12	24
Plug M12x1	Straight	29.6	9.7	3.8	2.9	2.2	M12	12	–
	Angled	29.6	9.7	3.8	2.9	2.2	M12	12	33.2

Electrical connection, controller side		L1	L2	L3	L4	L5	L6	<math>\varnothing 2</math>
Open cable end		(300 ... 30000)-L2	(300 ... 30000)-L1	26.9	34.9	50	–	–
Plug M8x1	Straight	(300 ... 30000)-L2	(300 ... 30000)-L1	26.9	34.9	–	41.1	SW9
	Angled	(300 ... 30000)-L2	(300 ... 30000)-L1	26.9	34.9	–	26.9	SW9
Plug M12x1	Straight	(300 ... 30000)-L2	(300 ... 30000)-L1	26.9	34.9	–	54.5	SW13
	Angled	(300 ... 30000)-L2	(300 ... 30000)-L1	26.9	34.9	–	37.5	SW13

Ordering data – Accessories

		Part no.	Type
	Mounting for T-slot	• For Y-distributor with cable on field device side and plug M8x1	<b>8032868</b> <b>NEAU-A-N8-1</b>
		• For Y-distributor with cable on field device side and plug M12x1	<b>8032869</b> <b>NEAU-A-N8-2</b>
		• For Y-distributor with cable on both sides	

Ordering data – Modular product system

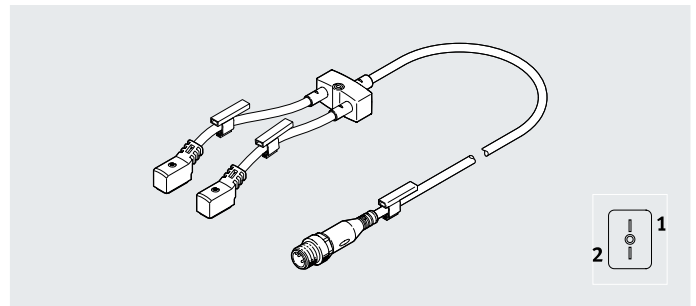
Ordering table		Condi- tions	Code	Enter code
Module no.	<b>8032867</b>			
Distributor	Sensor/actuator distributors		<b>NEDY</b>	NEDY
Distributor type	Y type		<b>-L2R1</b>	-L2R1
Wiring allocation	Standard variant (see circuit diagram, standard)		<b>-V1</b>	-V1
Connection technology on the left, field device side	Socket, plug pattern ZC, self-tapping screw		<b>-Z3</b>	-Z3
Cable outlet on the left	Angled		<b>W</b>	W
Number of pins/wires on the left	2-pin		<b>2</b>	2
Display	Signal status, holding current reduction LED (only for valves)		<b>Z</b>	Z
Cable characteristic	Suitable for use with energy chains/robot applications		<b>-U</b>	-U
Cable length on the left [m]	0.3 ... 30	[1]	<b>-...L</b>	
Cable designation	With inscription label holder			
	Without inscription label holder		<b>-N</b>	
Connection technology on the right, controller side	Open end		<b>-LE</b>	
	Plug M8x1, A-coded, EN 61076-2-104		<b>-M8</b>	
	Plug M12x1, A-coded, EN 61076-2-101		<b>-M12</b>	
Cable outlet on the right	None	[2]		
	Straight	[3]	<b>G</b>	
	Angled	[3]	<b>W</b>	
Number of pins/wires on the right	3-pin	[2]	<b>3</b>	
	4-pin	[4]	<b>4</b>	
Cable length on the right [m]	None			
	0.3 ... 30	[5]	<b>-...R</b>	

- 1) -...L The sum of the cable length on the left and cable length on the right must not exceed 30 m
- 2) 3 Only with connection technology on the right, LE
- 3) G, W Not in combination with connection technology on the right, controller side LE
- 4) 4 Only with connection technology on the right M8 or M12
- 5) -...R The sum of the cable length on the left and cable length on the right must not exceed 30 m  
Mandatory specification in combination with cable outlet on the right, W  
Mandatory specification in combination with connection technology on the right, controller side LE

## Data sheet

## Distributor NEDY-L2R1-V1-Z4

- Dual distributor
- With LED indicator for signal status for connecting valves
- With LED indicator for signal status and holding current reduction for connecting valves without holding current reduction



## General technical data

Design	Y-distributor
Distributor type	Y type
Type of mounting	Via accessories, via through-hole for M2 screw
Cable designation	Via inscription label holder (optional)
Based on standard	EN 61076-2-101, EN 61076-2-104

## Electrical connection 2

Function	Field device side
Connection type	2x socket
Cable outlet	Angled
Design	Rectangular
Connection technology	Plug pattern ZC, metric screw
Number of pins/wires	2
Assigned pins/wires	2
Display	Yellow LED, signal status indication
Additional function	Holding current reduction

## Technical data – Electrical components

Operating voltage range	[V DC]	20.4 ... 26.4
Surge resistance	[kV]	0.8
Acceptable current load at 40°C	[A]	1
Pollution degree		3

## Technical data – Cable

	Field device side	Controller side
Cable diameter	[mm] 2.9	3.8
Conductor nominal cross section	[mm <sup>2</sup> ] 0.14	0.25
Cable characteristic	Suitable for use with energy chains/robot applications	Suitable for use with energy chains/robot applications
Note on cable characteristics	Standard for field device side	–
Cable test conditions	Resistance to bending: to Festo standard; test conditions on request • Energy chain: 5 million cycles, bending radius 28 mm • Torsional strength: > 300000 cycles, ±270°/0.1 m	Resistance to bending: to Festo standard; test conditions on request • Energy chain: 5 million cycles, bending radius 28 mm • Torsional strength: > 300000 cycles, ±270°/0.1 m
Note on cable test conditions	• For standard cable characteristics: energy chain: 1.5 million cycles, bending radius 75 mm, flexural strength: as per Festo standard, test conditions on request	–
Bending radius, flexible cable installation	[mm] 30	39

## Data sheet

Technical data – Electrical connection 1			
Function	Controller side		
Connection type	Plug		Open end
Cable outlet	Straight, angled	Straight, angled	–
Design	Round	Round	–
Connection technology	M8x1, A-coded	M12x1, A-coded	–
Number of pins/wires	4	4	3
Assigned pins/wires	3	3	3
Display	–	–	–
Based on standard	To EN 61076-2-104	To EN 61076-2-101	–

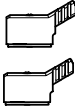
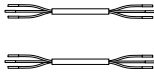
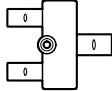


Materials	
Housing	PA, TPE-U(PUR)
Housing colour	Black
Threaded sleeve	Nickel-plated brass
Pin contacts	Gold-plated copper alloy, tin-plated copper alloy
Cable sheath	TPE-U(PUR)
Cable sheath colour	Grey
Note on materials	RoHS-compliant
PWIS conformity	VDMA24364-B2-L

Operating and environmental conditions	
Ambient temperature [°C]	–10 ... +50
Note on ambient temperature [°C]	–10 ... +40 with mounting via through-hole
Ambient temperature with flexible cable installation [°C]	–5 ... +50
Storage temperature [°C]	–10 ... +50
CE marking (see declaration of conformity) <sup>1)</sup>	To EU EMC Directive
	To EU RoHS Directive
UKCA marking (see declaration of conformity) <sup>1)</sup>	To UK instructions for EMC
	To UK RoHS instructions
Certification	RCM
Degree of protection	IP65
Corrosion resistance class CRC <sup>2)</sup>	3

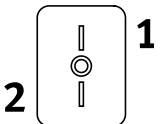
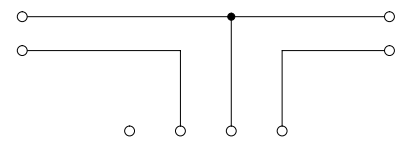
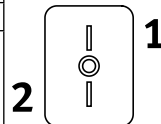
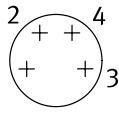
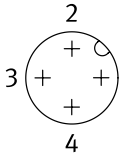
1) For information about the area of use, see the EC declaration of conformity at: [www.festo.com/catalogue/medy](http://www.festo.com/catalogue/medy) → Support/Downloads.

If the devices are subject to usage restrictions in residential, commercial or light-industrial environments, further measures for the reduction of the emitted interference may be necessary.

2) More information [www.festo.com/x/topic/kbk](http://www.festo.com/x/topic/kbk)

Product weight					
					
					
<b>2x socket [g]</b>		<b>2x cable [g/m]</b>		<b>Distributor [g]</b>	
Plug pattern ZC	5	2-wire	21	With cable outlet	10
				With plug M12x1	17
				With plug M8x1	7
				With socket M8x1	8
				<b>Cable [g/m]</b>	
				3-wire	19.5
				<b>Plug [g]</b>	
				M8x1	4.5
				M12x1, straight	12
				M12x1, angled	12.5
				Open end	0
<p>The weight of the individual components must be added together to determine the overall weight:                      socket + length x cable + distributor + length x cable + plug</p> <p>Example:                      NEDY-L2R1-V1-Z4W2L-U-3L-LE3-10R  <math>5\text{ g} + 3 \times 21\text{ g} + 10\text{ g} + 10 \times 19.5\text{ g} + 0\text{ g} = 273\text{ g}</math></p>					

Data sheet

Circuitry (socket/plug view)		Wiring allocation					Circuitry (socket/plug view)			
Connection no. 4		Pin	Wire colour <sup>1)</sup>				Wire colour <sup>1)</sup>	Pin	Connection no. 2	
	1	BK						BK	1	
	2	BK						BK	2	
			Wire colour <sup>1)</sup>	-	BK	BU	BN			
			Pin	1	4	3	2			
		Plug M8x1								
										
		Plug M12x1								
										

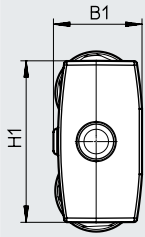
1) To IEC 757

Data sheet

Dimensions

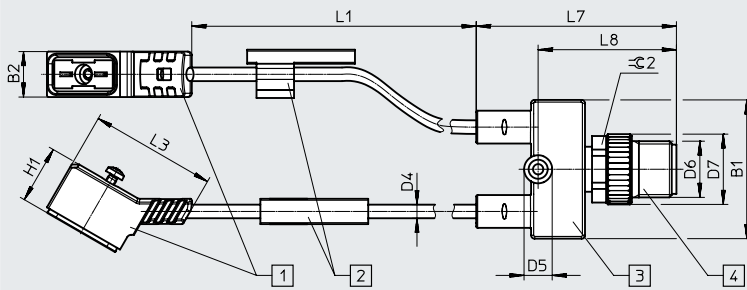
Download CAD data → [www.festo.com](http://www.festo.com)

Distributor body front view



Distributor body front view		B1	H1
Size 1:	• Y-distributor with cable on field device side and plug M8x1	12	21
Size 2:	• Y-distributor with cable on field device side and plug M12x1 • Y-distributor with cable on both sides	16.2	29.6

Y-distributor with cable on field device side



[1] Socket, field device side      [2] Inscription label      [3] Distributor      [4] Plug, controller side

Electrical connection, controller side	B1	B2	D4 ∅	D5 ∅	D6	D7 ∅	H1	L1	L3	L7	L8	±2
Plug M8x1	21	9.7	2.9	2.2	M8	10	12	300 ... 30000	26.9	35	21.6	9 mm
Plug M12x1	29.6	9.7	2.9	2.2	M12	15	12	300 ... 30000	26.9	42.7	29.5	13 mm

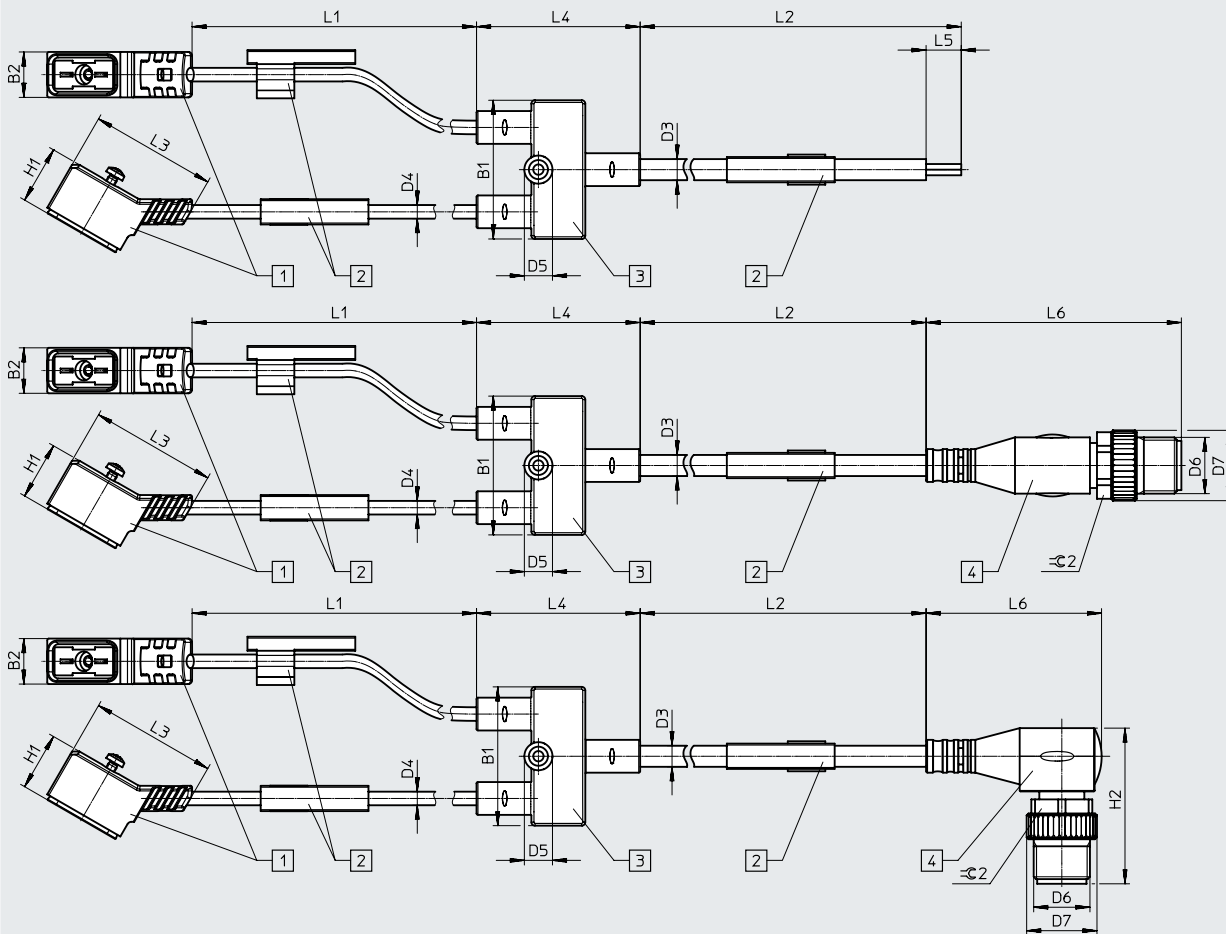


Data sheet

Dimensions

Download CAD data → [www.festo.com](http://www.festo.com)

Y-distributor with cable on both sides

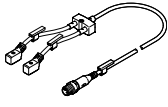
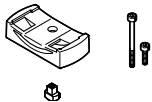


[1] Socket, field device side      [2] Inscription label      [3] Distributor      [4] Plug, controller side

Electrical connection, controller side		B1	B2	D3 ∅	D4 ∅	D5 ∅	D6	H1	H2
Open cable end		29.6	9.7	3.8	2.9	2.2	-	12	-
Plug M8x1	Straight	29.6	9.7	3.8	2.9	2.2	M8	12	-
	Angled	29.6	9.7	3.8	2.9	2.2	M8	12	24
Plug M12x1	Straight	29.6	9.7	3.8	2.9	2.2	M12	12	-
	Angled	29.6	9.7	3.8	2.9	2.2	M12	12	33.2

Electrical connection, controller side		L1	L2	L3	L4	L5	L6	∅ 2
Open cable end		(300 ... 30000)-L2	(300 ... 30000)-L1	26.9	34.9	50	-	-
Plug M8x1	Straight	(300 ... 30000)-L2	(300 ... 30000)-L1	26.9	34.9	-	41.1	SW9
	Angled	(300 ... 30000)-L2	(300 ... 30000)-L1	26.9	34.9	-	26.9	SW9
Plug M12x1	Straight	(300 ... 30000)-L2	(300 ... 30000)-L1	26.9	34.9	-	54.5	SW13
	Angled	(300 ... 30000)-L2	(300 ... 30000)-L1	26.9	34.9	-	37.5	SW13

## Data sheet

Ordering data							
	Field device side		Controller side		Weight [g]	Part no.	Type
	Cable length [m]		Electrical connection	Cable length [m]			
<b>Y-distributor with cables on both sides, with holding current reduction</b>							
	0.3		Plug, straight, M8x1	2.5	82	<b>8035789</b>	<b>NEDY-L2R1-V1-Z4W2Z-U-0.3L-M8G4-2.5R</b>
				5	131	<b>8035790</b>	<b>NEDY-L2R1-V1-Z4W2Z-U-0.3L-M8G4-5R</b>
	0.3		Plug, straight, M12x1	2.5	90	<b>8035787</b>	<b>NEDY-L2R1-V1-Z4W2Z-U-0.3L-M8G4-2.5R</b>
				5	139	<b>8035788</b>	<b>NEDY-L2R1-V1-Z4W2Z-U-0.3L-M12G4-5R</b>
<b>Ordering data – Accessories</b>							
	Mounting for T-slot		<ul style="list-style-type: none"> <li>• For Y-distributor with cable on field device side and plug M8x1</li> <li>• For Y-distributor with cable on field device side and plug M12x1</li> <li>• For Y-distributor with cable on both sides</li> </ul>				
					<b>8032868</b>	<b>NEAU-A-N8-1</b>	
					<b>8032869</b>	<b>NEAU-A-N8-2</b>	

## Ordering data – Modular product system

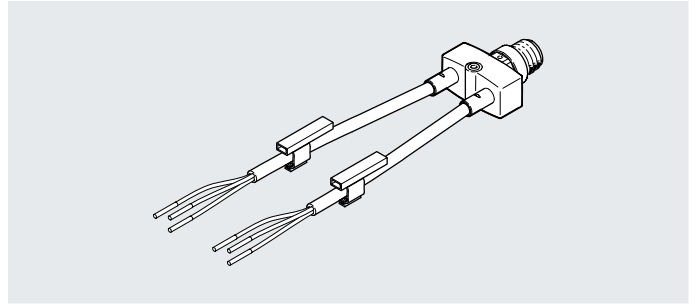
Ordering table		Condi- tions	Code	Enter code
Module no.	<b>8032867</b>			
Distributor	Sensor/actuator distributors		<b>NEDY</b>	NEDY
Distributor type	Y type		<b>-L2R1</b>	-L2R1
Wiring allocation	Standard variant (see circuit diagram, standard)		<b>-V1</b>	-V1
Connection technology on the left, field device side	Socket, plug pattern ZC, metric screw		<b>-Z4</b>	-Z4
Cable outlet on the left	Angled		<b>W</b>	W
Number of pins/wires on the left	2-pin		<b>2</b>	2
Display	Signal status LED (for valves only)		<b>L</b>	
	Signal status, holding current reduction LED (only for valves)		<b>Z</b>	
Cable characteristic	Suitable for use with energy chains/robot applications		<b>-U</b>	-U
Cable length on the left [m]	0.3 ... 30	[1]	<b>-...L</b>	
Cable designation	With inscription label holder			
	Without inscription label holder		<b>-N</b>	
Connection technology on the right, controller side	Open end		<b>-LE</b>	
	Plug M8x1, A-coded, EN 61076-2-104		<b>-M8</b>	
	Plug M12x1, A-coded, EN 61076-2-101		<b>-M12</b>	
Cable outlet on the right	None	[2]		
	Straight	[3]	<b>G</b>	
	Angled	[3]	<b>W</b>	
Number of pins/wires on the right	3-pin	[2]	<b>3</b>	
	4-pin	[4]	<b>4</b>	
Cable length on the right [m]	None			
	0.3 ... 30	[5]	<b>-...R</b>	

- 1) -...L The sum of the cable length on the left and cable length on the right must not exceed 30 m
- 2) 3 Only with connection technology on the right, LE
- 3) G, W Not in combination with connection technology on the right, controller side LE
- 4) 4 Only with connection technology on the right M8 or M12
- 5) -...R The sum of the cable length on the left and cable length on the right must not exceed 30 m  
Mandatory specification in combination with cable outlet on the right, W  
Mandatory specification in combination with connection technology on the right, controller side LE

## Data sheet

**Distributor NEDY-L2R1-V1-LE**

- Dual distributor
- For self-assembly



General technical data	
Design	Y-distributor
Distributor type	Y type
Type of mounting	Via accessories, via through-hole for M2 screw
Cable designation	Via inscription label holder (optional)
Based on standard	EN 61076-2-101, EN 61076-2-104
Electrical connection 2	
Function	Field device side
Connection type	2x open end
Number of pins/wires	3
Assigned pins/wires	3
Display	None

Technical data – Electrical components				
Electrical connection 1		Plug M8x1	Plug M12x1	Open end
Operating voltage range	[V DC]	0 ... 30	0 ... 30	0 ... 30
	[V AC]	0 ... 30	0 ... 30	0 ... 30
Surge resistance	[kV]	0.8	0.8	0.8
Acceptable current load at 40°C	[A]	3	4	4
Pollution degree		3	3	3

Technical data – Cable		
	Field device side	Controller side
Cable diameter	[mm] 3.8	4.5
Conductor nominal cross section	[mm <sup>2</sup> ] 0.25	0.25
Cable characteristic	Suitable for use with energy chains/robot applications	Suitable for use with energy chains/robot applications
Cable test conditions	Resistance to bending: to Festo standard; test conditions on request • Energy chain: 5 million cycles, bending radius 28 mm • Torsional strength: > 300000 cycles, ±270°/0.1 m	Resistance to bending: to Festo standard; test conditions on request • Energy chain: 5 million cycles, bending radius 28 mm • Torsional strength: > 300000 cycles, ±270°/0.1 m
Bending radius, flexible cable installation	[mm] 39	46

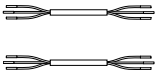
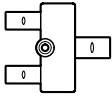


## Data sheet

Technical data – Electrical connection 1			
Function	Controller side		
Connection type	Plug		Open end
Cable outlet	Straight, angled	Straight, angled	–
Design	Round	Round	–
Connection technology	M8x1, A-coded	M12x1, A-coded	–
Number of pins/wires	4	4	4
Assigned pins/wires	4	4	4
Display	–	–	–
Based on standard	To EN 61076-2-104	To EN 61076-2-101	–

Materials	
Housing	PA, TPE-U(PUR)
Housing colour	Black
Threaded sleeve	Nickel-plated brass
Seals	NBR
Pin contacts	Gold-plated copper alloy
Cable sheath	TPE-U(PUR)
Cable sheath colour	Grey
Note on materials	RoHS-compliant Free of halogen and phosphoric acid ester
PWIS conformity	VDMA24364-B2-L

Operating and environmental conditions		
Ambient temperature	[°C]	–25 ... +80
Note on ambient temperature	[°C]	–10 ... +40 with mounting via through-hole
Ambient temperature with flexible cable installation	[°C]	–20 ... +80
Storage temperature	[°C]	–25 ... +80
Degree of protection		IP65/IP68, IP69K
CE marking (see declaration of conformity) <sup>1)</sup>		To EU RoHS Directive
Corrosion resistance class CRC <sup>2)</sup>		4

- 1) For information about the area of use, see the EC declaration of conformity at: [www.festo.com/catalogue/medy](http://www.festo.com/catalogue/medy) → Support/Downloads.  
If the devices are subject to usage restrictions in residential, commercial or light-industrial environments, further measures for the reduction of the emitted interference may be necessary.
- 2) More information [www.festo.com/x/topic/kbk](http://www.festo.com/x/topic/kbk)

Product weight					
					
–	<b>2x cable [g/m]</b>		<b>Distributor [g]</b>		<b>Cable [g/m]</b>
–	3-wire	41	With cable outlet	10	4-wire
			With plug M12x1	17	26.5
			With plug M8x1	7	
					<b>Plug [g]</b>
					M8x1
					M12x1, straight
					M12x1, angled
					Open end
					4.5
					12
					12.5
					0
The weight of the individual components must be added together to determine the overall weight: socket + length x cable + distributor + length x cable + plug					
Example: NEDY-L2R1-V1-LE3-U-3L-LE4-10R 0 g + 3x 41 g + 10 g + 10x 26.5 g + 0 g = 398 g					

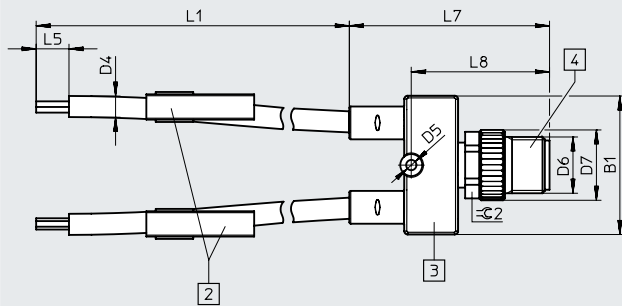
Data sheet

Circuitry (socket/plug view)		Wiring allocation		Wire colour <sup>1)</sup>		Connection no. 2			
Connection no. 4	Pin	Wire colour <sup>1)</sup>					Wire colour <sup>1)</sup>	Pin	Connection no. 2
	-	BN					BN	-	
	-	BU					BN	-	
	-	BK					BU	-	
			Wire colour <sup>1)</sup>	BN	BK	BU	WH		
			Pin	1	4	3	2		
			Plug M8x1						
			Plug M12x1						

1) To IEC 757

Dimensions

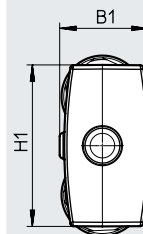
Y-distributor with cable on field device side



[2] Inscription label                      [3] Distributor                      [4] Plug, controller side

Download CAD data → [www.festo.com](http://www.festo.com)

Distributor body front view



Electrical connection, controller side	B1	D4 ∅	D5 ∅	D6	D7 ∅	L1	L5	L7	L8	⊕ 2
Plug M8x1	21	3.8	2.2	M8	10	300 ... 30000	50	35	21.6	9 mm
Plug M12x1	29.6	3.8	2.2	M12	15	300 ... 30000	50	42.7	29.5	13 mm

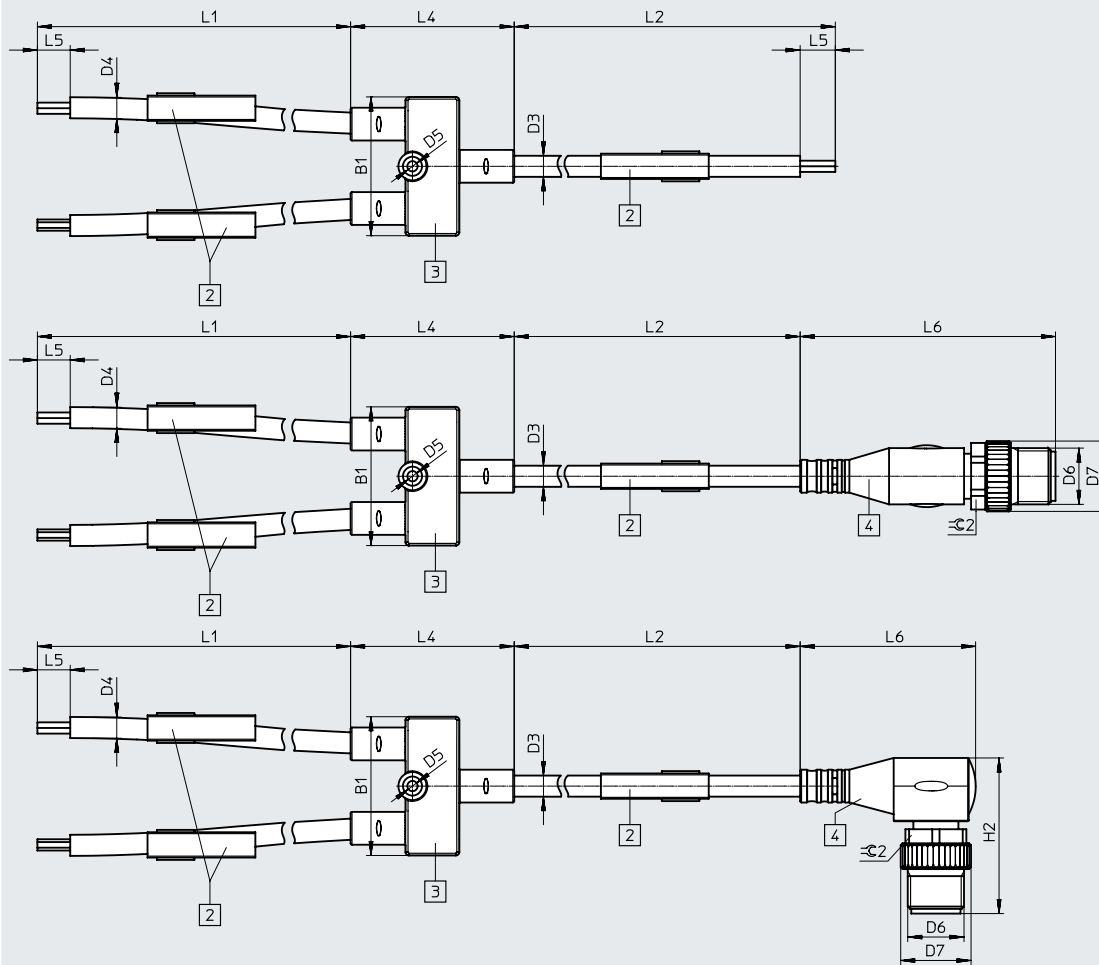
Distributor body front view		B1	H1
Size 1:	• Y-distributor with cable on field device side and plug M8x1	12	21
Size 2:	• Y-distributor with cable on field device side and plug M12x1 • Y-distributor with cable on both sides	16.2	29.6

Data sheet

Dimensions

Download CAD data → [www.festo.com](http://www.festo.com)

Y-distributor with cable on both sides



[2] Inscription label

[3] Distributor

[4] Plug, controller side

Electrical connection, controller side		B1	D3 ∅	D4 ∅	D5 ∅	D6	D7	H2	L1	L2	L4	L5	L6	⊕ 2
Open cable end		29.6	4.5	3.8	2.2	–	–	–	(300 ... 30000)-L2	(300 ... 30000)-L1	34.9	50	–	–
Plug M8x1	Straight	29.6	4.5	3.8	2.2	M8	10	–	(300 ... 30000)-L2	(300 ... 30000)-L1	34.9	50	41.1	9 mm
	Angled	29.6	4.5	3.8	2.2	M8	10	24	(300 ... 30000)-L2	(300 ... 30000)-L1	34.9	50	26.9	9 mm
Plug M12x1	Straight	29.6	4.5	3.8	2.2	M12	15	–	(300 ... 30000)-L2	(300 ... 30000)-L1	34.9	50	54.5	13 mm
	Angled	29.6	4.5	3.8	2.2	M12	15	33.2	(300 ... 30000)-L2	(300 ... 30000)-L1	34.9	50	37.5	13 mm

Ordering data – Accessories

			Part no.	Type
	Mounting for T-slot	• For Y-distributor with cable on field device side and plug M8x1	8032868	NEAU-A-N8-1
		• For Y-distributor with cable on field device side and plug M12x1	8032869	NEAU-A-N8-2
		• For Y-distributor with cable on both sides		

Ordering data – Modular product system

Ordering table		Condi- tions	Code	Enter code
Module no.	<b>8032867</b>			
Distributor	Sensor/actuator distributors		<b>NEDY</b>	NEDY
Distributor type	Y type		<b>-L2R1</b>	-L2R1
Wiring allocation	Standard variant (see circuit diagram, standard)		<b>-V1</b>	-V1
Connection technology on the left, field device side	Open end		<b>-LE</b>	-LE
Number of pins/wires on the left	3-pin		<b>3</b>	3
Cable characteristic	Suitable for use with energy chains/robot applications		<b>-U</b>	-U
Cable length on the left [m]	0.3 ... 30	[1]	<b>-...L</b>	
Cable designation	With inscription label holder			
	Without inscription label holder		<b>-N</b>	
Connection technology on the right, controller side	Open end		<b>-LE</b>	
	Plug M8x1, A-coded, EN 61076-2-104		<b>-M8</b>	
	Plug M12x1, A-coded, EN 61076-2-101		<b>-M12</b>	
Cable outlet on the right	None			
	Straight	[2]	<b>G</b>	
	Angled	[2]	<b>W</b>	
Number of pins/wires on the right	4-pin		<b>4</b>	4
Cable length on the right [m]	None			
	0.3 ... 30	[3]	<b>-...R</b>	

- 1) -...L The sum of the cable length on the left and cable length on the right must not exceed 30 m
- 2) G, W Not in combination with connection technology on the right, controller side LE
- 3) -...R The sum of the cable length on the left and cable length on the right must not exceed 30 m  
Mandatory specification in combination with cable outlet on the right, W  
Mandatory specification in combination with connection technology on the right, controller side LE