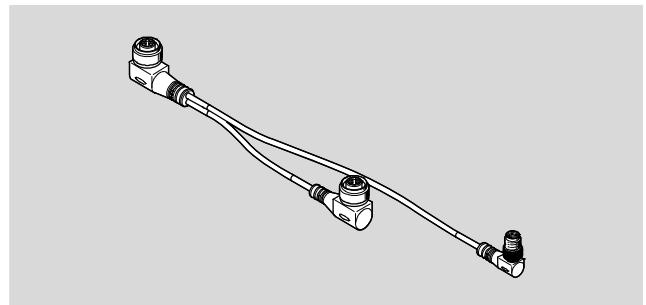


Distributors NEDV for valves

Technical data

Connecting cable NEDV-L2R1-V7

- Connecting cable for VPWP valves
- Pre-assembled
- 0.2 m cable length
- For connection to sub-base VAPB-S3



General technical data	
Electrical connection	2x angled sockets, M12, 3-pin One angled plug, M8, 4-pin
Based on standard	EN 61076-2-101, EN 61076-2-104, EN 61984
Cable composition [mm ²]	2x0.14
Cable diameter [mm]	2.9
Cable length [m]	0.2
Operating voltage range [DC V]	0 ... 30
Acceptable current load [A]	2
Mounting position	Any
Protection class to EN 60529	IP65

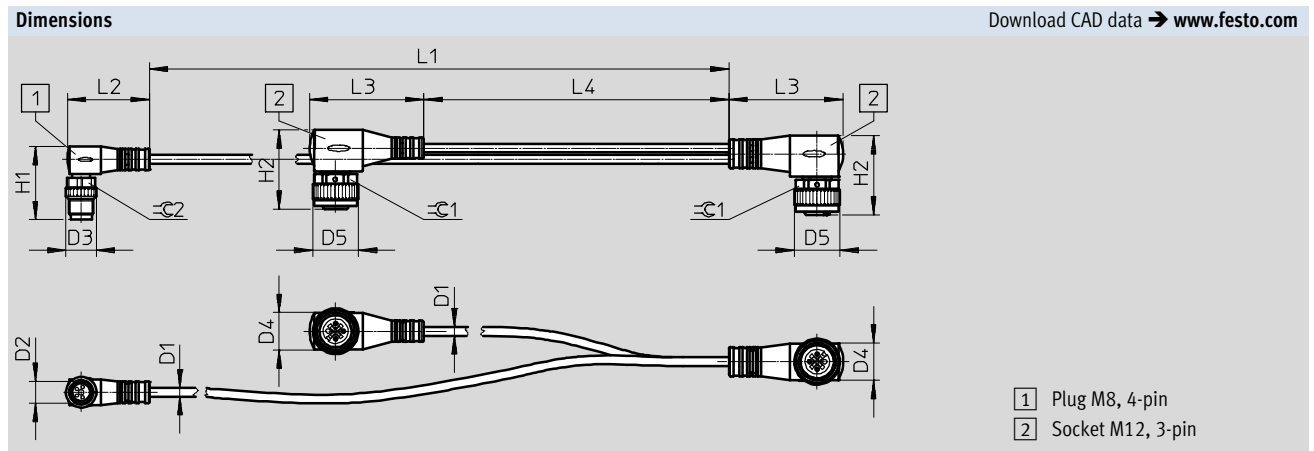
Materials	
Cable sheath	TPE-U (PUR)
Note on materials	RoHS-compliant

Operating and environmental conditions	
Ambient temperature [°C]	-25 ... +80

Circuitry (socket/plug view)		
Socket	Circuitry	Socket

Distributors NEDV for valves

Technical data



Type	D1 Ø	D2	D3 Ø	D4	D5 Ø	H1	H2	L1	L2	L3	L4	∅C1	∅C2
NEDV-L2R1-V7-M12W3-K-0.1L1-N-M8W4-0.2R1	2.9	M8x1	10	M12x1	15	24	26	200	26.9	37.5	100	13	9

Ordering data				
Electrical connection	Product weight [g]	Length [m]	Part No.	Type
<ul style="list-style-type: none"> • 2x angled sockets, M12, 3-pin • One angled plug, M8, 4-pin 	28	0.2	2384165	NEDV-L2R1-V7-M12W3-K-0.1L1-N-M8W4-0.2R1

Festo - Your Partner in Automation



1 Festo Inc.
5300 Explorer Drive
Mississauga, ON L4W 5G4
Canada

Festo Customer Interaction Center
Tel: 1 877 463 3786
Fax: 1 877 393 3786
Email: customer.service.ca@festo.com

2 Festo Pneumatic
Av. Ceylán 3,
Col. Tequesquináhuac
54020 Tlalneantla,
Estado de México

Multinational Contact Center
01 800 337 8669
ventas.mexico@festo.com

3 Festo Corporation
1377 Motor Parkway
Suite 310
Islandia, NY 11749

Festo Customer Interaction Center
1 800 993 3786
1 800 963 3786
customer.service.us@festo.com

4 Regional Service Center
7777 Columbia Road
Mason, OH 45040

Connect with us



www.festo.com/socialmedia



www.festo.com

Subject to change