

## Type codes

<b>001</b>	<b>Series</b>	
<b>NEBV</b>	Connecting cable for valves	

<b>002</b>	<b>Product version</b>	
	Standard	
<b>C</b>	Easy-to-clean design	

<b>003</b>	<b>Connection technology left, field device side</b>	
<b>A1</b>	Socket type A, EN 175301-803	
<b>B2</b>	Socket type B, industry standard, 11 mm	
<b>C1S</b>	Socket type C, narrow design	
<b>Z4</b>	Socket connection pattern ZC, metric screw	
<b>Z3</b>	Socket connection pattern ZC, self-tapping screw	
<b>M8</b>	Socket M8x1 A-coded, EN 61076-2-104	
<b>M12</b>	Socket M12x1 A-coded, EN 61076-2-101	
<b>S1</b>	Sub-D socket	
<b>S7</b>	Sub-D HD socket	
<b>H1</b>	Socket connection pattern H	
<b>Q7</b>	Port pattern Q7 socket	
<b>HS</b>	Socket connection pattern S	

<b>004</b>	<b>Cable outlet left</b>	
	None	
<b>G</b>	Straight	
<b>W</b>	Angled	
<b>WA</b>	Angled 45°	

<b>005</b>	<b>Number of pins/wires on the left</b>	
<b>2</b>	2	
<b>3</b>	3	
<b>4</b>	4	
<b>8</b>	8	
<b>9</b>	9	
<b>15</b>	15	
<b>25</b>	25	
<b>37</b>	37	
<b>44</b>	44	

<b>006</b>	<b>Display</b>	
	None	
<b>F</b>	LED signal status, AC	
<b>L</b>	LED signal status, DC	
<b>N</b>	LED switching state, NPN	
<b>P</b>	LED switching state, PNP	
<b>U</b>	LED, UC	

<b>007</b>	<b>Additional socket functions</b>	
	None	
<b>HL</b>	Hood for MPA-L	
<b>HM</b>	Hood for MPA-S	
<b>HS</b>	With seal	

<b>008</b>	<b>Circuitry</b>	
	None	
<b>P</b>	Protective circuit	
<b>R</b>	Holding current reduction with integrated protective circuit	

<b>009</b>	<b>Cable characteristic</b>	
<b>P</b>	Basic	
<b>K</b>	Standard	
<b>E</b>	Suitable for energy chains	
<b>F</b>	Food-safe to standard	

<b>010</b>	<b>Cable design</b>	
	Standard	
<b>M</b>	Alternative material	
<b>N</b>	Leads	
<b>D</b>	Double cable	

<b>011</b>	<b>Cable length [m]</b>	
<b>0.1</b>	0.1	
<b>0.2</b>	0.2	
<b>0.3</b>	0.3	
<b>0.5</b>	0.5	
<b>0.6</b>	0.6	
<b>1</b>	1	
<b>2</b>	2	
<b>2.5</b>	2.5	
<b>3</b>	3	
<b>5</b>	5	
<b>10</b>	10	

<b>012</b>	<b>Cable identification</b>	
	With label holder	
<b>N</b>	Without label holder	

<b>013</b>	<b>Connection technology right, controller side</b>	
<b>M8</b>	Plug M8x1 A-coded, EN 61076-2-104	
<b>M12</b>	Plug M12x1 A-coded, EN 61076-2-101	
<b>Z1</b>	Port pattern ZB plug, self-tapping screw	
<b>LE</b>	Open end	

<b>014</b>	<b>Plug</b>	
	None	
<b>G</b>	Straight	
<b>W</b>	Angled	

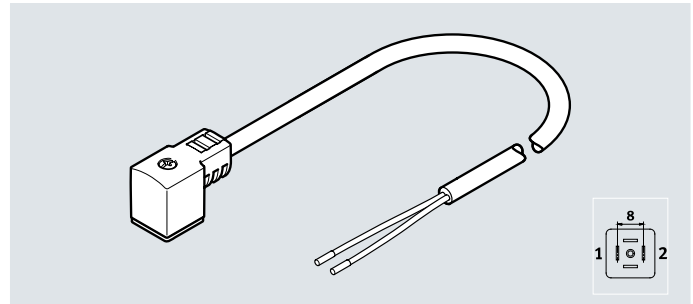
<b>015</b>	<b>Number of pins/wires on the right</b>	
<b>2</b>	2	
<b>3</b>	3	
<b>4</b>	4	
<b>5</b>	5	
<b>10</b>	10	
<b>15</b>	15	
<b>25</b>	25	
<b>26</b>	26	
<b>27</b>	27	
<b>36</b>	36	
<b>37</b>	37	
<b>39</b>	39	
<b>44</b>	44	

<b>016</b>	<b>Degree of protection, electrical system</b>	
	Standard	
<b>S6</b>	IP40	
<b>S1</b>	IP65	
<b>S9</b>	IP65/IP67	
<b>S10</b>	IP65/IP67/IP69K	

## Datasheet

### Connecting cable NEBV-C1SW2

- Connecting cable
- Pre-assembled at one end
- For connecting valves
- Cable lengths 0.5 ... 30 m



#### General technical data

Cable designation	Without inscription label holder
-------------------	----------------------------------

#### Technical data – Electrical connection 1

Function	Field device side
Connection type	Socket, narrow
Cable outlet	Angled
Note on cable outlet	180° rotatable
Design	Rectangular
Connection technology	Plug pattern type C to EN 175301 803
Number of pins/wires	4
Assigned pins/wires	2
Type of mounting	On solenoid valve with M2.5 central screw
Signal status indication	Yellow LED
Additional functions	Protective circuit

#### Technical data – Electrical connection 2

Function	Controller side
Connection type	Cable
Connection technology	Open end
Number of pins/wires	2
Assigned pins/wires	2

#### Technical data – Electrics

Nominal operating voltage	[V DC]	24
Operating voltage range	[V DC]	20.4 ... 26.4
Surge resistance	[kV]	2.4
Acceptable current load at 40°C	[A]	6
Pollution degree		3
Contact durability		50
Reverse polarity protection		Bipolar
Protective earth connection		Not provided

## Datasheet

Technical data – Cable		
Cable diameter	[mm]	5.2
Cable diameter tolerance	[mm]	±0.1
Cable composition	[mm <sup>2</sup> ]	2x0.75
Nominal conductor cross section	[mm <sup>2</sup> ]	0.75
Cable characteristic		Standard
Bending radius, flexible cable installation	[mm]	≥52
Cable test conditions		Test conditions on request

Materials	
Housing	TPE-U(PU)
Housing colour	Black
Screws	Stainless steel
Seals	HNBR
Pin contacts	Tin-plated copper alloy
Cable sheath	PVC
Cable sheath colour	Grey
Insulating sheath	PVC
Note on materials	RoHS-compliant

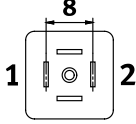
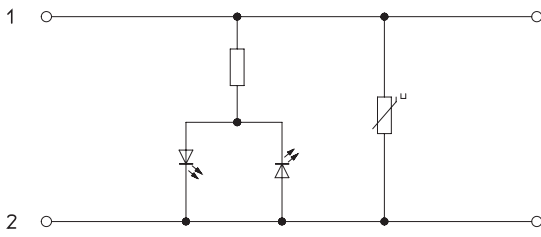
Operating and environmental conditions		
Ambient temperature	[°C]	-20 ... +70
Ambient temperature with flexible cable installation	[°C]	-5 ... +70
Degree of protection		IP65
		IP67
Note on degree of protection		In assembled state
Corrosion resistance class CRC <sup>1)</sup>		3
CE marking (see declaration of conformity) <sup>2)</sup>		To EU RoHS Directive

1) Corrosion resistance class CRC 3 to Festo standard FN 940070

High corrosion stress. Outdoor exposure under moderate corrosive conditions. Externally visible parts with primarily functional surface requirements which are in direct contact with a normal industrial environment.

2) Additional information: [www.festo.com/catalogue/...](http://www.festo.com/catalogue/...) → Support/Downloads.

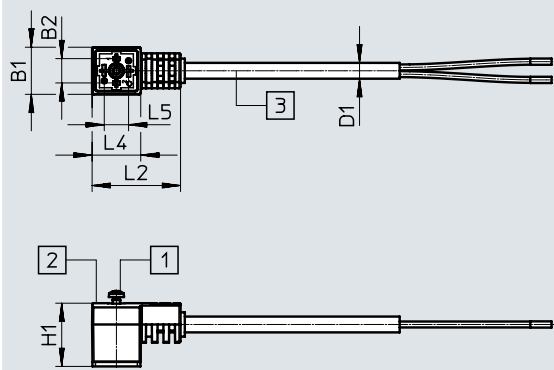
## Datasheet

Circuitry (socket/plug view)		Circuitry	Wire colour <sup>1)</sup>	Electrical connection 2
Electrical connection 1	Pin			
	1		BK	Open end
	2		BK	Open end

1) To IEC 757

### Dimensions

Download CAD data → [www.festo.com](http://www.festo.com)



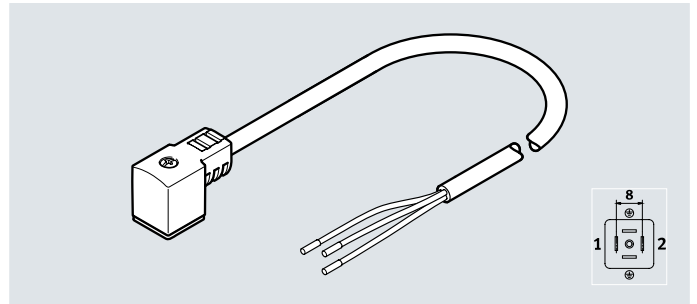
- [1] Retaining screw M3
- [2] Signal status indication
- [3] Cable, length 0.5 ... 30 m depending on the order

Type	B1	B2	D1	H1	L2	L4	L5
NEBV-C1SW2L...S9	15.5	8	5.2	20.8	29	16	8

## Datasheet

### Connecting cable NEBV-C1SW3

- Connecting cable
- Pre-assembled at one end
- For connecting valves
- Cable lengths 0.5 ... 30 m



#### General technical data

Cable designation	Without inscription label holder
-------------------	----------------------------------

#### Technical data – Electrical connection 1

Function	Field device side
Connection type	Socket, narrow
Cable outlet	Angled
Note on cable outlet	180° rotatable
Design	Rectangular
Connection technology	Plug pattern type C to EN 175301 803
Number of pins/wires	4
Assigned pins/wires	4
Type of mounting	On solenoid valve with M2.5 central screw

#### Technical data – Electrical connection 2

Function	Controller side
Connection type	Cable
Connection technology	Open end
Number of pins/wires	3
Assigned pins/wires	3

#### Technical data – Electrics

Operating voltage range	[V DC]	0 ... 230
	[V AC]	0 ... 230
Surge resistance	[kV]	4
Acceptable current load at 40°C	[A]	6
Pollution degree		3
Contact durability		50
Reverse polarity protection		Bipolar
Protective earth connection		Available

## Datasheet

Technical data – Cable		
Cable diameter	[mm]	5.2
Cable diameter tolerance	[mm]	±0.1
Cable composition	[mm <sup>2</sup> ]	3x0.5
Nominal conductor cross section	[mm <sup>2</sup> ]	0.5
Cable characteristic		Standard
Bending radius, flexible cable installation	[mm]	≥52
Cable test conditions		Test conditions on request

Materials	
Housing	TPE-U(PU)
Housing colour	Black
Screws	Stainless steel
Seals	HNBR
Pin contacts	Tin-plated copper alloy
Cable sheath	PVC
Cable sheath colour	Grey
Insulating sheath	PVC
Note on materials	RoHS-compliant

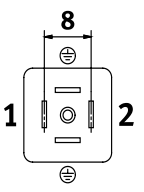


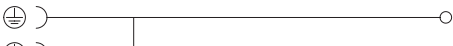

Operating and environmental conditions		
Ambient temperature	[°C]	-20 ... +70
Ambient temperature with flexible cable installation	[°C]	-5 ... +70
Degree of protection		IP65 IP67
Note on degree of protection		In assembled state
Corrosion resistance class CRC <sup>1)</sup>		3
CE marking (see declaration of conformity) <sup>2)</sup>		To EU Low Voltage Directive To EU RoHS Directive

1) Corrosion resistance class CRC 3 to Festo standard FN 940070

High corrosion stress. Outdoor exposure under moderate corrosive conditions. Externally visible parts with primarily functional surface requirements which are in direct contact with a normal industrial environment.

2) Additional information: [www.festo.com/catalogue/...](http://www.festo.com/catalogue/...) → Support/Downloads.

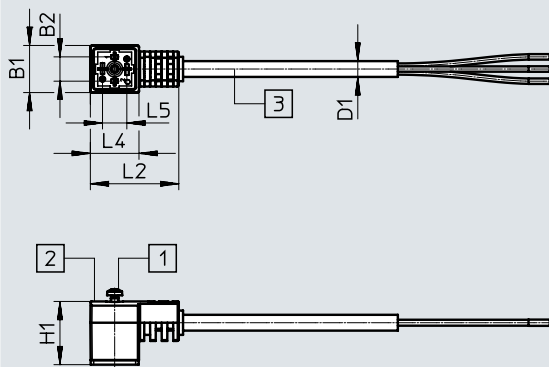
Datasheet

Circuitry (socket/plug view)		Circuitry	Wire colour <sup>1)</sup>	Electrical connection 2
Electrical connection 1	Pin			
	1		BK	Open end
	2		BK	Open end
	GND		PE	Open end
	GND			

1) To IEC 757

Dimensions

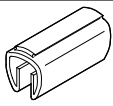
Download CAD data → [www.festo.com](http://www.festo.com)



- [1] Retaining screw M2.5
- [2] LED display field depending on order
- [3] Cable, length 0.5 ... 30 m depending on the order

Type	B1	B2	D1	H1	L2	L4	L5
NEBV-C1SW3-...S9	15.5	8	5.2	20.8	29	16	8

## Ordering data

Ordering data		Cable length	Weight	Part no.	Type
Operating voltage		[m]	[g]		
<b>Socket type C, narrow, 2-pin – open cable end, 2-wire</b>					
24 V DC	<ul style="list-style-type: none"> <li>• Signal status indication</li> <li>• Protective circuit</li> </ul>	2.5	120	8032623	NEBV-C1SW2L-P-K-2.5-N-LE2-S9
		5	230	8032626	NEBV-C1SW2L-P-K-5-N-LE2-S9
		10	440	8032627	NEBV-C1SW2L-P-K-10-N-LE2-S9
<b>Socket type C, narrow, 4-pin – open cable end, 3-wire</b>					
0 ... 230 V AC/DC	–	2.5	125	8032628	NEBV-C1SW3-K-2.5-N-LE3-S9
		5	235	8032629	NEBV-C1SW3-K-5-N-LE3-S9
<b>Ordering data – Accessories</b>				Part no.	Type
	Inscription labels for attaching to a cable with diameter 5 ... 8 mm	11x20 mm		33361	KM-BZ



## Ordering data – Modular product system

Ordering table		Conditions	Code	Enter code
Module no.	<b>8003577</b>			
Connecting cable	Connecting cables for valves		<b>NEBV</b>	NEBV
Connection technology on the left, field device side	Socket type C, narrow design		<b>-C1S</b>	-C1S
Cable outlet on the left	Angled		<b>W</b>	W
Number of pins/wires on the left	2-pin		<b>2</b>	
	3-pin		<b>3</b>	
Display	None	[2]		
	Signal status LED	[1]	<b>L</b>	
Circuitry	None	[2]		
	Integrated protective circuit	[1]	<b>-P</b>	
Cable characteristic	Standard		<b>-K</b>	-K
Cable length [m]	0.5 ... 30		<b>-...</b>	
Cable designation	Without inscription label holder		<b>-N</b>	-N
	Open end		<b>-LE</b>	-LE
Number of pins/wires on the right	2-pin	[1]	<b>2</b>	
	3-pin	[2]	<b>3</b>	
Degree of protection, electrical system	IP65/IP67		<b>-S9</b>	-S9

[1] L, -P, 2 Only with number of pins/wires, left = 2-pin

[2] 3 Only with number of pins/wires, left = 3-pin

# Festo - Your Partner in Automation



**1 Festo Inc.**  
5300 Explorer Drive  
Mississauga, ON L4W 5G4  
Canada

**Festo Customer Interaction Center**  
Tel: 1 877 463 3786  
Fax: 1 877 393 3786  
Email: [customer.service.ca@festo.com](mailto:customer.service.ca@festo.com)

**2 Festo Pneumatic**  
Av. Ceylán 3,  
Col. Tequesquináhuac  
54020 Tlalnepantla,  
Estado de México

**Multinational Contact Center**  
01 800 337 8669  
[ventas.mexico@festo.com](mailto:ventas.mexico@festo.com)

**3 Festo Corporation**  
1377 Motor Parkway  
Suite 310  
Islandia, NY 11749

**Festo Customer Interaction Center**  
1 800 993 3786  
1 800 963 3786  
[customer.service.us@festo.com](mailto:customer.service.us@festo.com)

**4 Regional Service Center**  
7777 Columbia Road  
Mason, OH 45040

Connect with us



[www.festo.com/socialmedia](http://www.festo.com/socialmedia)



[www.festo.com](http://www.festo.com)

Subject to change