

Type codes – Connecting cable with PUR cable sheath

001	Series
NEBV	Connecting cable for valves

002	Product version
	Standard
C	Easy-to-clean design

003	Connection technology left, field device side
A1	Socket type A, EN 175301-803
B2	Socket type B, industry standard, 11 mm
C1S	Socket type C, narrow design
Z4	Socket connection pattern ZC, metric screw
Z3	Socket connection pattern ZC, self-tapping screw
M8	Socket M8x1 A-coded, EN 61076-2-104
M12	Socket M12x1 A-coded, EN 61076-2-101
S1	Sub-D socket
S7	Sub-D HD socket
H1	Socket connection pattern H
Q7	Port pattern Q7 socket
HS	Socket connection pattern S

004	Cable outlet left
	None
G	Straight
W	Angled
WA	Angled 45°

005	Number of pins/wires on the left
2	2
3	3
4	4
8	8
9	9
15	15
25	25
37	37
44	44

006	Display
	None
F	LED signal status, AC
L	LED signal status, DC
N	LED switching state, NPN
P	LED switching state, PNP
U	LED, UC

007	Additional socket functions
	None
HL	Hood for MPA-L
HM	Hood for MPA-S
HS	With seal

008	Circuitry
	None
P	Protective circuit
R	Holding current reduction with integrated protective circuit

009	Cable characteristic
P	Basic
K	Standard
E	Suitable for energy chains
F	Food-safe to standard

010	Cable design
	Standard
M	Alternative material
N	Leads
D	Double cable

011	Cable length [m]
0.1	0.1
0.2	0.2
0.3	0.3
0.5	0.5
0.6	0.6
1	1
2	2
2.5	2.5
3	3
5	5
10	10

012	Cable identification
	With label holder
N	Without label holder

013	Connection technology right, controller side
M8	Plug M8x1 A-coded, EN 61076-2-104
M12	Plug M12x1 A-coded, EN 61076-2-101
Z1	Port pattern ZB plug, self-tapping screw
LE	Open end

014	Plug
	None
G	Straight
W	Angled

015	Number of pins/wires on the right
2	2
3	3
4	4
5	5
10	10
15	15
25	25
26	26
27	27
36	36
37	37
39	39
44	44

016	Degree of protection, electrical system
	Standard
S6	IP40
S1	IP65
S9	IP65/IP67
S10	IP65/IP67/IP69K

Type codes – Connecting cable with PVC cable sheath

001	Series
KMC	Connecting cable for valves, socket type A, EN 175301-803

002	Variant
1	Variant 1

003	Rated operating voltage
24	24 V DC
24DC	24 V DC
230AC	230 V AC

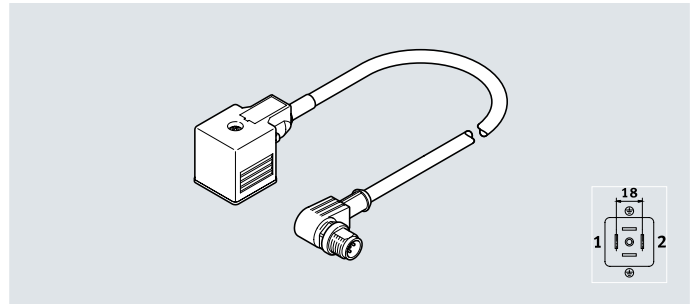
004	Cable length [m]
2.5	2.5
5	5
10	10

005	Display
	No display
LED	LED signal status, DC

Datasheet – Connecting cable with PUR cable sheath

Connecting cable NEBV-A1W3

- Connecting cable
- Pre-assembled at one or both ends
- For connecting valves



General technical data		NEBV-A1W3F-...-LE3		NEBV-A1W3F-...-M12W3r	
Type					
Electrical connection 1					
Function	Field device side				
Connection type	Socket				
Cable outlet	Angled				
Design	Rectangular				
Connection technology	Connection pattern type A based on EN 175301-803				
Number of pins/wires	4				
Assigned pins/wires	4				
Type of mounting	On solenoid valve with M3 central screw				
Electrical connection 2					
Function	Controller side				
Connection type	Cable		Plug		
Cable outlet	–		Angled		
Design	–		Round		
Connection technology	Open end		M12x1, A-coded, to EN 61076-2-101		
Number of pins/wires	3		5		
Assigned pins/wires	3		3		
Type of mounting	–		Screw-type lock with hexagon A/F 13 mm		
Technical data – Electrics					
Nominal operating voltage	24 V AC/DC		110 V AC/DC		230 V AC/DC
Operating voltage range	[V AC]	18 ... 30	0 ... 110		0 ... 230
	[V DC]	18 ... 30	0 ... 110		0 ... 230
Surge resistance	[kV]	0.8	1.5		4
Acceptable current load at 40°C	[A]	4	1		10
Pollution degree		3	3		3
Switching status indication		Yellow LED	–		–
Additional functions		Protective circuit	–		–
Protective earth connection		Available	Available		Available
Technical data – Cable					
Cable composition	[mm ²]	3x 0.75			
Cable diameter	[mm]	5.9			
Cable diameter tolerance	[mm]	±0.3			
Cable characteristic		Standard			
Cable test conditions		Test conditions on request			
Cable designation		Without inscription label holder			

Datasheet – Connecting cable with PUR cable sheath

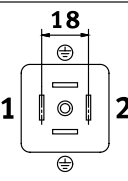
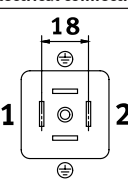
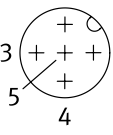
Materials		
Electrical connection 2	Connection technology	
	Open end	M12x1, A-coded, to EN 61076-2-101
Housing	TPE-U(PUR)	TPE-U(PUR)
Housing colour	Black	Black
Union nut	–	Nickel-plated die-cast zinc
Insulating sheath	PP	PP
Cable sheath	TPE-U(PUR)	TPE-U(PUR)
Cable sheath colour	Grey	Grey
Note on materials	RoHS-compliant	
	Contains paint-wetting impairment substances	

Operating and environmental conditions			
Nominal operating voltage	24 V AC/DC	110 V AC/DC	230 V AC/DC
Ambient temperature [°C]	–25 ... +80	–25 ... +80	–25 ... +80
Ambient temperature with flexible cable installation [°C]	–25 ... +80	–25 ... +80	–25 ... +80
CE marking (see declaration of conformity) ¹⁾	–	To EU Low Voltage Directive	To EU Low Voltage Directive
	To EU RoHS Directive	To EU RoHS Directive	To EU RoHS Directive
Certification	c CSA us (OL)	c CSA us (OL)	c CSA us (OL)
Degree of protection	IP67	IP67	IP67
Note on degree of protection	In assembled state	In assembled state	In assembled state
Corrosion resistance class CRC2)	2	2	2

1) Additional information: www.festo.com/catalogue/... → Support/Downloads.

2) Corrosion resistance class CRC 2 to Festo standard FN 940070

Moderate corrosion stress. Indoor applications in which condensation can occur. External visible parts with primarily decorative surface requirements which are in direct contact with a normal industrial environment.

Circuitry (socket/plug view)				
Electrical connection 1	Pin	Wire colour ¹⁾	Pin	Electrical connection 2
Electrical connection 2, connection technology open end				
	1	BK	–	Open end
	2	BK	–	Open end
	GND	GNYE	–	Open end
Electrical connection 2, connection technology M12x1, A-coded to EN 61076-2-101				
	1	BK	3	
	2	BK	4	
	GND	GNYE	5	

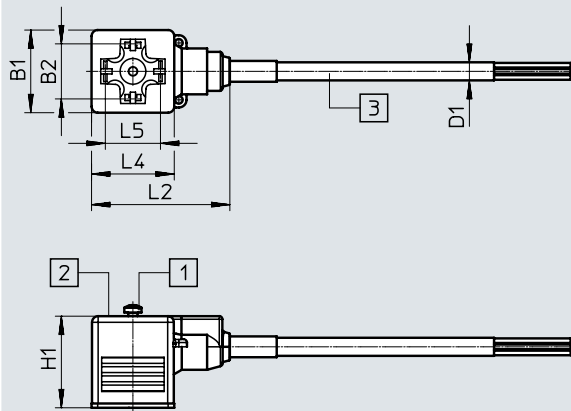
1) To IEC 757

Datasheet – Connecting cable with PUR cable sheath

Dimensions

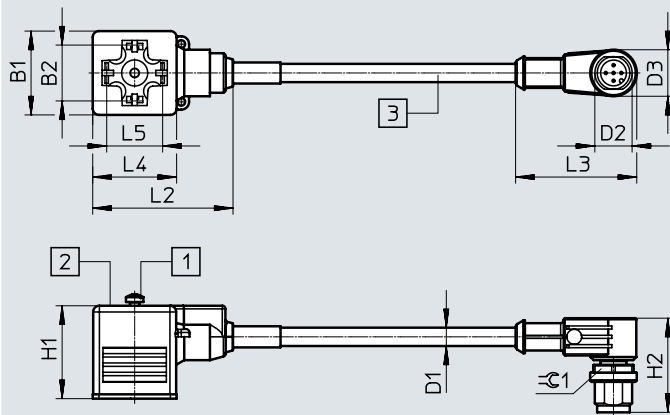
Download CAD data → www.festo.com

Electrical connection 2, connection technology open end



- [1] Retaining screw M3
- [2] Signal status indication for version P
- [3] Cable, length depending on the order

Electrical connection 2, connection technology plug M12x1



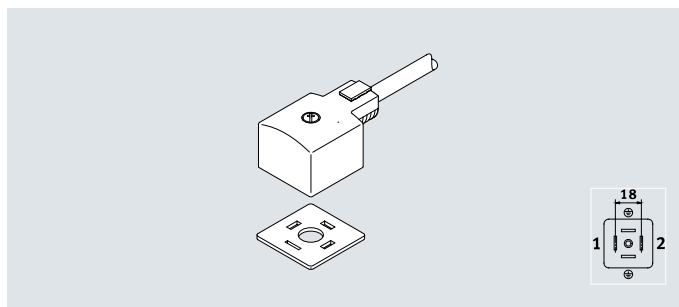
- [1] Retaining screw M3
- [2] Signal status indication for version P
- [3] Cable, length depending on the order

Type	B1	B2	D1 ∅	D2	D3 ∅	H1	H2	L2	L3	L4	L5	⊕G1
NEBV-A1W3-...-LE3	27	18	5.9	-	-	30	-	45	-	27	18	-
NEBV-A1W3-...-M12W3	27	18	5.9	M12x1	15	30	31	45	39	27	18	13

Datasheet – Connecting cable with PVC cable sheath

Connecting cable KMC

- Connecting cable
- Pre-assembled at one end
- For connecting valves



General technical data	
Type of mounting	On solenoid valve with M3 central screw
Mounting position	Any
Electrical connection	Socket
	Type A

Technical data – Electrics		
Nominal operating voltage	24 V DC	230 V AC
Switching status indication	LED	–
Protective earth connection	Available	Available
Reverse polarity protection	For all electrical connections	For all electrical connections

Technical data – Cable		
Cable composition	[mm ²]	3x 0.75
Cable diameter	[mm]	6

Materials	
Housing	PC
Cable sheath	PVC
Pin contacts	Bronze

Operating and environmental conditions		
Nominal operating voltage	24 V DC	230 V AC
Ambient temperature	[°C]	–20 ... +80
CE marking (see declaration of conformity) ¹⁾	–	To EU Low Voltage Directive
	–	To EU RoHS Directive
Degree of protection	IP67	IP67
	To IEC 60529	To IEC 60529
Certification	–	Germanischer Lloyd
Corrosion resistance class CRC ²⁾	1	1

1) Additional information: www.festo.com/catalogue/... → Support/Downloads.

2) Corrosion resistance class CRC 1 to Festo standard FN 940070

Low corrosion stress. Dry internal application or transport and storage protection. Also applies to parts behind covers, in the non-visible interior area, or parts which are covered in the application (e.g. drive trunnions).

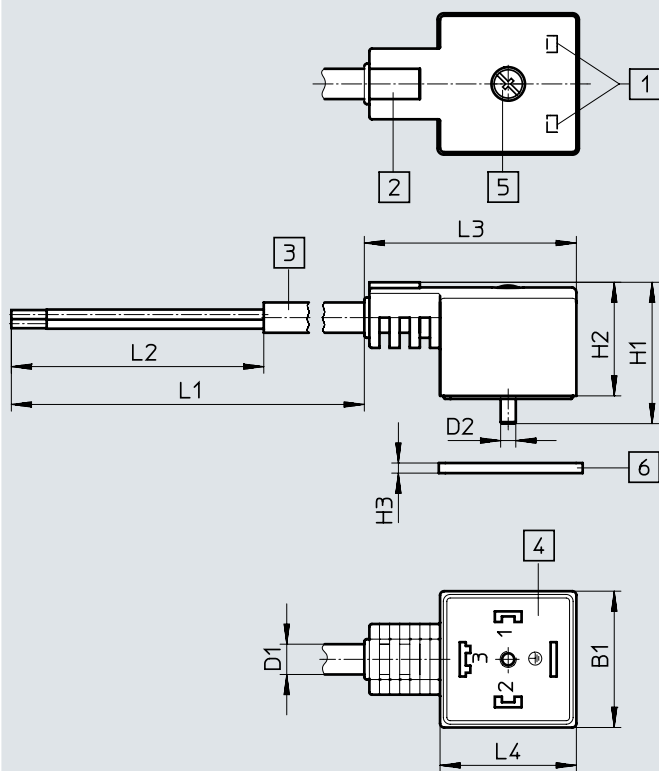
Circuitry (socket/plug view)					
Electrical connection 1	Pin	Wire colour ¹⁾	Pin	Electrical connection 2	
	1	BK	–	Open end	
	2	BK	–	Open end	
	GND	GNYE	–	Open end	

1) To IEC 757

Datasheet – Connecting cable with PVC cable sheath

Dimensions

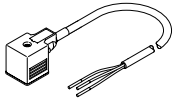
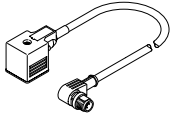
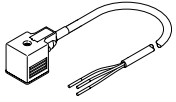
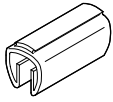
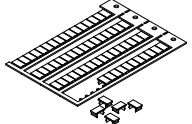
Download CAD data → www.festo.com



- [1] LED illuminated area
- [2] Location for inscription label
IBS-6x10
- [3] 3-wire cable
- [4] Connection arrangement to
EN 175301-803, type A
- [5] Retaining screw M3
- [6] Seal

Type	B1	D1 ∅	D2 ∅	H1	H2	H3	L1	L2	L3	L4
KMC-1-...-2.5	27	6	M3	28	22.5	1.5	2550	50	42	27
KMC-1-...-5							5050			
KMC-1-...-10							10050			

Ordering data

Ordering data – Connecting cable with PUR cable sheath						
	Nominal operating voltage [V]		Cable length [m]	Weight [g]	Part no.	Type
Electrical connection 2, connection technology open end						
	24 AC/DC	<ul style="list-style-type: none"> Switching status indication Protective circuit 	0.6	80	3679776	NEBV-A1W3F-P-K-0.6-N-LE3
	230 AC/DC	–	0.6	80	3579466	NEBV-A1W3-K-0.6-N-LE3
Electrical connection 2, connection technology M12x1, A-coded to EN 61076-2-101						
	24 AC/DC	<ul style="list-style-type: none"> Switching status indication Protective circuit 	0.3	60	3679771	NEBV-A1W3F-P-K-0.3-N-M12W3
			0.6	100	3679772	NEBV-A1W3F-P-K-0.6-N-M12W3
	110 AC/DC	–	0.3	60	3579461	NEBV-A1W3-K-0.3-N-M12W3
			0.6	100	3579462	NEBV-A1W3-K-0.6-N-M12W3
Ordering data – Connecting cable with PVC cable sheath						
	Nominal operating voltage [V]		Cable length [m]	Weight [g]	Part no.	Type
	24 DC	LED	2.5	170	30931	KMC-1-24DC-2.5-LED
			5	320	30933	KMC-1-24DC-5-LED
			10	620	193459	KMC-1-24-10-LED
	230 AC	–	2.5	170	30932	KMC-1-230AC-2.5
			5	320	30934	KMC-1-230AC-5
Ordering data – Accessories						
					Part no.	Type
	Inscription labels for attachment to a cable with diameter 5 ... 8 mm		11x20 mm		33361	KM-BZ
	Inscription labels for connecting cable KMF, 64 per frame		6x10 mm		18576	IBS-6x10

Ordering data – Modular product system

Ordering table		Condi- tions	Code	Enter code
Module no.	8003577			
Connecting cable	Connecting cables for valves		NEBV	NEBV
Connection technology left, field device side	Socket type A, EN 175301-803		-A1	-A1
Cable outlet on the left	Angled		W	W
Number of pins/wires on the left	3-pin		3	3
Display	None			
	Signal status LED		F	
Circuitry	None			
	Integrated protective circuit		-P	
Cable characteristic	Standard		-K	-K
Cable length	[m] 0.3	[1]	-0.3	
	[m] 0.6		-0.6	
Cable designation	Without inscription label holder		-N	-N
Connection technology on the right, controller side	Open end		-LE	
	Plug M12x1, A-coded, EN 61076-2-101		-M12	
Cable outlet on the right	None			
	Angled	[1]	W	
Number of pins/wires on the right	3-pin		3	3

1) 0.3, W Only with connection technology on the right M12

Festo - Your Partner in Automation



1 Festo Inc.
5300 Explorer Drive
Mississauga, ON L4W 5G4
Canada

Festo Customer Interaction Center
Tel: 1 877 463 3786
Fax: 1 877 393 3786
Email: customer.service.ca@festo.com



2 Festo Pneumatic
Av. Ceylán 3,
Col. Tequesquináhuac
54020 Tlalnepantla,
Estado de México

Multinational Contact Center
01 800 337 8669
ventas.mexico@festo.com



3 Festo Corporation
1377 Motor Parkway
Suite 310
Islandia, NY 11749

Festo Customer Interaction Center
1 800 993 3786
1 800 963 3786
customer.service.us@festo.com



4 Regional Service Center
7777 Columbia Road
Mason, OH 45040

Connect with us



www.festo.com/socialmedia



www.festo.com

Subject to change