

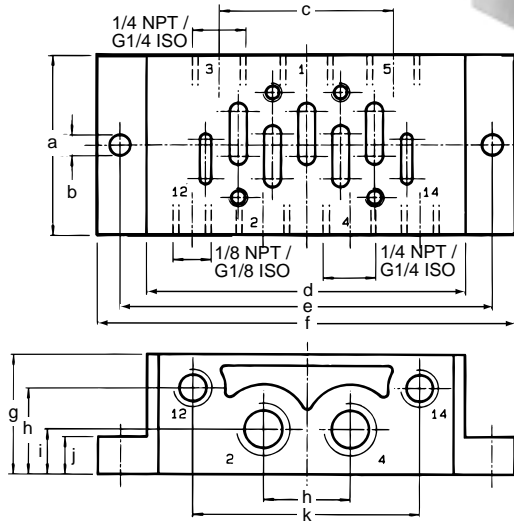
Single Sub-bases

With Mounting Pattern to ISO 5599/I, Table 1, Size 1 and External Dimensions to VDMA 24345.

Single sub-base
Side ported

Type NAS-1/4-1A-ISO
NAS-1/4 NPT-1A

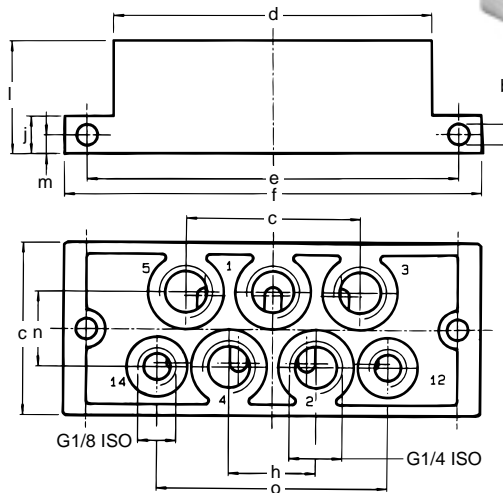
Type NAS-1/4-1A-ISO
NAS-1/4 NPT-1A



Single sub-base
Bottom ported

Type NAU-1/4-1B-ISO

Type NAU-1/4-1B-ISO



Dimensions

| | |
|---|------------------|
| a | 1.89 in / 48 mm |
| b | 0.22 in / 5.5 mm |
| c | 1.81 in / 46 mm |
| d | 3.31 in / 84 mm |
| e | 3.86 in / 98 mm |
| f | 4.33 in / 110 mm |
| g | 1.26 in / 32 mm |
| h | 0.91 in / 23 mm |
| i | 0.47 in / 12 mm |
| j | 0.39 in / 10 mm |
| k | 2.36 in / 60 mm |
| l | 1.18 in / 30 mm |
| m | 0.20 in / 5 mm |
| n | 0.79 in / 20 mm |
| o | 2.40 in / 61 mm |

- 1 (P) = Supply port
- 4, 2 (A, B) = Working or outlet ports
- 5, 3 (R, S) = Exhaust ports
- 12, 14 (Y, Z) = Pilot ports

| Order Number | Metric | 9484 NAS-1/4-1A-ISO | 9485 NAU-1/4-1B-ISO |
|---------------|---------------|----------------------------|---------------------|
| Part No./Type | NPT | 13994 NAS-1/4 NPT-1A | — |
| Mounting | | 2 through-holes in housing | |
| Connection | Working Ports | G 1/4 ISO / 1/4 NPT | G 1/4 ISO |
| | Pilot Ports | G 1/8 ISO / 1/8 NPT | G 1/8 ISO |
| Materials | | Diecast Al, anodized | |
| Weight | | 0.419 lb / 0.190 kg | 0.617 lb / 0.280 kg |

Festo - Your Partner in Automation



1 Festo Inc.
5300 Explorer Drive
Mississauga, ON L4W 5G4
Canada

Festo Customer Interaction Center
Tel: 1 877 463 3786
Fax: 1 877 393 3786
Email: customer.service.ca@festo.com



2 Festo Pneumatic
Av. Ceylán 3,
Col. Tequesquináhuac
54020 Tlalnepantla,
Estado de México

Multinational Contact Center
01 800 337 8669
ventas.mexico@festo.com



3 Festo Corporation
1377 Motor Parkway
Suite 310
Islandia, NY 11749

Festo Customer Interaction Center
1 800 993 3786
1 800 963 3786
customer.service.us@festo.com



4 Regional Service Center
7777 Columbia Road
Mason, OH 45040

Connect with us



www.festo.com/socialmedia



www.festo.com

Subject to change