

Lubricators MS6N-LOE – Inch Series



The proportional lubricator adds a precision adjustable quantity of oil to the compressed air stream. The pressure drop that occurs when air flows through a Venturi nozzle is used to convey oil from the container to the drip cap. From here, the oil drips into the air duct directly behind the proportional valve, where it is atomized. The oil mist component is proportional to the compressed air flow rate.

- Pneumatic connection: 1/4 NPT, 3/8 NPT, 1/2 NPT, 3/4 NPT
- Supply pressure: 15 ... 235 psi
- Flow rate: 88.3 ... 254.2 scfm

| Product Range Overview | | | | | | |
|------------------------|------------------|---------------------------|------------------------------------|--------------------|------------|-----------------------------------|
| Type | Flow rate [scfm] | Pneumatic connections | | Bowl guard | | Reverse flow |
| | | Body thread | Port plate | Plastic bowl guard | Metal bowl | Flow direction from right to left |
| MS6N | | | AG... | R | U | Z |
| LOE | 88.3 ... 254.2 | 1/4 NPT, 3/8 NPT, 1/2 NPT | 1/4 NPT, 3/8 NPT, 1/2 NPT, 3/4 NPT | ■ | ■ | ■ |

Features

- Proportional lubricator with precision oil metering
- Reduces wear on drive units subject to high loading
- High flow rate
- Quick and easy oil top-up even during operation (under pressure)

The following oils are recommended for Festo components:
 Viscosity range to ISO 3448, ISO class VG 32
 32 mm²/s (= cSt) at 40°C

- Festo special oil OFSW-32 → 920
- ARAL Vitam GF 32
- BP Energol HLP 32
- Esso Nuto H 32
- Mobil DTE 24
- Shell Tellus Oil DO 32

Contents

| | |
|----------------------|-------|
| Technical Data | → 908 |
| Dimensional Drawings | → 910 |
| Ordering Data | → 910 |
| Accessories | → 912 |

→ www.festo.com/catalog/ms6n-loe

Lubricators MS6N-LOE – Inch Series

Technical Data

FESTO

ISO Symbol



| General Technical Data | | | |
|---------------------------|---------|------------|---------|
| Pneumatic connection 1, 2 | 1/4 NPT | 3/8 NPT | 1/2 NPT |
| Supply pressure | [psi] | 15 ... 235 | |

| Standard Nominal Flow Rate q _N [scfm] | | | |
|--|---------|---------|---------|
| Pneumatic connection 1, 2 | 1/4 NPT | 3/8 NPT | 1/2 NPT |
| In main flow direction 1 → 2 | 88.3 | 187.1 | 254.2 |

| Operating and Environmental Conditions | |
|--|---|
| Minimum flow for lubricator operation | [scfm] 1.8 |
| Operating medium | Filtered compressed air, filtration grade 40 µm |
| Max. oil capacity | [in ³] 4.58 (with plastic bowl guard) 4.88 (with metal bowl) |
| Bowl guard | Plastic bowl guard Metal bowl |
| Ambient temperature | [°F] 32 ... 140 |
| Temperature of medium | [°F] 32 ... 140 |
| Storage temperature | [°F] 14 ... 140 |
| Assembly position | Vertical ±5° |
| Corrosion resistance | CRC ¹⁾ 2 |

1) Corrosion resistance class 2 according to Festo standard 940 070
Components requiring moderate corrosion resistance. Externally visible parts with primarily decorative surface requirements which are in direct contact with a normal industrial environment or media such as coolants or lubricating agents.

| Weights [lb] | |
|-------------------------|------|
| With plastic bowl guard | 1.20 |
| With metal bowl | 1.62 |

- For spare parts go to: www.festo.com/en/spare_parts_service

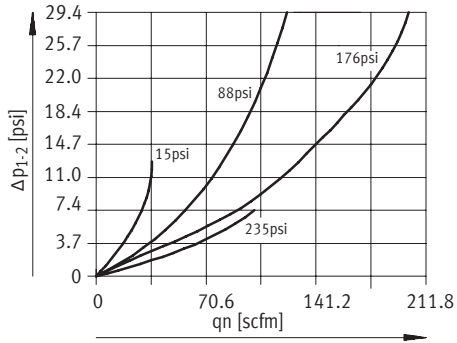
Lubricators MS6N-LOE – Inch Series

Technical Data

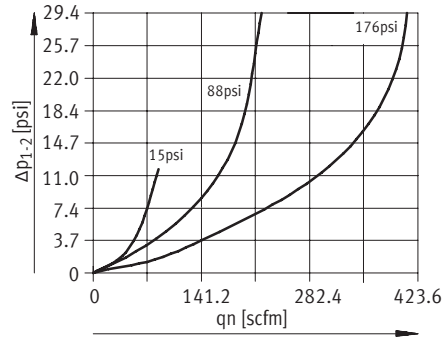


Standard Flow Rate q_n as a Function of the Differential Pressure Δp_{1-2}

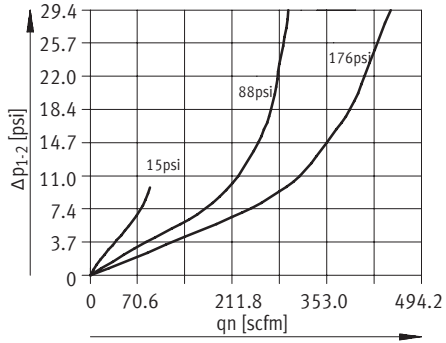
MS6N-LOE-1/4



MS6N-LOE-3/8

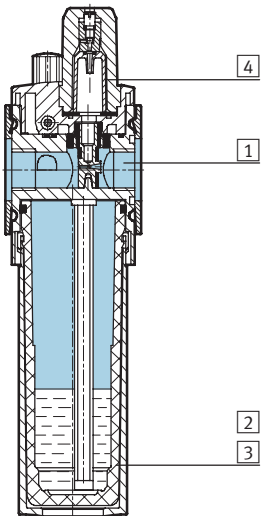


MS6N-LOE-1/2



Materials

Sectional view



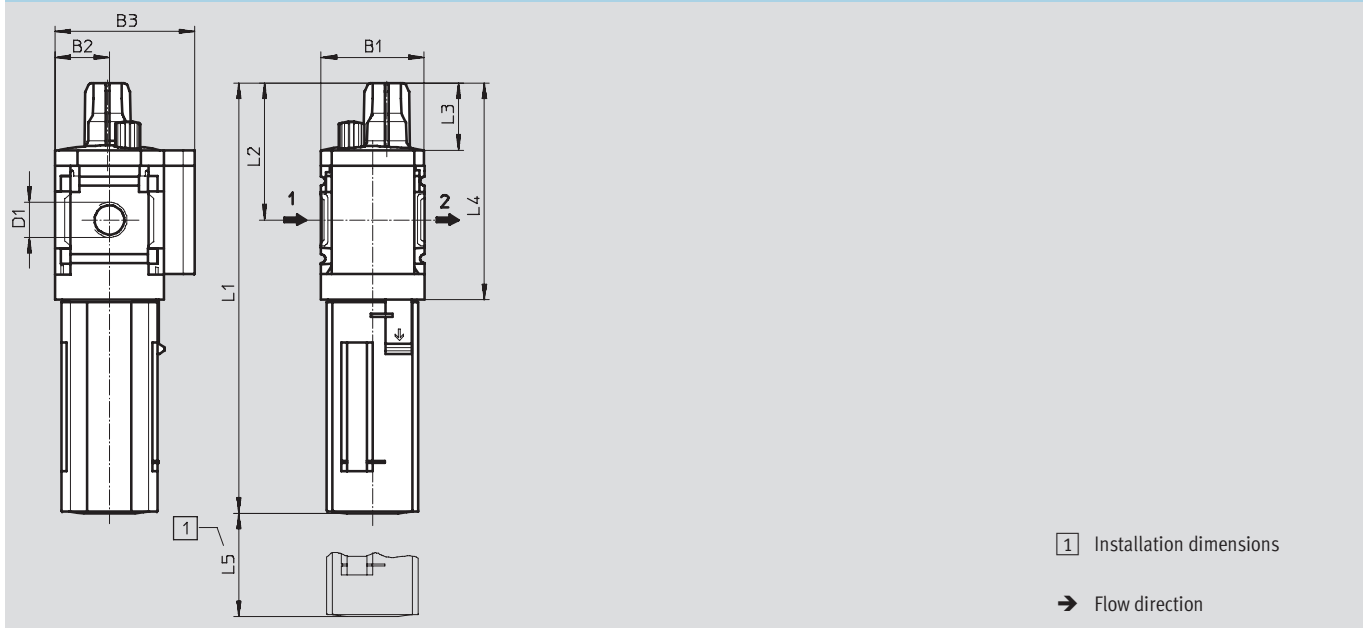
| Lubricators | | |
|-------------|--------------------|-------------------------|
| 1 | Body | Die-cast aluminum |
| 2 | Plastic bowl guard | Polycarbonate/polyamide |
| 3 | Metal bowl | Aluminum |
| | Viewing window | Polyamide |
| 4 | Lubricator dome | Polycarbonate |
| - | Seals | Nitrile rubber |

Lubricators MS6N-LOE – Inch Series

Dimensional Drawings, Ordering Data – Pre-configured Products



Dimensions¹⁾ – Standard Download CAD Data → www.festo.com/us/cad



| Type | B1 | B2 | B3 | D1 | L1 Bowl guard | | L2 | L3 | L4 | L5 |
|--------------|------|------|------|---------|------------------|-------|------|------|------|------|
| | | | | | Plastic | Metal | | | | |
| MS6N-LOE-1/4 | 2.44 | 1.22 | 2.99 | 1/4 NPT | 8.49 | 8.74 | 2.60 | 1.06 | 4.37 | 5.12 |
| MS6N-LOE-3/8 | | | | 3/8 NPT | | | | | | |
| MS6N-LOE-1/2 | | | | 1/2 NPT | | | | | | |

1) Dimensions are in inches, unless otherwise noted.

| Ordering Data | | | | | | |
|---------------|--------------------------------------|----------------|----|------------|----------------|----|
| Connection | Plastic bowl with plastic bowl guard | | | Metal bowl | | |
| | Part No. | Type | LT | Part No. | Type | LT |
| 1/4 NPT | 531710 | MS6N-LOE-1/4-R | 1D | 531716 | MS6N-LOE-1/4-U | Q |
| 3/8 NPT | 531712 | MS6N-LOE-3/8-R | 1D | 531718 | MS6N-LOE-3/8-U | Q |
| 1/2 NPT | 531711 | MS6N-LOE-1/2-R | 1D | 531717 | MS6N-LOE-1/2-U | Q |

LT = Lead time 1D typically ships same day/next day 1W typically ships within 1 week Q request a quote for lead time

Lubricators MS6N-LOE – Inch Series



Ordering Data – Configurable Products

| M Mandatory Data | | | | | | O Options | | |
|----------------------|-----------|----------|----------|--------------|-----------------------------------|------------|------------------|------------------------|
| Part No. | Series | Size | Thread | Function | Connection size | Bowl | Type of mounting | Reverse flow direction |
| 527675 | MS | 6 | N | LOE | 1/4, 3/8, 1/2, AQN, AQP, AQR, AQS | R U | WP WPM WB | Z |
| Order example | | | | | | | | |
| 527675 | MS | 6 | N | - LOE | - AQN | - R | - WP | - Z |

| Ordering Table | | Grid dimension [mm] | 62 | Conditions | Code | Enter code |
|----------------|------------------------|---------------------------------------|----|------------|------|------------|
| M | Part No. | 527675 | | | | |
| | Series | Standard | | | MS | MS |
| | Size | 6 | | | 6 | 6 |
| | Thread | NPT thread | | | N | N |
| | Function | Lubricators | | | -LOE | -LOE |
| | Connection size | Body thread 1/4 NPT | | | -1/4 | |
| | | Body thread 3/8 NPT | | | -3/8 | |
| | | Body thread 1/2 NPT | | | -1/2 | |
| | | Port plate 1/4 NPT (dimensions → 916) | | | -AQN | |
| | | Port plate 3/8 NPT (dimensions → 916) | | | -AQP | |
| | | Port plate 1/2 NPT (dimensions → 916) | | | -AQR | |
| | | Port plate 3/4 NPT (dimensions → 916) | | | -AQS | |
| | Bowl | Plastic bowl with plastic bowl guard | | | -R | |
| | | Metal bowl | | | -U | |
| O | Type of mounting | Mounting bracket (dimensions → 917) | | 1 | -WP | |
| | | Mounting bracket (dimensions → 917) | | 1 | -WPM | |
| | | Mounting bracket (dimensions → 914) | | | -WB | |
| | Reverse flow direction | Flow direction from right to left | | | -Z | |

1 WP, WPM Only with port plate AQN, AQP, AQR or AQS

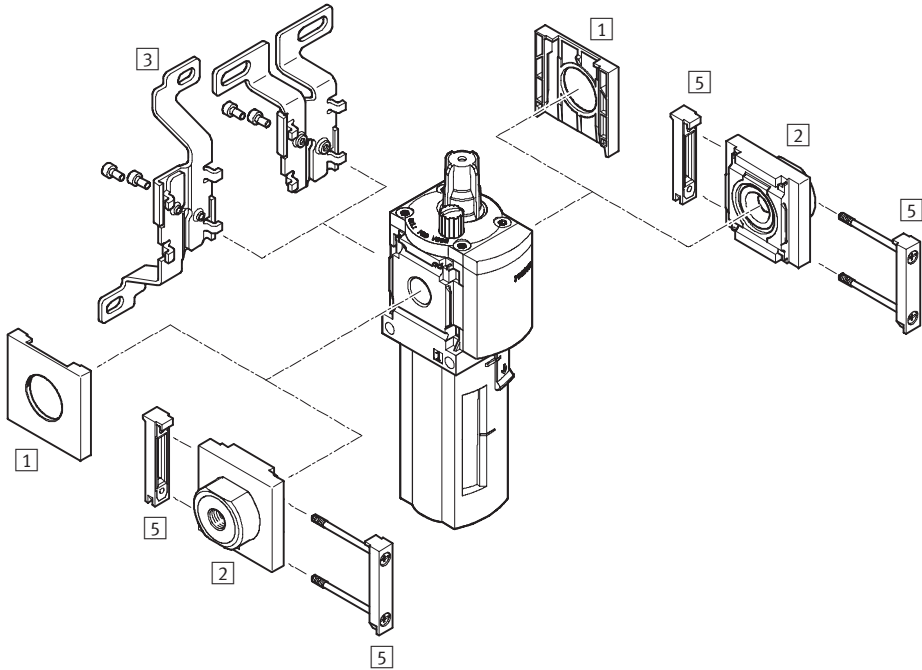
Transfer order code

| | | | | | | | | | | | |
|--------|----|---|---|---|-----|---|--|---|--|---|--|
| 527675 | MS | 6 | N | - | LOE | - | | - | | - | |
|--------|----|---|---|---|-----|---|--|---|--|---|--|

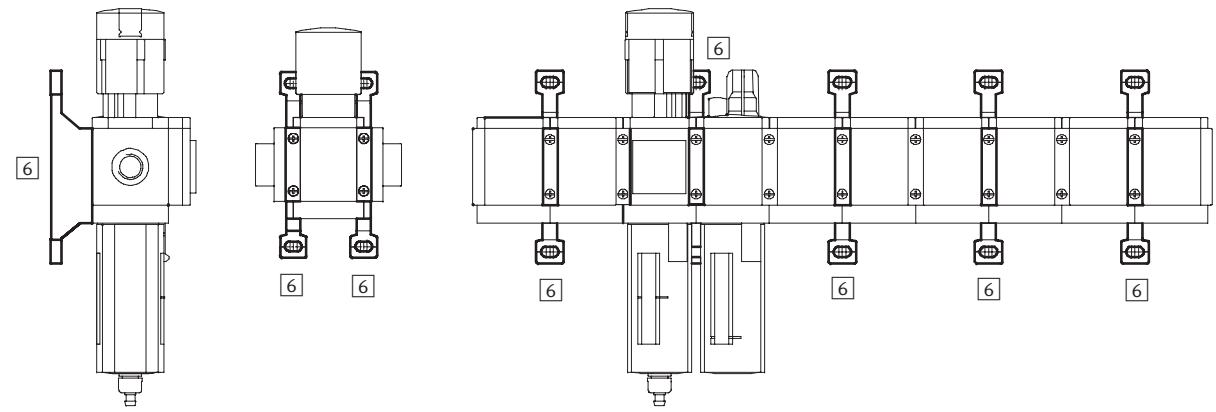
Lubricators MS6N-LOE – Inch Series

Accessories Overview

Mounting Attachments and Accessories



Single unit and combination unit mounting brackets.



Lubricators MS6N-LOE – Inch Series

Accessories Overview



| Mounting Attachments and Accessories | | | | | | |
|--------------------------------------|------------------------------------|--------------------|-----------------|---------------------------|-----------------|--------|
| | | Single unit | | Combination unit → 3.1-49 | | → Page |
| | | without port plate | with port plate | without port plate | with port plate | |
| 1 | Cover cap MS6-END | ■ | - | ■ | - | 915 |
| 2 | Port plate MS6N-AQ... | - | ■ | - | ■ | 916 |
| 3 | Mounting bracket MS6-WB | ■ | ■ | - | - | 914 |
| 5 | Body connector MS6-MV | - | ■ | ■ | ■ | 916 |
| 6 | Mounting bracket MS6-WP/WPB/WPM | - | ■ | ■ | ■ | 917 |

Lubricators MS6N-LOE – Inch Series



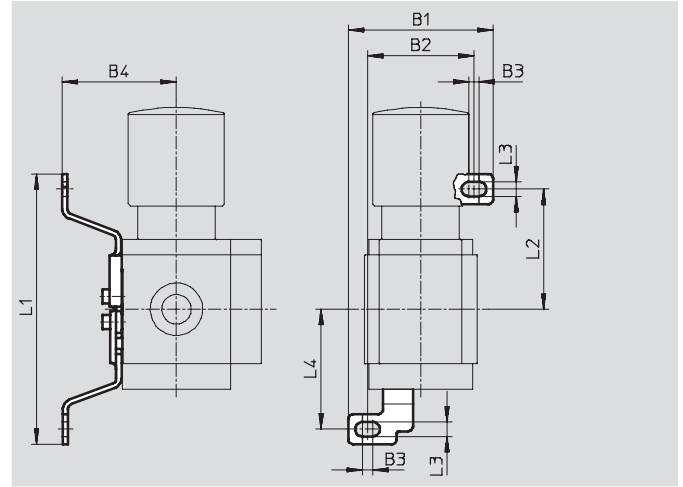
Accessories

3 Mounting bracket MS6-WB

- For wall mounting

Material:

Steel



| Dimensions and Ordering Data | | | | | | | | | | |
|------------------------------|------|------|------|------|------|------|------|-------------|----------|--------|
| B1 | B2 | B3 | B4 | L1 | L2 | L3 | L4 | Weight [lb] | Part No. | Type |
| 3.13 | 2.44 | 0.18 | 2.17 | 6.20 | 2.80 | 0.26 | 2.80 | 0.24 | 532196 | MS6-WB |

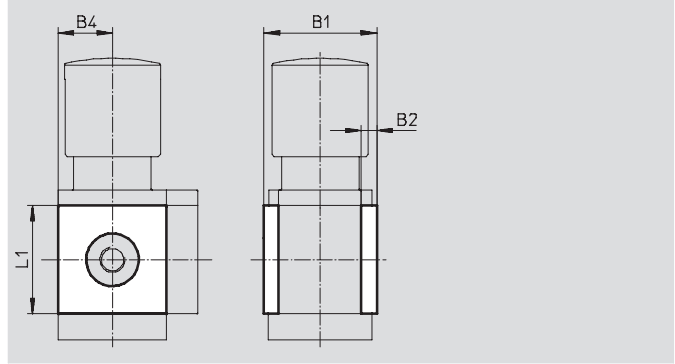
Lubricators MS6N-LOE – Inch Series

Accessories

1 Cover cap MS6-END

- Can be used to cover the body sides of the first and last module if port plates are not used.

Material:
Reinforced polyamide
Free of copper and PTFE



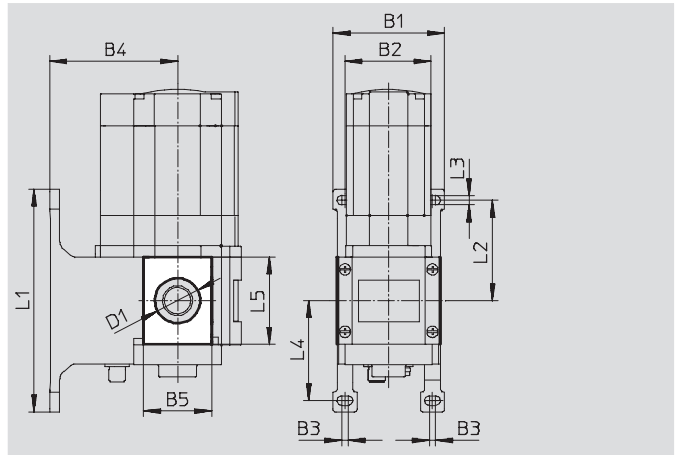
| Dimensions and Ordering Data | | | | | | |
|------------------------------|------|------|------|----------|---------|--|
| B1 | B2 | B4 | L1 | Part No. | Type | |
| 2.64 | 0.31 | 1.22 | 2.44 | 538780 | MS6-END | |

Mounting plate MS6-AEND

(order code: WBE; scope of delivery includes mounting bracket MS6-WPB)

- In combination with mounting bracket MS-WP or MS-WPB for mounting an individual unit on a wall with body thread

Material:
Reinforced polyamide
Conforms to RoHS
Free of copper and PTFE



| Dimensions and Ordering Data | | | | | | | | | | | | | | | |
|------------------------------|------|------|------|------|------|---------|------|------|------|------|------|-------------------|----------------|----------|----------|
| B1 | B2 | B3 | B4 | | B5 | D1 ∅ | L1 | L2 | L3 | L4 | L5 | CRC ¹⁾ | Weight [lb] | Part No. | Type |
| | | | WP | WPB | | | | | | | | | | | |
| 3.11 | 2.44 | 0.18 | 2.13 | 3.56 | 1.91 | 1.26 | 6.22 | 2.80 | 0.26 | 2.80 | 2.44 | 2 | 0.03 | 535408 | MS6-AEND |

1) Corrosion resistance class 2 according to Festo standard 940 070
Components requiring moderate corrosion resistance. Externally visible parts with primarily decorative surface requirements which are in direct contact with a normal industrial environment or media such as coolants or lubricating agents.

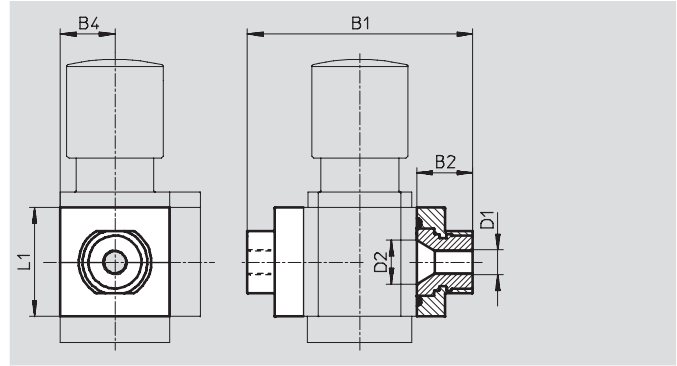
Lubricators MS6N-LOE – Inch Series

Accessories

3 Port plate MS6N-AQ...

- Adapter for pneumatic connection
- MS6-AGE for implementing threaded connection 3/4 NPT

Material:
Aluminum



| Dimensions and Ordering Data | | | | | | | | |
|------------------------------|------|------|---------|------|------|-------------|----------|----------|
| B1 | B2 | B4 | D1 | D2 | L1 | Weight [lb] | Part No. | Type |
| 4.53 | 1.04 | 1.22 | 1/4 NPT | 0.94 | 2.44 | 0.60 | 526076 | MS6N-AQN |
| | | | 3/8 NPT | | | | 526077 | MS6N-AQP |
| | | | 1/2 NPT | | | | 526078 | MS6N-AQR |
| | | | 3/4 NPT | | | | 526079 | MS6N-AQS |

5 Body connector MS...-MV

- For connecting modules

Material:
Stainless steel/polyacetate



| Ordering Data | | |
|---------------|----------|--------|
| Weight [lb] | Part No. | Type |
| 0.11 | 532799 | MS6-MV |

Lubricators MS6N-LOE – Inch Series

Accessories



6 Mounting Bracket MS6-WP...

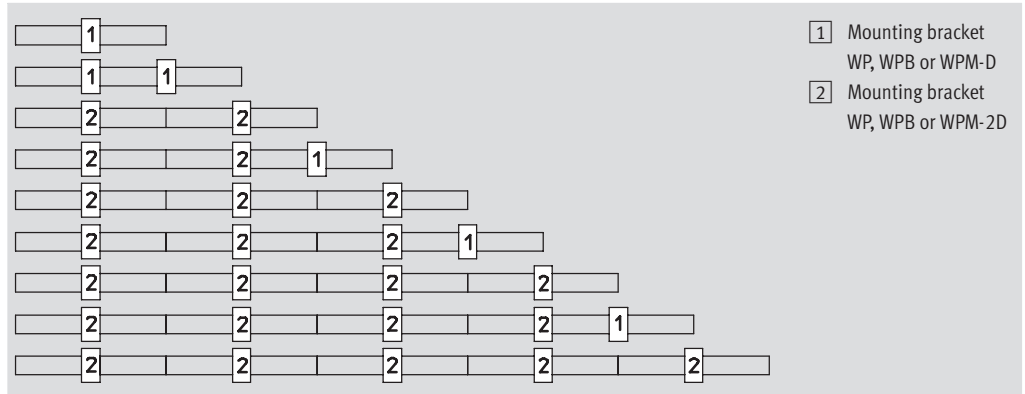
Suggested placement of wall mounting brackets when mounting air preparation combinations

1 unit: 2.44 in with WP, WPB
2.715 in with WPM-D

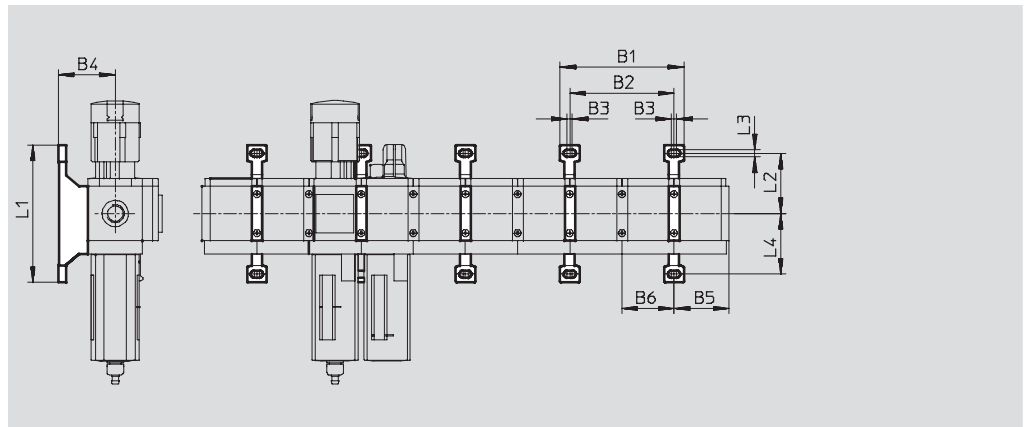
2 units: 4.88 in with WP, WPB
5.43 in with WPM-2D

Number of units

1 2 3 4 5 6 7 8 9 10



Mounting dimensions



| Type | B1 | B2 | B3 | B4 | B5 | B6 | L1 | L2 | L3 | L4 |
|--------------|------|------|------|------|------|------|------|------|------|------|
| MS6-WP | 5.55 | 4.88 | 0.18 | 2.13 | 2.54 | 2.44 | 6.22 | 2.80 | 0.26 | 2.80 |
| MS6-WPB | | | | 3.56 | | | | | | |
| MS6-WPM-...D | 6.61 | 5.43 | 0.69 | 2.13 | 2.58 | 2.72 | 3.88 | 1.63 | | 1.63 |

Lubricators MS6N-LOE – Inch Series

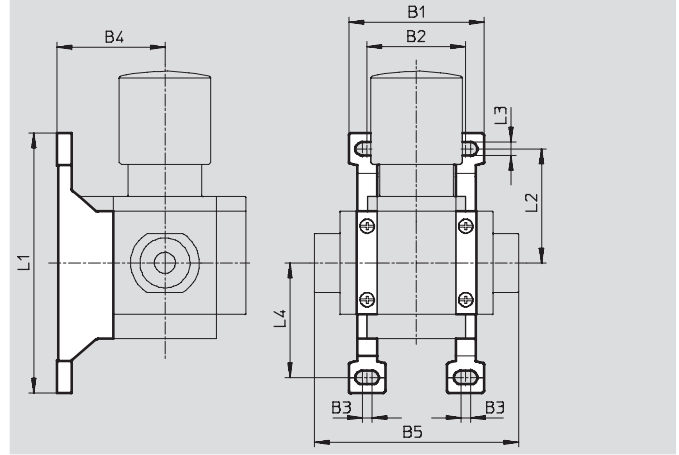


Accessories

Mounting bracket MS6-WP

- To connect the modules for wall mounting
- In combination with a port plate MS-AG... for mounting an individual unit on a wall
- In combination with mounting plate MS-AEND or for mounting an individual unit with body thread on a wall
- For pressure regulator LRB with angled outlet block B... at rear

Material:
Die-cast aluminum

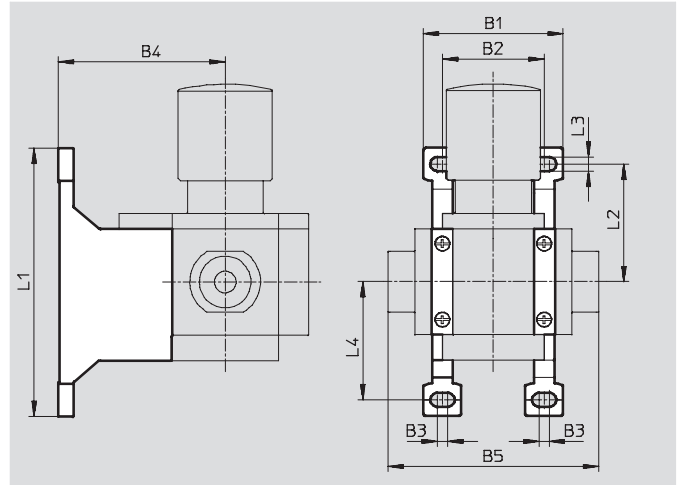


| Dimensions and Ordering Data | | | | | | | | | | | |
|------------------------------|------|------|------|------|------|------|------|------|-------------|----------|--------|
| B1 | B2 | B3 | B4 | B5 | L1 | L2 | L3 | L4 | Weight [lb] | Part No. | Type |
| 3.11 | 2.44 | 0.18 | 2.13 | 4.53 | 6.22 | 2.80 | 0.26 | 2.80 | 0.15 | 532195 | MS6-WP |

Mounting bracket MS6-WPB

- To connect the modules for wall mounting
- In combination with a port plate MS-AG... for mounting an individual unit on a wall
- In combination with mounting plate MS-AEND or for mounting an individual unit with direct thread on a wall
- Provides large wall gap for pressure regulator

Material:
Die-cast aluminum



| Dimensions and Ordering Data | | | | | | | | | | | |
|------------------------------|------|------|------|------|------|------|------|------|-------------|----------|---------|
| B1 | B2 | B3 | B4 | B5 | L1 | L2 | L3 | L4 | Weight [lb] | Part No. | Type |
| 3.11 | 2.44 | 0.18 | 3.56 | 4.53 | 6.22 | 2.80 | 0.26 | 2.80 | 0.23 | 526074 | MS6-WPB |

Lubricators MS6N-LOE – Inch Series

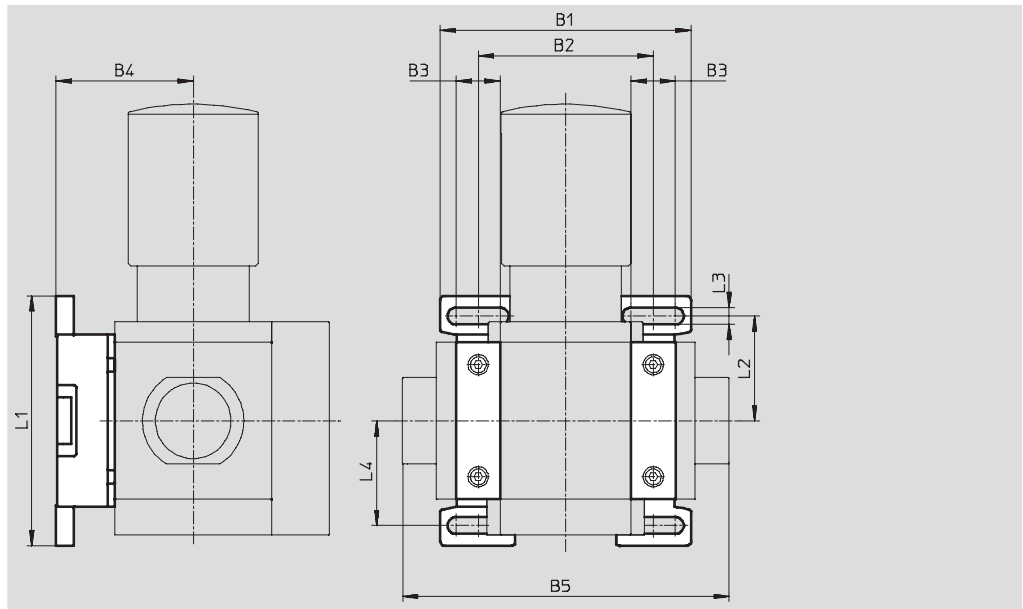
Accessories

Mounting bracket MS6-WPM

- To connect the modules for wall mounting
- In combination with a port plate MS-AG... for mounting an individual unit on a wall
- Speedy attachment and detachment
- For installation of modules with regulating knob pointing downwards

The distance piece D or 2D (designated in the type code) is included in the scope of delivery and ensures the correct clearance

Material:
Die-cast aluminum



| Dimensions and Ordering Data | | | | | | | | | | | | |
|------------------------------|------|------|------|------|------|------|------|------|-----------|-------------|----------|-----------|
| B1 | B2 | B3 | B4 | B5 | L1 | L2 | L3 | L4 | Clearance | Weight [lb] | Part No. | Type |
| 3.90 | 2.72 | 0.69 | 2.13 | 5.08 | 3.88 | 1.63 | 0.26 | 1.63 | 2.44 | 0.29 | 526073 | MS6-WPM-D |
| 6.61 | 5.43 | | | 7.80 | | | | | 4.88 | | | |

Body connector MS6-MVM

- For installation of modules with regulating knob pointing downwards

Material:
Die-cast aluminum



| Ordering Data | | |
|---------------|----------|---------|
| Size | Part No. | Type |
| MS6 | 532801 | MS6-MVM |

Lubricators MS6N-LOE – Inch Series

Accessories



| Ordering Data – Special Oil OFSW | | | | |
|---|-----------------|-------------------|----------|---------|
| | Description | Scope of delivery | Part No. | Type |
|  | for lubricators | 1 liter | 152811 | OFSW-32 |

Festo - Your Partner in Automation



1 Festo Inc.
5300 Explorer Drive
Mississauga, ON L4W 5G4
Canada

Festo Customer Interaction Center
Tel: 1 877 463 3786
Fax: 1 877 393 3786
Email: customer.service.ca@festo.com



2 Festo Pneumatic
Av. Ceylán 3,
Col. Tequesquináhuac
54020 Tlalneantla,
Estado de México

Multinational Contact Center
01 800 337 8669
ventas.mexico@festo.com



3 Festo Corporation
1377 Motor Parkway
Suite 310
Islandia, NY 11749

Festo Customer Interaction Center
1 800 993 3786
1 800 963 3786
customer.service.us@festo.com



4 Regional Service Center
7777 Columbia Road
Mason, OH 45040

Connect with us



www.festo.com/socialmedia



www.festo.com

Subject to change