

# Membrane Air Dryers MS6N-LDM1 – Inch Series



Membrane air dryers remove water vapor from the compressed air and lower the dew point preventing moisture from forming downstream. Pre-filtration with a grade of 0.01 micron is required.

- Pneumatic connection: 1/4 NPT, 3/8 NPT, 1/2 NPT, 3/4 NPT
- Pressure dew point reduction: 20 K
- Supply pressure: 44 ... 184 psi
- Flow rate: 7.1 ... 14.1 scfm

Product Range Overview						
Type	Flow rate [scfm]	Pneumatic connections		Bowl guard		Reverse flow
		Body thread	Port plate	Plastic bowl guard	Metal bowl	Flow direction from right to left
<b>MS6N</b>			<b>AG...</b>	<b>R</b>	<b>U</b>	<b>Z</b>
LDM1	7.1 ... 14.1	1/4 NPT, 3/8 NPT, 1/2 NPT	1/4 NPT, 3/8 NPT, 1/2 NPT, 3/4 NPT	-	■	■

### Features

- Optimum final dryer with excellent operational reliability
- Suitable for use as an individual unit or for integration in existing service unit combinations
- Flow rate-dependent dew point reduction
- Wear-free function requiring no external energy
- 15% purge air flow rate
- Optional purge ring for ducting of purging air

- Typical areas of application:
- Drying, cleaning of precision parts
  - Measuring technology
  - Rinsing of precision glass scales
  - Painting systems
  - Paper and packaging machines

### Contents

- Technical Data → 880
  - Dimensional Drawings → 883
  - Ordering Data → 883
  - Accessories → 885
- [www.festo.com/catalog/ms6n-ldm](http://www.festo.com/catalog/ms6n-ldm)

# Membrane Air Dryers MS6N-LDM1 – Inch Series

Technical Data

ISO Symbol



**Note**

Prefiltration of the compressed air using a micro filter MS-LFM-A, filtration grade 0.01 μm (residual particles < 0.1 μm, residual oil content < 0.1 mg/m<sup>3</sup>) is vital for flawless functioning of the unit.

General Technical Data			
Pneumatic connection 1, 2	1/4 NPT	3/8 NPT	1/2 NPT
Pressure dew point reduction [°F]	68		
Supply pressure [psi]	44 ... 184		

Standard Flow Rate q <sub>n</sub> <sup>1)</sup> [scfm]			
	Cartridge P20	Cartridge P30	Cartridge P40
Input q <sub>n In</sub>	8.3	12.5	16.6
Output q <sub>n Out</sub>	7.1	10.6	14.1
Purge air q <sub>n Purge</sub>	1.2	1.9	2.5

1) Measured at p<sub>1</sub> = 102 psi, θ<sub>pd In</sub> = 77 °F, θ<sub>pd Out</sub> = 41 °F ± 3 °F (θ<sub>pA Out</sub> = -7 °F ± 2 °F), θ<sub>amb</sub> = 77 °F

Operating and Environmental Conditions	
Operating medium	Compressed air, air quality class 1.7.2 to DIN ISO 8573-1
Ambient temperature [°F]	36 ... 122
Temperature of medium [°F]	36 ... 122
Storage temperature [°F]	-4 ... 140
Assembly position	Vertical ±5°
Corrosion resistance class CRC <sup>2)</sup>	2

2) Corrosion resistance class 2 according to Festo standard 940 070  
Components requiring moderate corrosion resistance. Externally visible parts with primarily decorative surface requirements which are in direct contact with a normal industrial environment or media such as coolants or lubricating agents.

Weights [lb]			
	Cartridge P20	Cartridge P30	Cartridge P40
Membrane air dryer	2.10	2.40	2.60

- For spare parts go to: [www.festo.com/en/spare\\_parts\\_service](http://www.festo.com/en/spare_parts_service)

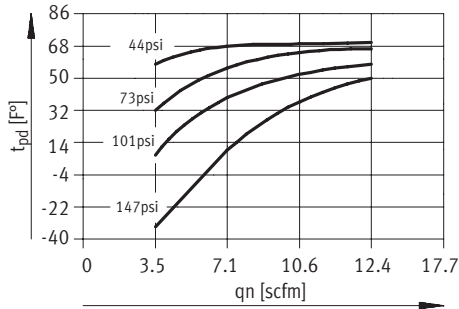
# Membrane Air Dryers MS6N-LDM1 – Inch Series

Technical Data

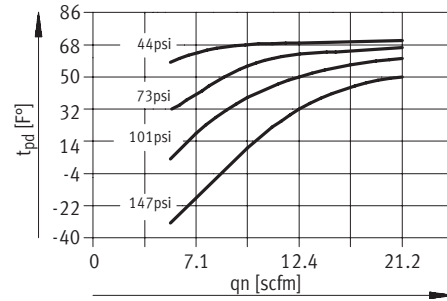


## Pressure Dew Point $t_{pd}$ (Output) as a Function of the Standard Flow Rate at Output $q_n$

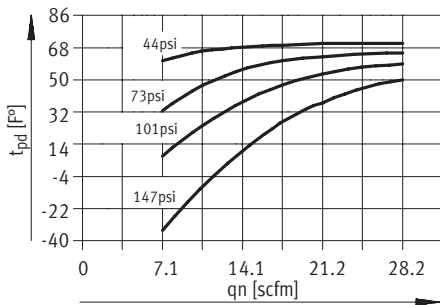
MS6N-LDM1-...-P20



MS6N-LDM1-...-P30

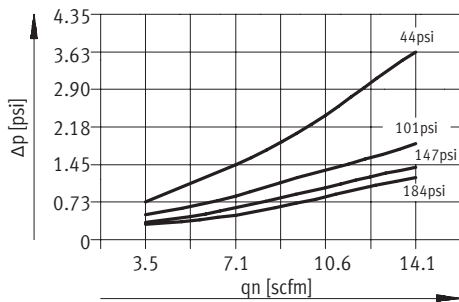


MS6N-LDM1-...-P40

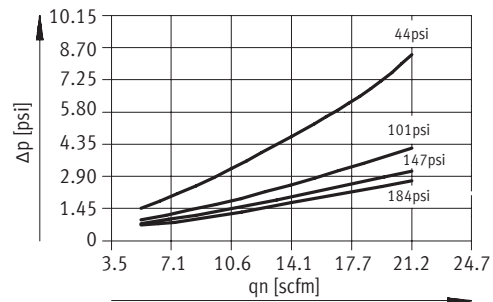


## Differential Pressure $\Delta p$ as a Function of the Standard Flow Rate at Output $q_n$

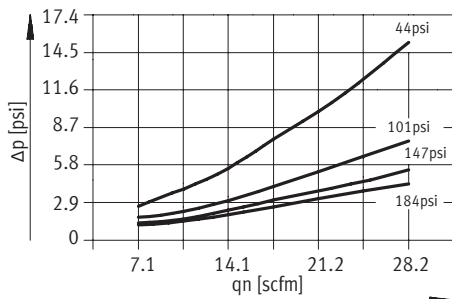
MS6N-LDM1-...-P20



MS6N-LDM1-...-P30



MS6N-LDM1-...-P40

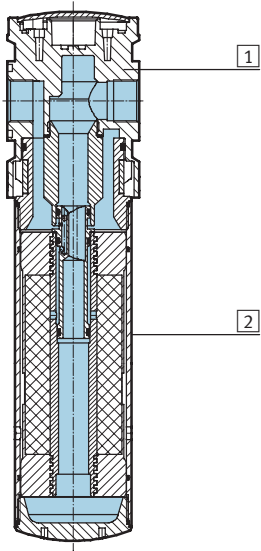


# Membrane Air Dryers MS6N-LDM1 – Inch Series

Technical Data

## Materials

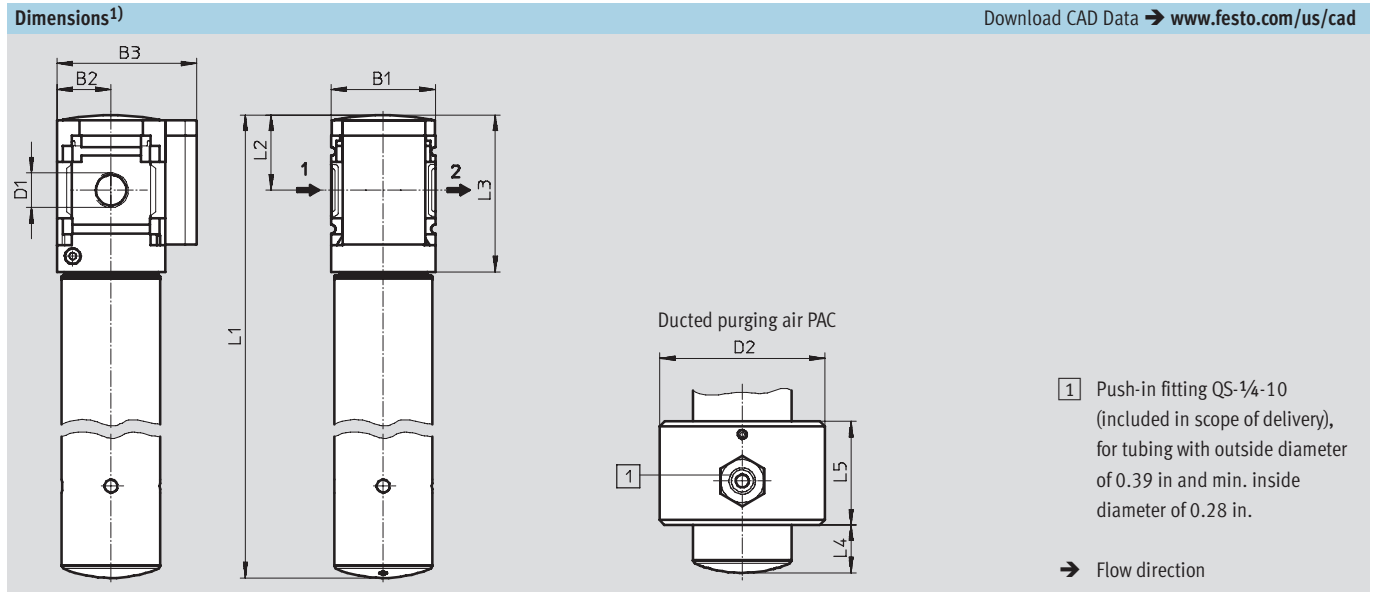
Sectional view



Membrane air dryer		
1	Housing	Die-cast aluminum
2	Bowl	Wrought aluminum alloy
-	Seals	Nitrile rubber

# Membrane Air Dryers MS6N-LDM1 – Inch Series

Dimensional Drawings, Ordering Data – Pre-configured Products



Type	B1	B2	B3	D1	D2	L1	L2	L3	L4	L5
MS6N-LDM1-1/4-P20	2.44	1.22	2.99	1/4 NPT	3.15	13.58	1.65	3.43	1.34	1.57
MS6N-LDM1-1/4-P30						16.34				
MS6N-LDM1-1/4-P40						18.70				
MS6N-LDM1-3/8-P20	2.44	1.22	2.99	3/8 NPT	3.15	13.58	1.65	3.43	1.34	1.57
MS6N-LDM1-3/8-P30						16.34				
MS6N-LDM1-3/8-P40						18.70				
MS6N-LDM1-1/2-P20	2.44	1.22	2.99	1/2 NPT	3.15	13.58	1.65	3.43	1.34	1.57
MS6N-LDM1-1/2-P30						16.34				
MS6N-LDM1-1/2-P40						18.70				

1) Dimensions are in inches, unless otherwise noted.

Ordering Data					
Flow cartridge	Connection	Part No.	Type		LT
P20	1/4 NPT	543652	MS6N-LDM1-1/4-P20		Q
	3/8 NPT	543654	MS6N-LDM1-3/8-P20		Q
	1/2 NPT	543656	MS6N-LDM1-1/2-P20		Q
P40	1/4 NPT	543658	MS6N-LDM1-1/4-P40		Q
	3/8 NPT	543660	MS6N-LDM1-3/8-P40		Q
	1/2 NPT	543662	MS6N-LDM1-1/2-P40		Q

LT = Lead time      1D typically ships same day/next day      1W typically ships within 1 week      Q request a quote for lead time

# Membrane Air Dryers MS6N-LDM1 – Inch Series



Ordering Data – Configurable Products

M Mandatory Data						O Options			
Part No.	Series	Size	Thread	Function	Connection size	Flow cartridge	Purging air	Type of mounting	Reverse flow direction
543639	MS	6	N	LDM1	1/4, 3/8, 1/2, AQN, AQP, AQR, AQS	P20 P30 P40	PAC	WP WPM WB	Z
<b>Order example</b>									
<b>543639</b>	<b>MS</b>	<b>6</b>	<b>N</b>	<b>- LDM1</b>	<b>- AQP</b>	<b>- P20</b>	<b>-</b>	<b>- WP</b>	<b>-</b>

Ordering Table		Grid dimension [mm]	62	Conditions	Code	Enter code
M	Part No.	543639				
	Series	Standard			MS	MS
	Size	6			6	6
	Thread	NPT thread			N	N
	Function	Membrane dryer			-LDM1	-LDM1
	Connection size	Body thread 1/4 NPT			-1/4	
		Body thread 3/8 NPT			-3/8	
		Body thread 1/2 NPT			-1/2	
		Port plate 1/4 NPT (dimensions → 889)			-AQN	
		Port plate 3/8 NPT (dimensions → 889)			-AQP	
		Port plate 1/2 NPT (dimensions → 889)			-AQR	
	Flow cartridge	7.1 scfm			-P20	
		10.6 scfm			-P30	
		14.1 scfm			-P40	
O	Purging air	Ducted purging air			-PAC	
	Type of mounting	Mounting bracket (dimensions → 890)		1	-WP	
		Mounting bracket (dimensions → 890)		1	-WPM	
		Mounting bracket (dimensions → 887)			-WB	
	Reverse flow direction	Flow direction from right to left			-Z	

1 WP, WPM Only with port plate AQN, AQP, AQR or AQS

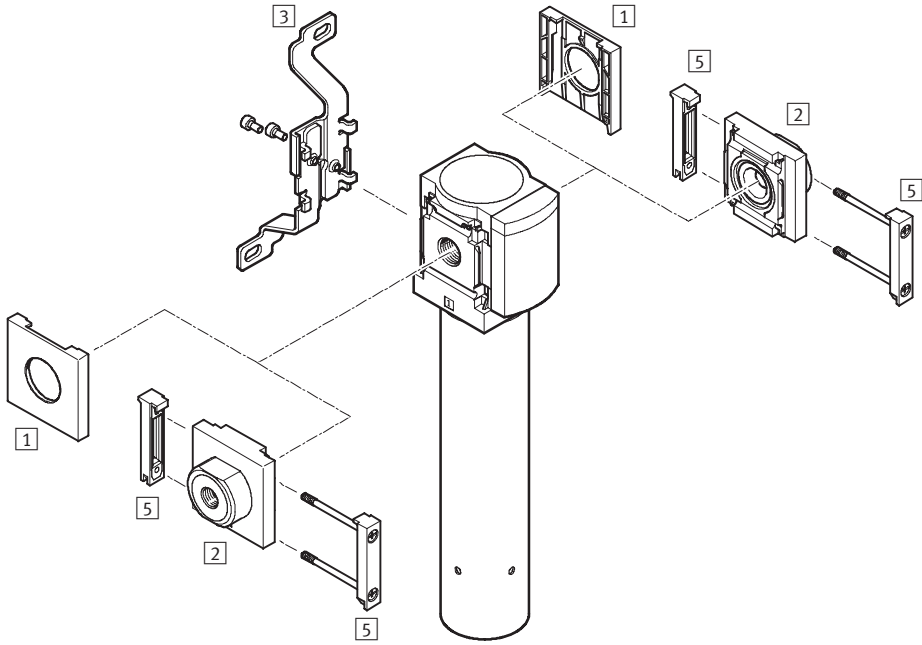
Transfer order code

543639	MS	6	N	-	LDM1	-		-		-		-	
--------	----	---	---	---	------	---	--	---	--	---	--	---	--

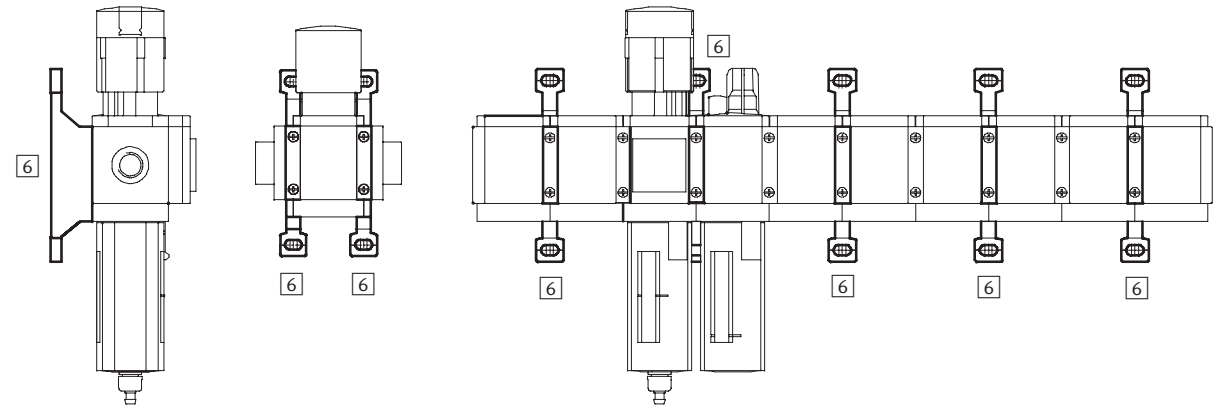
# Membrane Air Dryers MS6N-LDM1 – Inch Series

Accessories Overview

## Mounting Attachments and Accessories



Single unit and combination unit mounting brackets.



# Membrane Air Dryers MS6N-LDM1 – Inch Series

Accessories Overview



Mounting Attachments and Accessories						
		Single unit		Combination unit → 3.1-49		→ Page
		without port plate	with port plate	without port plate	with port plate	
1	Cover cap MS6-END	■	-	■	-	888
2	Port plate MS6N-AQ...	-	■	-	■	889
3	Mounting bracket MS6-WB	■	■	-	-	887
5	Body connector MS6-MV	-	■	■	■	889
6	Mounting bracket MS6-WP/WPB/WPM	-	■	■	■	890



# Membrane Air Dryers MS6N-LDM1 – Inch Series



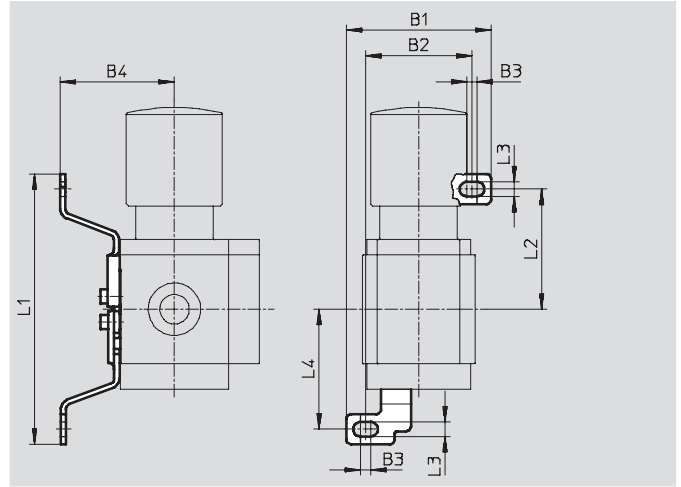
Accessories

## 3 Mounting bracket MS6-WB

- For wall mounting

Material:

Steel



Dimensions and Ordering Data										
B1	B2	B3	B4	L1	L2	L3	L4	Weight [lb]	Part No.	Type
3.13	2.44	0.18	2.17	6.20	2.80	0.26	2.80	0.24	532196	MS6-WB

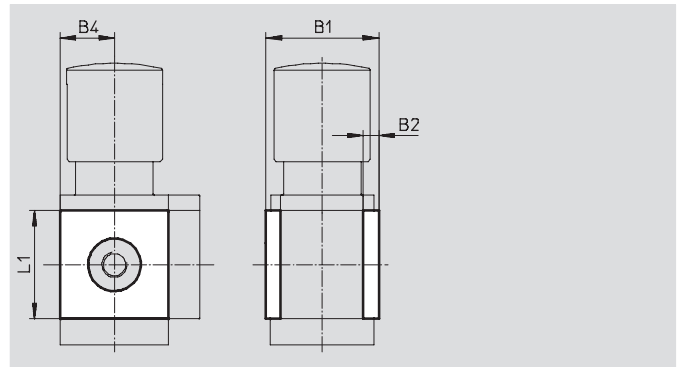
# Membrane Air Dryers MS6N-LDM1 – Inch Series

Accessories

## 1 Cover cap MS6-END

- Can be used to cover the body sides of the first and last module if port plates are not used.

Material:  
Reinforced polyamide  
Free of copper and PTFE



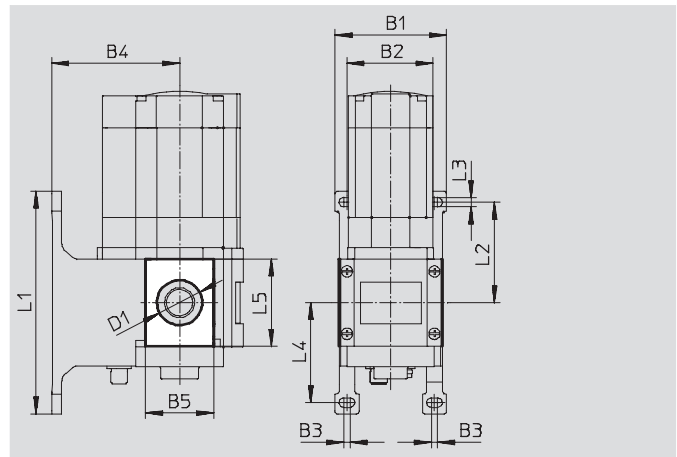
Dimensions and Ordering Data						
B1	B2	B4	L1	Part No.	Type	
2.64	0.31	1.22	2.44	538780	MS6-END	

## Mounting plate MS6-AEND

(order code: WBE; scope of delivery includes mounting bracket MS6-WPB)

- In combination with mounting bracket MS-WP or MS-WPB for mounting an individual unit on a wall with body thread

Material:  
Reinforced polyamide  
Conforms to RoHS  
Free of copper and PTFE



Dimensions and Ordering Data															
B1	B2	B3	B4		B5	D1 ∅	L1	L2	L3	L4	L5	CRC <sup>1)</sup>	Weight [lb]	Part No.	Type
			WP	WPB											
3.11	2.44	0.18	2.13	3.56	1.91	1.26	6.22	2.80	0.26	2.80	2.44	2	0.03	535408	MS6-AEND

1) Corrosion resistance class 2 according to Festo standard 940 070  
Components requiring moderate corrosion resistance. Externally visible parts with primarily decorative surface requirements which are in direct contact with a normal industrial environment or media such as coolants or lubricating agents.

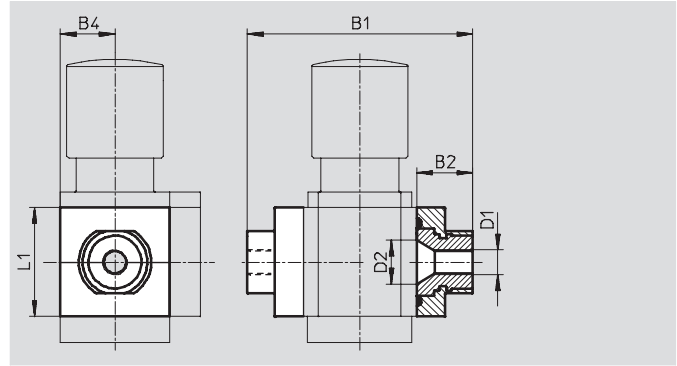
## Membrane Air Dryers MS6N-LDM1 – Inch Series

Accessories

### 2 Port plate MS6N-AQ...

- Adapter for pneumatic connection
- MS6-AGE for implementing threaded connection 3/4 NPT

Material:  
Aluminum



Dimensions and Ordering Data								
B1	B2	B4	D1	D2	L1	Weight [lb]	Part No.	Type
4.53	1.04	1.22	1/4 NPT	0.94	2.44	0.60	526076	MS6N-AQN
			3/8 NPT				526077	MS6N-AQP
			1/2 NPT				526078	MS6N-AQR
			3/4 NPT				526079	MS6N-AQS

### 5 Body connector MS...-MV

- For connecting modules

Material:  
Stainless steel/polyacetate



Ordering Data		
Weight [lb]	Part No.	Type
0.11	532799	MS6-MV

# Membrane Air Dryers MS6N-LDM1 – Inch Series

Accessories



## 6 Mounting Bracket MS6-WP...

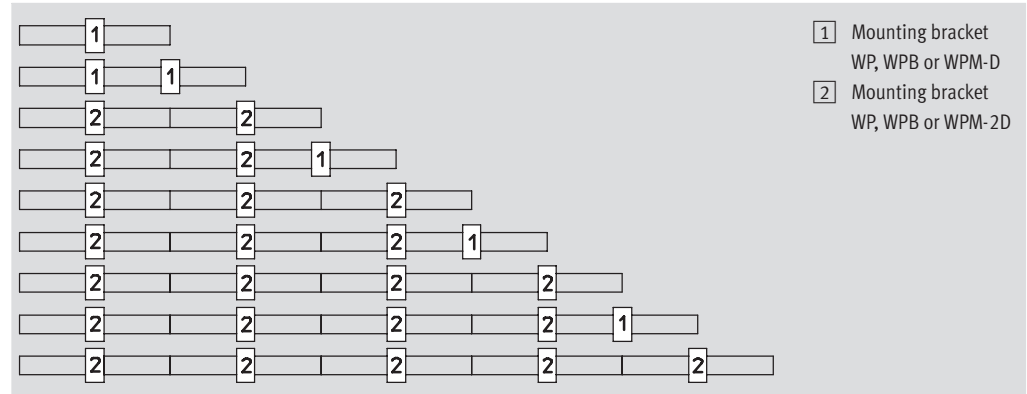
Suggested placement of wall mounting brackets when mounting air preparation combinations

1 unit: 2.44 in with WP, WPB  
2.715 in with WPM-D

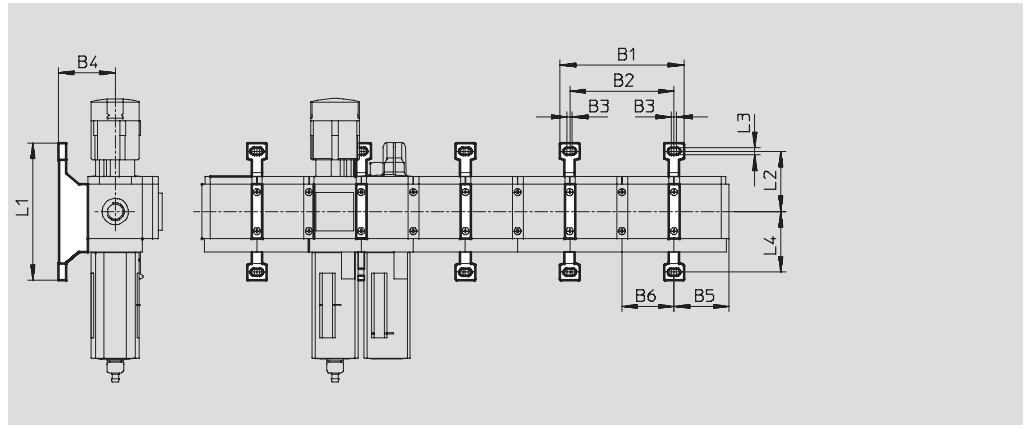
2 units: 4.88 in with WP, WPB  
5.43 in with WPM-2D

Number of units

1 2 3 4 5 6 7 8 9 10



## Mounting dimensions



Type	B1	B2	B3	B4	B5	B6	L1	L2	L3	L4
MS6-WP	5.55	4.88	0.18	2.13	2.54	2.44	6.22	2.80	0.26	2.80
MS6-WPB				3.56						
MS6-WPM-...D	6.61	5.43	0.69	2.13	2.58	2.72	3.88	1.63		1.63

# Membrane Air Dryers MS6N-LDM1 – Inch Series

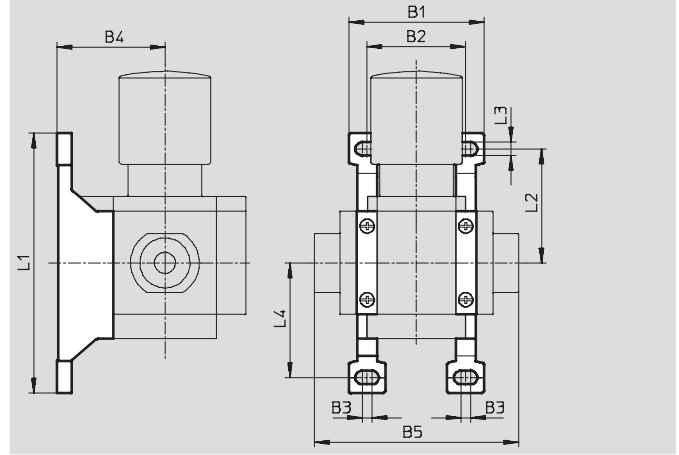


Accessories

## Mounting bracket MS6-WP

- To connect the modules for wall mounting
- In combination with a port plate MS-AG... for mounting an individual unit on a wall
- In combination with mounting plate MS-AEND or for mounting an individual unit with body thread on a wall
- For pressure regulator LRB with angled outlet block B... at rear

Material:  
Die-cast aluminum

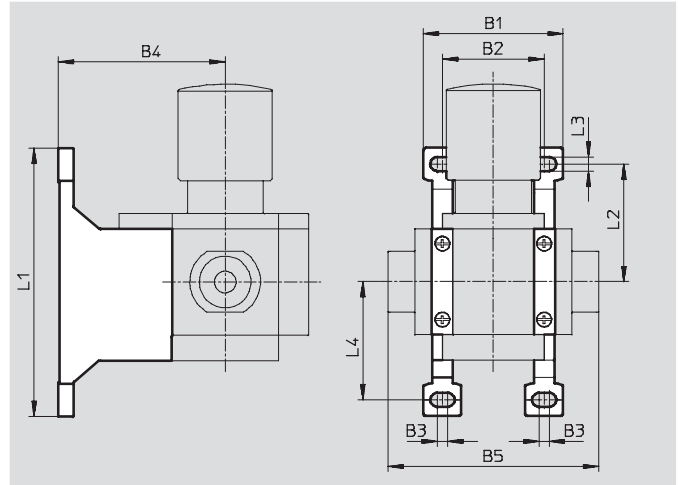


Dimensions and Ordering Data											
B1	B2	B3	B4	B5	L1	L2	L3	L4	Weight [lb]	Part No.	Type
3.11	2.44	0.18	2.13	4.53	6.22	2.80	0.26	2.80	0.15	532195	MS6-WP

## Mounting bracket MS6-WPB

- To connect the modules for wall mounting
- In combination with a port plate MS-AG... for mounting an individual unit on a wall
- In combination with mounting plate MS-AEND or for mounting an individual unit with direct thread on a wall
- Provides large wall gap for pressure regulator

Material:  
Die-cast aluminum



Dimensions and Ordering Data											
B1	B2	B3	B4	B5	L1	L2	L3	L4	Weight [lb]	Part No.	Type
3.11	2.44	0.18	3.56	4.53	6.22	2.80	0.26	2.80	0.23	526074	MS6-WPB

# Membrane Air Dryers MS6N-LDM1 – Inch Series

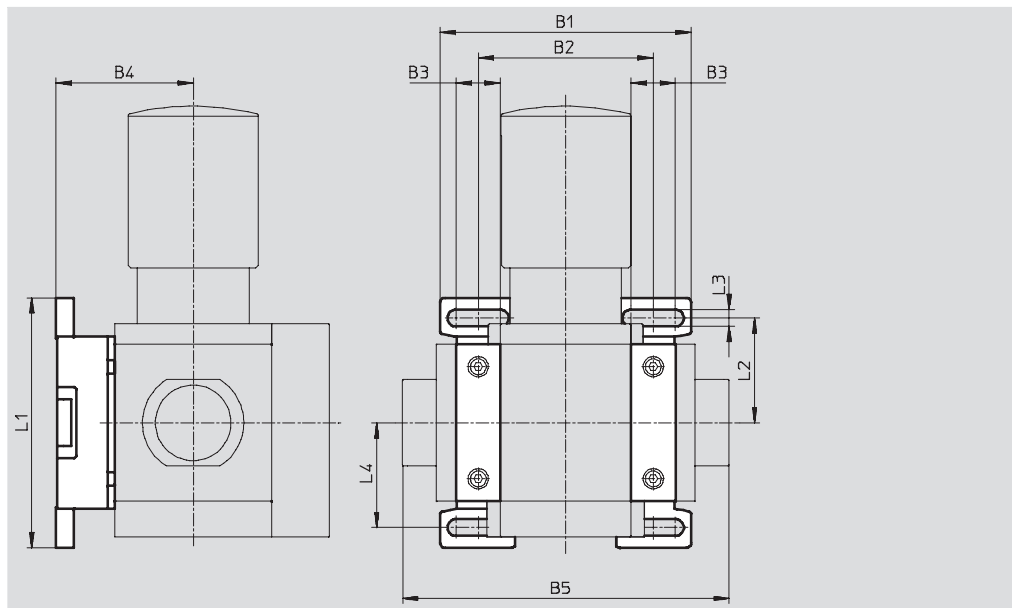
Accessories

## Mounting bracket MS6-WPM

- To connect the modules for wall mounting
- In combination with a port plate MS-AG... for mounting an individual unit on a wall
- Speedy attachment and detachment
- For installation of modules with regulating knob pointing downwards

The distance piece D or 2D (designated in the type code) is included in the scope of delivery and ensures the correct clearance

Material:  
Die-cast aluminum



Dimensions and Ordering Data												
B1	B2	B3	B4	B5	L1	L2	L3	L4	Clearance	Weight [lb]	Part No.	Type
3.90	2.72	0.69	2.13	5.08	3.88	1.63	0.24	1.63	2.44	0.29	526073	MS6-WPM-D
6.61	5.43			7.80					4.88			

## Body connector MS6-MVM

- For installation of modules with regulating knob pointing downwards

Material:  
Die-cast aluminum



Ordering Data		
Size	Part No.	Type
MS6	532801	MS6-MVM

# Festo - Your Partner in Automation



**1 Festo Inc.**  
5300 Explorer Drive  
Mississauga, ON L4W 5G4  
Canada

**Festo Customer Interaction Center**  
Tel: 1 877 463 3786  
Fax: 1 877 393 3786  
Email: [customer.service.ca@festo.com](mailto:customer.service.ca@festo.com)

**2 Festo Pneumatic**  
Av. Ceylán 3,  
Col. Tequesquináhuac  
54020 Tlalneantla,  
Estado de México

**Multinational Contact Center**  
01 800 337 8669  
[ventas.mexico@festo.com](mailto:ventas.mexico@festo.com)

**3 Festo Corporation**  
1377 Motor Parkway  
Suite 310  
Islandia, NY 11749

**Festo Customer Interaction Center**  
1 800 993 3786  
1 800 963 3786  
[customer.service.us@festo.com](mailto:customer.service.us@festo.com)

**4 Regional Service Center**  
7777 Columbia Road  
Mason, OH 45040

Connect with us



[www.festo.com/socialmedia](http://www.festo.com/socialmedia)



[www.festo.com](http://www.festo.com)

Subject to change