

Lubricator MS12-LOE

FESTO



Characteristics

At a glance

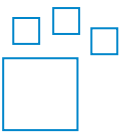
Very compact series for use close to the process directly on the machine

- Grid dimension: 124 mm
- Proportional lubricator with precision oil dosing
- Reduces wear on drive units subject to high loads
- High flow rate performance
- Quick and easy oil top-up even during operation (under pressure)

The following oils are recommended for Festo components (viscosity range to ISO 3448, ISO class VG 32, 32 mm²/s (= cSt) at 40 °C):

- Festo special oil OFSW-32 (see accessories)

Ordering data - modular system



Configurable product

This product and all its product options can be ordered online via the configurator.

Diagrams

[Further information → ms12-loe](#)



The diagrams shown in this document are also available online. These can be used to display precise values.

Function

The proportional lubricator adds a precisely adjustable amount of oil to the compressed air. The pressure drop that occurs when air flows through a Venturi nozzle is used to feed oil from a reservoir to the drip cap. From there, the oil drips into the air duct directly behind the proportional valve, where it is atomised. The amount of oil mist is proportional to the compressed air flow rate.

Pneumatic connection

Depending on the size, different connection types can be selected:

- Individual fittings that are fastened via a female thread
- Connecting plates with female thread

Bowl type

Bowl guard tanks to integrated metal bowl.

Flow direction

Available with flow in the opposite direction.

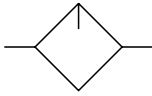
Type code

001	Series
MS	MS series
002	Size
12	Grid dimension 124 mm
003	Function
LOE	Compressed air lubricator
004	Pneumatic connection
AGF	Sub-base G1
AGG	Connecting plate G1 1/4
AGH	Connecting plate G1 1/2
AGI	Sub-base G2
G	Module without connecting thread, without sub-base

005	Bowl type
U	Aluminium
006	Type of mounting
	Without mounting bracket
WP	Mounting bracket basic design
007	Flow direction
	Flow direction from left to right
Z	Flow direction from right to left

Datasheet

General technical data



Pneumatic connection, port 1	Internal
Pneumatic connection, port 2	Internal
Design	Proportional standard mist lubricator
Type of mounting	Either: In-line installation Via mounting bracket With accessories
Mounting position	Vertical +/-5°
Bowl guard	Integrated as metal bowl
Min. flow rate for lubricator function	400 l/min
Max. oil capacity	1,500 cm ³

Standard nominal flow rate qnN

Standard nominal flow rate ¹⁾	20,000 ... 22,000 l/min
--	-------------------------

1) in main flow direction 1->2;

Measured at p₁ = 6 bar and Δp = 1 bar.

Depending on the selected connection plate, must be ordered separately as an accessory → More information www.festo.com/catalogue/ms12-ag

Operating and environmental conditions

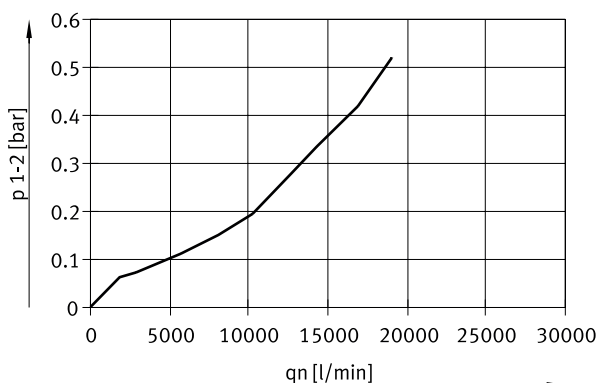
Operating pressure	1 ... 16 bar
Operating medium	Compressed air to ISO 8573-1:2010 [7:4:4]
Ambient temperature	0 ... 60°C
Media temperature	0 ... 60°C
Storage temperature	-10 ... 60°C
Corrosion resistance class CRC ¹⁾	2 - Moderate corrosion stress

1) More information www.festo.com/x/topic/crc

Materials

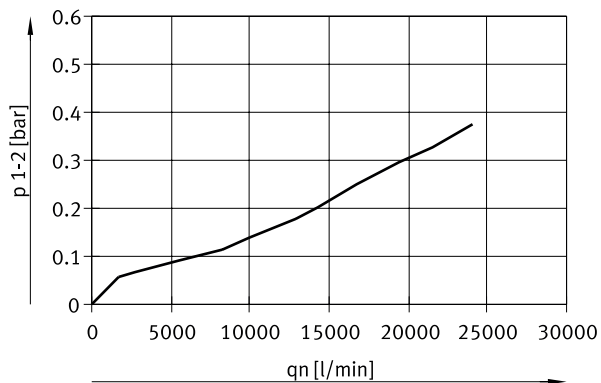
Bowl type	Aluminium
Material housing	Die-cast aluminium
Material bowl	Wrought aluminium alloy
Material seals	NBR
LABS (PWIS) conformity	VDMA24364-B1/B2-L

Standard flow rate qn as a function of differential pressure p1-2 (pneumatic connection G1 with connecting plate MS12-AGF)

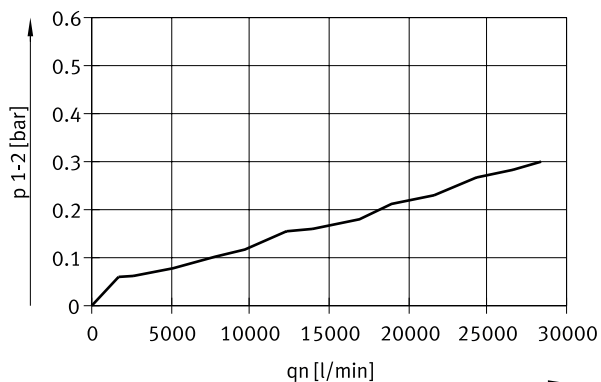


Datasheet

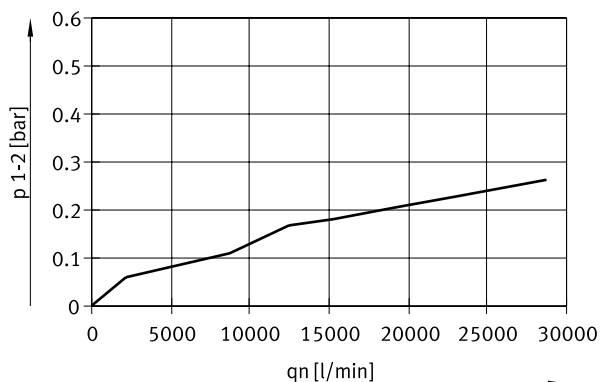
Standard flow rate q_n as a function of differential pressure p_{1-2} (pneumatic connection G1 1/4 with connecting plate MS12-AGG)



Standard flow rate q_n as a function of differential pressure p_{1-2} (pneumatic connection G1 1/2 with connecting plate MS12-AGH)



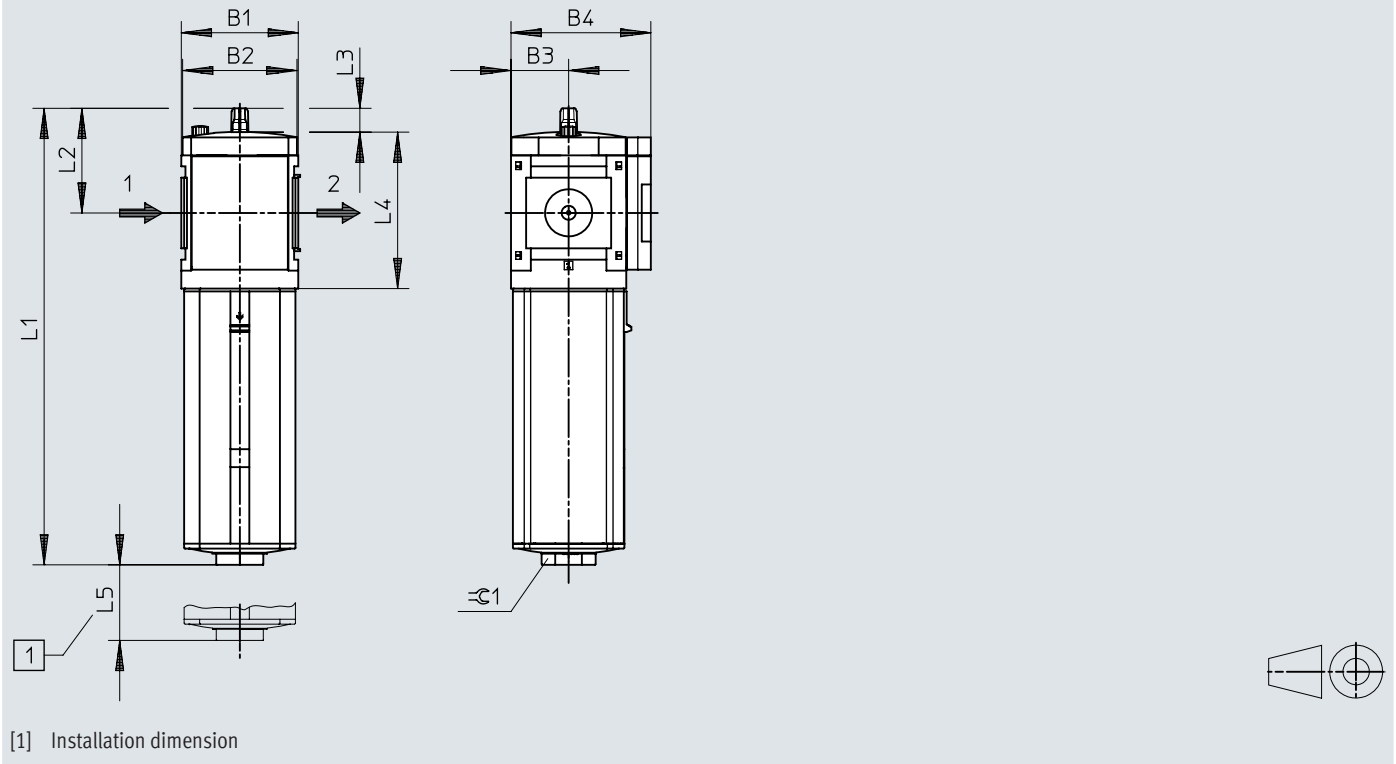
Standard flow rate q_n as a function of differential pressure p_{1-2} (pneumatic connection G2 with connecting plate MS12-AGI)



Dimensions


Dimensions – Basic type

Download CAD data → www.festo.com



	B1	B2	B3	B4	L1	L2	L3	L4	L5	$\varnothing 1$
MS12-LOE	124	122	61	148	483	111	25	166	300	50

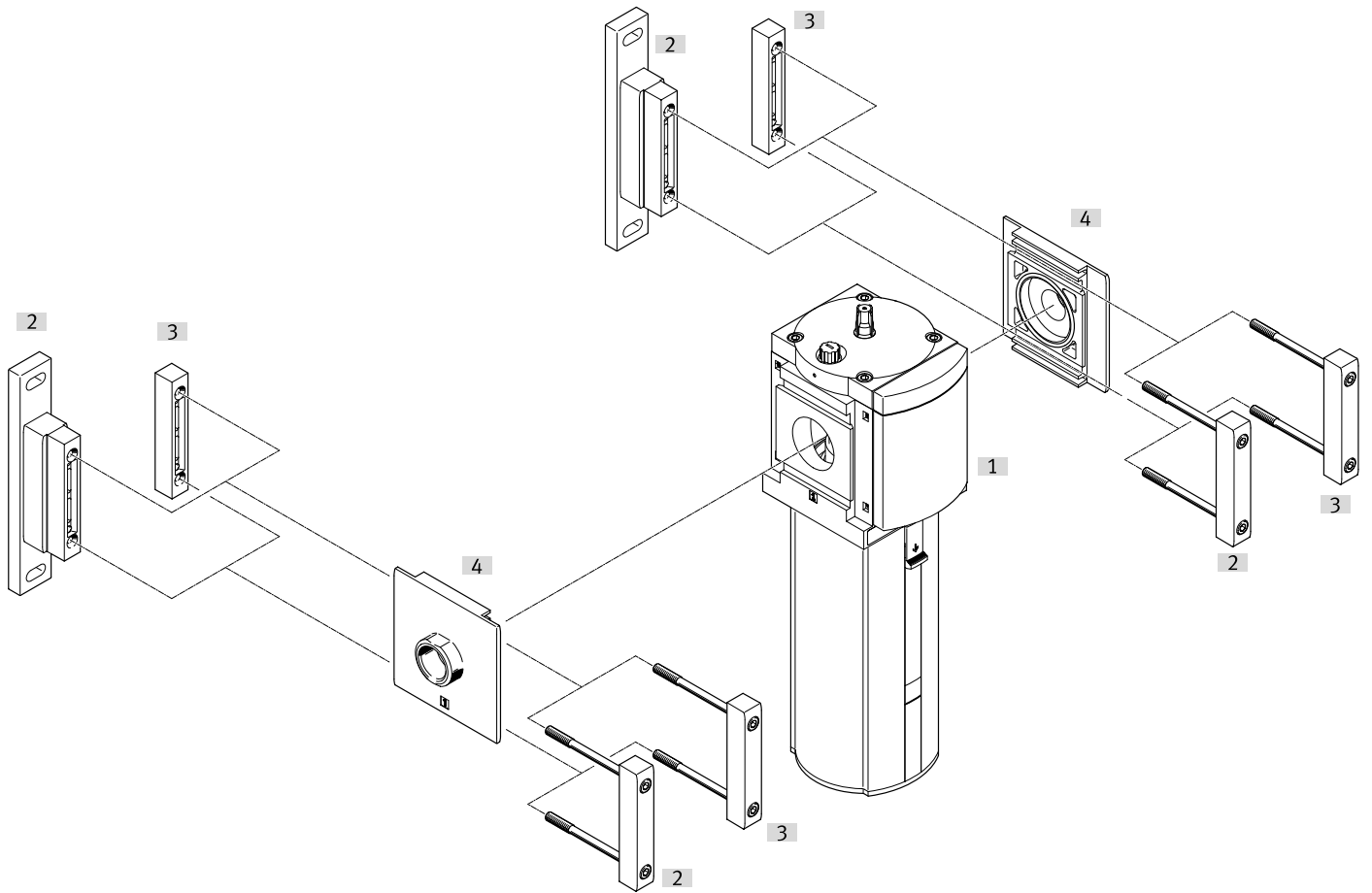
Ordering data

Ordering data						
	Pneumatic connection, port 1	Bowl type	Flow direction	Product weight	Part no.	Type
	Internal	Aluminium	Flow direction from left to right	6,500 g	537156	MS12-LOE-G-U

Ordering data – Modular product system			
	Short type code	Part no.	Type
	MS12	535041	MS12-LOE

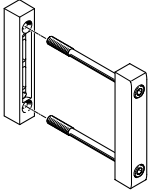
Peripherals

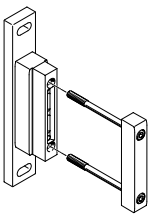
Peripherals overview

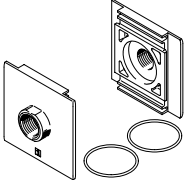


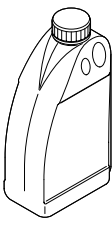
Accessories		→ Page/Internet
Type/order code	Description	
[1] Lubricator MS12-LOE		ms12-loe
[2] Connecting plate SET MS12-AG...	For device combinations	9
[3] Module connector MS12-MV	For device combinations and individual devices with connecting plate	9
[4] Mounting bracket MS12-WP	For individual device	9

Accessories

Module connector MS6-MV1					
	Size	Product weight		Part no.	Type
	12	500 g		537134	MS12-MV

Mounting bracket MS12-WP					
	Size	Product weight		Part no.	Type
	12	700 g		537133	MS12-WP

Connecting plate SET MS12-AG...					
	Size	Pneumatic connection, port 1	Product weight	Part no.	Type
	12	G1	1,300 g	537135	MS12-AGF
		G1 1/4		537136	MS12-AGG
		G1 1/2		537137	MS12-AGH
		G2		537138	MS12-AGI

Special oil OFSW (1 litre)			
	Short type code	Part no.	Type
	OFSW	152811	OFSW-32