

Fine and Micro Filters MS12N-LFM – Inch Series



Fine and micro filters, with 1 micron or 0.01 micron filtration grades, remove submicronic water or oil droplets and dirt particles for exceptionally clean compressed air.

- Pneumatic connection: 1 NPT, 1¼ NPT, 1½ NPT, 2 NPT
- Supply pressure
 - For manual drain: 12 ... 294 psi
 - For fully automatic drain: 29 ... 176 psi
 - For fully automatic drain, electrically actuated: 12 ... 235 psi
- Flow rate: 176.5 ... 268.3 scfm

Product Range Overview														
Type	Pneumatic connections	Filtration grade [µm]				Bowl guard	Bowl drain						Contamination control	Reverse flow
		0.01	1	5	40		Manual	Fully automatic	Electrical 24 V DC M12	Electrical 110 V AC with terminals	Electrical 230 V AC with terminals	Electrical 24 V DC with terminals		
MS12N	AG...	A	B	C	E	U	M	V	E1	E2	E3	E4	DA	Z
LFM	1 NPT, 1¼ NPT, 1½ NPT, 2 NPT	■	■	-	-	■	■	■	■	■	■	■	■	■

Features

- High-performance filter for exceptionally clean compressed air
- Air quality to DIN ISO 8573-1
- Available with differential pressure indicator for optical indication of filter contamination
- LFM-A:
 - ISO class 1 for particles: max. particle density 0.1 mg/m³
 - ISO class 2 for oil aerosols: max. oil concentration 0.1 mg/m³
 - Filter efficiency 99.9999%
- LFM-B:
 - ISO class 2 for particles: max. particle density 1 mg/m³
 - ISO class 3 for oil aerosols: max. oil concentration 1 mg/m³
 - Filter efficiency 99.99%

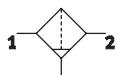
Contents

- Technical Data → 1138
- Dimensional Drawings → 1142
- Ordering Data → 1144
- Accessories → 1146
- www.festo.com/catalog/ms12n-lfm

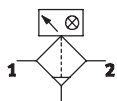
Fine and Micro Filters MS12N-LFM – Inch Series

Technical Data

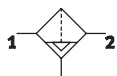
ISO Symbol



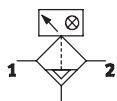
Manual bowl drain
without differential pressure indicator



With differential pressure indicator



Fully automatic bowl drain
without differential pressure indicator



With differential pressure indicator



General Technical Data		1 NPT	1¼ NPT	1½ NPT	2 NPT
Pneumatic connection 1, 2 ¹⁾		1 NPT	1¼ NPT	1½ NPT	2 NPT
Filtration grade	[µm]	0.01 (micro filter LFM-A, air purity class at the output 1.7.2 to DIN ISO 8573-1) 1 (fine filter LFM-B, air purity class at the output 2.7.3 to DIN ISO 8573-1)			
Supply pressure	M [psi]	12 ... 294 (manual drain)			
	V [psi]	29 ... 176 (fully automatic drain)			
	E... [psi]	12 ... 235 (fully automatic drain, electrically actuated)			

1) Dependent on port plate selected, must be ordered separately as an accessory → 1147

Standard Nominal Flow Rate q _N ²⁾ and Standard Flow Rate q _n ²⁾ [scfm]		1 NPT	1¼ NPT	1½ NPT	2 NPT
Pneumatic connection 1, 2		1 NPT	1¼ NPT	1½ NPT	2 NPT
Micro filter LFM-A					
q _N 1 → 2		176.5	211.8	229.5	247.1
q _n min		24.7	24.7	24.7	24.7
q _n max		811.9	811.9	811.9	811.9
Fine filter LFM-B					
q _N 1 → 2		183.6	218.9	264.8	268.3
q _n min		33.5	33.5	33.5	33.5
q _n max		811.9	811.9	811.9	811.9

2) Dependent on port plate selected, must be ordered separately as an accessory → 1147
Measured at p₁ = 88 psi and Δp = 1.0 psi

Fine and Micro Filters MS12N-LFM – Inch Series

Technical Data

Operating and Environmental Conditions			
Bowl drain	Manual M	Fully automatic V	Fully automatic, electrically actuated E...
Operating medium micro filter LFM-A	Compressed air, filtered, unlubricated, filtration grade 1 µm		
Operating medium fine filter LFM-B	Compressed air, filtered, unlubricated, filtration grade 5 µm		
Max. condensate volume [in ³]	24.40		
Bowl guard	Metal bowl		
Ambient temperature [°F]	14 ... 140	41 ... 140	34 ... 140
Temperature of medium [°F]	14 ... 140	41 ... 140	34 ... 140
Storage temperature [°F]	14 ... 140	14 ... 140	34 ... 140
Assembly position	Vertical ±5°		
Corrosion resistance CRC ¹⁾	2		

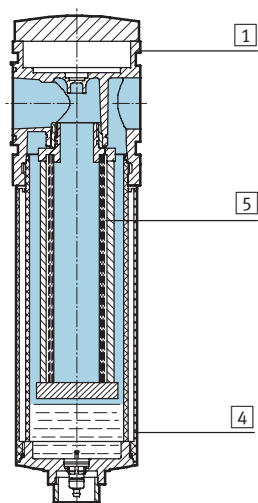
1) Corrosion resistance class 2 according to Festo standard 940 070
 Components requiring moderate corrosion resistance. Externally visible parts with primarily decorative surface requirements which are in direct contact with a normal industrial environment or media such as coolants or lubricating agents.

Weights [lb]	
With metal bowl	14.00
With metal bowl and fully automatic, electrically actuated bowl drain	15.40

- Filter cartridges → 1149
- For spare parts go to: www.festo.com/en/spare_parts_service

Materials

Sectional view



Fine and micro filter		
1	Body	Die-cast aluminum
4	Metal bowl	Wrought aluminum alloy
5	Filter element	Borosilicate mesh
-	Seals	Nitrile rubber

Fine and Micro Filters MS12N-LFM – Inch Series

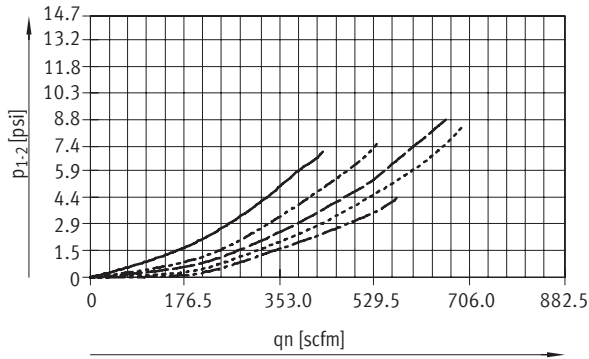
Technical Data



Standard Flow Rate q_n as a Function of the Differential Pressure p_{1-2}

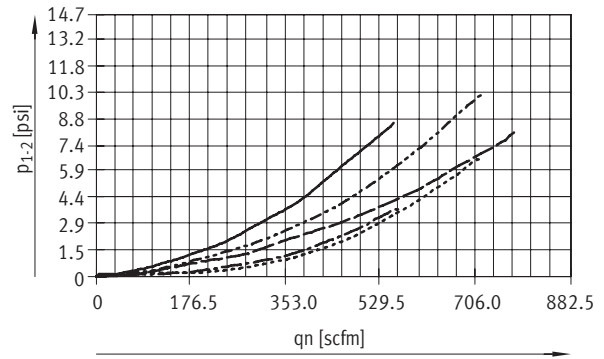
Filtration grade 0.01 μm

With port plate MS12-AGF, Pneumatic connection 1 NPT



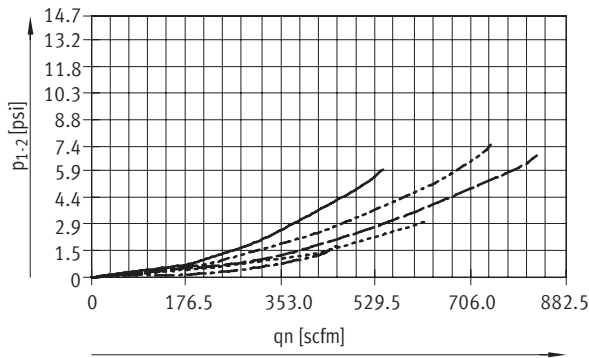
Filtration grade 0.01 μm

With port plate MS12-AGG, Pneumatic connection 1 1/4 NPT



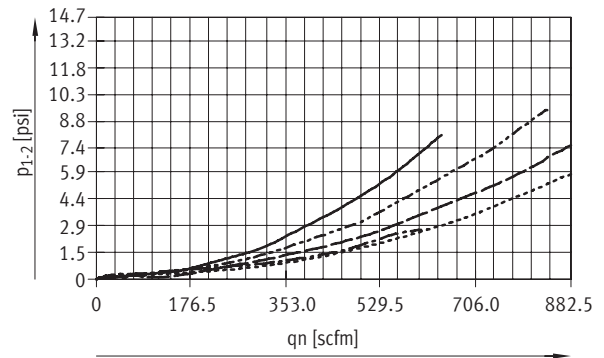
Filtration grade 0.01 μm

With port plate MS12-AGH, Pneumatic connection 1 1/2 NPT



Filtration grade 0.01 μm

With port plate MS12-AGI, Pneumatic connection 2 NPT



- p1: 59 psi
- - - p1: 88 psi
- · - p1: 118 psi
- · · p1: 147 psi
- - - p1: 176 psi

Fine and Micro Filters MS12N-LFM – Inch Series

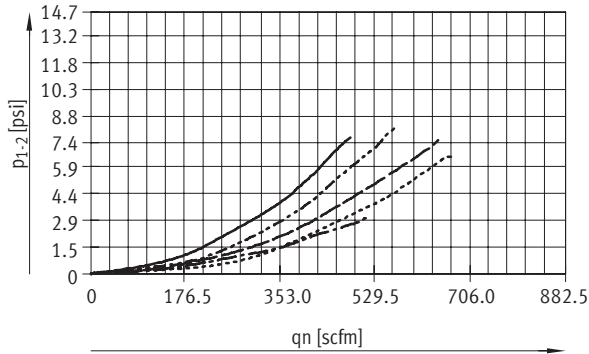
Technical Data



Standard Flow Rate q_n as a Function of the Differential Pressure p_{1-2}

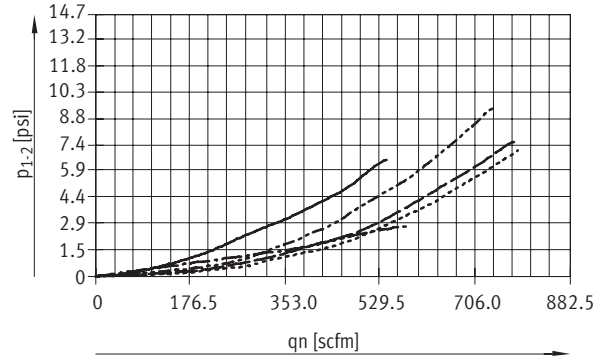
Filtration grade $1\ \mu\text{m}$

With port plate MS12-AGF, Pneumatic connection 1 NPT



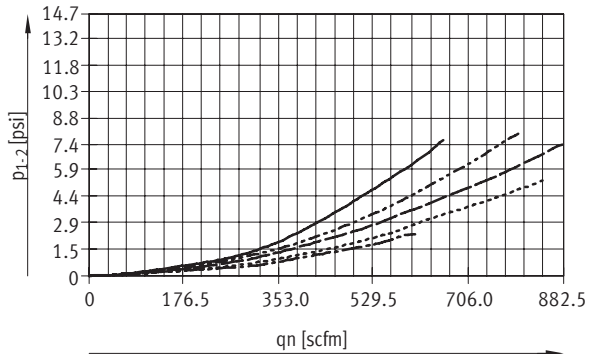
Filtration grade $1\ \mu\text{m}$

With port plate MS12-AGG, Pneumatic connection $1\frac{1}{4}$ NPT



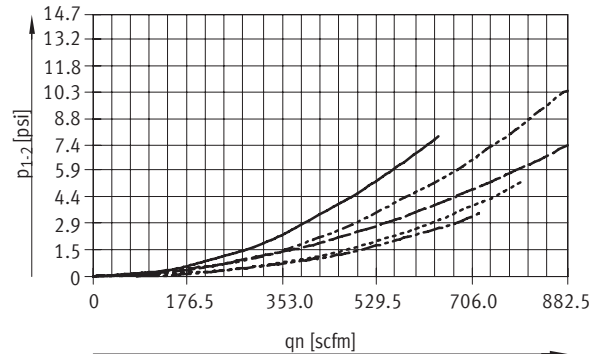
Filtration grade $1\ \mu\text{m}$

With port plate MS12-AGH, Pneumatic connection $1\frac{1}{2}$ NPT



Filtration grade $1\ \mu\text{m}$

With port plate MS12-AGI, Pneumatic connection 2 NPT



- p1: 59 psi
- - - p1: 88 psi
- · - p1: 118 psi
- · · p1: 147 psi
- - - - p1: 176 psi

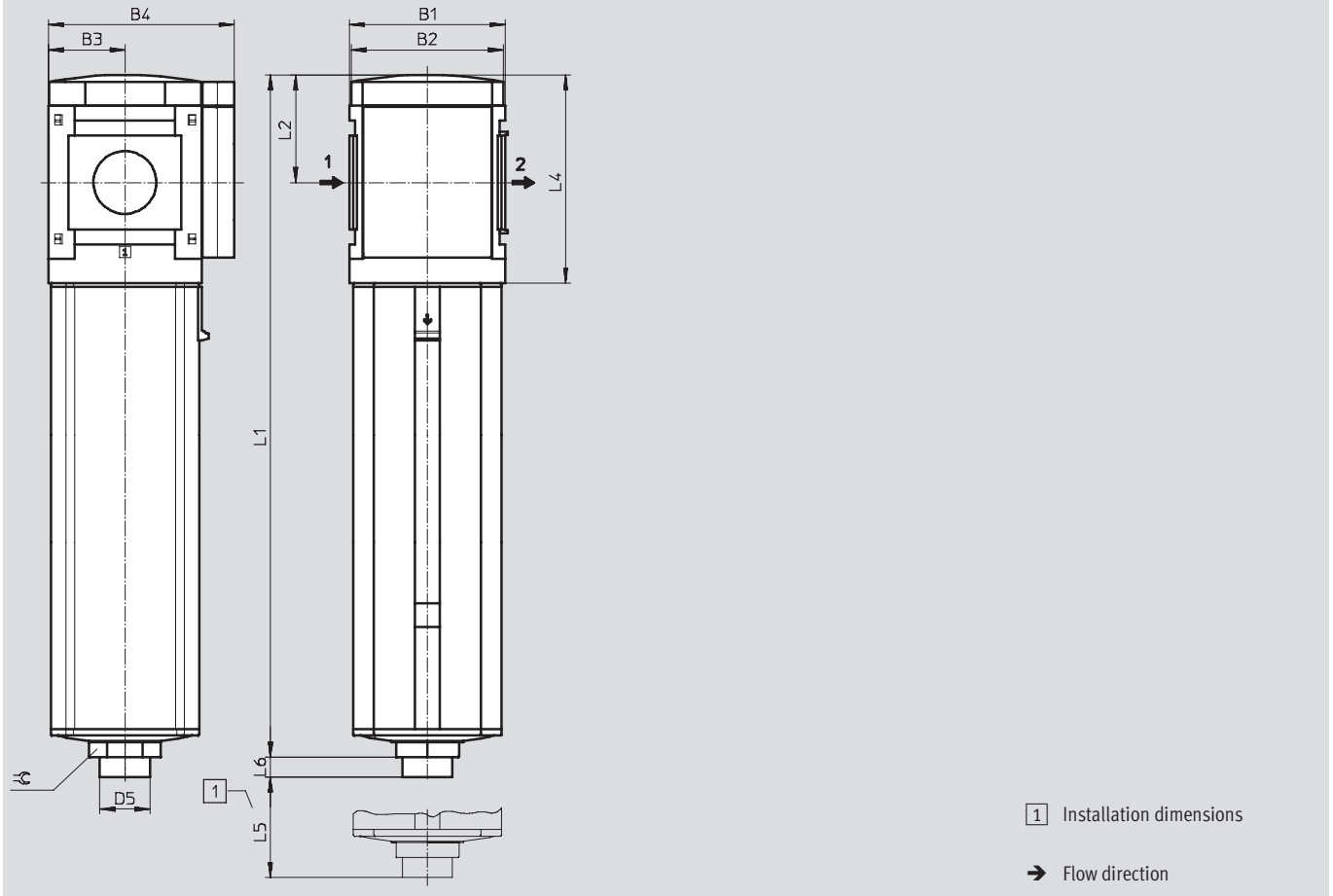
Fine and Micro Filters MS12N-LFM – Inch Series

Dimensional Drawings



Dimensions¹⁾ – Standard

Download CAD Data → www.festo.com/us/cad



B1	B2	B3	B4	D5 ∅	L1	L2	L4	L5	L6	⌀
4.88	4.80	2.40	5.83	1.57	21.38	3.39	6.54	13.78	0.63	1.97

1) Dimensions are in inches, unless otherwise noted.

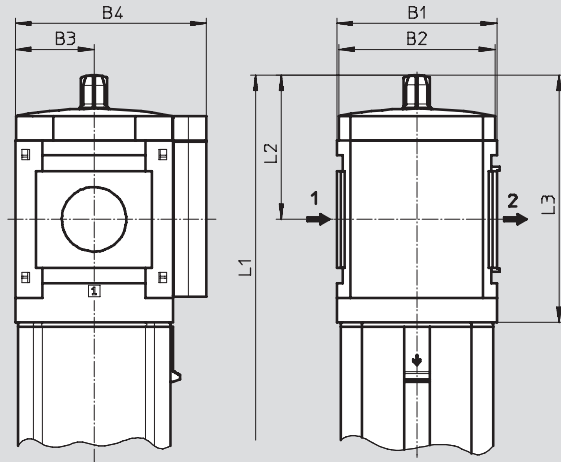
Fine and Micro Filters MS12N-LFM – Inch Series

Dimensional Drawings



Dimensions¹⁾ – Differential Pressure Indicator

Download CAD Data → www.festo.com/us/cad



→ Flow direction

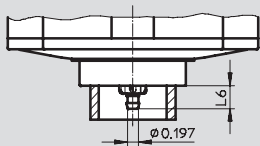
Type	B1	B2	B3	B4	L1	L2	L3
MS12-LFM-...-DA	4.88	4.80	2.40	5.83	22.40	4.41	7.56

1) Dimensions are in inches, unless otherwise noted.

Dimensions¹⁾ – Bowl Drain

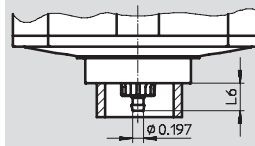
Download CAD Data → www.festo.com/us/cad

Manual M



Barbed fitting for plastic tubing
PCN-4

Fully automatic V



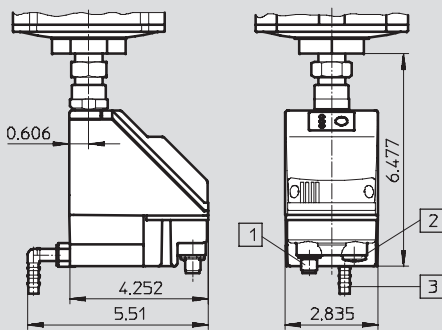
Barbed fitting for plastic tubing
PCN-4

Type	L6
MS12-LFM-...-M	0.43

Type	L6
MS12-LFM-...-V	0.51

Fully automatic, electrically actuated E1 ... E4

Technical data PWEA → www.festo.com/catalog/pwea



- 1 Variant E1
PWEA-AP-... with M12x1 plug,
5-pin for SIM-M12-5GD-...
- 2 Variant E2/E3/E4
PWEA-AC-... with cable conduit
fitting Pg9
- 3 Connection 360° rotatable for
plastic tubing PUN-H-12x2-...

1) Dimensions are in inches, unless otherwise noted.

Fine and Micro Filters MS12N-LFM – Inch Series

Ordering Data – Pre-configured Products

Ordering Data							
Metal bowl							
Bowl drain	Connection	Micro filter			Fine filter		
		Filtration grade 0.01 µm			Filtration grade 1 µm		
		Part No.	Type	LT	Part No.	Type	LT
Fully automatic	1 NPT... 2 NPT ¹⁾	537154	MS12-LFM-G-AUV	1D	537153	MS12-LFM-G-BUV	1D

LT = Lead time **1D** typically ships same day/next day **1W** typically ships within 1 week **Q** request a quote for lead time

1) Port plate must be ordered separately as an accessory → 1147

Fine and Micro Filters MS12N-LFM – Inch Series



Ordering Data – Configurable Products

M Mandatory data									O Options		
Part No.	Series	Size	Thread	Function	Connection size	Filtration grade	Bowl	Bowl drain	Filter change sensor	Type of mounting	Reverse flow direction
535045	MS	12	N	LFM	AQT AQU AQV AQW G	B A	U	M V E1 E2 E3 E4	DA	WP	Z
Order example											
535045	MS	12	N	- LFM	- AQW	- A	- U	- M	-	-	-

Ordering Table		Grid dimension [mm]	124	Conditions	Code	Enter code
M	Part No.	535045				
	Series	Standard			MS	MS
	Size	12			12	12
	Thread	NPT thread			N	N
	Function	Fine and micro filter			-LFM	-LFM
	Connection size	Port plate 1 NPT (dimensions → 1147)			-AQT	
		Port plate 1¼ NPT (dimensions → 1147)			-AQU	
		Port plate 1½ NPT (dimensions → 1147)			-AQV	
		Port plate 2 NPT (dimensions → 1147)			-AQW	
		Module without connecting thread, without port plate			-G	
	Filtration grade	1 µm			-B	
		0.01 µm			-A	
	Bowl	Metal bowl			-U	-U
	Bowl drain	Manual			-M	
		Fully automatic (P1 max. 176 psi)			-V	
		External fully automatic bowl drain, electrical, 24 V DC, M12			-E1	
		External fully automatic bowl drain, electrical, 110 V AC, terminals			-E2	
		External fully automatic bowl drain, electrical, 230 V AC, terminals			-E3	
		External fully automatic bowl drain, electrical, 24 V DC, terminals			-E4	
O	Filter change sensor	Differential pressure indicator, optical			-DA	
	Type of mounting	Mounting bracket (dimensions → 1148)		1	-WP	
	Reverse flow direction	Flow direction from right to left			-Z	

1 WP Only with port plate AQT, AQU, AQV or AQW

Transfer order code

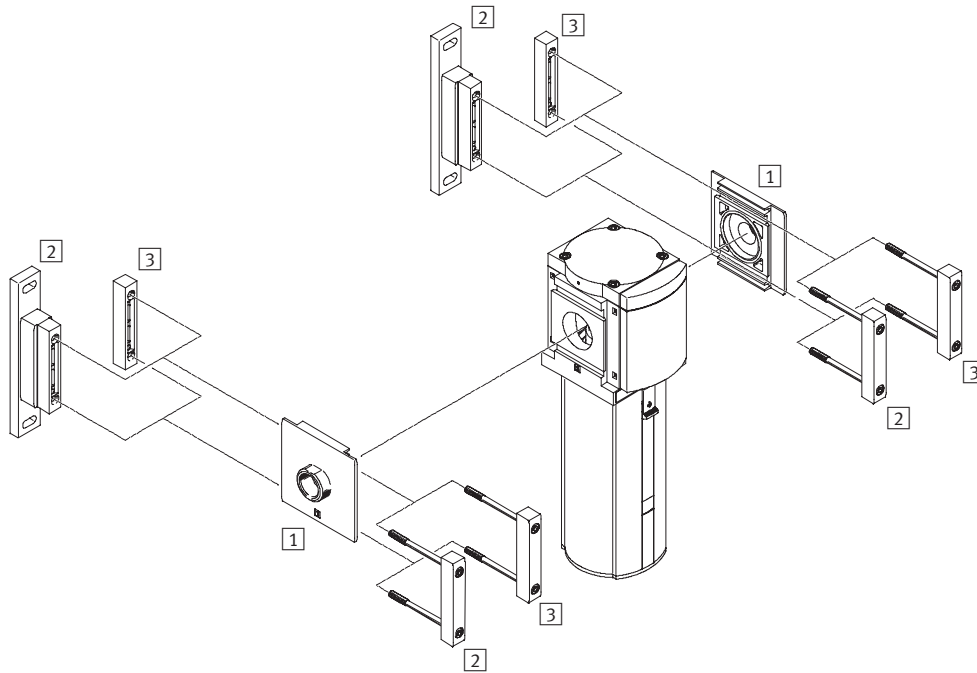
535045	MS	12	N	- LFM	-	-	- U	-	-	-	-
--------	----	----	---	-------	---	---	-----	---	---	---	---

Fine and Micro Filters MS12N-LFM – Inch Series

Accessories Overview



Mounting Attachments and Accessories



Mounting Attachments and Accessories		→ Page
1	Port plate MS12-AQ...	1147
2	Mounting bracket MS12-WP	1148
3	Body connector MS12-MV	1147

Fine and Micro Filters MS12N-LFM – Inch Series

Accessories

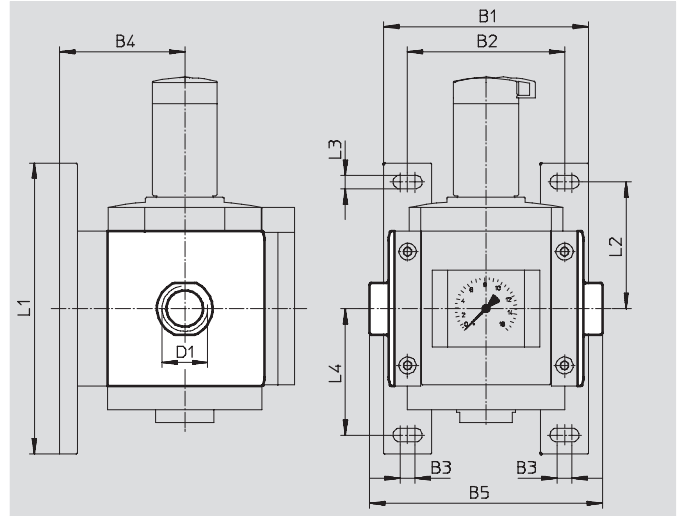
1 Port plate MS12-AQ...

- Adapter for pneumatic connection

Material:

Die-cast aluminum

Free of copper and PTFE



Dimensions and Ordering Data												
B1	B2	B3	B4	B5	D1	L1	L2	L3	L4	Weight [[lb]	Part No.	Type
6.38	4.88	0.47	3.90	7.24	1 NPT	9.06	3.94	0.43	3.94	2.60	537139	MS12-AQT
				7.24	1¼ NPT						537140	MS12-AQU
				7.24	1½ NPT						537141	MS12-AQV
				7.72	2 NPT						537142	MS12-AQW

3 Body connector MS12-MV

- For connecting modules

Material:

Die-cast aluminum,

Free of copper and PTFE



Ordering Data			
Size	Weight [[lb]	Part No.	Type
MS12	1.00	537134	MS12-MV

Fine and Micro Filters MS12N-LFM – Inch Series

FESTO

Accessories

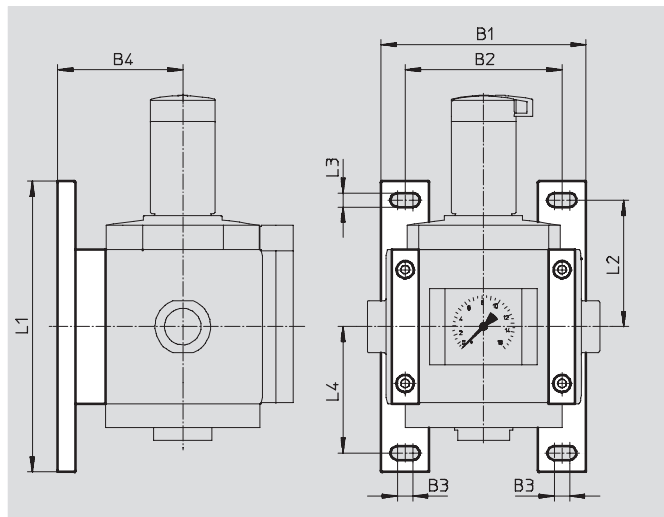
2 Mounting bracket MS12-WP

- To connect the modules for wall mounting
- In combination with a port plate for mounting an individual unit on a wall

Material:

Die-cast aluminum

Free of copper and PTFE



Dimensions and Ordering Data

Size	B1	B2	B3	B4	L1	L2	L3	L4	Weight [[b]	Part No.	Type
MS12	6.38	4.88	0.47	3.90	9.06	3.94	0.43	3.94	1.40	537133	MS12-WP

Fine and Micro Filters MS12N-LFM – Inch Series

Replacement Parts

FESTO



Ordering Data – Filter Cartridges			
Size	Filtration grade [µm]	Part No.	Type
MS12	0.01	537146	MS12-LFM-A
	1	537145	MS12-LFM-B

- For spare parts go to: www.festo.com/en/spare_parts_service

Festo - Your Partner in Automation



1 Festo Inc.
5300 Explorer Drive
Mississauga, ON L4W 5G4
Canada

Festo Customer Interaction Center
Tel: 1 877 463 3786
Fax: 1 877 393 3786
Email: customer.service.ca@festo.com



2 Festo Pneumatic
Av. Ceylán 3,
Col. Tequesquináhuac
54020 Tlalnepantla,
Estado de México

Multinational Contact Center
01 800 337 8669
ventas.mexico@festo.com



3 Festo Corporation
1377 Motor Parkway
Suite 310
Islandia, NY 11749

Festo Customer Interaction Center
1 800 993 3786
1 800 963 3786
customer.service.us@festo.com



4 Regional Service Center
7777 Columbia Road
Mason, OH 45040

Connect with us



www.festo.com/socialmedia



www.festo.com

Subject to change