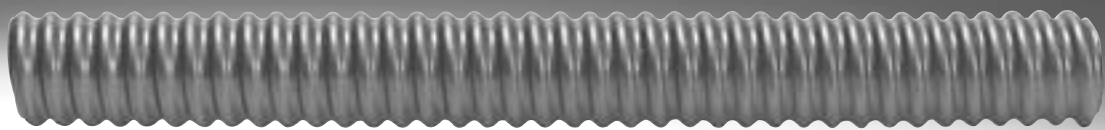


Protective conduits

FESTO



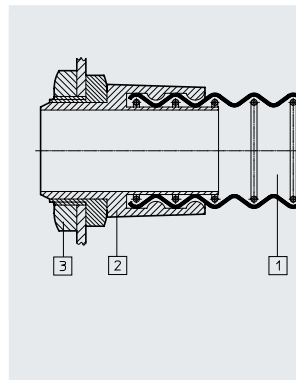
Datasheet

Protective conduit MKV

Material:
PVC, spring steel

Note on materials:
RoHS-compliant

LABS (PWIS) conformity:
VDMA24364-B1/B2-L



- [1] Protective conduit
- [2] Fitting
- [3] Lock nut

For protecting pneumatic tubing and electrical cables.

Flexible, can be stretched and compressed, water-tight and resistant to most oils and acids.

Note

The protective conduit MKV can be combined with the multi-plug KSV.
→ Internet: ksv

Note

Additional protective conduits for installation components for handling and assembly technology.
→ Internet: mkr, mkg

Ordering data

For protective conduit fitting MKVV with connecting thread	I.D. x O.D. [mm]	Min. bending radius +10% [mm]	For multi-plug KSV	Corrosion resistance class CRC ¹⁾	Weight [g/m]	Part no.	Type	PJ ²⁾ [m]
Pg 13.5	15x19	19	–	2 - Moderate corrosion stress	117	7404	MKV-PG-13.5	50
Pg 21	21x27	27	KSV-5		240	7549	MKV-PG-21	50
Pg 29	29x36	36	KSV-8, KSV6-7		395	7550	MKV-PG-29	25
Pg 36	38x45	45	KSV-16-B, KSV6-12		560	7147	MKV-PG-36	25
Pg 48	48x56	56	KSV-32-B, KSV6-22		806	7148	MKV-PG-48	25

1) More information www.festo.com/x/topic/crc
2) Packaging unit

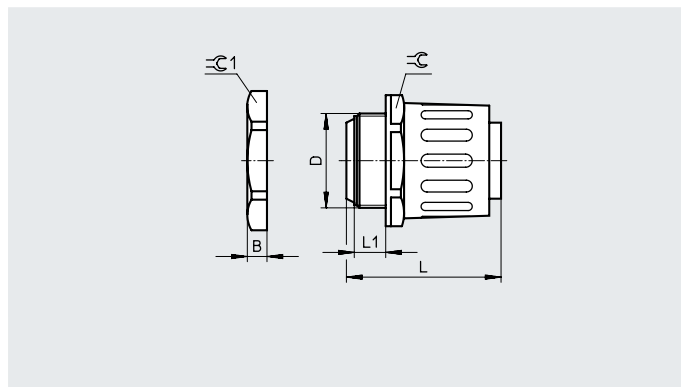
Datasheet

Protective conduit fitting MKVV Lock nut MKVM

Material:
Polymer

Note on materials:
RoHS-compliant

LABS (PWIS) conformity:
VDMA24364-B1/B2-L



Dimensions					
Connecting thread D	B	L	L1	$\varnothing C$	$\varnothing C1$
Pg 13.5	6	42	10	24	27
Pg 21	7	58	11	35	36
Pg 29	7	59	12	45	46
Pg 36	8	62.5	12	54	60
Pg 48	8	68	15	65	70

Ordering data – Protective conduit fitting				
Connecting thread	Corrosion resistance class CRC ¹⁾	Weight [g]	Part no.	Type
Pg 13.5	2 - Moderate corrosion stress	7	19113	MKVV-PG-13.5-B
Pg 21		17	19114	MKVV-PG-21-B
Pg 29		27	19115	MKVV-PG-29-B
Pg 36		37	19116	MKVV-PG-36-B
Pg 48		59	19117	MKVV-PG-48-B

Ordering data – Lock nut				
Connecting thread	Corrosion resistance class CRC ¹⁾	Weight [g]	Part no.	Type
Pg 13.5	2 - Moderate corrosion stress	2.5	7411	MKVM-PG-13.5
Pg 21		4.3	9691	MKVM-PG-21
Pg 29		6.5	9692	MKVM-PG-29
Pg 36		11.7	7413	MKVM-PG-36
Pg 48		15.6	7414	MKVM-PG-48

1) More information www.festo.com/x/topic/crc