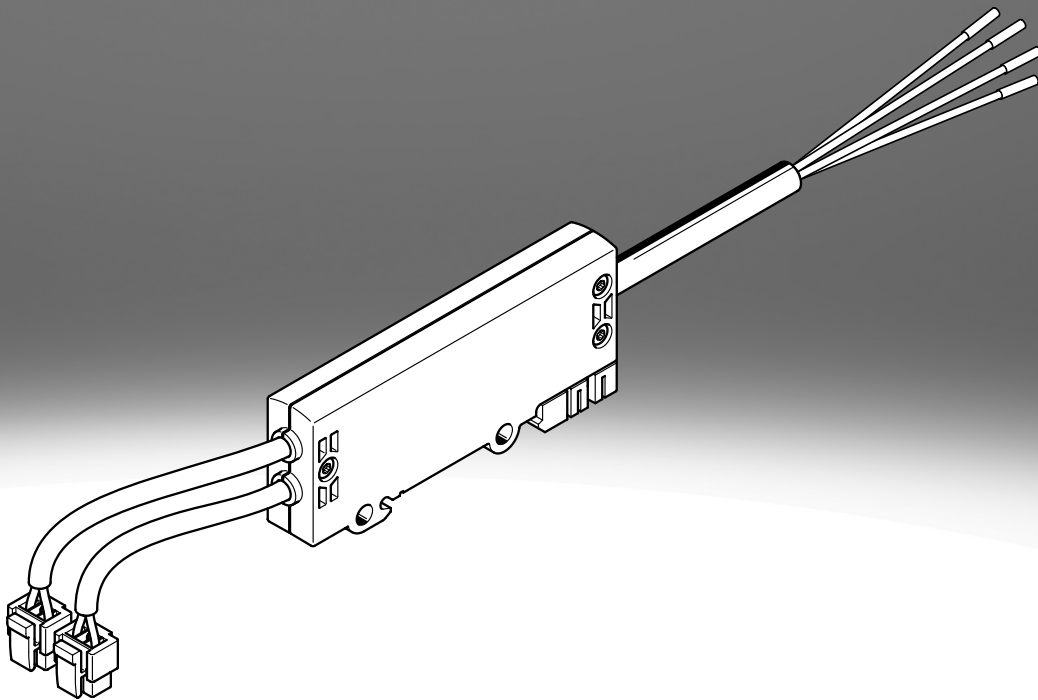


Connecting cable MHJ9-KMH

FESTO



Datasheet

General technical data

Additional functions	Spark arresting; Holding current reduction with energy recovery; Safety shut-off
Mounting position	optional
Type of mounting	Either: With through-hole With H-rail

Technical data – Electrical connection

Electrical connection	2-pin/2-pin/4-wire Straight socket/straight socket/cable
-----------------------	---

Technical data – Electrical components

Operational voltage range DC	12 ... 53 V
Trigger signal voltage range DC	3 ... 30 V
Reverse polarity protection	For operating voltage
Duty cycle	100% Observe the notes on operating the solenoid valves.
Input resistance	34 kOhm
Note on input current	Linear rise 0.09-0.44 mA with a trigger signal of 3-15 V 0.44-15.44 mA with a trigger signal of 15-30 V

Technical data – Cable

Cable characteristic	For static applications
----------------------	-------------------------

Materials

Material housing	POM
Material cable sheath	PUR; PVC
Note on materials	RoHS-compliant
LABS (PWIS) conformity	VDMA24364-B2-L

Operating and environmental conditions

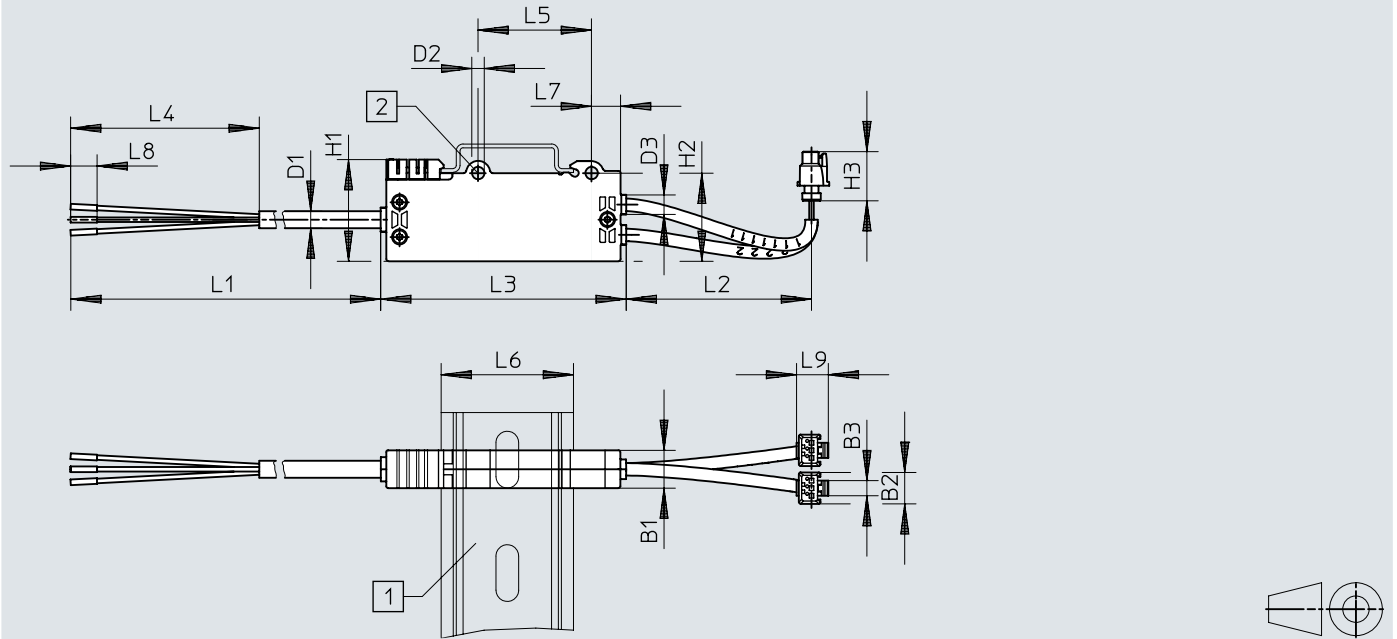
Ambient temperature	-5 ... 50°C
Corrosion resistance class CRC ¹⁾	2 - Moderate corrosion stress
CE mark (see declaration of conformity) ²⁾	To EU EMC Directive In accordance with EU RoHS Directive
CE marking (see declaration of conformity)	To UK instructions for EMC To UK RoHS instructions
Degree of protection	IP40
Approval	RCM trademark

1) More information: www.festo.com/x/topic/crc2) More information www.festo.com/catalogue/... Support/Downloads.

Dimensions

Dimensions – Connecting cable MHJ9-KMH

Download CAD data www.festo.com



- [1] H-rail
- [2] Drilled hole for wall mounting

	B1	B2	B3	D1	D2	D3	H1	H2	H3	L1	L2	L3	L4	L5	L6	L7	L8	L9
MHJ9-KMH-0,5	10	8	4	5	3,4	3,3	27	23	13	500	200	65	50	30	35	8	7	8
MHJ9-KMH-2,5										2500								

Ordering data

Ordering data					
Note on operation	Information on power consumption	Cable length	Product weight	Part no.	Type
Fixed power supply must be able to supply at least 1.7 A without voltage drop	Low-current phase 2 W, high-current phase 7 W, per channel	0.5 m	40 g	553121	MHJ9-KMH-0,5-MF
		2.5 m	98 g	565519	MHJ9-KMH-2,5-MF
Fixed power supply must be able to supply at least 1.85 A without voltage drop.	Low-current phase 2.8 W, high-current phase 17.1 W, per channel	0.5 m	40 g	562170	MHJ9-KMH-0,5-HF
		2.5 m	98 g	567505	MHJ9-KMH-2,5-HF