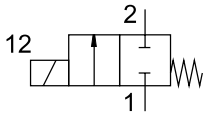



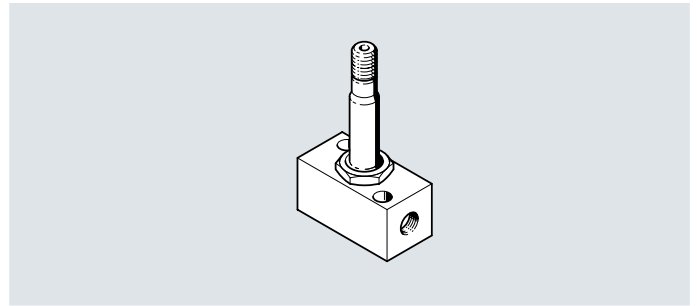


Datasheet



-  - Flow rate
300 l/min
-  - Temperature range
-5 ... +40°C
-  - Pressure
-0.095 ... +0.7 MPa



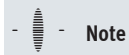
Operation with different pressures

Vacuum operation

The flow direction is clearly defined and cannot be reversed.

This must be observed even when operating the valve with vacuum.

This is achieved by connecting the vacuum to port 2.

**Note**

Vacuum must not be connected to port 1.

Duty cycle

Up to an operating pressure of 5.5 bar, 100% duty cycle is permissible; for the pressure range 5.5 ... 7 bar the value is reduced to 40%.

Reverse operation

Reverse operation is not possible; the flow direction cannot be reversed.

General technical data

Valve function		2/2, normally closed, single solenoid
Design		Poppet valve with spring return
Sealing principle		Soft
Reset method		Mechanical spring
Actuation type		Electrical
Type of control		Direct
Flow direction		Not reversible
Manual override		None
Nominal width	[mm]	4
Standard nominal flow rate	[l/min]	300
Type of mounting		Via through-hole
Pneumatic connection	1	G1/8
	2	G1/8
Note on materials		RoHS-compliant

Operating and environmental conditions

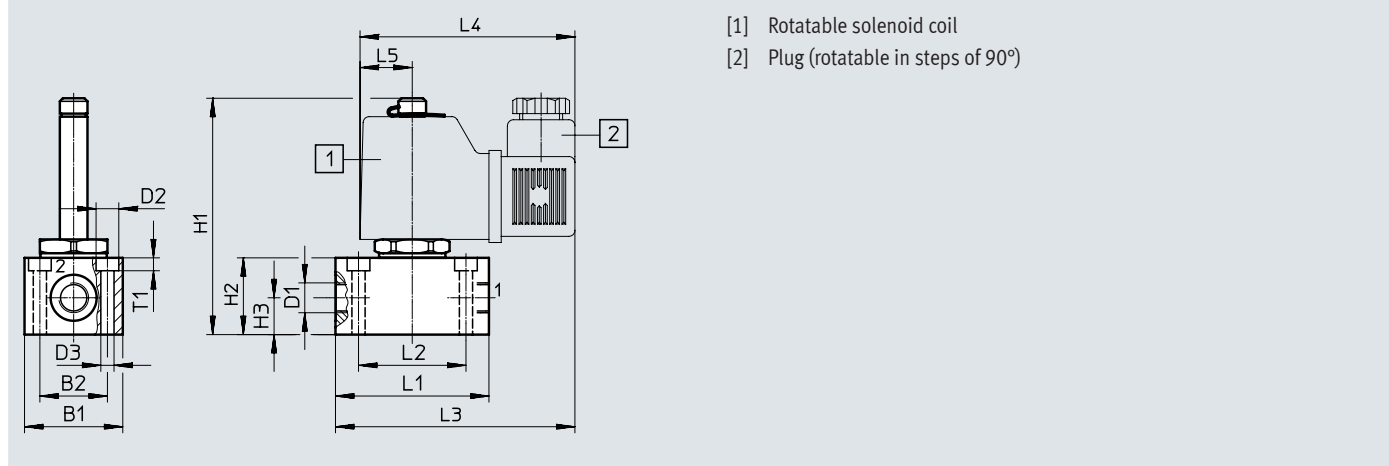
Operating medium		Compressed air to ISO 8573-1:2010 [7:4:4]
Operating pressure	[MPa]	-0.095 ... +0.7
	[bar]	-0.95 ... +7
Ambient temperature	[°C]	-5 ... +40
Temperature of medium	[°C]	-10 ... +60
Storage temperature	[°C]	-40 ... +100

Datasheet

Electrical data											
Direct voltage	Operating voltage	[V DC]	12	24	42	96	110	220	240		
	Power consumption	[W]	11.7	11	12	11	12.7	15	17.9		
Alternating voltage	Operating voltage	[V AC]	12	24	42	48	110	120	220	240	380
		[Hz]	50	50	50/60	50	50/60	60	50/60	50	50/60
	Pick-up power	[VA]	30								
	Holding power	[VA]	22								
Duty cycle		[%]	100	100	100	100	100	100	100	100	
Degree of protection to EN 60529			IP65	IP65	IP65	IP65	IP65	IP65	IP65	IP65	

Switching times and frequencies			
Switching time	On	[ms]	18
	Off	[ms]	20

Dimensions Download CAD data → www.festo.com



Type	B1	B2	D1	D2 ∅	D3 ∅	H1	H2	H3	L1	L2	L3	L4	L4	T1
MC-2-1/8	32	22	G1/8	8	4.5	77	25	12	50	35	77	70	18	4.7

Ordering data		Part no.	Type
	2/2-way solenoid valve, normally closed, single solenoid	2187	MC-2-1/8

Festo - Your Partner in Automation



1 Festo Inc.
5300 Explorer Drive
Mississauga, ON L4W 5G4
Canada

Festo Customer Interaction Center
Tel: 1 877 463 3786
Fax: 1 877 393 3786
Email: customer.service.ca@festo.com



2 Festo Pneumatic
Av. Ceylán 3,
Col. Tequesquináhuac
54020 Tlalnepantla,
Estado de México

Multinational Contact Center
01 800 337 8669
ventas.mexico@festo.com



3 Festo Corporation
1377 Motor Parkway
Suite 310
Islandia, NY 11749

Festo Customer Interaction Center
1 800 993 3786
1 800 963 3786
customer.service.us@festo.com



4 Regional Service Center
7777 Columbia Road
Mason, OH 45040

Connect with us



www.festo.com/socialmedia



www.festo.com

Subject to change