

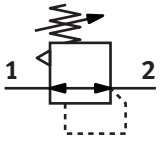
## Pressure regulator LR-F

**FESTO**



## Characteristics

### At a glance



The pressure regulator valve keeps the constant pressure in the secondary side, independent of the variations suffered for pneumatic network. The automatic exhaust allows to reduce the pressure in functioning, even without air consumption. Due to its compact shape and its robust housing, this regulator is specially appropriate for assembly in front panel.

- Diaphragm regulator
- High low rate
- Rotary knob with latch

## Datasheet

General technical data	
Pneumatic connection, port 1	G1/8
Pneumatic connection, port 2	G1/8
Design	Diaphragm regulator With through compressed air supply
Controller function	Output pressure constant Via primary pressure compensation With secondary venting
Type of mounting	Front panel mounting With accessories
Mounting position	optional
Actuator lock	Rotary knob with detent
Pressure regulation range	0.5 ... 12 bar
Inlet pressure 1	1 ... 20 bar
Max. pressure hysteresis	0.2 bar
Pressure gauge (ANALOG) or Pressure display (DIGITAL)	Prepared for G1/8
Standard nominal flow rate (standardised to DIN 1343)	420 l/min

Operating and environmental conditions	
Operating pressure	–
Operating pressure	–
Operating pressure	–
Operating medium	Compressed air to ISO 8573-1:2010 [7:::]
Note on operating and pilot medium	Lubricated operation possible (in which case lubricated operation will always be required)
Ambient temperature	-10 ... 80°C
Media temperature	-10 ... 80°C
Storage temperature	-10 ... 80°C
Corrosion resistance class CRC <sup>1)</sup>	1 - Low corrosion stress

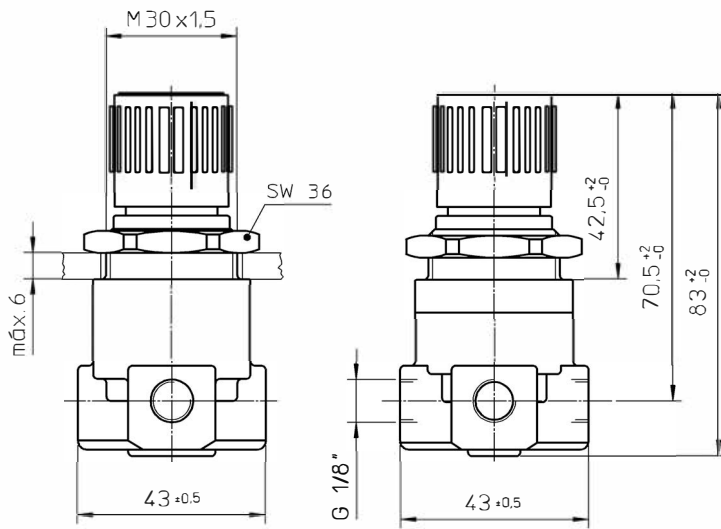
1) More information [www.festo.com/x/topic/crc](http://www.festo.com/x/topic/crc)

Materials	
Material housing	Copper alloy
Material seals	NBR
LABS (PWIS) conformity	VDMA24364-B1/B2-L


## Dimensions

Dimensions – Mini/Midi/Maxi, lockable

Download CAD data [www.festo.com](http://www.festo.com)



## Ordering data

Ordering data						
	Pneumatic connection, port 1	Pneumatic connection, port 2	Pressure regulation range	Product weight	Part no.	Type
	G1/8	G1/8	0.5 ... 12 bar	120 g	552420	LR-1/8-F