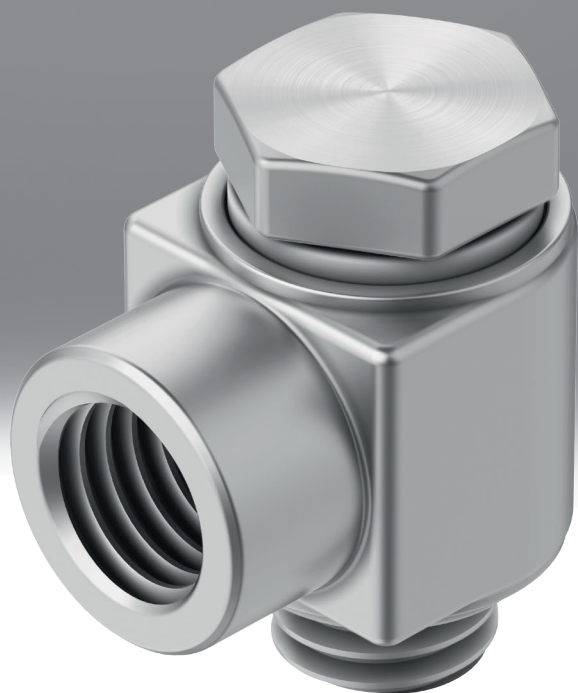


Fitting LJK, TJK

FESTO



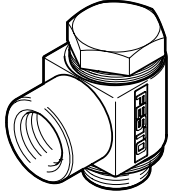
Characteristics

At a glance

Fitting with sealing ring.

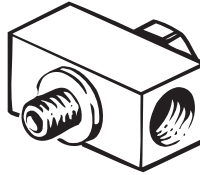
Series

[LJK] L-fitting



Elbow fitting with female thread

[TJK] T-fitting



T-fitting, swivelling, with female thread

Datasheet

General technical data

| | | | | | |
|------------------------------|------------------|--------------------|--------------------|--------------------|--------------------|
| Pneumatic connection, port 1 | Male thread M3 | Male thread G1/8 | Male thread G1/4 | Male thread G3/8 | Male thread G1/2 |
| Pneumatic connection, port 2 | Female thread M3 | Female thread G1/8 | Female thread G1/4 | Female thread G3/8 | Female thread G1/2 |

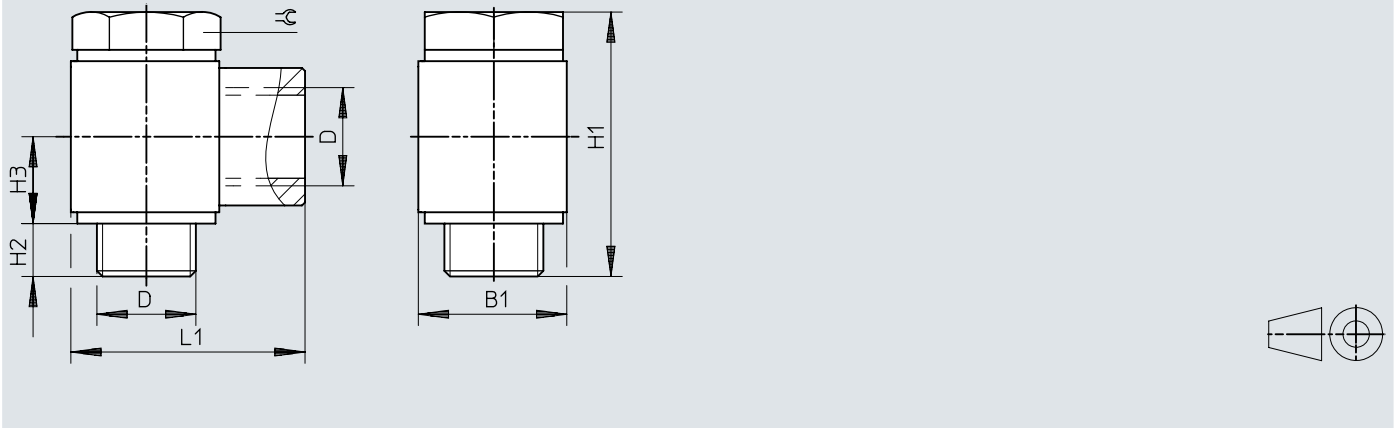
Materials

| | |
|------------------------|---|
| Material housing | Brass, nickel-plated, Die-cast zinc |
| Material hollow bolt | Anodised aluminium, Nickel-plated brass |
| Note on materials | RoHS-compliant |
| LABS (PWIS) conformity | VDMA24364-B1/B2-L |

Dimensions

Dimensions – Elbow fitting LJK

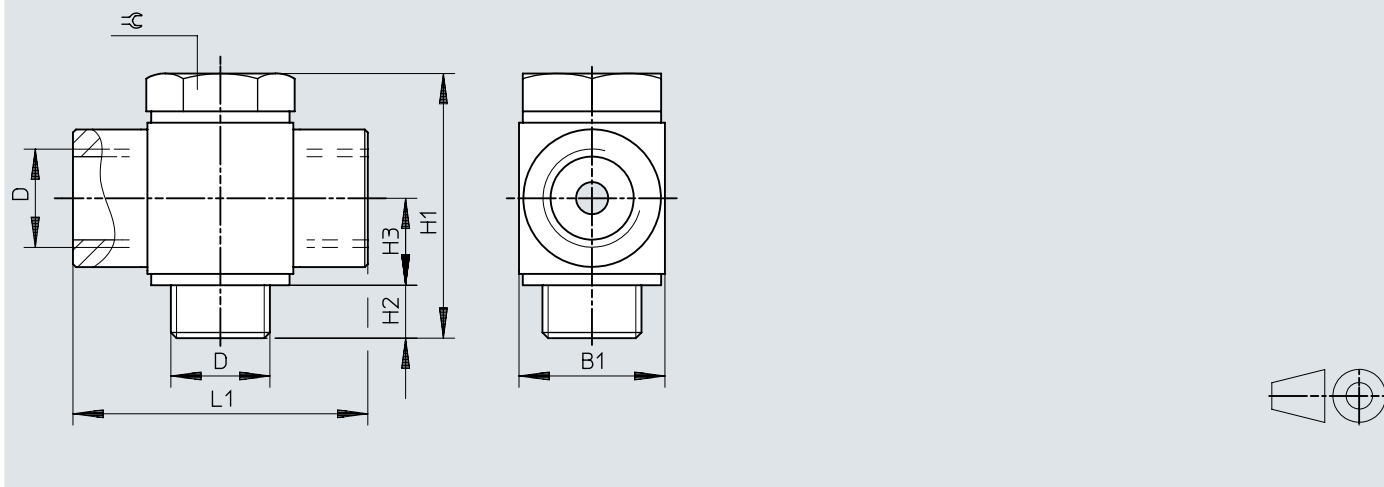
Download CAD data → www.festo.com



| | D | B1 | H1 | H2 | H3 | L1 | ≅ |
|---------|------|----|------|-----|-------|------|----|
| LJK-1/8 | G1/8 | 16 | 27,1 | 4,7 | 9,2 | 23,5 | 13 |
| LJK-1/4 | G1/4 | 20 | 34,3 | 5,7 | 11,8 | 31 | 17 |
| LJK-3/8 | G3/8 | 25 | 41,3 | 6,7 | 14,3 | 36,5 | 22 |
| LJK-1/2 | G1/2 | 30 | 46,6 | 7,5 | 17,05 | 44 | 27 |


Dimensions


Dimensions – T-fitting TJK

Download CAD data → www.festo.com

| | D | B1 | H1 | H2 | H3 | L1 | ≡ |
|---------|------|----|------|-----|-------|----|-----|
| TJK-M3 | M3 | 5 | 10 | 2 | 3,3 | 10 | 4,5 |
| TJK-1/8 | G1/8 | 16 | 27,1 | 4,7 | 9,2 | 28 | 13 |
| TJK-1/4 | G1/4 | 20 | 34,3 | 5,7 | 11,8 | 39 | 17 |
| TJK-3/8 | G3/8 | 25 | 41,3 | 6,7 | 14,3 | 43 | 22 |
| TJK-1/2 | G1/2 | 30 | 46,6 | 7,5 | 17,05 | 52 | 27 |

Ordering data

| Ordering data – LJK | | | | | |
|--|-----------------|------------------------------|------------------------------|-------------|----------------|
| | Short type code | Pneumatic connection, port 1 | Pneumatic connection, port 2 | Part no. | Type |
|  | LJK | Male thread G1/8 | Female thread G1/8 | 4945 | LJK-1/8 |
| | | Male thread G1/4 | Female thread G1/4 | 4946 | LJK-1/4 |
| | | Male thread G3/8 | Female thread G3/8 | 4947 | LJK-3/8 |
| | | Male thread G1/2 | Female thread G1/2 | 4948 | LJK-1/2 |

| Ordering data – TJK | | | | | |
|--|-----------------|------------------------------|------------------------------|--------------|----------------|
| | Short type code | Pneumatic connection, port 1 | Pneumatic connection, port 2 | Part no. | Type |
|  | TJK | Male thread M3 | Female thread M3 | 15874 | TJK-M3 |
| | | Male thread G1/8 | Female thread G1/8 | 4949 | TJK-1/8 |
| | | Male thread G1/4 | Female thread G1/4 | 4950 | TJK-1/4 |
| | | Male thread G3/8 | Female thread G3/8 | 4951 | TJK-3/8 |
| | | Male thread G1/2 | Female thread G1/2 | 4952 | TJK-1/2 |