

Activated carbon filter LFX

FESTO



Characteristics

At a glance

- Removes liquid and gaseous oil particles from compressed air using activated carbon
- Activated carbon filter cartridges provide odour and oil-free air to food industry standard
- With or without connecting plates
- Prefiltration down to a particle size of 0.01 µm is recommended

Diagrams

Link [lfx-d](#)



The diagrams shown in this document are also available online. These can be used to display precise values.

Version

[D] D series, metal

Sturdy in full metal design for the specific requirements of the process automation industry

Type code

001	Series
LFX	Activated carbon filter

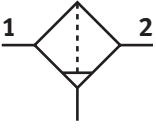
002	Pneumatic connection
	None
1/8	Female thread G1/8
1/4	Female thread G1/4
3/8	Female thread G3/8
1/2	Female thread G1/2
3/4	Female thread G3/4
1	Female thread G1

003	Version
D	D series, metal

004	Size
MINI	Grid dimension 40 mm (without connecting plates)
MIDI	Grid dimension 55 mm (without connecting plates)
MAXI	Grid dimension 66 mm (without connecting plates)

Datasheet

General technical data



Size	Maxi	Midi	Mini
Pneumatic connection, port 1	Sub-base, Manifold module, G1/2, G3/4, G1	Sub-base, Manifold module, G1/4, G3/8, G1/2, G3/4	Sub-base, Manifold module, G1/8, G1/4, G3/8
Pneumatic connection, port 2	Sub-base, Manifold module, G1/2, G3/4, G1	Sub-base, Manifold module, G1/4, G3/8, G1/2, G3/4	Sub-base, Manifold module, G1/8, G1/4, G3/8
Pneumatic connection	Without sub-base, G1/2, G3/4, G1	Without sub-base, G1/4, G3/8, G1/2, G3/4	Without sub-base, G1/8, G1/4, G3/8
Design	Activated carbon filter, Active carbon filter, Fibre filter	Activated carbon filter, Fibre filter	
Type of mounting	Either: In-line installation Via mounting bracket		
Mounting position	Vertical +/-5°		
Air purity class at output	Compressed air according to ISO 8573-1:2010 [1:4:1] Inert gases		
Bowl guard	Metal bowl guard		
Residual oil content	≤0.003 mg/m ³		

Normal flow rate q_n (measured at p₁ = 6 bar and Δp = 1 bar)

Size	Maxi	Midi	Mini
Max. standard flow rate for clean air class	1,100 l/min	900 l/min	360 l/min

Operating and environmental conditions

Operating pressure	0 ... 1.6 MPa
Operating pressure	0 ... 16 bar
Operating pressure	0 ... 232 psi
Operating medium ¹⁾	Compressed air to ISO 8573-1:2010 [1:4:2] Inert gases
Ambient temperature	-10 ... 60°C
Media temperature	5 ... 30°C
Storage temperature	-10 ... 60°C

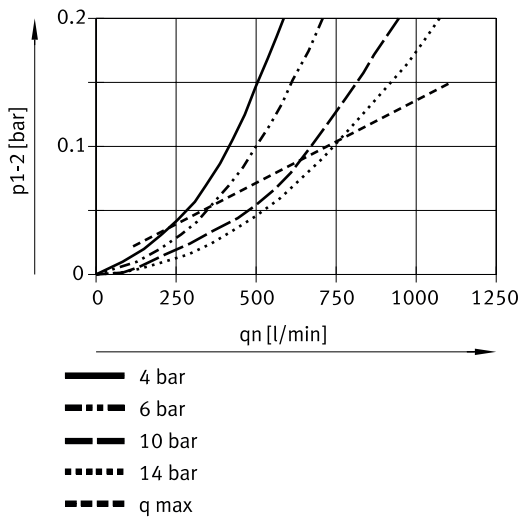
1) Compressed air according to ISO 8573-1:2010 [7:9:-] applies to fully automatic condensate drain

Materials

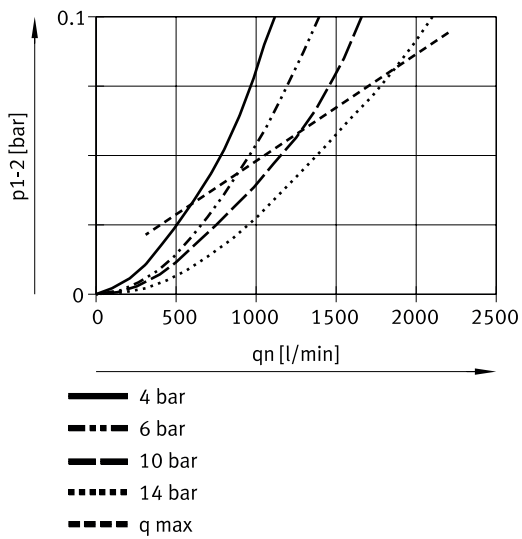
Material housing	Die-cast zinc
Material bowl	PC
Material filter	Activated carbon, Fabric
Note on materials	RoHS-compliant
LABS (PWIS) conformity	VDMA24364-B1/B2-L

Datasheet

Standard flow rate q_n as a function of differential pressure Δp_{1-2} (LFX-1/4-D-MINI)

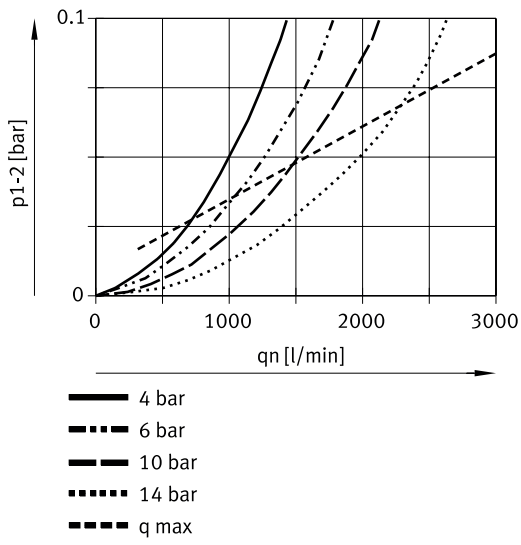


Standard flow rate q_n as a function of differential pressure Δp_{1-2} (LFX-1/2-D-MIDI)



Datasheet

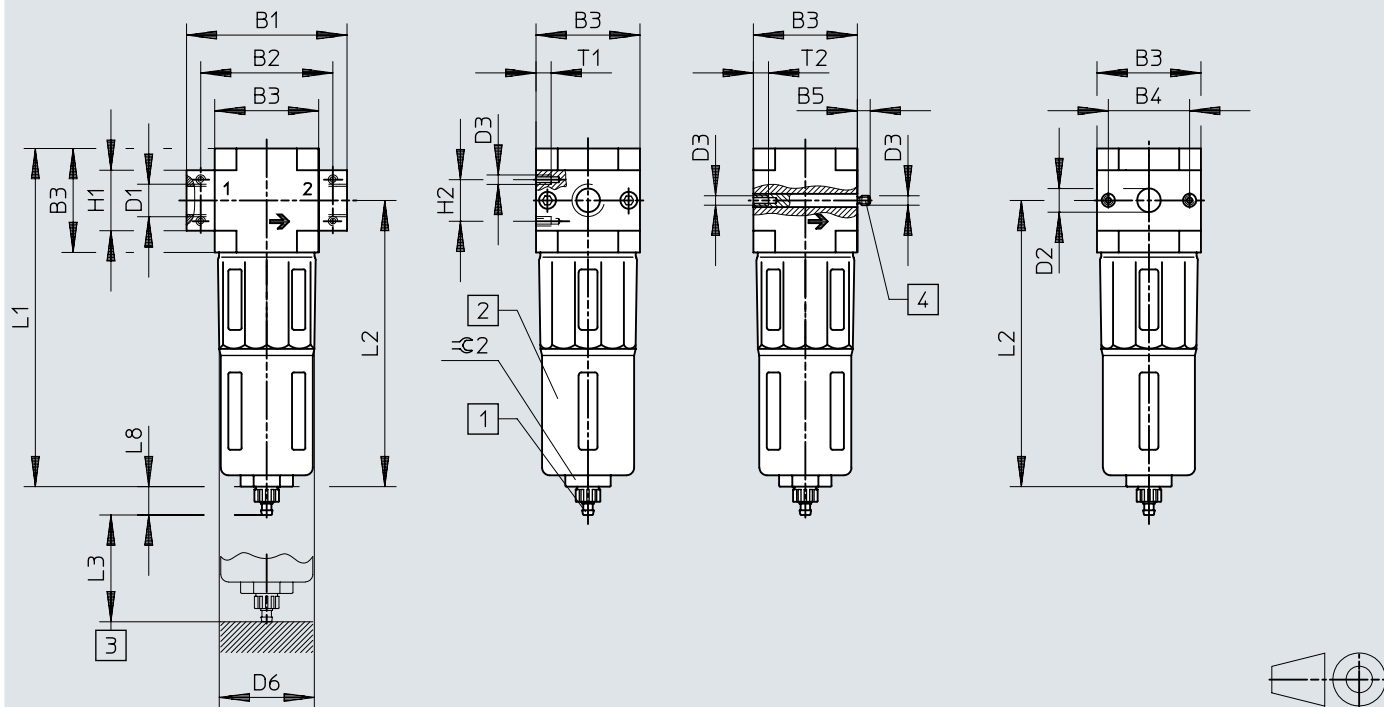
Standard flow rate q_n as a function of differential pressure Δp_{1-2} (LFX-1-D-MAXI)



Dimensions

Dimensions – Connecting plates with threaded connection

Download CAD data www.festo.com

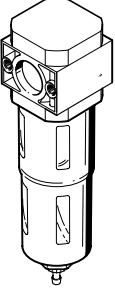


- [1] Barbed connector for plastic tubing PUN(-H)-8x1.25
- [2] Metal bowl guard
- [3] Installation dimension
- [4] Threaded bolt (exchangeable)

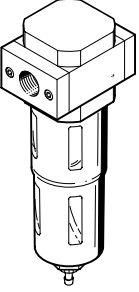
	B1	B2	B3	B4	B5	D1	D2	D3	D6	H1	H2	L1	L2	L3	T1	T2	±0.2
Mini																	
LFX-1/8-D-MINI	64	52	40	30	-	G1/8	-	M4	38	20	11	144	124	60	7	-	22
LFX-1/4-D-MINI					G1/4	-	-										
LFX-3/8-D-MINI	70	-	-	-	5,8	G3/8	11	-	-	-	-	-	-	-	-	10	-
LFX-D-MINI	-	-	-	-	-	-	-	-	-	-	-	-	-	-	-	-	-
Midi																	
LFX-1/4-D-MIDI	85	70	55	43	-	G1/4	-	M5	52	32	22	179	151	80	8	-	24
LFX-3/8-D-MIDI					G3/8	-	-										
LFX-1/2-D-MIDI					G1/2	-	-										
LFX-3/4-D-MIDI					G3/4	-	-										
LFX-D-MIDI	-	-	-	-	6,8	-	24	-	-	-	-	-	-	-	-	11	-
Maxi																	
LFX-1/2-D-MAXI	96	80	66	46	-	G1/2	-	M5	65	32	22	203	170	90	8	-	24
LFX-3/4-D-MAXI					G3/4	-	-										
LFX-1-D-MAXI	116	91	-	-	6,8	G1	30	-	-	40	-	-	-	-	-	11	-
LFX-D-MAXI	-	-	-	-	-	-	-	-	-	-	-	-	-	-	-	-	-

Ordering data

Without connecting plates

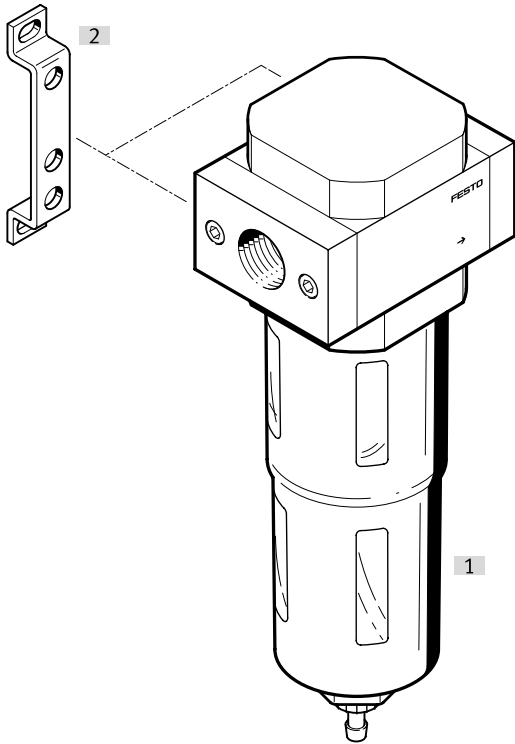
	Pneumatic connection, port 1	Pneumatic connection, port 2	Pneumatic connection	Product weight	Part no.	Type
	Manifold module	Manifold module	Without sub-base	283 g	532776	LFX-D-MINI
				600 g	532777	LFX-D-MIDI
				921 g	532778	LFX-D-MAXI

Connecting plates with threaded connection

	Pneumatic connection, port 1	Pneumatic connection, port 2	Pneumatic connection	Product weight	Part no.	Type
	Sub-base, G1/8	Sub-base, G1/8	G1/8	376 g	532779	LFX-1/8-D-MINI
	Sub-base, G1/4	Sub-base, G1/4	G1/4		532802	LFX-1/4-D-MINI
				816 g	532781	LFX-1/4-D-MIDI
	Sub-base, G3/8	Sub-base, G3/8	G3/8	376 g	532780	LFX-3/8-D-MINI
				816 g	532782	LFX-3/8-D-MIDI
	Sub-base, G1/2	Sub-base, G1/2	G1/2		532783	LFX-1/2-D-MIDI
				1,191 g	532785	LFX-1/2-D-MAXI
	Sub-base, G3/4	Sub-base, G3/4	G3/4	816 g	532784	LFX-3/4-D-MIDI
				1,191 g	532786	LFX-3/4-D-MAXI
	Sub-base, G1	Sub-base, G1	G1		532787	LFX-1-D-MAXI

Peripherals

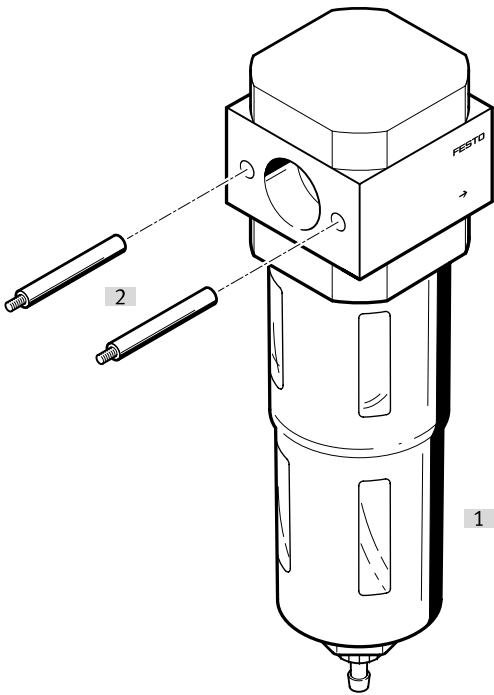
Peripherals overview – single unit with connecting plates



Accessories		→ Link
Type/order code	Description	
[1] Filter LFX-D		lfx-d
[2] Mounting bracket HFOE-D		11

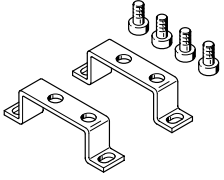
Peripherals

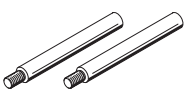
Peripherals overview – individual unit without connecting plates, for service unit component combination

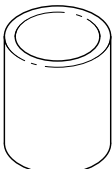


Accessories			→ Link
Type/order code	Description		
[1] Filter LFX-D			lfx-d
[2] Threaded bolt FRB-D	Included in the scope of delivery		11

Accessories

Mounting bracket MS4-WP...				
	Short type code	Corrosion resistance class CRC	Part no.	Type
	HFOE	2 - Moderate corrosion stress	159638	HFOE-D-MINI
			159593	HFOE-D-MIDI/MAXI

Mounting bracket MS4-WB				
	Short type code	Corrosion resistance class CRC	Part no.	Type
	FRB	2 - Moderate corrosion stress	159595	FRB-D-MIDI
			159643	FRB-D-MAXI
			159642	FRB-D-MINI

Filter cartridges, D series, metal				
	Size		Part no.	Type
	Maxi		532789	LFACP-MAXI
	Midi		532788	LFACP-MIDI
	Mini		532912	MS4/D-MINI-LFX