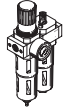
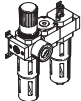
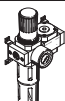
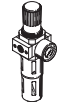
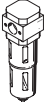
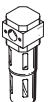
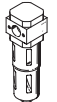
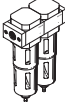
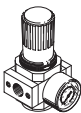


Service units LFR-K, D series



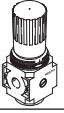
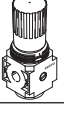
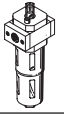
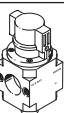
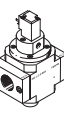
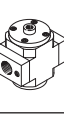
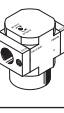


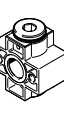
Product range overview – Service unit components, D series, metal

Type	Size	Pneumatic connection										Pressure regulation range [bar]			Grade of filtration [µm]			
		M5	M7	G1/8	G1/4	G3/8	G1/2	G3/4	G1	QS4	QS6	0.5 ... 7	0.5 ... 12	2.5 ... 12	0.01	1	5	40
Service units																		
FRC/FRCS 	Mini	-	-	■	■	■	-	-	-	-	-	■	■	-	-	-	■	■
	Midi	-	-	-	■	■	■	■	-	-	-	■	■	-	-	-	■	■
	Maxi	-	-	-	-	-	■	■	■	-	-	■	■	-	-	-	■	■
FRC-K 	Mini	-	-	■	■	-	-	-	-	-	-	■	■	-	-	-	■	■
	Midi	-	-	-	■	■	■	-	-	-	-	■	■	-	-	-	■	■
	Maxi	-	-	-	-	-	■	■	-	-	-	■	■	-	-	-	■	■
LFR-K 	Mini	-	-	■	■	-	-	-	-	-	-	■	■	-	-	-	■	■
	Midi	-	-	-	■	■	■	-	-	-	-	■	■	-	-	-	■	■
	Maxi	-	-	-	-	-	■	■	-	-	-	■	■	-	-	-	■	■
Individual devices																		
Filter regulators LFR/LFRS 	Mini	-	-	■	■	■	-	-	-	-	-	■	■	-	-	-	■	■
	Midi	-	-	-	■	■	■	■	-	-	-	■	■	-	-	-	■	■
	Maxi	-	-	-	-	-	■	■	■	-	-	■	■	-	-	-	■	■
Filters LF 	Mini	-	-	■	■	■	-	-	-	-	-	-	-	-	-	-	■	■
	Midi	-	-	-	■	■	■	■	-	-	-	-	-	-	-	-	■	■
	Maxi	-	-	-	-	-	■	■	■	-	-	-	-	-	-	-	■	■
Fine and micro filters LFMA/LFMB 	Mini	-	-	■	■	■	-	-	-	-	-	-	-	■	■	-	-	-
	Midi	-	-	-	■	■	■	■	-	-	-	-	-	■	■	-	-	-
	Maxi	-	-	-	-	-	■	■	■	-	-	-	-	■	■	-	-	-
Activated carbon filters LFX 	Mini	-	-	■	■	■	-	-	-	-	-	-	-	-	-	-	-	-
	Midi	-	-	-	■	■	■	■	-	-	-	-	-	-	-	-	-	-
	Maxi	-	-	-	-	-	■	■	■	-	-	-	-	-	-	-	-	-
Filter combinations LFMB 	Mini	-	-	■	■	■	-	-	-	-	-	-	-	■	■	-	-	-
	Midi	-	-	-	■	■	■	■	-	-	-	-	-	■	■	-	-	-
	Maxi	-	-	-	-	-	■	■	■	-	-	-	-	■	■	-	-	-
Druckregelventile LR/LRS 	Mini	-	-	■	■	■	-	-	-	-	-	■	■	-	-	-	-	-
	Midi	-	-	-	■	■	■	■	-	-	-	■	■	-	-	-	-	-
	Maxi	-	-	-	-	-	■	■	■	-	-	■	■	-	-	-	-	-

Product range overview – Service unit components, D series, metal

Type	Size	Bowl guard		Condensate drain			Pressure indicator		Actuator lock		Supply voltage			Options			→ Page/ Internet
		Metal bowl guard	Plastic bowl	Manual	Semi-automatic	Fully automatic	With pressure gauge	Without pressure gauge	Rotary knob with latch	Rotary knob with integrated lock	24 V DC	110 V AC	230 V AC	Directly actuated pressure regulator with integrated return flow function	Pilot actuated pressure regulator with integrated return flow function	Differential pressure display	
Service units																	
FRC/FRCS	Mini	■	-	■	-	■	■	■	■	■	-	-	-	-	-	-	frc
	Midi	■	-	■	-	■	■	■	■	■	-	-	-	-	-	-	
	Maxi	■	-	■	-	■	■	■	■	■	-	-	-	■	■	-	
FRC-K	Mini	■	-	■	-	■	■	-	■	-	■	-	-	-	-	-	frc
	Midi	■	-	■	-	■	■	-	■	-	■	-	-	-	-	-	
	Maxi	■	-	■	-	■	■	-	■	-	■	-	-	■	■	-	
LFR-K	Mini	■	-	■	-	■	■	-	■	■	■	-	-	-	-	-	lfr
	Midi	■	-	■	-	■	■	-	■	■	■	-	-	-	-	-	
	Maxi	■	-	■	-	■	■	-	■	■	■	-	-	■	■	-	
Individual devices																	
Filter regulators LFR/LFRS	Mini	■	-	■	-	■	■	■	■	■	-	-	-	-	-	-	lfr
	Midi	■	-	■	-	■	■	■	■	■	-	-	-	-	-	-	
	Maxi	■	-	■	-	■	■	■	■	■	-	-	-	■	■	-	
Filters LF	Mini	■	-	■	-	■	-	-	-	-	-	-	-	-	-	-	lf
	Midi	■	-	■	-	■	-	-	-	-	-	-	-	-	-	-	
	Maxi	■	-	■	-	■	-	-	-	-	-	-	-	-	-	-	
Fine and micro filters LFMA/LFMB	Mini	■	-	■	-	■	-	-	-	-	-	-	-	-	-	■	lfma, lfmb
	Midi	■	-	■	-	■	-	-	-	-	-	-	-	-	-	■	
	Maxi	■	-	■	-	■	-	-	-	-	-	-	-	-	-	■	
Activated carbon filters LFX	Mini	■	-	-	-	-	-	-	-	-	-	-	-	-	-	-	lfx
	Midi	■	-	-	-	-	-	-	-	-	-	-	-	-	-	-	
	Maxi	■	-	-	-	-	-	-	-	-	-	-	-	-	-	-	
Filter combinations LFMBA	Mini	■	-	■	-	■	-	-	-	-	-	-	-	-	-	■	lfmba
	Midi	■	-	■	-	■	-	-	-	-	-	-	-	-	-	■	
	Maxi	■	-	■	-	■	-	-	-	-	-	-	-	-	-	■	
Pressure regulators LR/LRS	Mini	-	-	-	-	-	■	■	■	■	-	-	-	■	-	-	lr
	Midi	-	-	-	-	-	■	■	■	■	-	-	-	■	-	-	
	Maxi	-	-	-	-	-	■	■	■	■	-	-	-	■	■	-	

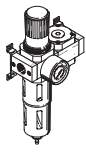
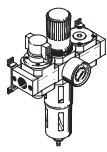
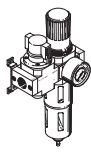
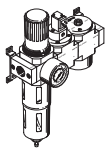
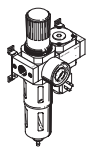
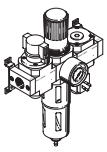
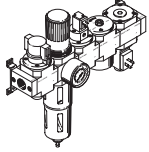
Product range overview – Service unit components, D series, metal

Type	Size	Pneumatic Connection										Pressure regulation range [bar]		
		M5	M7	G1/8	G1/4	G3/8	G1/2	G3/4	G1	QS4	QS6	0.5 ... 7	0.5 ... 12	
Individual devices														
Pressure regulators LRB/LRBS		Mini	-	-	-	■	-	-	-	-	-	-	■	■
	Midi	-	-	-	-	■	-	-	-	-	-	-	■	■
	Maxi	-	-	-	-	-	-	-	-	-	-	-	-	-
Pressure regulator manifolds LRB-K		Mini	-	-	-	■	■	-	-	-	-	-	■	■
	Midi	-	-	-	-	■	■	-	-	-	-	-	■	■
	Maxi	-	-	-	-	-	-	-	-	-	-	-	-	-
Lubricators LOE		Mini	-	-	■	■	■	-	-	-	-	-	-	-
	Midi	-	-	-	■	■	■	■	-	-	-	-	-	-
	Maxi	-	-	-	-	-	■	■	■	-	-	-	-	-
On/off valves HE		Mini	-	-	■	■	■	-	-	-	-	-	-	-
	Midi	-	-	-	■	■	■	■	-	-	-	-	-	-
	Maxi	-	-	-	-	-	■	■	■	-	-	-	-	-
On/off valves HEE		Mini	-	-	■	■	■	-	-	-	-	-	-	-
	Midi	-	-	-	■	■	■	■	-	-	-	-	-	-
	Maxi	-	-	-	-	-	■	■	■	-	-	-	-	-
On/off valves HEP		Mini	-	-	■	■	■	-	-	-	-	-	-	-
	Midi	-	-	-	■	■	■	■	-	-	-	-	-	-
	Maxi	-	-	-	-	-	■	■	■	-	-	-	-	-
Soft-start valves HEL		Mini	-	-	■	■	■	-	-	-	-	-	-	-
	Midi	-	-	-	■	■	■	■	-	-	-	-	-	-
	Maxi	-	-	-	-	-	■	■	■	-	-	-	-	-
Membrane air dryers LDM1		Mini	-	-	-	-	-	-	-	-	-	-	-	-
	Midi	-	-	-	-	-	-	-	-	-	-	-	-	-
	Maxi	-	-	-	-	-	■	■	■	-	-	-	-	-
Branching modules FRM		Mini	-	-	■	■	■	-	-	-	-	-	-	-
	Midi	-	-	-	■	■	■	■	-	-	-	-	-	-
	Maxi	-	-	-	-	-	■	■	■	-	-	-	-	-
Distributor block FRZ		Mini	-	-	-	-	-	-	-	-	-	-	-	-
	Midi	-	-	-	-	-	-	-	-	-	-	-	-	-
	Maxi	-	-	-	-	-	-	-	-	-	-	-	-	-

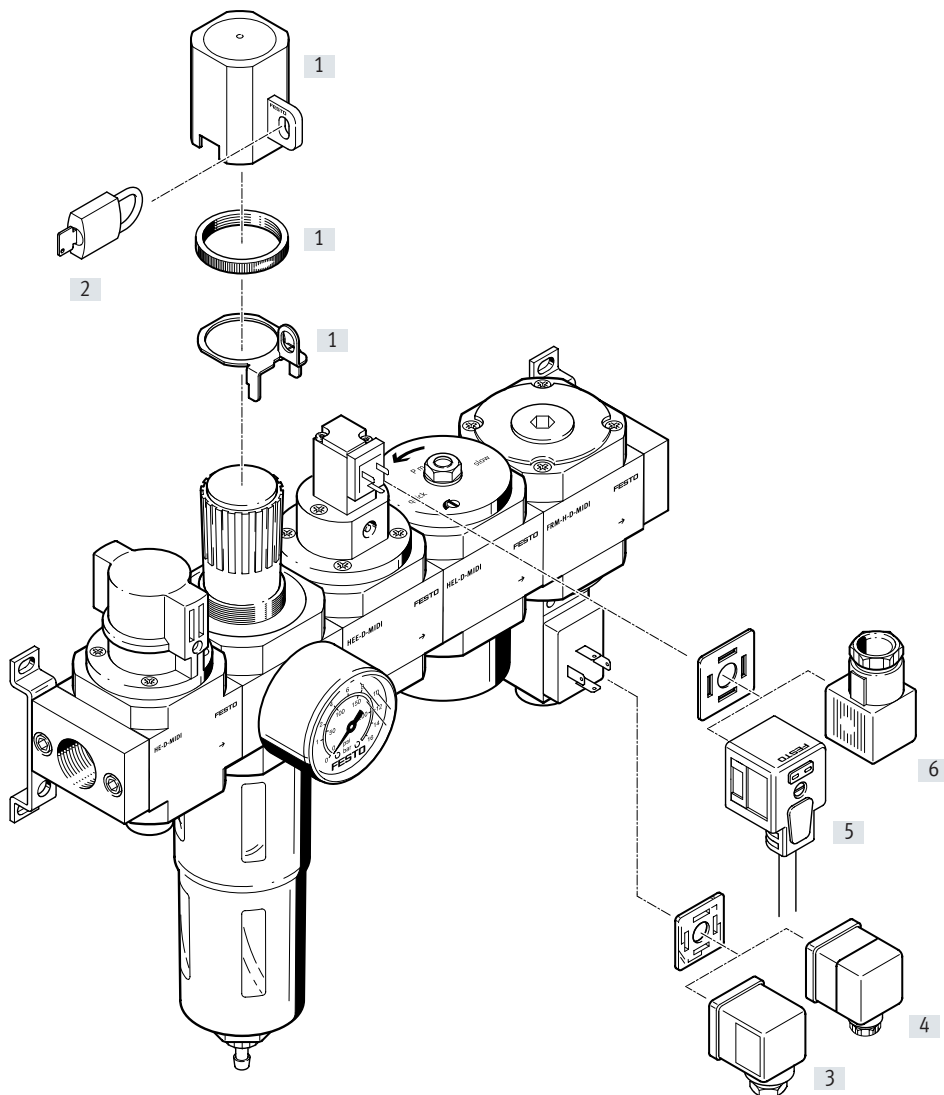
Product range overview – Service unit components, D series, metal

Type	Size	Bowl guard		Pressure indicator		Actuator lock		Supply voltage			Options		→ Page/ Internet
		Metal bowl guard	Plastic bowl	With pressure gauge	Without pressure gauge	Rotary knob with latch	Rotary knob with integrated lock	24 V DC	110 V AC	230 V AC	With non-return function	Pressure switch	
Individual devices													
Pressure regulators LRB/LRBS	Micro	-	-	-	■	■	■	-	-	-	-	-	lrb
	Mini	-	-	-	■	■	■	-	-	-	-	-	
	Midi	-	-	-	-	-	-	-	-	-	-	-	
Pressure regulator manifolds LRB-K	Mini	-	-	-	■	■	-	-	-	-	-	-	lrb
	Midi	-	-	-	■	■	-	-	-	-	-	-	
	Maxi	-	-	-	-	-	-	-	-	-	-	-	
Lubricators LOE	Mini	■	-	-	■	-	-	-	-	-	-	-	loe
	Midi	■	-	-	■	-	-	-	-	-	-	-	
	Maxi	■	-	-	■	-	-	-	-	-	-	-	
On/off valves HE	Mini	-	-	-	■	■	-	-	-	-	-	-	he
	Midi	-	-	-	■	■	-	-	-	-	-	-	
	Maxi	-	-	-	■	■	-	-	-	-	-	-	
On/off valves HEE	Mini	-	-	-	■	-	-	■	■	■	-	-	hee
	Midi	-	-	-	■	-	-	■	■	■	-	-	
	Maxi	-	-	-	■	-	-	■	■	■	-	-	
On/off valves HEP	Mini	-	-	-	■	-	-	-	-	-	-	-	hep
	Midi	-	-	-	■	-	-	-	-	-	-	-	
	Maxi	-	-	-	■	-	-	-	-	-	-	-	
Soft-start valves HEL	Mini	-	-	-	■	-	-	-	-	-	-	-	hel
	Midi	-	-	-	■	-	-	-	-	-	-	-	
	Maxi	-	-	-	■	-	-	-	-	-	-	-	
Membrane air dryers LDM1	Mini	-	-	-	-	-	-	-	-	-	-	-	ldm1
	Midi	-	-	-	-	-	-	-	-	-	-	-	
	Maxi	■	-	-	■	-	-	-	-	-	-	-	
Branching modules FRM	Mini	-	-	-	■	-	-	-	-	-	■	■	frm
	Midi	-	-	-	■	-	-	-	-	-	■	■	
	Maxi	-	-	-	■	-	-	-	-	-	■	■	
Distributor block FRZ	Mini	-	-	-	■	-	-	-	-	-	-	-	frz
	Midi	-	-	-	■	-	-	-	-	-	-	-	
	Maxi	-	-	-	■	-	-	-	-	-	-	-	

Product range overview

LFR Rotary knob with latch	 WTP	 RH	 KC	 KD	 KE	 KF	 KG
Individual devices							
On/off valve Manually operated	-	■	■	-	-	■	■
Filter regulator with pressure gauge	■	■	■	■	■	■	■
Branching module	■	■	-	-	-	-	-
On/off valve Electrically actuated, 24 V DC	-	-	-	■	-	-	■
Soft-start valve Pneumatically actuated	-	-	-	■	-	-	■
Branching module with pressure switch	-	-	-	-	■	■	■
Mounting bracket	■	■	■	■	■	■	■
→ Page/Internet	9	13	17	21	25	29	33

Peripherals overview



Mounting attachments and accessories		→ Page/Internet
[1]	Regulator lock LRVS	lrvs-d
[2]	Padlock LRVS	lrvs-d
[3]	Plug socket MSSD-C	49
[4]	Angled plug socket PEV...-WD-LED	49
[5]	Plug socket with cable KMEB-1	49
[6]	Plug socket MSSD-EB	49
-	Filter cartridge LFP	48

Type codes

001	Series
LFR	Filter regulator

002	Pneumatic connection
1/8	Female thread G1/8
1/4	Female thread G1/4
3/8	Female thread G3/8
1/2	Female thread G1/2
3/4	Female thread G3/4

003	Version
D	D series, metal

004	Function
	Directly actuated pressure regulator (MICRO, MINI, MIDI), pilot actuated pressure regulator (only MAXI)
DI	Directly actuated pressure regulator with integrated return flow function (only MAXI)

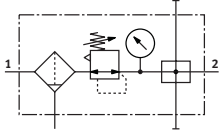
005	Size
MINI	Grid dimension 40 mm (without connecting plates)
MIDI	Grid dimension 55 mm (without connecting plates)
MAXI	Grid dimension 66 mm (without connecting plates)

006	Service unit combination
KB	Filter regulator, branching module, on/off valve manually operated
KA	Filter regulator, branching module
KC	On/off valve manually operated, filter regulator
KG	On/off valve manually operated, filter regulator, on/off valve electrically operated, 24 V DC, soft-start valve pneumatically operated, branching module with pressure switch
KF	On/off valve manually operated, filter regulator, branching module with pressure switch
KE	Filter regulator, branching module, soft-start valve pneumatically operated
KD	Filter regulator, on/off valve electrically operated, 24 V DC, soft-start valve pneumatically operated

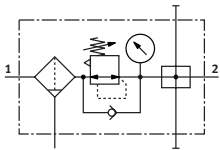
007	Condensate drain
	Manually rotating
A	Fully automatic




Datasheet LFR-KA

LFR...-MINI/MIDI-KA
With condensate drain
Manual

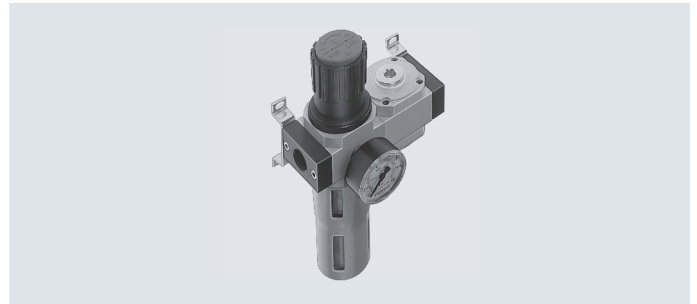


LFR...-MAXI-KA
With condensate drain
Manual



-  Flow rate
720 ... 9400 l/min
-  Temperature range
-10 ... +60°C
-  Operating pressure
0.1 ... 1.6 MPa

 www.festo.com



- For unlubricated compressed air
- Three connections are available
- New filter cartridges → page 48

- Filter regulator LFR
- Branching module FRM
- Mounting accessories

General technical data							
Size	Mini		Midi			Maxi	
Pneumatic connection 1, 2	G1/8	G1/4	G1/4	G3/8	G1/2	G1/2	G3/4
Type of mounting	With accessories In-line installation						
Mounting position	Vertical ±5°						
Grade of filtration [µm]	40						
Air purity class at the output	Compressed air to ISO 8573-1:2010 [7:8:4], (compressed air to ISO 8573-1:2010 [6:8:4]) ¹⁾ Inert gases						
Bowl guard	Metal bowl guard						
Condensate drain	Manual Fully automatic						
Actuator lock	Rotary knob with latch Rotary knob with integrated lock						
Pressure regulation range	[MPa]	0.05 ... 1.2					
	[bar]	0.5 ... 12					
	[psi]	7.25 ... 174					
Max. pressure hysteresis	[MPa]	0.015	0.015	0.025	0.02	0.02	0.03
	[bar]	0.15	0.15	0.25	0.2	0.2	0.3
	[psi]	2.175	2.175	3.625	2.9	2.9	4.35
Pressure indicator	With pressure gauge						
Max. condensate volume [cm ³]	22		43			80 (43) ¹⁾	

1) With the LFR...-D-DI.

† Note: This product conforms to ISO 1179-1 and ISO 228-1.

Standard nominal flow rate q_{n1} ¹⁾ [l/min]							
Connection	Mini		Midi			Maxi	
	G1/8	G1/4	G1/4	G3/8	G1/2	G1/2	G3/4
In main flow direction 1 → 2	720	1140	1850	2620	3050	9200 (5200) ²⁾	9400 (5800) ²⁾

1) Measured at $p_1 = 10$ bar, $p_2 = 6$ bar and $\Delta p = 1$ bar.

2) With the LFR...-D-DI.

† 125 l/min must be available for the fully automatic condensate drain to close correctly.


Datasheet LFR-KA

Operating and environmental conditions		Manual	Fully automatic
Condensate drain			
Operating pressure	[MPa]	0.1 ... 1.6	0.2 ... 1.2
	[bar]	1 ... 16	2 ... 12
	[psi]	14.5 ... 232	29 ... 174
Operating medium		Compressed air to ISO 8573-1:2010 [-:-:-]	
		Inert gases	
Ambient temperature	[°C]	-10 ... +60	
Temperature of medium	[°C]	-10 ... +60	
Corrosion resistance class CRC ¹⁾		2 - Moderate corrosion stress	
LABS (PWIS) conformity		VDMA24364-B1/B2-L	

1) More information www.festo.com/x/topic/crc

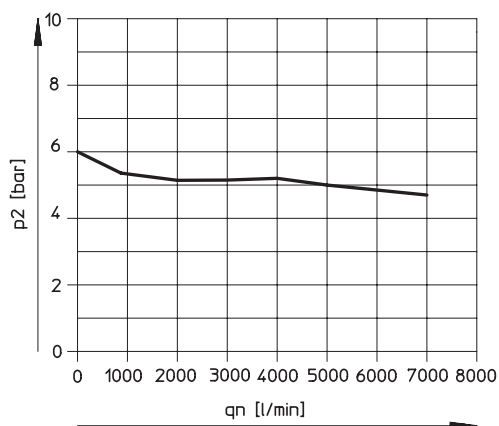
Weight [g]			
Size	Mini	Midi	Maxi
LFR	800	1800	2400 (2600) ¹⁾

1) With the LFR...-D-DI.

 **Note**
Materials → Datasheet for the individual components

Standard flow rate q_n as a function of output pressure p_2

LFR-1/2-D-DI-MAXI-KA(-A)



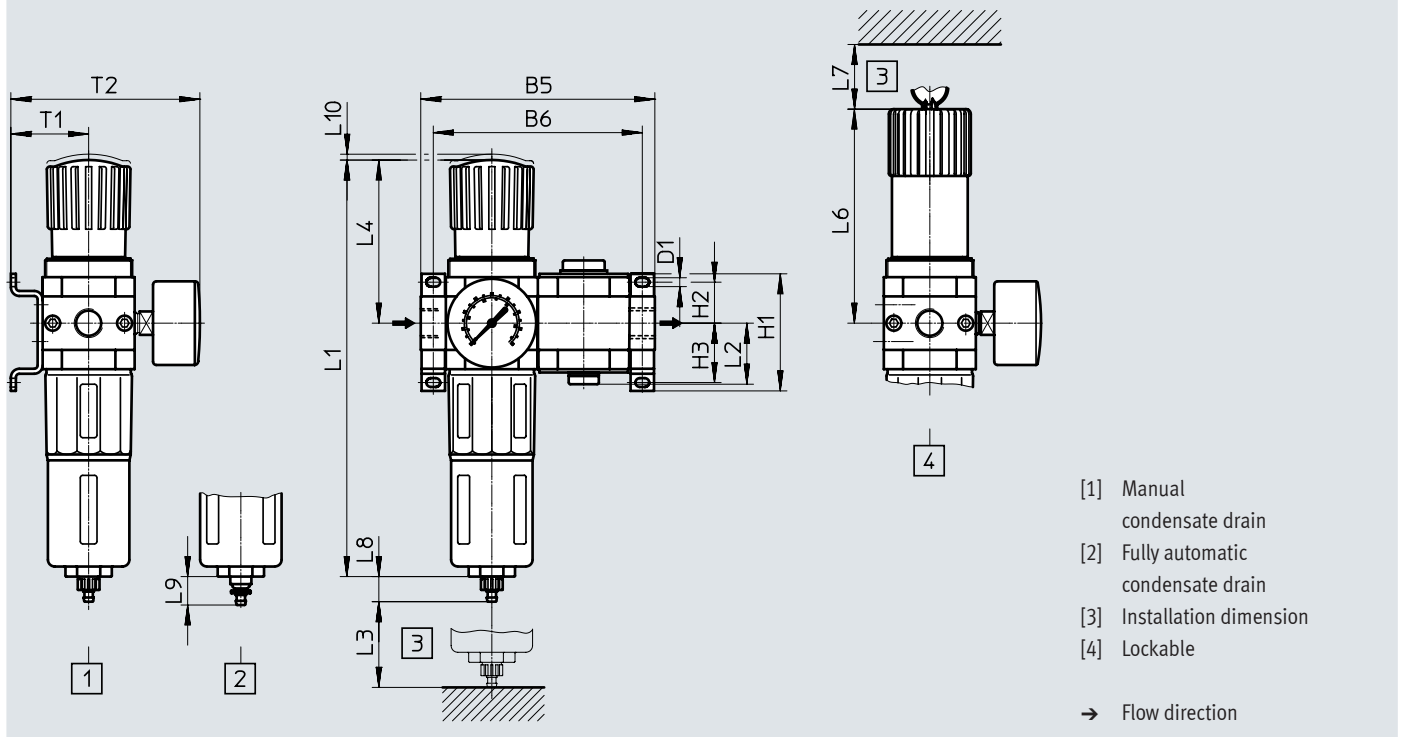
Primary pressure $p_1 = 10$ bar

Datasheet LFR-KA

Dimensions

LFR...-KA

Download CAD data → www.festo.com



Type	B5	B6	D1	H1	H2	H3	L1	L2	L3	L4	L6	L7	L8	L9	L10	T1	T2
Mini																	
LFR...-D-MINI-KA (A)	104	92	4.3	43	17.5	17.5	193	28	60	68	98	60	15	19	3	39	95
Midi																	
LFR...-D-MIDI-KA (A)	140	125	5.3	70	24.5	35.5	250	36.5	80	99	130	60	15	19	3	47	114
Maxi																	
LFR...-D-MAXI-KA (A)	162	146	5.3	70	24.5	35.5	252	42	90	82	111	60	15	19	3	53	126
LFR...-D-DI-MAXI-KA (A)							275			105	135						

† Note: This product conforms to ISO 1179-1 and ISO 228-1.

Datasheet LFR-KA

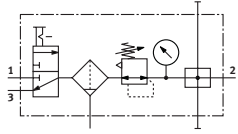
Ordering data

Rotary knob with latch, pressure gauge with outer scale in bar and inner scale in psi

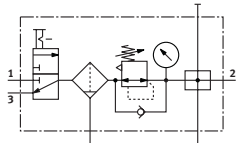
Size	Connection	Condensate drain		Condensate drain	
		Manual		Fully automatic	
		Part no.	Type	Part no.	Type
Mini	G1/8	185707	LFR-1/8-D-MINI-KA	185708	LFR-1/8-D-MINI-KA-A
	G1/4	185709	LFR-1/4-D-MINI-KA	185710	LFR-1/4-D-MINI-KA-A
Midi	G1/4	185711	LFR-1/4-D-MIDI-KA	185712	LFR-1/4-D-MIDI-KA-A
	G3/8	185713	LFR-3/8-D-MIDI-KA	185714	LFR-3/8-D-MIDI-KA-A
	G1/2	185715	LFR-1/2-D-MIDI-KA	185716	LFR-1/2-D-MIDI-KA-A
Maxi	G1/2	186039	LFR-1/2-D-MAXI-KA	186040	LFR-1/2-D-MAXI-KA-A
	G3/4	185717	LFR-3/4-D-MAXI-KA	185718	LFR-3/4-D-MAXI-KA-A
Directly actuated pressure regulator with integrated return flow function					
Maxi	G1/2	192440	LFR-1/2-D-DI-MAXI-KA	192454	LFR-1/2-D-DI-MAXI-KA-A
	G3/4			192461	LFR-3/4-D-DI-MAXI-KA-A

Datasheet LFR-KB

LFR...-MINI/MIDI-KB
With condensate drain
Manual



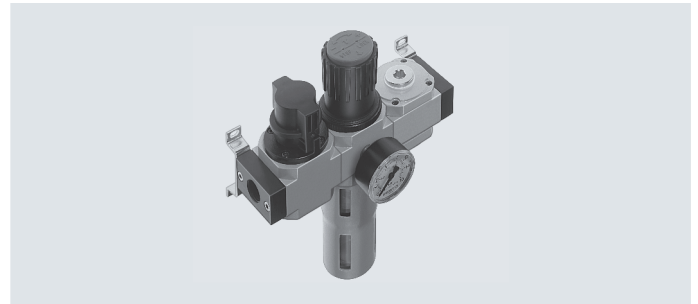
LFR...-MAXI-KB
With condensate drain
Manual



- On/off valve HE, manually operated
- Filter regulator LFR
- Branching module FRM
- Mounting accessories

- Flow rate
700 ... 8400 l/min
- Temperature range
-10 ... +60°C
- Operating pressure
0.1 ... 1.6 MPa

www.festo.com



- For unlubricated compressed air
- The operating pressure can be switched on or off
- Three connections are available
- An additional quick exhaust valve is required at the service unit outlet for safe exhausting of the system
- New filter cartridges → page 48

General technical data		Mini		Midi			Maxi	
Size		G1/8	G1/4	G1/4	G3/8	G1/2	G1/2	G3/4
Pneumatic connection 1, 2		G1/8	G1/4	G1/4	G3/8	G1/2	G1/2	G3/4
Type of mounting		With accessories In-line installation						
Mounting position		Vertical ±5°						
Grade of filtration [µm]		40						
Air purity class at the output		Compressed air to ISO 8573-1:2010 [7:8:4], (compressed air to ISO 8573-1:2010 [6:8:4]) ¹⁾ Inert gases						
Bowl guard		Metal bowl guard						
Condensate drain		Manual Fully automatic						
Actuator lock		Rotary knob with latch Rotary knob with integrated lock						
Pressure regulation range	[MPa]	0.05 ... 1.2						
	[bar]	0.5 ... 12						
	[psi]	7.25 ... 174						
Max. pressure hysteresis	[MPa]	0.02	0.02	0.025	0.035	0.035	0.01	0.02
	[bar]	0.2	0.2	0.25	0.35	0.35	0.1	0.2
	[psi]	2.9	2.9	3.625	5.075	5.075	1.45	2.9
Pressure indicator		With pressure gauge						
Max. condensate volume [cm ³]		22		43			80 (43) ¹⁾	

1) With the LFR...-D-DI.

† Note: This product conforms to ISO 1179-1 and ISO 228-1.

Standard nominal flow rate q_{n1} ¹⁾ [l/min]		Mini		Midi			Maxi	
Connection		G1/8	G1/4	G1/4	G3/8	G1/2	G1/2	G3/4
In main flow direction 1 → 2		700	1050	1720	2420	2920	8000 (5400) ²⁾	8400 (7000) ²⁾

1) Measured at $p_1 = 10$ bar, $p_2 = 6$ bar and $\Delta p = 1$ bar.

2) With the LFR...-D-DI.

† 125 l/min must be available for the fully automatic condensate drain to close correctly.


Datasheet LFR-KB

Operating and environmental conditions		Manual	Fully automatic
Condensate drain			
Operating pressure	[MPa]	0.1 ... 1.6	0.2 ... 1.2
	[bar]	1 ... 16	2 ... 12
	[psi]	14.5 ... 232	29 ... 174
Operating medium		Compressed air to ISO 8573-1:2010 [-:-:-]	
		Inert gases	
Ambient temperature	[°C]	-10 ... +60	
Temperature of medium	[°C]	-10 ... +60	
Corrosion resistance class CRC ¹⁾		2 - Moderate corrosion stress	
LABS (PWIS) conformity		VDMA24364-B1/B2-L	

1) More information www.festo.com/x/topic/crc

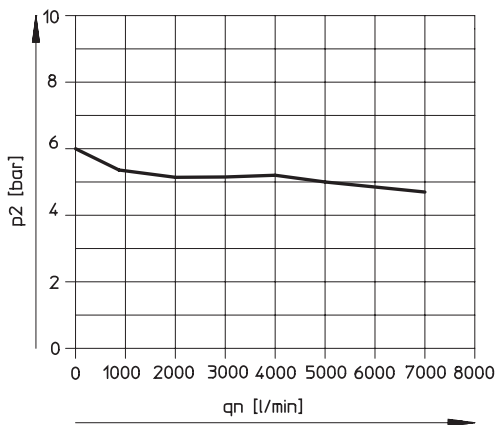
Weight [g]			
Size	Mini	Midi	Maxi
LFR	1000	2200	3300 (3500) ¹⁾

1) With the LFR...-D-DI.

 **Note**
Materials → Datasheet for the individual components

Standard flow rate q_n as a function of output pressure p_2

LFR-1/2-D-DI-MAXI-KB(-A)



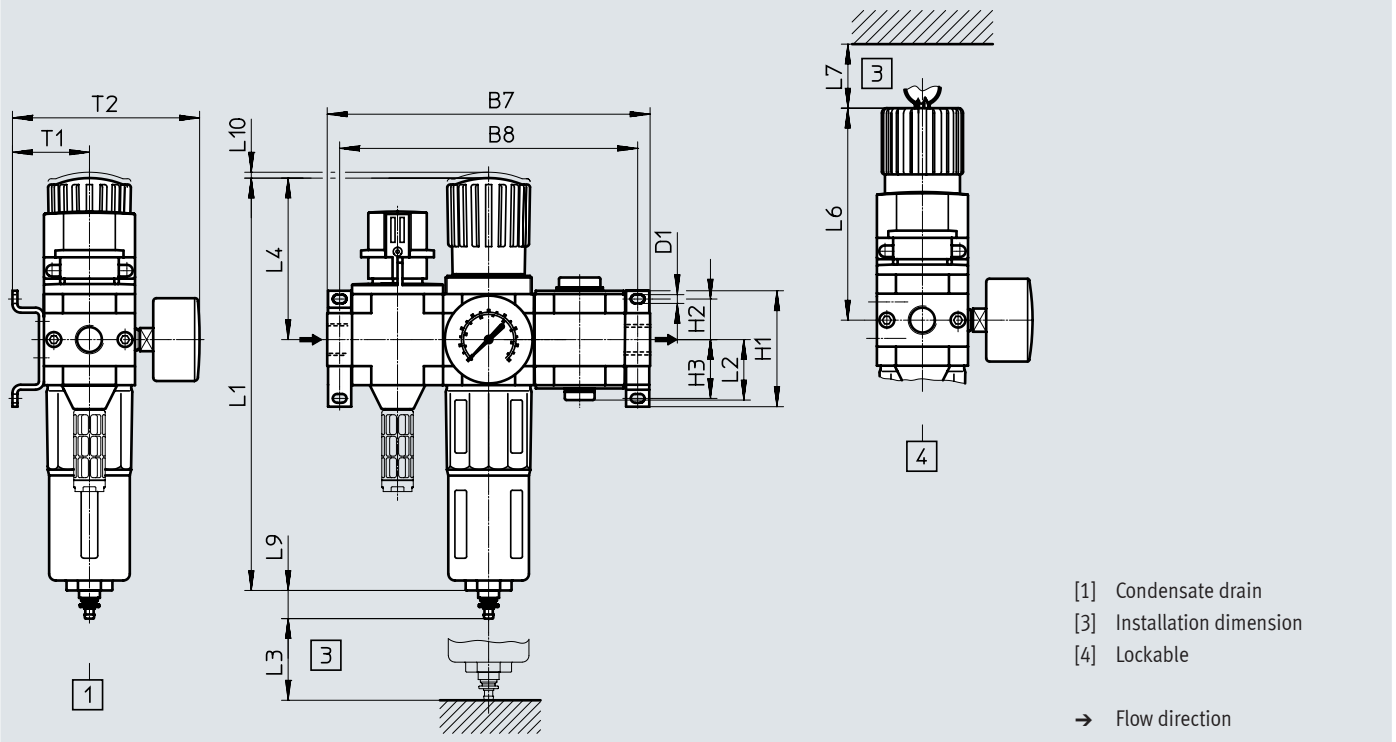
Primary pressure $p_1 = 10$ bar

Datasheet LFR-KB

Dimensions

Download CAD data → www.festo.com

LFR...-KB



Type	B7	B8	D1	H1	H2	H3	L1	L2	L3	L4	L6	L7	L9	L10	T1	T2
Mini																
LFR...-D-MINI-KB (A)	144	132	4.3	43	17.5	17.5	193	28	60	68	98	60	19	3	39	95
Midi																
LFR...-D-MIDI-KB (A)	195	180	5.3	70	24.5	35.5	250	36.5	80	99	130	60	19	3	47	114
Maxi																
LFR...-D-MAXI-KB (A)	228	212	5.3	70	24.5	35.5	252	42	90	82	111	60	19	3	53	126
LFR...-D-DI-MAXI-KB (A)							275			105	135					

Note: This product conforms to ISO 1179-1 and ISO 228-1.

Datasheet LFR-KB

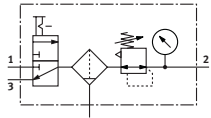
Ordering data

Rotary knob with latch, pressure gauge with outer scale in bar and inner scale in psi

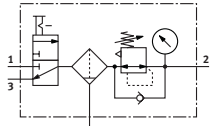
Size	Connection	Condensate drain Manual		Condensate drain Fully automatic	
		Part no.	Type	Part no.	Type
Mini	G1/8	185719	LFR-1/8-D-MINI-KB	185720	LFR-1/8-D-MINI-KB-A
	G1/4	185721	LFR-1/4-D-MINI-KB	185722	LFR-1/4-D-MINI-KB-A
Midi	G1/4	185723	LFR-1/4-D-MIDI-KB	185724	LFR-1/4-D-MIDI-KB-A
	G3/8	185725	LFR-3/8-D-MIDI-KB	185726	LFR-3/8-D-MIDI-KB-A
	G1/2	185727	LFR-1/2-D-MIDI-KB	185728	LFR-1/2-D-MIDI-KB-A
Maxi	G1/2	186041	LFR-1/2-D-MAXI-KB	186042	LFR-1/2-D-MAXI-KB-A
	G3/4	185729	LFR-3/4-D-MAXI-KB	185730	LFR-3/4-D-MAXI-KB-A
Directly actuated pressure regulator with integrated return flow function					
Maxi	G1/2	192441	LFR-1/2-D-DI-MAXI-KB	192455	LFR-1/2-D-DI-MAXI-KB-A
	G3/4	192448	LFR-3/4-D-DI-MAXI-KB	192462	LFR-3/4-D-DI-MAXI-KB-A

Datasheet LFR-KC

LFR...-MINI/MIDI-KC
With condensate drain
Manual



LFR...-MAXI-KC
With condensate drain
Manual



- On/off valve HE, manually operated
- Filter regulator LFR
- Mounting accessories

- Flow rate
750 ... 8400 l/min
- Temperature range
-10 ... +60°C
- Operating pressure
0.1 ... 1.6 MPa
- www.festo.com



- For unlubricated compressed air
- The operating pressure can be switched on or off
- An additional quick exhaust valve is required at the service unit outlet for safe exhausting of the system
- New filter cartridges → page 48

General technical data		Mini		Midi			Maxi	
Size								
Pneumatic connection 1, 2		G1/8	G1/4	G1/4	G3/8	G1/2	G1/2	G3/4
Type of mounting		With accessories						
		In-line installation						
Mounting position		Vertical ±5°						
Grade of filtration	[µm]	40						
Air purity class at the output		Compressed air to ISO 8573-1:2010 [7:8:4], (compressed air to ISO 8573-1:2010 [6:8:4]) ¹⁾						
		Inert gases						
Bowl guard		Metal bowl guard						
Condensate drain		Manual						
		Fully automatic						
Actuator lock		Rotary knob with latch						
		Rotary knob with integrated lock						
Pressure regulation range	[MPa]	0.05 ... 1.2						
	[bar]	0.5 ... 12						
	[psi]	7.25 ... 174						
Max. pressure hysteresis	[MPa]	0.02						
	[bar]	0.2						
	[psi]	2.9						
Pressure indicator		With pressure gauge						
Max. condensate volume	[cm ³]	22		43			80 (43) ¹⁾	

1) With the LFR...-D-DI.

† Note: This product conforms to ISO 1179-1 and ISO 228-1.

Standard nominal flow rate q_{n1} ¹⁾ [l/min]		Mini		Midi			Maxi	
Connection								
		G1/8	G1/4	G1/4	G3/8	G1/2	G1/2	G3/4
In main flow direction 1 → 2		750	1150	1900	2700	3150	8100 (4800) ²⁾	8400 (5400) ²⁾

1) Measured at $p_1 = 10$ bar, $p_2 = 6$ bar and $\Delta p = 1$ bar.

2) With the LFR...-D-DI.

† 125 l/min must be available for the fully automatic condensate drain to close correctly.


Datasheet LFR-KC

Operating and environmental conditions		Manual	Fully automatic
Condensate drain			
Operating pressure	[MPa]	0.1 ... 1.6	0.2 ... 1.2
	[bar]	1 ... 16	2 ... 12
	[psi]	14.5 ... 232	29 ... 174
Operating medium		Compressed air to ISO 8573-1:2010 [-:-:-]	
		Inert gases	
Ambient temperature	[°C]	-10 ... +60	
Temperature of medium	[°C]	-10 ... +60	
Corrosion resistance class CRC ¹⁾		2 - Moderate corrosion stress	
LABS (PWIS) conformity		VDMA24364-B1/B2-L	

1) More information www.festo.com/x/topic/crc

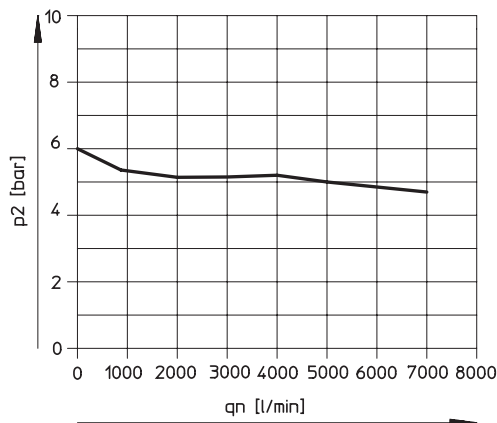
Weight [g]			
Size	Mini	Midi	Maxi
LFR	700	1600	2300 (2600) ¹⁾

1) With the LFR...-D-DI.

 **Note**
Materials → Datasheet for the individual components

Standard flow rate q_n as a function of output pressure p_2

LFR-1/2-D-DI-MAXI-KC(-A)



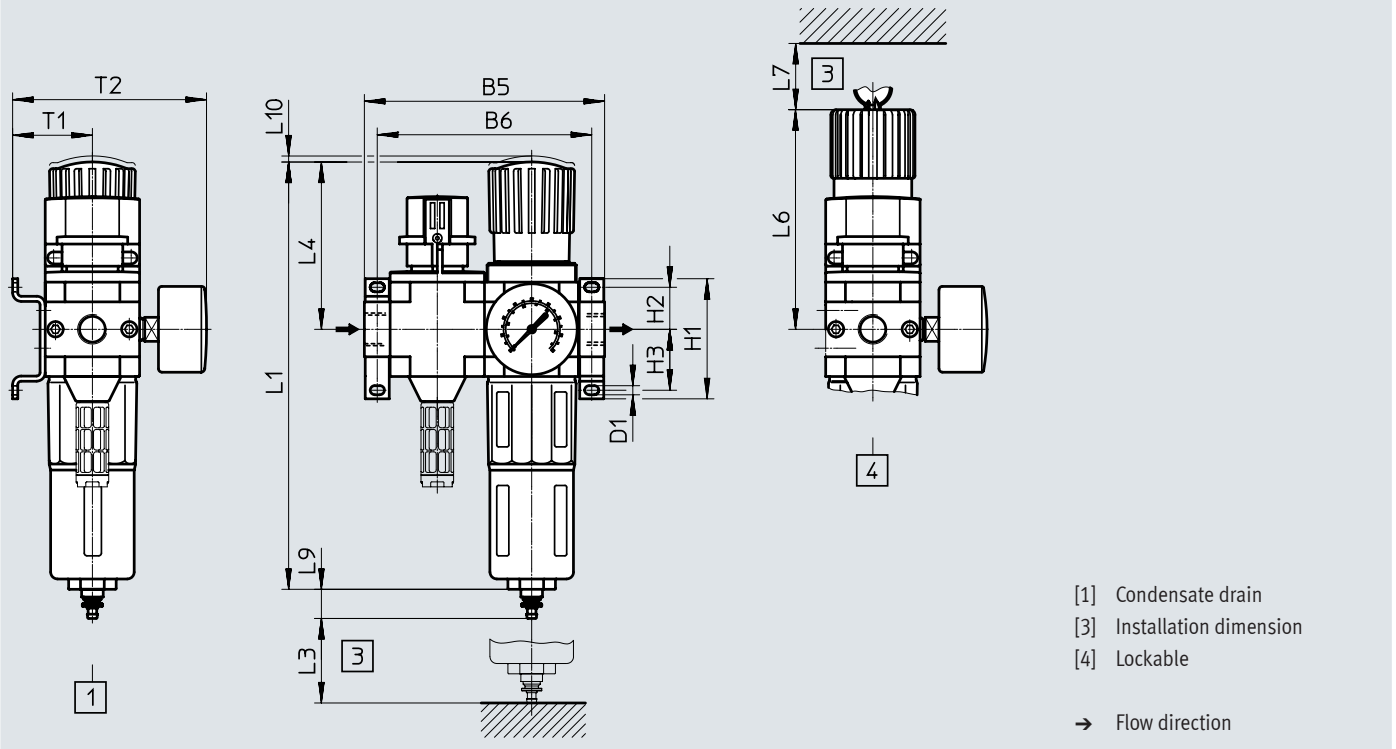
Primary pressure $p_1 = 10$ bar

Datasheet LFR-KC

Dimensions

LFR...-KC

Download CAD data → www.festo.com



- [1] Condensate drain
- [3] Installation dimension
- [4] Lockable

→ Flow direction

Type	B5	B6	D1	H1	H2	H3	L1	L3	L4	L6	L7	L9	L10	T1	T2
Mini															
LFR...-D-MINI-KC (A)	104	92	4.3	43	17.5	17.5	193	60	68	98	60	19	3	39	95
Midi															
LFR...-D-MIDI-KC (A)	140	125	5.3	70	24.5	35.5	250	80	99	130	60	19	3	47	114
Maxi															
LFR...-D-MAXI-KC (A)	162	146	5.3	70	24.5	35.5	252	90	82	111	60	19	3	53	126
LFR...-D-DI-MAXI-KC (A)							275		105	135					

Note: This product conforms to ISO 1179-1 and ISO 228-1.

Datasheet LFR-KC

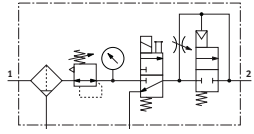
Ordering data

Rotary knob with latch, pressure gauge with outer scale in bar and inner scale in psi

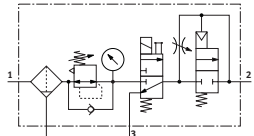
Size	Connection	Condensate drain		Condensate drain	
		Manual		Fully automatic	
		Part no.	Type	Part no.	Type
Mini	G1/8	185731	LFR-1/8-D-MINI-KC	185732	LFR-1/8-D-MINI-KC-A
	G1/4	185733	LFR-1/4-D-MINI-KC	185734	LFR-1/4-D-MINI-KC-A
Midi	G1/4	185735	LFR-1/4-D-MIDI-KC	185736	LFR-1/4-D-MIDI-KC-A
	G3/8	185737	LFR-3/8-D-MIDI-KC	185738	LFR-3/8-D-MIDI-KC-A
	G1/2	185739	LFR-1/2-D-MIDI-KC	185740	LFR-1/2-D-MIDI-KC-A
Maxi	G1/2	186043	LFR-1/2-D-MAXI-KC	186044	LFR-1/2-D-MAXI-KC-A
	G3/4	185741	LFR-3/4-D-MAXI-KC	185742	LFR-3/4-D-MAXI-KC-A
Directly actuated pressure regulator with integrated return flow function					
Maxi	G1/2	192442	LFR-1/2-D-DI-MAXI-KC	192456	LFR-1/2-D-DI-MAXI-KC-A
	G3/4	192449	LFR-3/4-D-DI-MAXI-KC	192463	LFR-3/4-D-DI-MAXI-KC-A




Datasheet LFR-KD

LFR...-MINI/MIDI-KD
With condensate drain
Manual



LFR...-MAXI-KD
With condensate drain
Manual



-  Flow rate
595 ... 5000 l/min
-  Temperature range
-10 ... +60°C
-  Operating pressure
0.3 ... 1.6 MPa

 www.festo.com



- For unlubricated compressed air
- When the unit is switched off, quick exhausting ensures rapid pressure reduction
- Gradual pressure build-up at switch-on prevents sudden, unpredictable movements
- New filter cartridges → page 48

- Filter regulator LFR
- On/off valve HEE, electrically actuated, 24 V DC
- Soft-start valve HEL, pneumatically actuated
- Mounting accessories

General technical data		Mini		Midi			Maxi	
Size		G1/8	G1/4	G1/4	G3/8	G1/2	G1/2	G3/4
Pneumatic connection 1, 2		G1/8	G1/4	G1/4	G3/8	G1/2	G1/2	G3/4
Type of mounting		With accessories In-line installation						
Mounting position		Vertical ±5°						
Grade of filtration [µm]		40						
Air purity class at the output		Compressed air to ISO 8573-1:2010 [7:8:4], (compressed air to ISO 8573-1:2010 [6:8:4]) ¹⁾ Inert gases						
Bowl guard		Metal bowl guard						
Condensate drain		Manual Fully automatic						
Actuator lock		Rotary knob with latch Rotary knob with integrated lock						
Pressure regulation range	[MPa]	0.25 ... 1.2						
	[bar]	2.5 ... 12						
	[psi]	36.25 ... 174						
Max. pressure hysteresis	[MPa]	0.015	0.015	0.025	0.025	0.025	0.03	0.02
	[bar]	0.15	0.15	0.25	0.25	0.25	0.3	0.2
	[psi]	2.175	2.175	3.625	3.625	3.625	4.35	2.9
Pressure indicator		With pressure gauge						
Max. condensate volume [cm ³]		22		43			80 (43) ¹⁾	

1) With the LFR...-D-DI.

† Note: This product conforms to ISO 1179-1 and ISO 228-1.

Standard nominal flow rate $q_{n1}^{1)}$ [l/min]		Mini		Midi			Maxi	
Connection		G1/8	G1/4	G1/4	G3/8	G1/2	G1/2	G3/4
In main flow direction 1 → 2		595	730	1440	1890	2000	4300 (3000) ²⁾	5000 (2800) ²⁾

1) Measured at $p_1 = 10$ bar, $p_2 = 6$ bar and $\Delta p = 1$ bar.

2) With the LFR...-D-DI.

† 125 l/min must be available for the fully automatic condensate drain to close correctly.


Datasheet LFR-KD

Operating and environmental conditions		Manual	Fully automatic
Condensate drain			
Operating pressure	[MPa]	0.3 ... 1.6	0.3 ... 1.2
	[bar]	3 ... 16	3 ... 12
	[psi]	43.5 ... 232	43.5 ... 174
Operating medium		Compressed air to ISO 8573-1:2010 [-:-:-]	
		Inert gases	
Ambient temperature	[°C]	-10 ... +60	
Temperature of medium	[°C]	-10 ... +60	
Corrosion resistance class CRC ¹⁾		2 - Moderate corrosion stress	
LABS (PWIS) conformity		VDMA24364-B1/B2-L	

1) More information www.festo.com/x/topic/crc

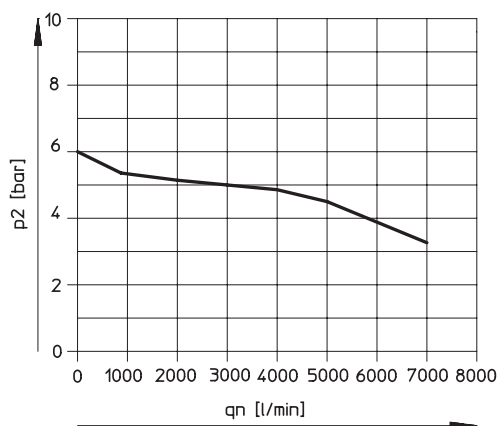
Weight [g]			
Size	Mini	Midi	Maxi
LFR	900	2100	3100 (3300) ¹⁾

1) With the LFR...-D-DI.

 **Note**
Materials → Datasheet for the individual components

Standard flow rate q_n as a function of output pressure p_2

LFR-1/2-D-DI-MAXI-KD(-A)



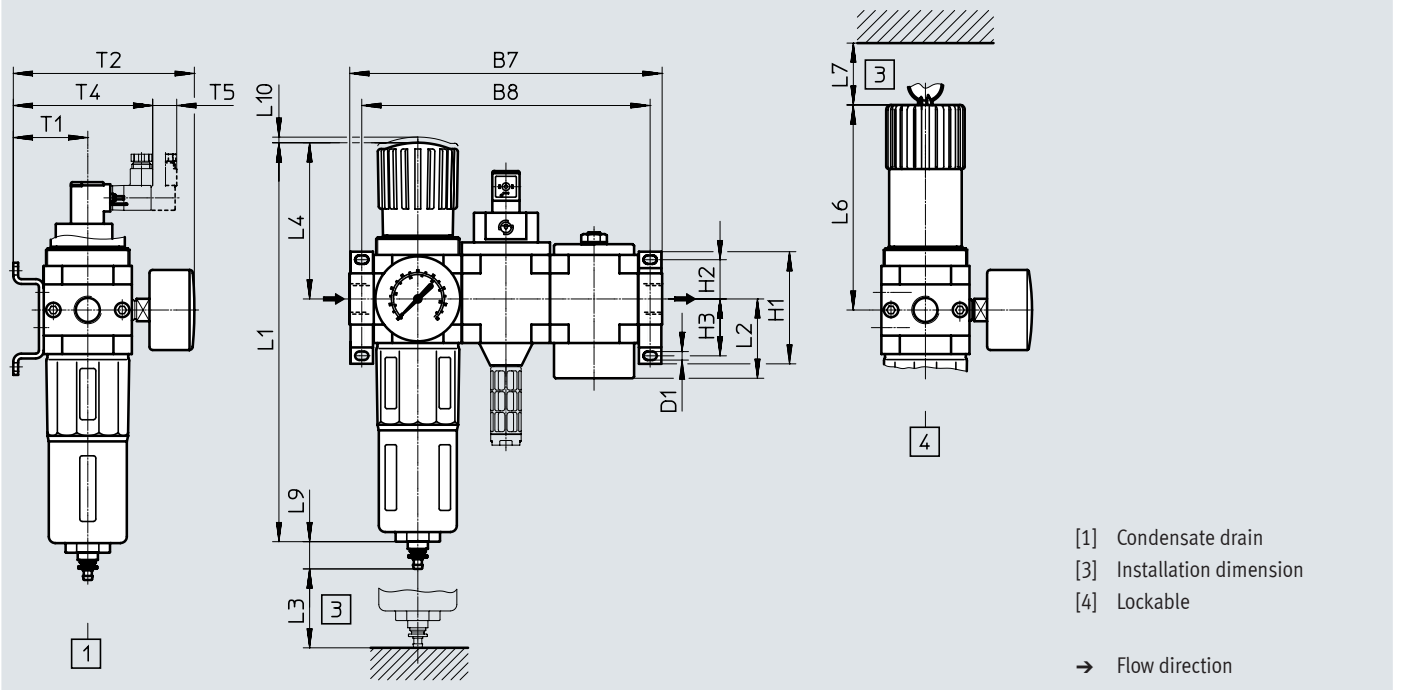
Primary pressure $p_1 = 10$ bar

Datasheet LFR-KD

Dimensions

Download CAD data → www.festo.com

LFR...-KD



- [1] Condensate drain
- [3] Installation dimension
- [4] Lockable

→ Flow direction

Type	B7	B8	D1	H1	H2	H3	L1	L2	L3	L4	L6	L7	L9	L10	T1	T2	T4	T5	
Mini																			
LFR...-D-MINI-KD (A)	144	132	4.3	43	17.5	17.5	193	36	60	68	98	60	19	3	39	95	78	15	
Midi																			
LFR...-D-MIDI-KD (A)	195	180	5.3	70	24.5	35.5	250	49.5	80	99	130	60	19	3	47	114	86	15	
Maxi																			
LFR...-D-MAXI-KD (A)	228	212	5.3	70	24.5	35.5	252	56.4	90	82	111	60	19	3	53	126	92	15	
LFR...-D-DI-MAXI-KD (A)							275			105	135								

† Note: This product conforms to ISO 1179-1 and ISO 228-1.

Datasheet LFR-KD

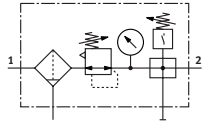
Ordering data

Rotary knob with latch, pressure gauge with outer scale in bar and inner scale in psi

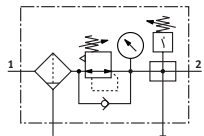
Size	Connection	Condensate drain Manual		Condensate drain Fully automatic	
		Part no.	Type	Part no.	Type
Mini	G1/8	185743	LFR-1/8-D-MINI-KD	185744	LFR-1/8-D-MINI-KD-A
	G1/4	185745	LFR-1/4-D-MINI-KD	185746	LFR-1/4-D-MINI-KD-A
Midi	G1/4	185747	LFR-1/4-D-MIDI-KD	185748	LFR-1/4-D-MIDI-KD-A
	G3/8	185749	LFR-3/8-D-MIDI-KD	185750	LFR-3/8-D-MIDI-KD-A
	G1/2	185751	LFR-1/2-D-MIDI-KD	185752	LFR-1/2-D-MIDI-KD-A
Maxi	G1/2	186045	LFR-1/2-D-MAXI-KD	186046	LFR-1/2-D-MAXI-KD-A
	G3/4	185753	LFR-3/4-D-MAXI-KD	185754	LFR-3/4-D-MAXI-KD-A
Directly actuated pressure regulator with integrated return flow function					
Maxi	G1/2	192443	LFR-1/2-D-DI-MAXI-KD	192457	LFR-1/2-D-DI-MAXI-KD-A
	G3/4	192450	LFR-3/4-D-DI-MAXI-KD		




Datasheet LFR-KE

LFR...-MINI/MIDI-KE
With condensate drain
Manual

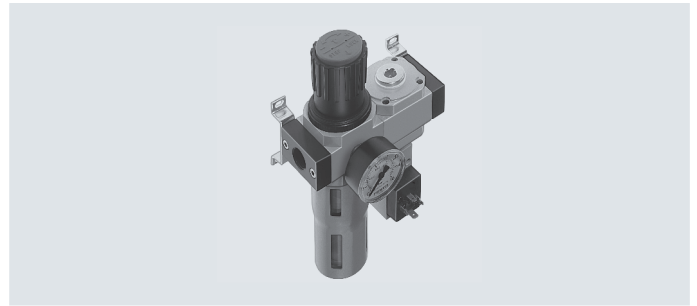


LFR...-MAXI-KE
With condensate drain
Manual



-  Flow rate
720 ... 9400 l/min
-  Temperature range
-10 ... +60°C
-  Operating pressure
0.1 ... 1.6 MPa

 www.festo.com



- For unlubricated compressed air
- Two branch connections are available
- Electrical pressure monitoring with adjustable switching pressure
- New filter cartridges → page 48

- Filter regulator LFR
- Branching module FRM with pressure switch
- Mounting accessories

General technical data		Mini		Midi			Maxi	
Size		G1/8	G1/4	G1/4	G3/8	G1/2	G1/2	G3/4
Pneumatic connection 1, 2		G1/8	G1/4	G1/4	G3/8	G1/2	G1/2	G3/4
Type of mounting		With accessories In-line installation						
Mounting position		Vertical ±5°						
Grade of filtration [µm]		40						
Air purity class at the output		Compressed air to ISO 8573-1:2010 [7:8:4], (compressed air to ISO 8573-1:2010 [6:8:4]) ¹⁾ Inert gases						
Bowl guard		Metal bowl guard						
Condensate drain		Manual Fully automatic						
Actuator lock		Rotary knob with latch Rotary knob with integrated lock						
Pressure regulation range	[MPa]	0.05 ... 1.2						
	[bar]	0.5 ... 12						
	[psi]	7.25 ... 174						
Max. pressure hysteresis	[MPa]	0.015	0.015	0.025	0.02	0.02	0.02	0.03
	[bar]	0.15	0.15	0.25	0.2	0.2	0.2	0.3
	[psi]	2.175	2.175	3.625	2.9	2.9	2.9	4.35
Pressure indicator		With pressure gauge						
Max. condensate volume [cm ³]		22		43			80 (43) ¹⁾	

1) With the LFR...-D-DI.

† Note: This product conforms to ISO 1179-1 and ISO 228-1.

Standard nominal flow rate q_{n1} ¹⁾ [l/min]		Mini		Midi			Maxi	
Connection		G1/8	G1/4	G1/4	G3/8	G1/2	G1/2	G3/4
In main flow direction 1 → 2		720	1140	1850	2620	3050	9200 (5000) ²⁾	9400 (6000) ²⁾

1) Measured at p₁ = 10 bar, p₂ = 6 bar and Δp = 1 bar.

2) With the LFR...-D-DI.

† 125 l/min must be available for the fully automatic condensate drain to close correctly.

Datasheet LFR-KE

Operating and environmental conditions		Manual	Fully automatic
Condensate drain			
Operating pressure	[MPa]	0.1 ... 1.6	0.2 ... 1.2
	[bar]	1 ... 16	2 ... 12
	[psi]	14.5 ... 232	29 ... 174
Operating medium		Compressed air to ISO 8573-1:2010 [-:-:-]	
		Inert gases	
Ambient temperature	[°C]	-10 ... +60	
Temperature of medium	[°C]	-10 ... +60	
Corrosion resistance class CRC ¹⁾		2 - Moderate corrosion stress	
LABS (PWIS) conformity		VDMA24364-B1/B2-L	

1) More information www.festo.com/x/topic/crc

Weight [g]			
Size	Mini	Midi	Maxi
LFR	1000	2000	2400 (2600) ¹⁾

1) With the LFR...-D-DI.

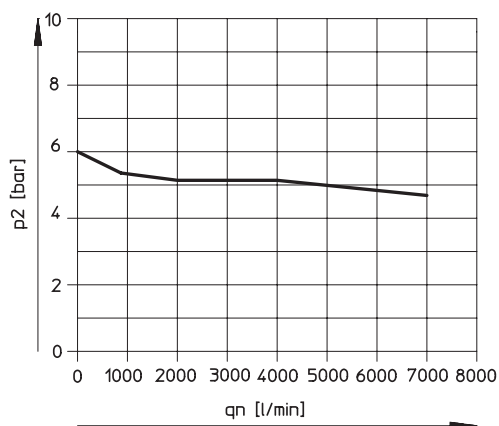


Note

Materials → Datasheet for the individual components

Standard flow rate q_n as a function of output pressure p_2

LFR-1/2-D-DI-MAXI-KE(-A)



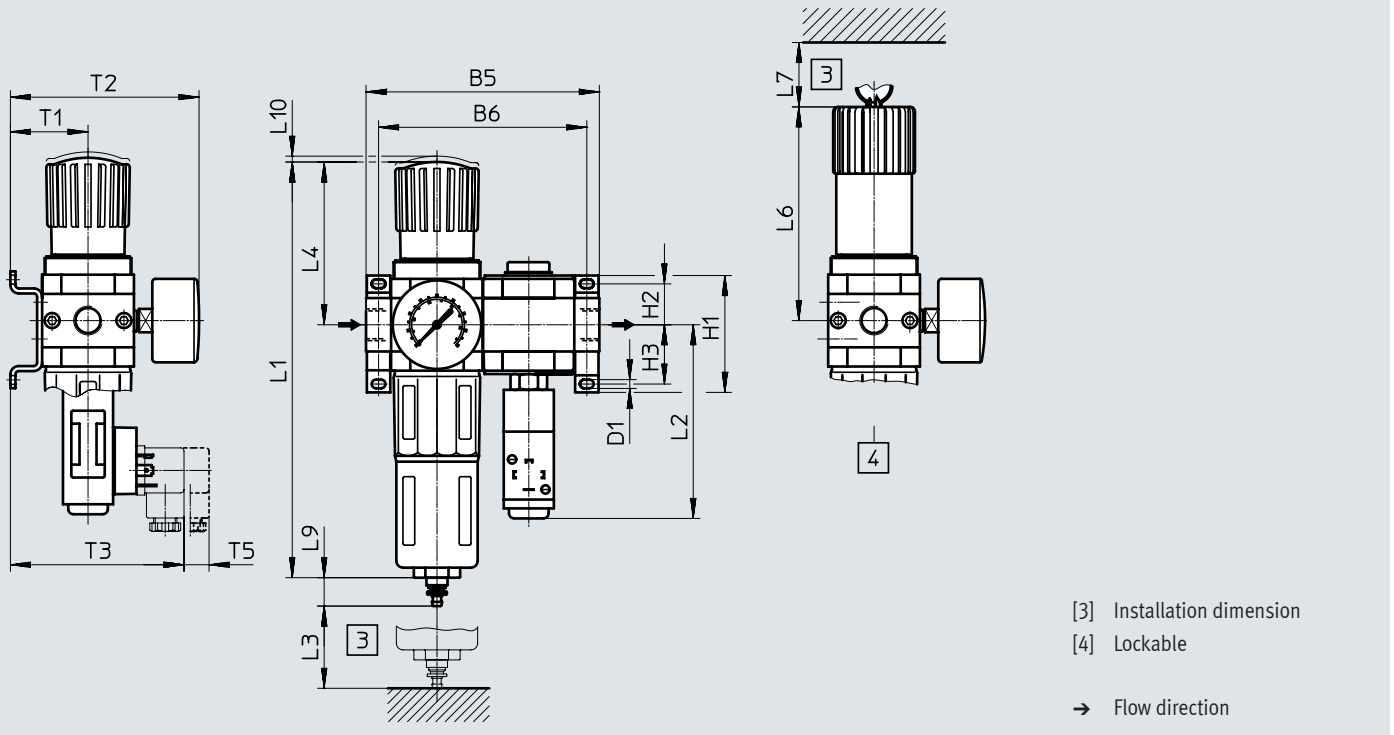
Primary pressure $p_1 = 10$ bar

Datasheet LFR-KE

Dimensions

LFR...-KE

Download CAD data → www.festo.com



Type	B5	B6	D1	H1	H2	H3	L1	L2	L3	L4	L6	L7	L9	L10	T1	T2	T3	T5	
Mini																			
LFR...-D-MINI-KE (A)	104	92	4.3	43	17.5	17.5	193	108	60	68	98	60	19	3	39	95	97	15	
Midi																			
LFR...-D-MIDI-KE (A)	140	125	5.3	70	24.5	35.5	250	117	80	99	130	60	19	3	47	114	109	15	
Maxi																			
LFR...-D-MAXI-KE (A)	162	146	5.3	70	24.5	35.5	252	122	90	82	111	60	19	3	53	126	111	15	
LFR...-D-DI-MAXI-KE (A)							275			105	135								

Note: This product conforms to ISO 1179-1 and ISO 228-1.

Datasheet LFR-KE

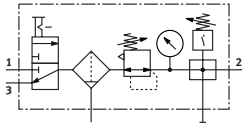
Ordering data

Rotary knob with latch, pressure gauge with outer scale in bar and inner scale in psi

Size	Connection	Condensate drain		Condensate drain	
		Manual		Fully automatic	
		Part no.	Type	Part no.	Type
Mini	G1/8	185755	LFR-1/8-D-MINI-KE	185756	LFR-1/8-D-MINI-KE-A
	G1/4	185757	LFR-1/4-D-MINI-KE	185758	LFR-1/4-D-MINI-KE-A
Midi	G1/4	185759	LFR-1/4-D-MIDI-KE	185760	LFR-1/4-D-MIDI-KE-A
	G3/8	185761	LFR-3/8-D-MIDI-KE	185762	LFR-3/8-D-MIDI-KE-A
	G1/2	185763	LFR-1/2-D-MIDI-KE	185764	LFR-1/2-D-MIDI-KE-A
Maxi	G1/2	186047	LFR-1/2-D-MAXI-KE	186048	LFR-1/2-D-MAXI-KE-A
	G3/4	185765	LFR-3/4-D-MAXI-KE	185766	LFR-3/4-D-MAXI-KE-A
Directly actuated pressure regulator with integrated return flow function					
Maxi	G1/2	192444	LFR-1/2-D-DI-MAXI-KE	192458	LFR-1/2-D-DI-MAXI-KE-A
	G3/4			192465	LFR-3/4-D-DI-MAXI-KE-A

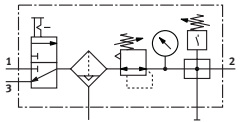
Datasheet LFR-KF

LFR...-MINI/MIDI-KF
With condensate drain
Manual

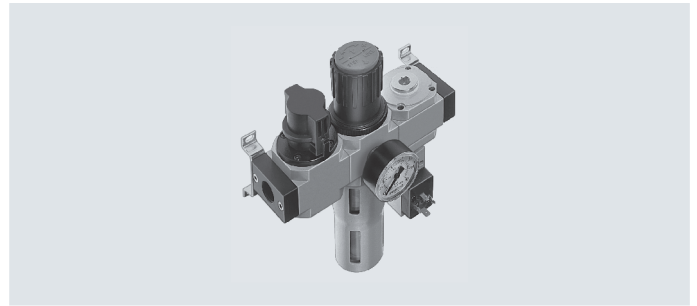


- Flow rate
700 ... 8400 l/min
- Temperature range
-10 ... +60°C
- Operating pressure
0.1 ... 1.6 MPa

LFR...-MAXI-KF
With condensate drain
Manual



www.festo.com



- For unlubricated compressed air
- The operating pressure can be switched on or off
- Two branch connections are available
- Electrical pressure monitoring with adjustable switching pressure
- An additional quick exhaust valve is required at the service unit outlet for safe exhausting of the system
- New filter cartridges → page 48

- On/off valve HE, manually operated
- Filter regulator LFR
- Branching module FRM with pressure switch
- Mounting accessories

General technical data		Mini		Midi			Maxi	
Size		G1/8	G1/4	G1/4	G3/8	G1/2	G1/2	G3/4
Pneumatic connection 1, 2		G1/8	G1/4	G1/4	G3/8	G1/2	G1/2	G3/4
Type of mounting		With accessories In-line installation						
Mounting position		Vertical ±5°						
Grade of filtration [µm]		40						
Air purity class at the output		Compressed air to ISO 8573-1:2010 [7:8:4], (compressed air to ISO 8573-1:2010 [6:8:4]) ¹⁾ Inert gases						
Bowl guard		Metal bowl guard						
Condensate drain		Manual Fully automatic						
Actuator lock		Rotary knob with latch Rotary knob with integrated lock						
Pressure regulation range	[MPa]	0.05 ... 1.2						
	[bar]	0.5 ... 12						
	[psi]	7.25 ... 174						
Max. pressure hysteresis	[MPa]	0.02	0.02	0.025	0.03	0.025	0.02	0.02
	[bar]	0.2	0.2	0.25	0.3	0.25	0.2	0.2
	[psi]	2.9	2.9	3.625	4.35	3.625	2.9	2.9
Pressure indicator		With pressure gauge						
Max. condensate volume [cm ³]		22			43		80 (43) ¹⁾	

1) With the LFR...-D-DI.

† Note: This product conforms to ISO 1179-1 and ISO 228-1.

Connection	Mini		Midi			Maxi	
	G1/8	G1/4	G1/4	G3/8	G1/2	G1/2	G3/4
In main flow direction 1 → 2	700	1050	1720	2420	2920	8000 (5000) ²⁾	8400 (6000) ²⁾

1) Measured at p₁ = 10 bar, p₂ = 6 bar and Δp = 1 bar.

2) With the LFR...-D-DI.

† 125 l/min must be available for the fully automatic condensate drain to close correctly.


Datasheet LFR-KF

Operating and environmental conditions		Manual	Fully automatic
Condensate drain			
Operating pressure	[MPa]	0.1 ... 1.6	0.2 ... 1.2
	[bar]	1 ... 16	2 ... 12
	[psi]	14.5 ... 232	29 ... 174
Operating medium		Compressed air to ISO 8573-1:2010 [-:-:-]	
		Inert gases	
Ambient temperature	[°C]	-10 ... +60	
Temperature of medium	[°C]	-10 ... +60	
Corrosion resistance class CRC ¹⁾		2 - Moderate corrosion stress	
LABS (PWIS) conformity		VDMA24364-B1/B2-L	

1) More information www.festo.com/x/topic/crc

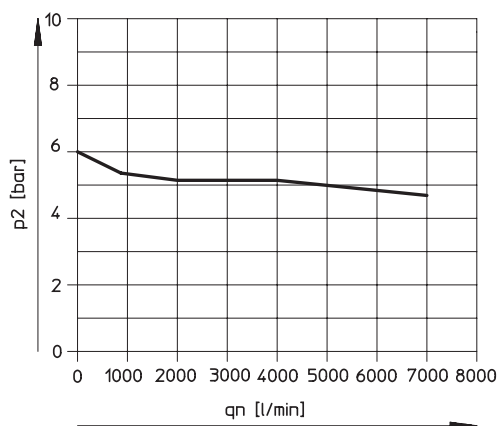
Weight [g]			
Size	Mini	Midi	Maxi
LFR	1200	2400	3300 (3500) ¹⁾

1) With the LFR...-D-DI.

 **Note**
Materials → Datasheet for the individual components

Standard flow rate q_n as a function of output pressure p_2

LFR-1/2-D-DI-MAXI-KF(-A)



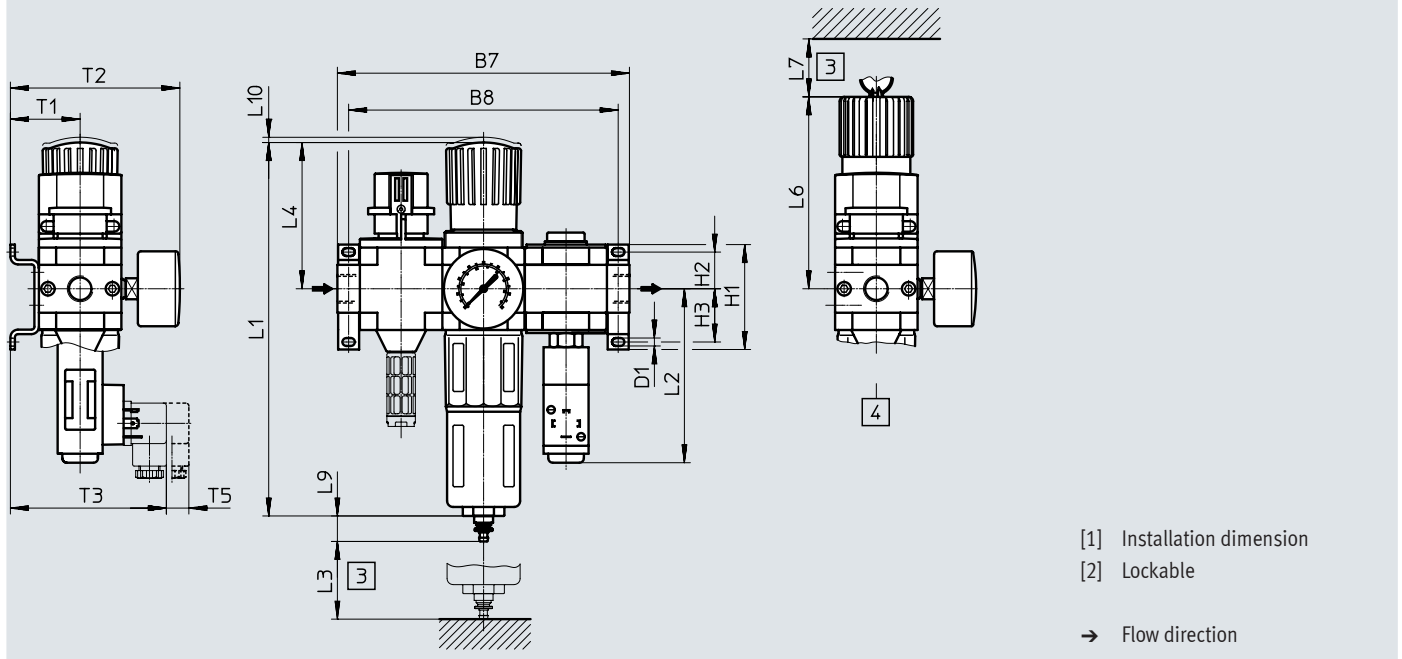
Primary pressure $p_1 = 10$ bar

Datasheet LFR-KF

Dimensions

LFR...-KF

Download CAD data → www.festo.com



Type	B7	B8	D1	H1	H2	H3	L1	L2	L3	L4	L6	L7	L9	L10	T1	T2	T3	T5
Mini																		
LFR...-D-MINI-KF (A)	144	132	4.3	43	17.5	17.5	193	108	60	68	98	60	19	3	39	95	97	15
Midi																		
LFR...-D-MIDI-KF (A)	195	180	5.3	70	24.5	35.5	250	117	80	99	130	60	19	3	47	114	105	15
Maxi																		
LFR...-D-MAXI-KF (A)	228	212	5.3	70	24.5	35.5	252	122	90	82	111	60	19	3	53	126	111	15
LFR...-D-DI-MAXI-KF (A)							275			105	135							

Note: This product conforms to ISO 1179-1 and ISO 228-1.

Datasheet LFR-KF

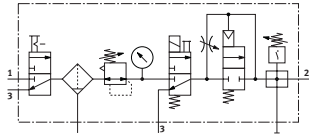
Ordering data

Rotary knob with latch, pressure gauge with outer scale in bar and inner scale in psi

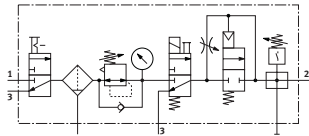
Size	Connection	Condensate drain		Condensate drain	
		Manual		Fully automatic	
		Part no.	Type	Part no.	Type
Mini	G1/8	185767	LFR-1/8-D-MINI-KF	185768	LFR-1/8-D-MINI-KF-A
	G1/4	185769	LFR-1/4-D-MINI-KF	185770	LFR-1/4-D-MINI-KF-A
Midi	G1/4	185771	LFR-1/4-D-MIDI-KF	185772	LFR-1/4-D-MIDI-KF-A
	G3/8	185773	LFR-3/8-D-MIDI-KF	185774	LFR-3/8-D-MIDI-KF-A
	G1/2	185775	LFR-1/2-D-MIDI-KF	185776	LFR-1/2-D-MIDI-KF-A
Maxi	G1/2	186049	LFR-1/2-D-MAXI-KF	186050	LFR-1/2-D-MAXI-KF-A
	G3/4	185777	LFR-3/4-D-MAXI-KF	185778	LFR-3/4-D-MAXI-KF-A
Directly actuated pressure regulator with integrated return flow function					
Maxi	G1/2	192445	LFR-1/2-D-DI-MAXI-KF	192459	LFR-1/2-D-DI-MAXI-KF-A
	G3/4	192452	LFR-3/4-D-DI-MAXI-KF	192466	LFR-3/4-D-DI-MAXI-KF-A

Datasheet LFR-KG

LFR...-MINI/MIDI-KG
With condensate drain
Manual



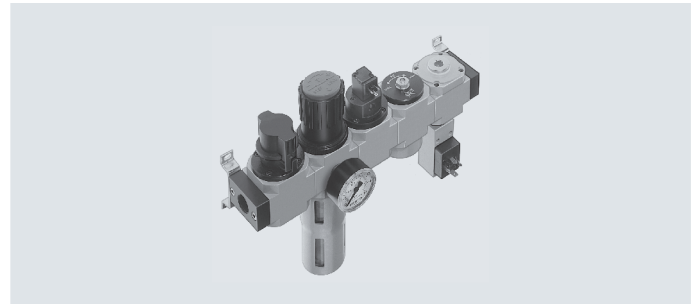
LFR...-MAXI-KG
With condensate drain
Manual



- On/off valve HE, manually operated
- Filter regulator LFR
- On/off valve HEE, electrically actuated, 24 V DC
- Soft-start valve HEL, pneumatically actuated
- Branching module FRM with pressure switch
- Mounting accessories

- Flow rate
575 ... 4900 l/min
- Temperature range
-10 ... +60°C
- Operating pressure
0.3 ... 1.6 MPa

www.festo.com



- For unlubricated compressed air
- An additional quick exhaust valve is required at the service unit outlet for safe exhausting of the system
- Two branch connections are available
- Gradual pressure build-up at switch-on prevents sudden, unpredictable movements
- Electrical pressure monitoring with adjustable switching pressure
- New filter cartridges → page 48

General technical data		Mini		Midi			Maxi	
Size		G1/8	G1/4	G1/4	G3/8	G1/2	G1/2	G3/4
Pneumatic connection 1, 2		G1/8	G1/4	G1/4	G3/8	G1/2	G1/2	G3/4
Type of mounting		With accessories In-line installation						
Mounting position		Vertical ±5°						
Grade of filtration [µm]		40						
Air purity class at the output		Compressed air to ISO 8573-1:2010 [7:8:4], (compressed air to ISO 8573-1:2010 [6:8:4]) ¹⁾ Inert gases						
Bowl guard		Metal bowl guard						
Condensate drain		Manual Fully automatic						
Actuator lock		Rotary knob with latch Rotary knob with integrated lock						
Pressure regulation range	[MPa]	0.25 ... 1.2						
	[bar]	2.5 ... 12						
	[psi]	36.25 ... 174						
Max. pressure hysteresis	[MPa]	0.015	0.015	0.025	0.02	0.02	0.025	0.025
	[bar]	0.15	0.15	0.25	0.2	0.2	0.25	0.25
	[psi]	2.175	2.175	3.625	2.9	2.9	3.625	3.625
Pressure indicator		With pressure gauge						
Max. condensate volume [cm ³]		22		43			80 (43) ¹⁾	

1) With the LFR...-D-DI.

† Note: This product conforms to ISO 1179-1 and ISO 228-1.

Standard nominal flow rate q_{n1} ¹⁾ [l/min]		Mini		Midi			Maxi	
Connection		G1/8	G1/4	G1/4	G3/8	G1/2	G1/2	G3/4
In main flow direction 1 → 2		575	715	1370	1680	1740	4200 (2500) ²⁾	4900 (3000) ²⁾

1) Measured at p₁ = 10 bar, p₂ = 6 bar and Δp = 1 bar.

2) With the LFR...-D-DI.

† 125 l/min must be available for the fully automatic condensate drain to close correctly.


Datasheet LFR-KG

Operating and environmental conditions		Manual	Fully automatic
Condensate drain			
Operating pressure	[MPa]	0.3 ... 1.6	0.3 ... 1.2
	[bar]	3 ... 16	3 ... 12
	[psi]	43.5 ... 232	43.5 ... 174
Operating medium		Compressed air to ISO 8573-1:2010 [-:-:-]	
		Inert gases	
Ambient temperature	[°C]	-10 ... +60	
Temperature of medium	[°C]	-10 ... +60	
Corrosion resistance class CRC ¹⁾		2 - Moderate corrosion stress	
LABS (PWIS) conformity		VDMA24364-B1/B2-L	

1) More information www.festo.com/x/topic/crc

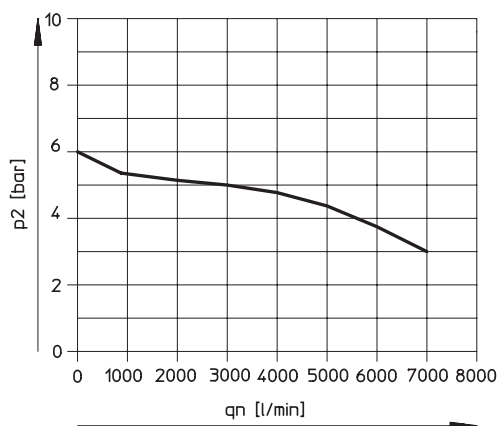
Weight [g]			
Size	Mini	Midi	Maxi
LFR	1500	3400	5200 (5400) ¹⁾

1) With the LFR...-D-DI.

 **Note**
Materials → Datasheet for the individual components

Standard flow rate q_n as a function of output pressure p_2

LFR-1/2-D-DI-MAXI-KG(-A)



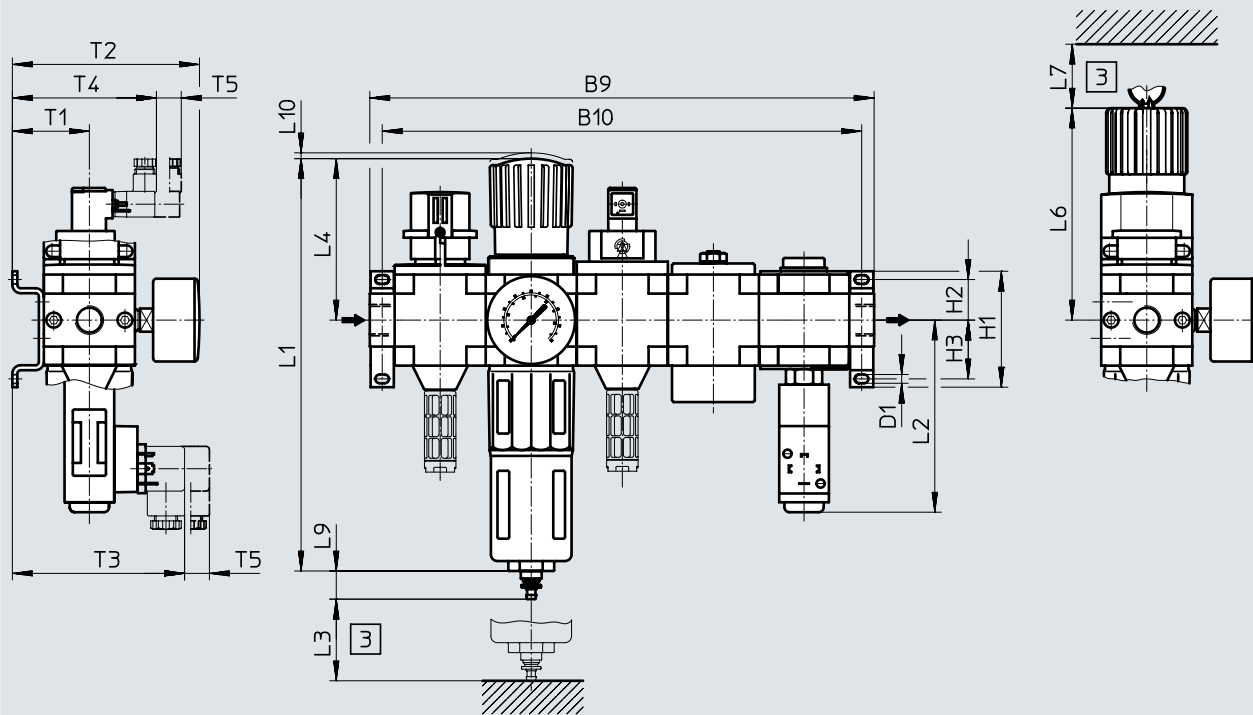
Primary pressure $p_1 = 10$ bar

Datasheet LFR-KG

Dimensions

LFR...-KG

Download CAD data → www.festo.com



[3] Installation dimension

→ Flow direction

Type	B9	B10	D1	H1	H2	H3	L1	L2	L3	L4	L6	L7	L9	L10	T1	T2	T3	T4	T5
Mini																			
LFR...-D-MINI-KG (A)	224	212	4.3	43	17.5	17.5	193	108	60	68	98	60	19	3	39	95	97	78	15
Midi																			
LFR...-D-MIDI-KG (A)	305	290	5.3	70	24.5	35.5	250	117	80	99	130	60	19	3	47	114	105	86	15
Maxi																			
LFR...-D-MAXI-KG (A)	360	344	5.3	70	24.5	35.5	252	122	90	82	111	60	19	3	53	126	111	92	15
LFR...-D-DI-MAXI-KG (A)							275			105	135								

† Note: This product conforms to ISO 1179-1 and ISO 228-1.

Datasheet LFR-KG

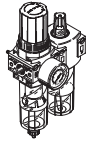
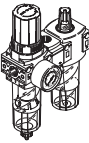
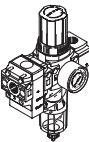
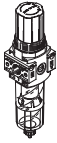

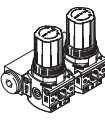

Ordering data

Rotary knob with latch, pressure gauge with outer scale in bar and inner scale in psi

Size	Connection	Condensate drain		Condensate drain	
		Manual		Fully automatic	
		Part no.	Type	Part no.	Type
Mini	G1/8	185779	LFR-1/8-D-MINI-KG	185780	LFR-1/8-D-MINI-KG-A
	G1/4	185781	LFR-1/4-D-MINI-KG	185782	LFR-1/4-D-MINI-KG-A
Midi	G1/4	185783	LFR-1/4-D-MIDI-KG	185784	LFR-1/4-D-MIDI-KG-A
	G3/8	185785	LFR-3/8-D-MIDI-KG	185786	LFR-3/8-D-MIDI-KG-A
	G1/2	185787	LFR-1/2-D-MIDI-KG	185788	LFR-1/2-D-MIDI-KG-A
Maxi	G1/2	186051	LFR-1/2-D-MAXI-KG	186052	LFR-1/2-D-MAXI-KG-A
	G3/4	185789	LFR-3/4-D-MAXI-KG	185790	LFR-3/4-D-MAXI-KG-A
Directly actuated pressure regulator with integrated return flow function					
Maxi	G1/2	192446	LFR-1/2-D-DI-MAXI-KG	192460	LFR-1/2-D-DI-MAXI-KG-A
	G3/4	192453	LFR-3/4-D-DI-MAXI-KG	192467	LFR-3/4-D-DI-MAXI-KG-A

Datasheet LFR-KG

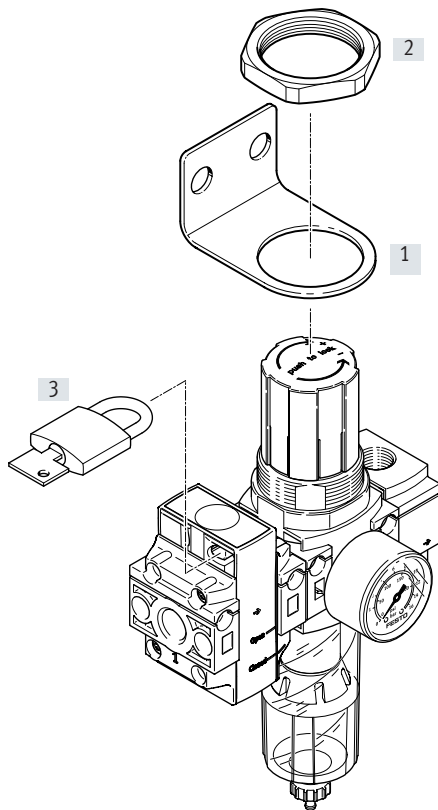
Product range overview – Service unit components, D series, polymer


Type	Size	Pneumatic connection		Pressure regulation range [bar]	Grade of filtration [µm]		
		G1/4	G1/2		5	40	
Service units							
FRC		Mini	■	-	■	■	■
Service unit combinations							
FRC-K		Mini	■	-	■	-	■
LFR-K		Mini	■	-	■	-	■
Individual devices							
Filter regulators LFR		Mini	■	-	■	■	■
Pressure regulators LR		Mini	■	-	■	-	-
Pressure regulator manifolds LRB-K		Mini	-	■	■	-	-
On/off valves HE		Mini	■	-	-	-	-

Product range overview – Service unit components, D series, polymer

Type	Size	Condensate drain		Pressure indicator		Actuator lock	Regulating functions		→ Page/ Internet
		Manual	Semi-automatic	With pressure gauge	Without pressure gauge		With secondary exhausting	With return flow function	
Service units									
FRC	Mini	■	■	■	-	■	■	■	frc
Service unit combinations									
FRC-K	Mini	■	-	■	-	■	■	■	frc
LFR-K	Mini	■	-	■	-	■	■	■	40
Individual devices									
Filter regulators LFR	Mini	■	■	■	■	■	■	■	lfr
Pressure regulators LR	Mini	-	-	■	■	■	■	■	lr
Pressure regulator manifolds LRB-K	Mini	-	-	-	■	■	■	■	lrb
On/off valves HE	Mini	-	-	-	■	-	-	-	he

Peripherals overview



 **Note**

The range of accessories depends on the service unit combination selected. The example shows the service unit combination LFR-KB.

Mounting attachments and accessories

		→ Page/Internet
[1]	Mounting bracket HR-D	hr-d
[2]	Hex nut HMR	hmr-d
[3]	Padlock LRVS	lrvs-d
-	Filter cartridge MS4-LFP-E	48

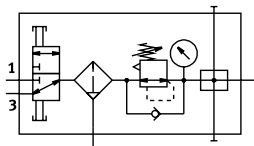
Type codes

001	Series
LFR	Filter regulator
002	Pneumatic connection
1/4	Female thread G1/4
003	Version
DB	D series, polymer
004	Pressure regulation range
7	0.5 ... 7 bar (0.05 ... 0.7 MPa)

005	Size
MINI	Grid dimension 40 mm (without connecting plates)
006	Service unit combination
KC	Manually operated on/off valve, filter regulator, branching module and lubricator
KB	Filter regulator, branching module with pressure switch and lubricator
007	Display unit
	Bar/psi/without
MPA	MPa

Datasheet LFR-KB

Function



- Manually operated on/off valve
- Filter regulator
- Distributor

- - Standard nominal flow rate
1900 l/min
- - Temperature range
-5 ... +50°C
- - Operating pressure
1.5 ... 10 bar
(0.15 ... 1 MPa)



- For unlubricated compressed air
- The operating pressure can be switched on or off
- Three connections are available
- New filter cartridges → page 48

General technical data	
Size	Mini
Pneumatic connection 1, 2, 3	G1/4
Design	On/off valve-filter regulator-distributor module
Regulator function	Output pressure constant, without primary pressure compensation, with return flow, with secondary venting
Type of mounting	In-line installation Via through-hole With mounting bracket
Mounting position	Vertical ±5°
Grade of filtration [µm]	40
Air purity class at the output	Compressed air to ISO 8573-1:2010 [7:8:4]
Condensate drain	Manual
Actuator lock	Rotary knob with latch Padlock (optional)
Exhaust function	Cannot be throttled
Pressure regulation range [bar]	0.5 ... 7 (0.05 ... 0.7 MPa)
Max. pressure hysteresis [bar]	0.5 (0.05 MPa)
Pressure indicator	With pressure gauge
Pressure gauge connection	G1/8
Max. condensate volume [ml]	13

Flow rates [l/min]	
Standard nominal flow rate $q_{nN}^{1)}$	1900
Max. standard flow rate	2500

1) Measured at $p_1 = 10$ bar, $p_2 = 6$ bar and $\Delta p = 1$ bar.

Note
Minor leakage at the output is intended by design. It improves the control behaviour of the regulator which is not compensated for input pressure.
In rare cases, however, the leakage can be up to 500 l/h.

Datasheet LFR-KB

Operating and environmental conditions		
Operating pressure	[bar]	1.5 ... 10 (0.15 ... 1 MPa)
Operating medium		Compressed air to ISO 8573-1:2010 [7:9:4]
Note on the operating/pilot medium		Lubricated operation not possible
Ambient temperature	[°C]	-5 ... +50
Temperature of medium	[°C]	-5 ... +50
Storage temperature	[°C]	-5 ... +50
Corrosion resistance class CRC ¹⁾		1 - Low corrosion stress

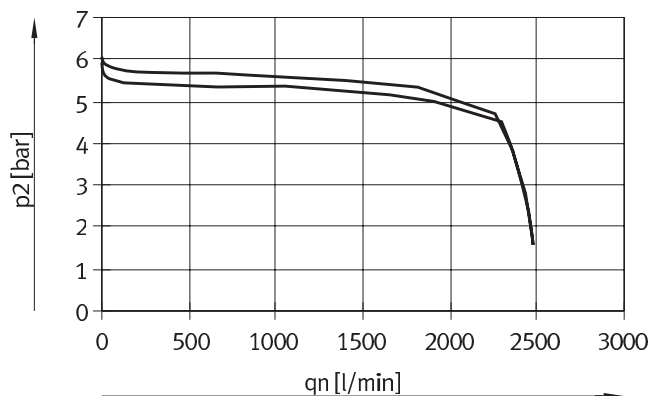
1) More information www.festo.com/x/topic/crc.

Weight [g]	
Service unit	270

Materials	
Housing	Reinforced PA
Piston spool	POM
Bowl	PC
Rotary knob	POM
Filters	PE
Seals	NBR
On/off valve seals	FPM
Note on materials	RoHS-compliant
PWIS conformity	VDMA24364-B1/B2-L

Standard flow rate q_n as a function of output pressure p_2

LFR-1/4-DB-7-MINI-KB



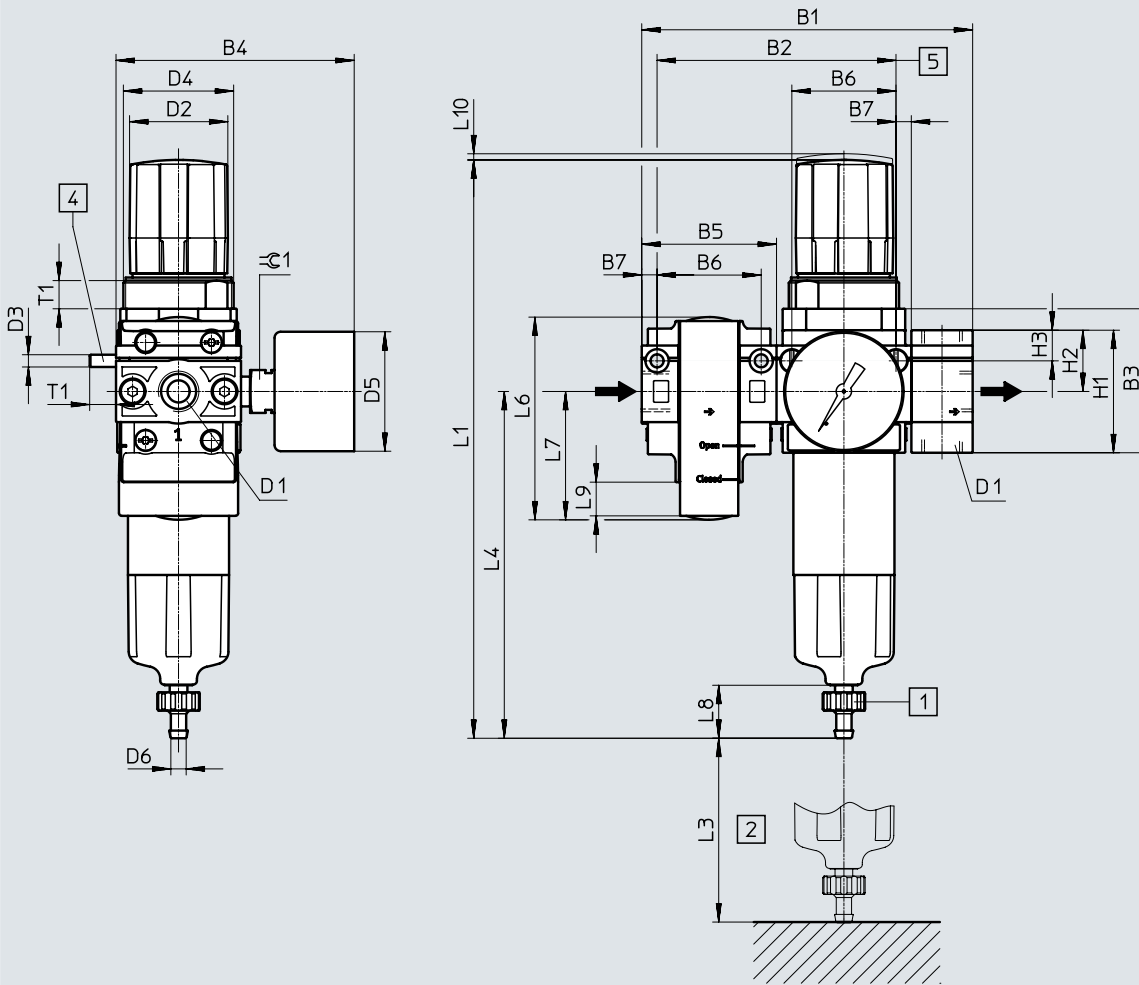
Input pressure $p_1 = 10$ bar

Datasheet LFR-KB

Dimensions

Download CAD data → www.festo.com

Mini



[1] Barbed connector for plastic tubing PUN(-H)-8x1.25
[2] Installation dimension

[4] Socket head screw M4 for wall mounting (2 included in the scope of delivery)

[5] Recommended through-holes for wall mounting via socket head screws

→ Flow direction

Type	D1	B1	B2	B3	B4	B5	B6	B7	D2 ∅	D3	D4	D5 ∅	D6 ∅
LFR-1/4-DB	G1/4	108	78	47	78	44	34	5	32	M4	M36x1.5	39	5.6

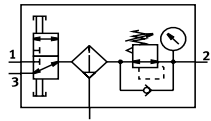
Type	H1	H2	H3	L1	L3 min.	L4	L6	L7	L8	L9	L10	T1	≠ 1
LFR-1/4-DB	40	20	10	189	60	113	66	42	17	11	2	9	14

Ordering data

Condensate drain	Size	Connection	Grade of filtration 40 µm	
			Part no.	Type
Pressure gauge with outer scale in bar and inner scale in psi				
Manual	Mini	G1/4	8002798	LFR-1/4-DB-7-MINI-KB
Pressure gauge with outer scale in MPa and inner scale in bar				
Manual	Mini	G1/4	3339283	LFR-1/4-DB-7-MINI-KB-MPA

Datasheet LFR-KC

Function



- Manually operated on/off valve
- Filter regulator

- - Standard nominal flow rate
1900 l/min
- - Temperature range
-5 ... +50°C
- - Operating pressure
1.5 ... 10 bar
(0.15 ... 1 MPa)



- For unlubricated compressed air
- The operating pressure can be switched on or off
- New filter cartridges → page 48

General technical data	
Size	Mini
Pneumatic connection 1, 2	G1/4
Design	On/off valve-filter regulator
Regulator function	Output pressure constant, without primary pressure compensation, with return flow, with secondary venting
Type of mounting	In-line installation Via through-hole With mounting bracket
Mounting position	Vertical ±5°
Grade of filtration [μm]	40
Air purity class at the output	Compressed air to ISO 8573-1:2010 [7:8:4]
Condensate drain	Manual
Actuator lock	Rotary knob with latch Padlock (optional)
Exhaust function	Cannot be throttled
Pressure regulation range [bar]	0.5 ... 7 (0.05 ... 0.7 MPa)
Max. pressure hysteresis [bar]	0.5 (0.05 MPa)
Pressure indicator	With pressure gauge
Pressure gauge connection	G1/8
Max. condensate volume [ml]	13

Flow rates [l/min]	
Standard nominal flow rate $q_{nN}^{1)}$	1900
Max. standard flow rate	2500

1) Measured at $p_1 = 10$ bar, $p_2 = 6$ bar and $\Delta p = 1$ bar.

- **Note**

Minor leakage at the output is intended by design. It improves the control behaviour of the regulator which is not compensated for input pressure. In rare cases, however, the leakage can be up to 500 l/h.

Datasheet LFR-KC

Operating and environmental conditions

Operating pressure [bar]	1.5 ... 10 (0.15 ... 1 MPa)
Operating medium	Compressed air to ISO 8573-1:2010 [7:9:4]
Note on the operating/pilot medium	Lubricated operation not possible
Ambient temperature [°C]	-5 ... +50
Temperature of medium [°C]	-5 ... +50
Storage temperature [°C]	-5 ... +50
Corrosion resistance class CRC ¹⁾	1 - Low corrosion stress

1) More information www.festo.com/x/topic/crc.

Weight [g]

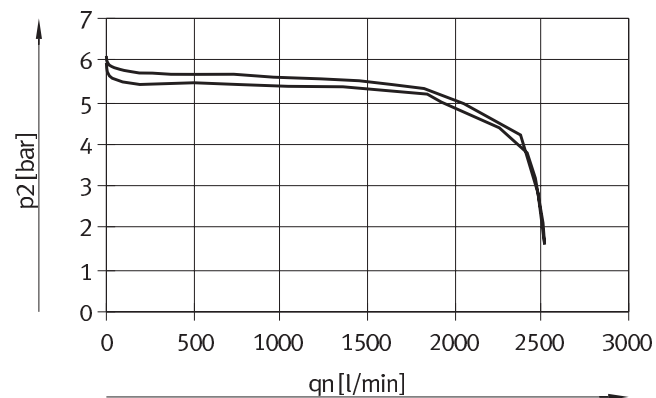
Service unit	245
--------------	-----

Materials

Housing	Reinforced PA
Piston spool	POM
Bowl	PC
Rotary knob	POM
Filters	PE
Seals	NBR
On/off valve seals	FPM
Note on materials	RoHS-compliant
Conformidad PWIS	VDMA24364-B1/B2-L

Standard flow rate q_n as a function of output pressure p_2

LFR-1/4-DB-7-MINI-KC



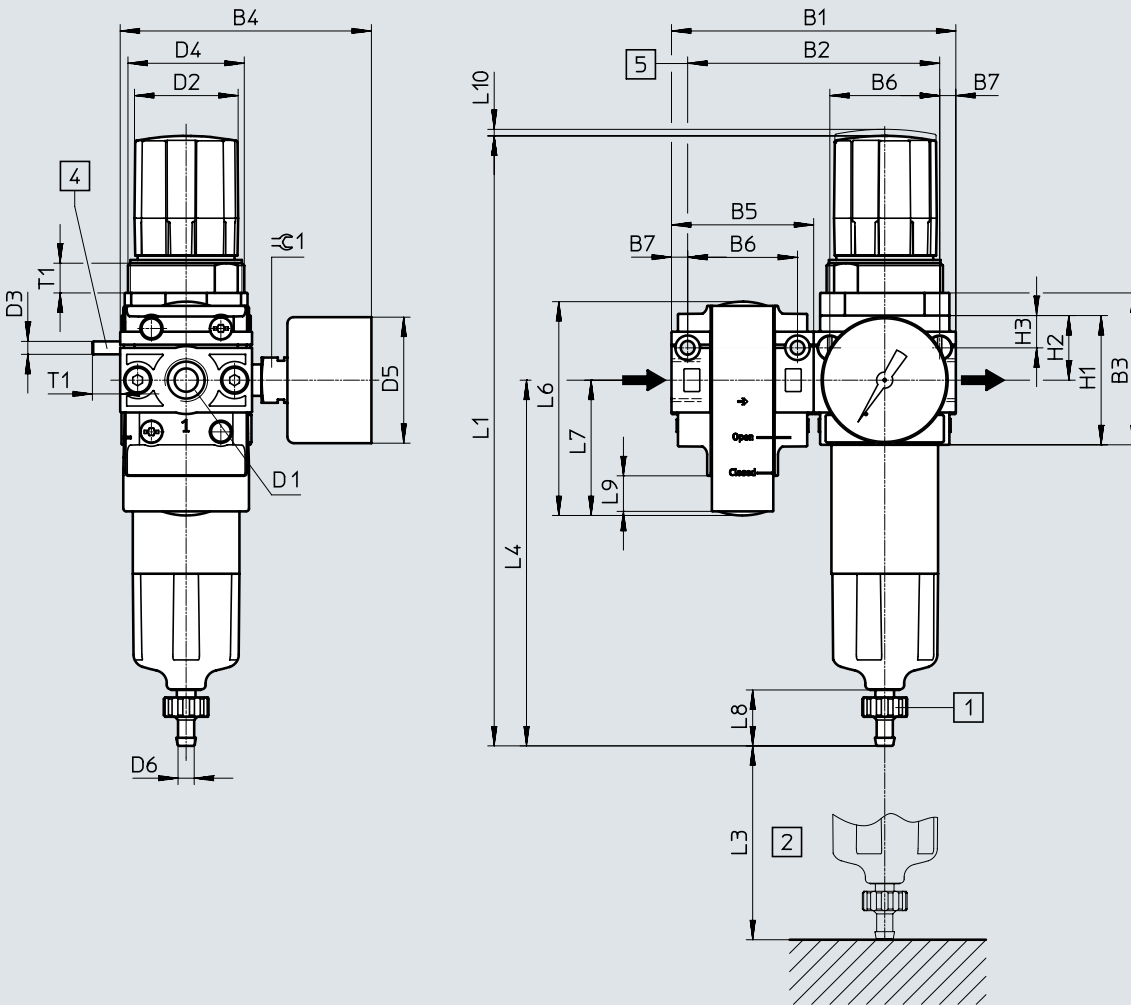
Input pressure $p_1 = 10$ bar

Datasheet LFR-KC

Dimensions

Download CAD data → www.festo.com

Mini



- [1] Barbed connector for plastic tubing PUN(-H)-8x1.25
- [2] Installation dimension
- [4] Socket head screw M4 for wall mounting (2 included in the scope of delivery)
- [5] Recommended through-holes for wall mounting via socket head screws
- Flow direction

Type	D1	B1	B2	B3	B4	B5	B6	B7	D2 ∅	D3	D4	D5 ∅	D6 ∅
LFR-1/4-DB	G1/4	88	78	47	78	44	34	5	32	M4	M36x1.5	39	5.6

Type	H1	H2	H3	L1	L3 min.	L4	L6	L7	L8	L9	L10	T1	≅ 1
LFR-1/4-DB	40	20	10	189	60	113	66	42	17	11	2	9	14

Ordering data

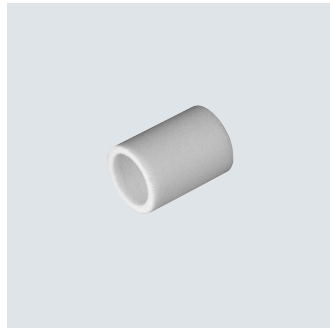
Condensate drain	Size	Connection	Grade of filtration 40 µm	
			Part no.	Type

Pressure gauge with outer scale in bar and inner scale in psi				
Manual	Mini	G1/4	8002799	LFR-1/4-DB-7-MINI-KC

Pressure gauge with outer scale in MPa and inner scale in bar				
Manual	Mini	G1/4	3339285	LFR-1/4-DB-7-MINI-KC-MPA

Accessories

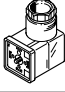
Filter cartridges, D series, polymer




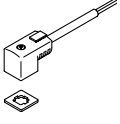
Ordering data

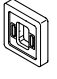
Size	Grade of filtration [μm]	Part no.	Type
Mini	40	534502	MS4-LFP-E

Accessories

Ordering data – Angled plug socket PEV							Datasheets → Internet: pev-1/4
	Description	Operating voltage range	Electrical connection	Switching status indication	Part no.	Type	
	For PEV-1/4-...-OD	15 ... 30 V DC	4-pin	Yellow LED	164274	PEV-1/4-WD-LED-24	
		≤ 230 V AC ≤ 180 V DC	4-pin	Yellow LED	164275	PEV-1/4-WD-LED-230	

Ordering data – Plug socket MSSD							Datasheets → Internet: mssd
	Description	Operating voltage range	Electrical connection	Type of mounting for cable connection	Part no.	Type	
	For PEV-1/4-...-OD	≤ 250 V AC/DC	3-pin	Clamping screws	171157	MSSD-C-4P	
	For on/off valve HEE	≤ 250 V AC/DC	3-pin	Clamping screws	151687	MSSD-EB	
			4-pin	Insulation displacement technology	192745	MSSD-EB-S-M14	

Ordering data – Plug socket with cable KMEB							Datasheets → Internet: kmeb
	Description	Operating voltage	Electrical connection	Switching status indication	Cable length [m]	Part no.	Type
	For on/off valve HEE	24 V DC	3-pin	LED	2.5	151688	KMEB-1-24-2.5-LED
					5	151689	KMEB-1-24-5-LED
					10	193457	KMEB-1-24-10-LED
		230 V AC	3-pin	-	2.5	151690	KMEB-1-230AC-2.5
					5	151691	KMEB-1-230AC-5

Ordering data – Illuminating seal MEB-LD							Datasheets → Internet: meb
	Description	Operating voltage range			Part no.	Type	
	For plug socket with cable KMEB and plug socket MSSD-EB	12 ... 24 V DC			151717	MEB-LD-12-24DC	
		230 V DC/AC ±10%			151718	MEB-LD-230AC	