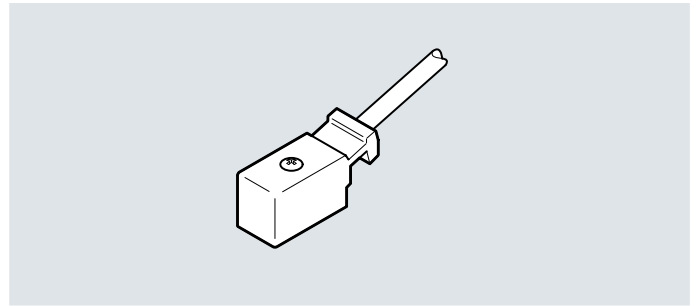


Datasheet

Connecting cable KMYZ-2

- Connecting cable for valves with ZB solenoid coils
- Pre-assembled
- Cable lengths 0.5 to 10 m



General technical data		
Type	KMYZ-2-24	KMYZ-2-24-M8
Electrical connection	Angled socket, 2-pin, square design	Angled socket, 2-pin, square design
	Open cable end	Straight plug, 3-pin, M8x1
Switching position indication	LED	
Nominal operating voltage [V DC]	24	
Acceptable current load at 40°C [A]	1	
Cable composition [mm ²]	2x0.25	
Cable diameter [mm]	3.4	
Protective earth connection	Not provided	
Type of mounting	On solenoid valve via self-tapping screw	
Mounting position	Any	
Degree of protection	IP65	
Protective earth connection	Not provided	
Cable characteristic	Standard	

Materials	
Housing	PA
Pin contact	Bronze
Cable sheath	TPE-U(PUR)
Note on materials	RoHS-compliant
LABS (PWIS) conformity	VDMA24364-B2-L

Operating and environmental conditions	
Ambient temperature [°C]	-10 ... +50
Corrosion resistance class CRC ¹⁾	2
CE marking (see declaration of conformity) ²⁾	To EU RoHS Directive
UKCA marking (see declaration of conformity) ²⁾	To UK RoHS regulations

1) Corrosion resistance class CRC 1 to Festo standard FN 940070

Low corrosion stress. Dry internal application or transport and storage protection. Also applies to parts behind covers, in the non-visible interior area, or parts that are covered in the application (e.g. drive trunnions).

2) For information about the area of use, see the EC declaration of conformity at: www.festo.com/catalogue/... → Support/Downloads.

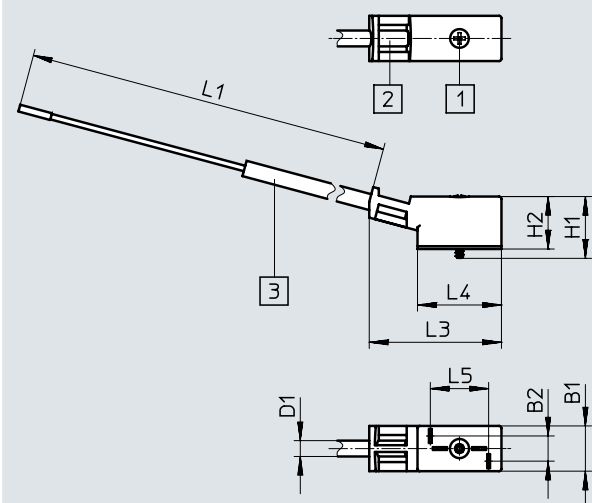
If the devices are subject to usage restrictions in residential, commercial or light-industrial environments, further measures for the reduction of the emitted interference may be necessary.

Datasheet

Dimensions

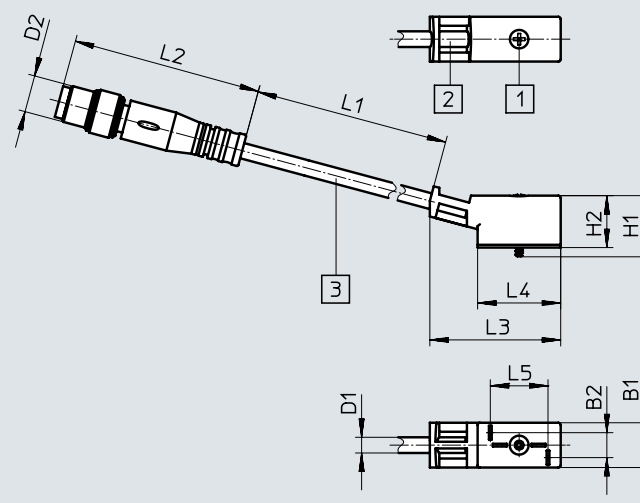
Download CAD data → www.festo.com

KMYZ-2-24



- [1] Self-tapping screw
- [2] Slot for inscription label
IBS-6x10 (not included in the scope of delivery)
- [3] 2-core cable

KMYZ-2-24-M8



- [1] Self-tapping screw
- [2] Slot for inscription label
IBS-6x10 (not included in the scope of delivery)
- [3] 2-core cable

Type	B1	B2	D1	D2	H1	H2	L1	L2	L3	L4	L5
KMYZ-2-24-2.5-LED	10	5	3.4	-	13	11	2500	-	28	18	13
KMYZ-2-24-5-LED							5000				
KMYZ-2-24-10-LED							10000				
KMYZ-2-24-M8-0.5-LED	10	5	3.4	M8	13	11	500	41	28	18	13
KMYZ-2-24-M8-2.5-LED							2500				

Ordering data

	Electrical connection	Maritime classification ¹⁾	Cable length	Weight	Part no.	Type
	Open cable end, 2-core	See certificate	2.5 m	50 g	34997	KMYZ-2-24-2.5-LED
			5 m	90 g	34998	KMYZ-2-24-5-LED
			10 m	170 g	193443	KMYZ-2-24-10-LED
	Straight plug, 3-pin, M8x1	-	0.5 m	18 g	177676	KMYZ-2-24-M8-0.5-LED
			2.5 m	54 g	177678	KMYZ-2-24-M8-2.5-LED

1) Additional information: www.festo.com/catalogue/... → Support/Downloads.

Ordering data – Accessories

	Description	Part no.	Type
	Inscription labels 6x10 mm, 64 pieces, in a frame	18576	IBS-6x10

Festo - Your Partner in Automation



1 Festo Inc.
5300 Explorer Drive
Mississauga, ON L4W 5G4
Canada

Festo Customer Interaction Center
Tel: 1 877 463 3786
Fax: 1 877 393 3786
Email: customer.service.ca@festo.com



2 Festo Pneumatic
Av. Ceylán 3,
Col. Tequesquináhuac
54020 Tlalneantla,
Estado de México

Multinational Contact Center
01 800 337 8669
ventas.mexico@festo.com



3 Festo Corporation
1377 Motor Parkway
Suite 310
Islandia, NY 11749

Festo Customer Interaction Center
1 800 993 3786
1 800 963 3786
customer.service.us@festo.com



4 Regional Service Center
7777 Columbia Road
Mason, OH 45040

Connect with us



www.festo.com/socialmedia



www.festo.com

Subject to change